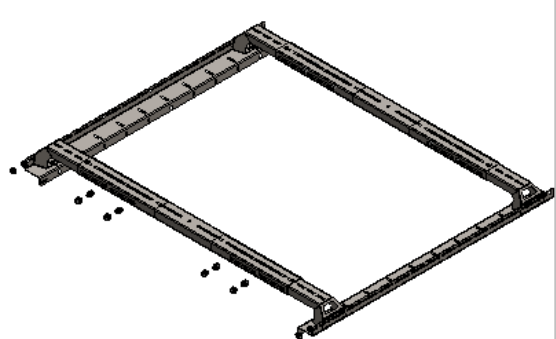


## RCI Low-Pro Bed Bar Installation Guide

ITEM NO.	PART NUMBER	DESCRIPTION	QTY.
1	SM-00690	12ga Tonneau Plate Z-bracket 52in	2
2	SM-00732	3.5in Bed Bar	4
3	SM-00358	14ga 12in Bedrack Tops R-1	2
4	HK-00115	BedBars-3.5in-x2-HK	1
4.1	HW-00037	5/16 USS FLAT WASHER ZINC	8
4.2	HW-00062	5/16-18 NYLON INSERT LOCK NUT	8
4.3	HW-00061	5/16-18 X 1 CARRIAGE BOLT GR-5	8
4.4	HW-00026	3/8 USS FLAT WASHER THRU HARD	16
4.5	HW-00029	3/8 SPLIT LOCK WASHER ZINC	16
4.6	HW-00030	3/8-16 FIN HEX NUT GR-5 ZINC	16
4.7	HW-00052	3/8-16 X 1 CARRIAGE BOLT GR-5	16
5	BX-00025	57x6x6 ECONO R.E. (BED RACK MASTER)	1



Depended on SKU/Item Ordered

<p><small>UNLESS OTHERWISE SPECIFIED:</small></p> <p><small>DIMENSIONS ARE IN INCHES</small></p> <p><small>FRACTIONAL: ± 0.10</small></p> <p><small>ANGULAR: BEND ± 0.5</small></p> <p><small>TWO PLACE DECIMAL ± 0.015</small></p> <p><small>THREE PLACE DECIMAL ± 0.010</small></p> <p><small>PROPRIETARY AND CONFIDENTIAL</small></p> <p><small>THE INFORMATION CONTAINED IN THIS DRAWING IS THE SOLE PROPERTY OF RCI OFFROAD. ANY REPRODUCTION IN PART OR AS A WHOLE WITHOUT THE WRITTEN PERMISSION OF RCI OFFROAD IS PROHIBITED.</small></p>	<table border="1" style="width: 100%; border-collapse: collapse;"> <thead> <tr> <th>DRAWN</th> <th>NAME</th> <th>DATE</th> </tr> </thead> <tbody> <tr> <td>KL</td> <td>KL</td> <td>02/26/24</td> </tr> <tr> <td>SOURCE</td> <td>Hitech</td> <td></td> </tr> </tbody> </table>	DRAWN	NAME	DATE	KL	KL	02/26/24	SOURCE	Hitech		<p><b>RCI OFFROAD</b></p> <p>TITLE: 3.5in x2 Bed Bar Ship</p> <table border="1" style="width: 100%; border-collapse: collapse;"> <tr> <td style="width: 30%;">Export Date</td> <td style="width: 30%;">Item Number</td> <td style="width: 30%;">Sku</td> <td style="width: 10%;">REV</td> </tr> <tr> <td style="text-align: center;">4/1/2024</td> <td style="text-align: center;">BOM</td> <td></td> <td style="text-align: center;">1</td> </tr> </table> <p style="font-size: small; display: flex; justify-content: space-between;"> <span>DO NOT SCALE DRAWING</span> <span>SCALE: 1:20 WEIGHT:</span> <span>SHEET 1 OF 14</span> </p>	Export Date	Item Number	Sku	REV	4/1/2024	BOM		1
DRAWN	NAME	DATE																	
KL	KL	02/26/24																	
SOURCE	Hitech																		
Export Date	Item Number	Sku	REV																
4/1/2024	BOM		1																

## INSTALLATION STEPS:

**\*\*Use hand tools, impact wrenches may cause damage if over torqued\*\***

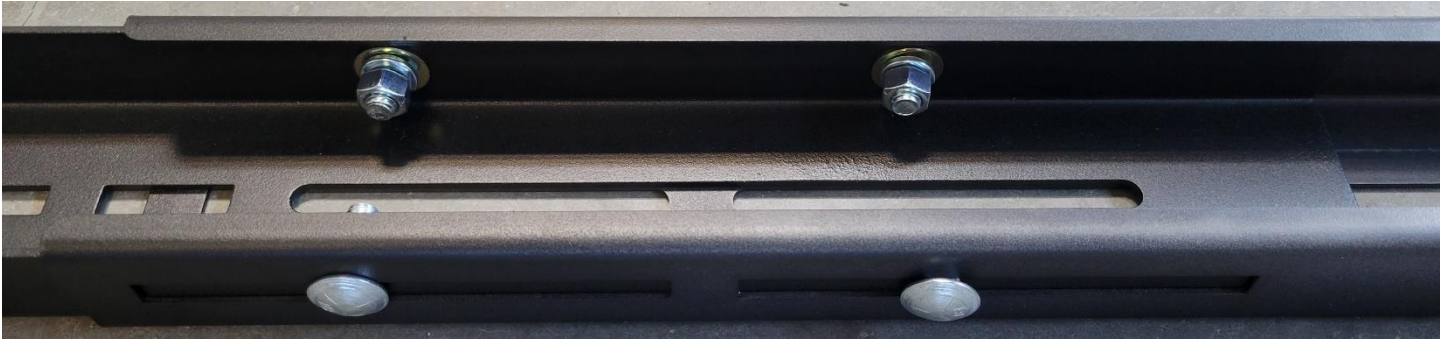
- 1) Begin by unpacking and removing all components and hardware. The RCI Tonneau Adapter Kit comes in several configurations; please confirm that all included components correspond with the kit ordered.
  - a. Thin mounting “Z Bracket”: The RCI Bed Bar kit comes in 3 length configurations (46”, 52”, 58”). Please verify that the Z brackets received correspond with the length of the bed bar kit ordered.
- 2) If a tonneau cover is already installed on the truck, please uninstall the tonneau cover.
- 3) Assemble the bed bars.



- a. Slide a bed bar leg into the bed bar adjustable crossmember.



- b. Loosely install four sets of 3/8" carriage bolts, washers, lock washers, and nuts through the side of the bed bar adjustable crossmember and bed bar leg.

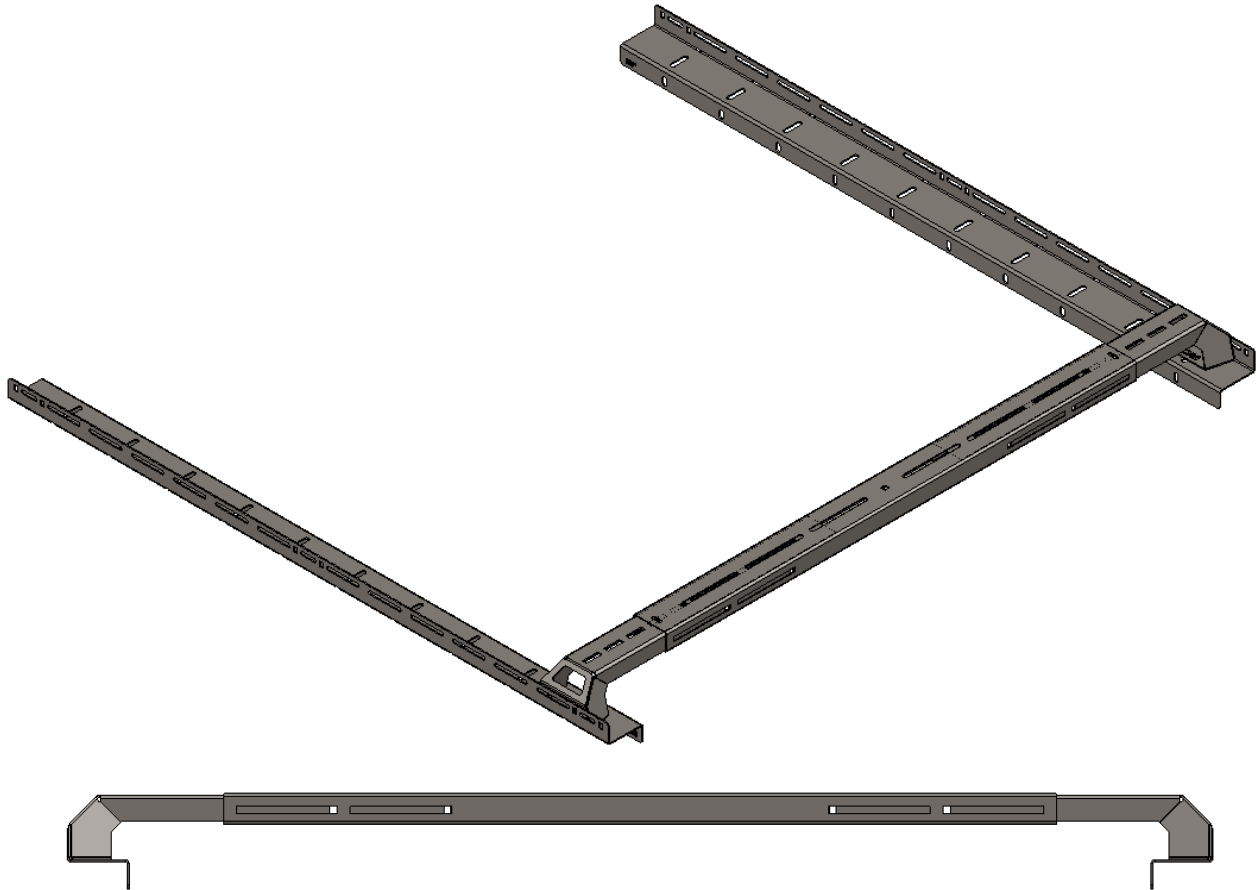


- c. Repeat for the opposite side of the bed bar adjustable crossmember.

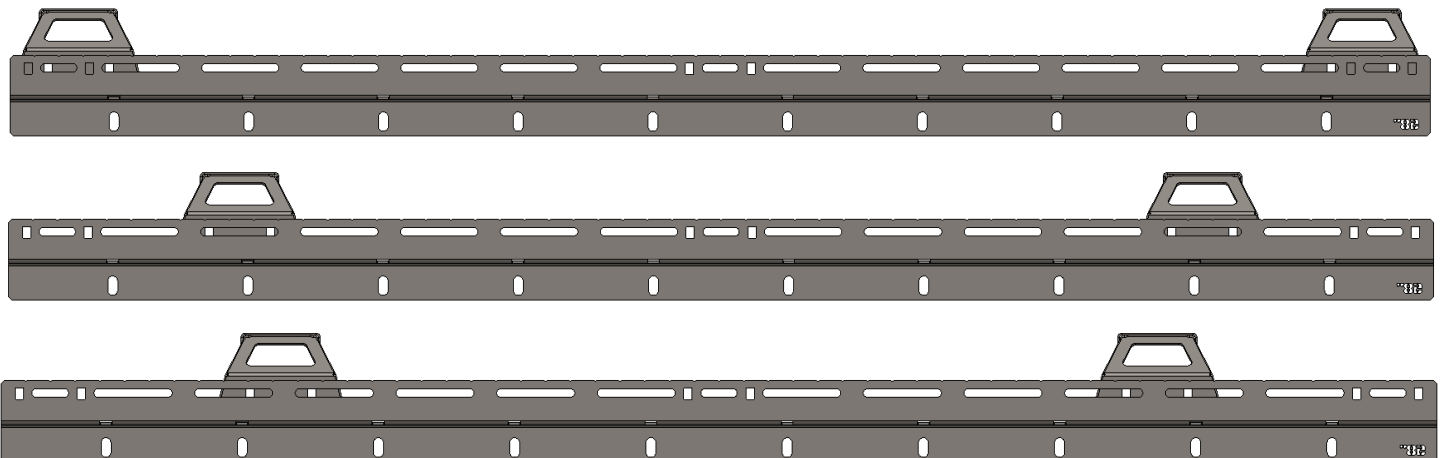


- d. Repeat for the remaining bed bar components.

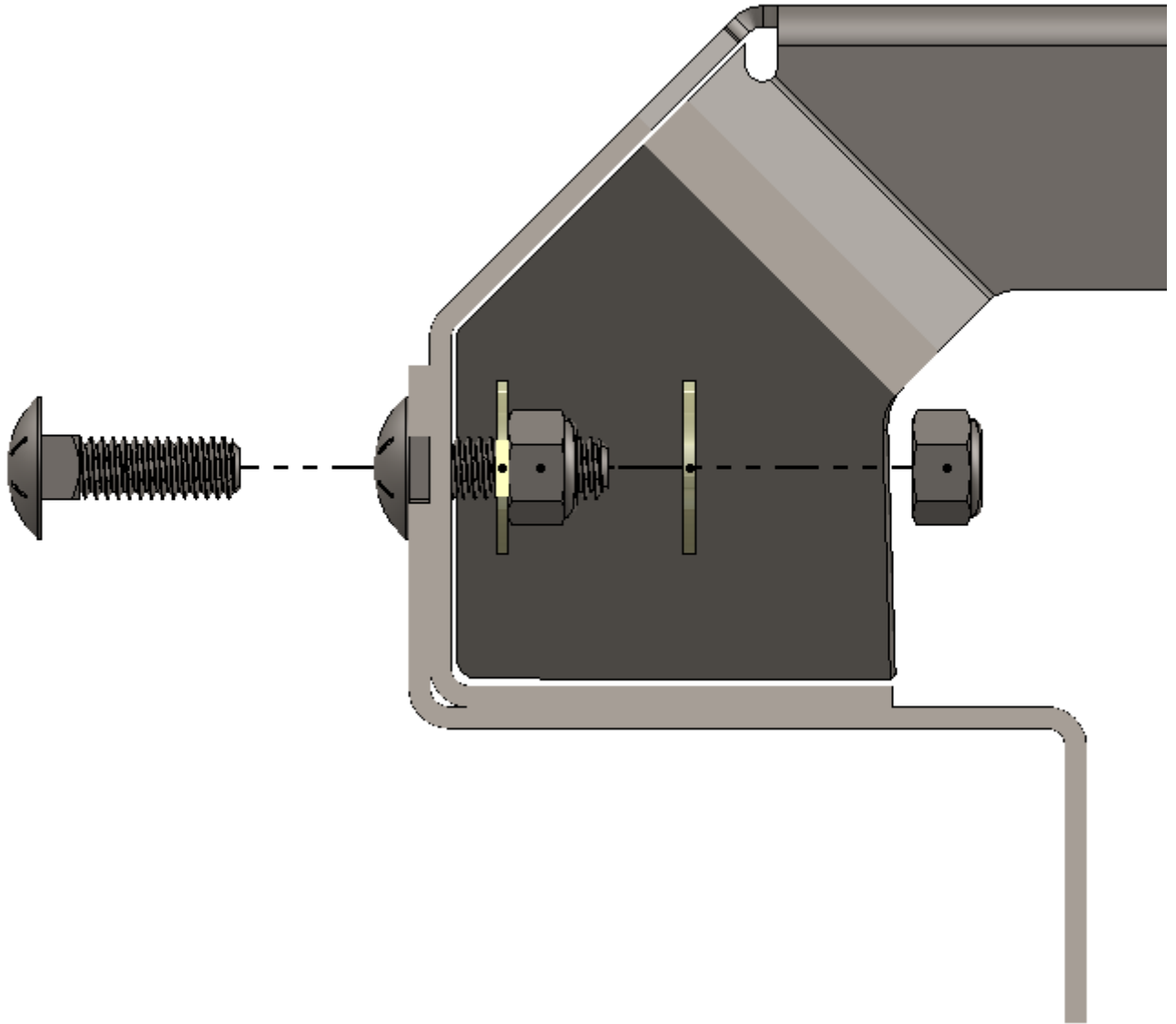
- 4) Install the bed bar assemblies on the Z-bracket mounting plates.
  - a. Place the completed bed bar assemblies on the Z-bracket mounting plates as desired.
    - i. Correct orientation of bed bars and Z-brackets:



- b. Align the two vertical slots of each bed bar leg with the desired slots of the Z-bracket mounting plates.



- c. Install two sets of 5/16" carriage bolts, washers, and nuts per bed bar leg.



- d. Verify desired bed bar locations and tighten 5/16" hardware.
- 5) Place the assembled bed bar and Z-bracket assembly on the bed rails of the vehicle.

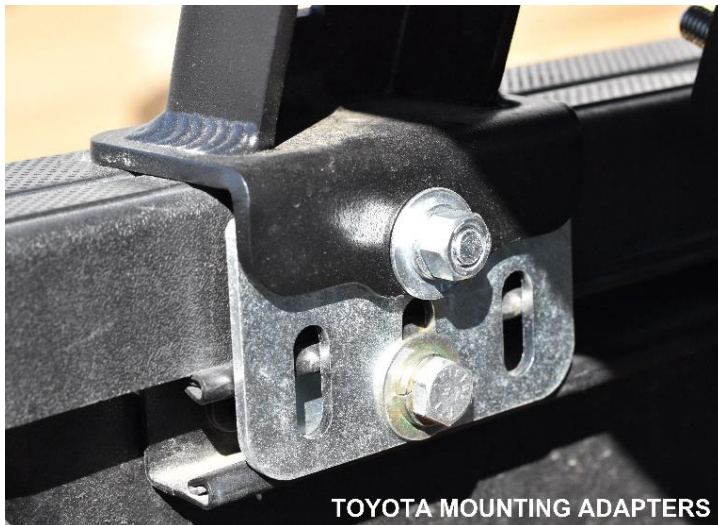


6) Find the appropriate mounting instructions below.

a. For use without a tonneau cover, follow the following standard mounting instructions:

i. For mounting with an RCI adapter plate, follow the following mounting instructions:

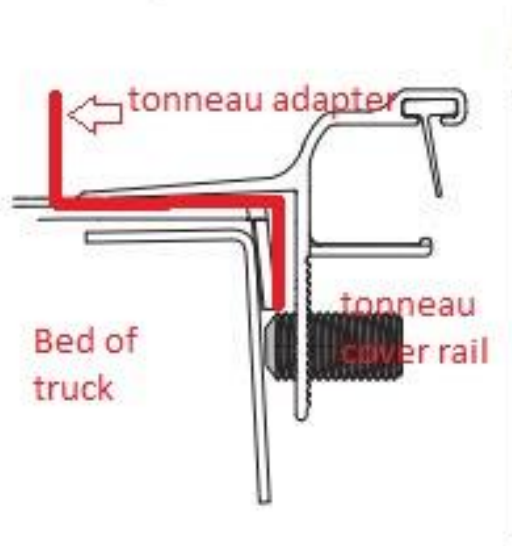
1. Lift one side of the bed bar and Z-bracket assembly to allow the adapter plates to be installed between the bed side and the Z-bracket.
2. Insert one of the included carriage bolts through the adapter plate and one of the slots in the lower vertical face of the Z-bracket. Loosely thread a washer, lock washer, and nut onto the exposed threads of the carriage bolt.
  - a. Adapters should be installed to the vertical slot closest to each of the bed bar legs.
3. Repeat this process for each of the included adapter plates.
4. Adjust the rack to the desired final mounting location on the bed of the vehicle.
5. Slide the included track nuts into the factory bed accessory rail, aligning one with each of the adapter plates.
6. Thread the remaining washers, lock washers, and bolts through their corresponding adapter plates and track nuts.
7. Verify final placement of the bed bar and Z-bracket assembly. Tighten all mounting hardware.



- ii. For mounting with an RCI C-clamp kit, follow the following mounting instructions:
  1. Loosen the bolt securing the two legs of the C-clamp.
  2. Wrap the longer leg of the C-clamp under the bed side.
  3. Lever the shorter leg of the C-clamp over the bed side and the Z-bracket within the leg of the bed bar.
  4. Push the C-clamp out towards the side of the bed until it contacts the vertical face of the Z-bracket.
  5. Tighten the bolt to secure the bed bar and Z-bracket assembly.
    - a. Do not over-torque the bolt to avoid stripping the aluminum C-clamps.
  6. Repeat steps 1 through 6 for the remaining bed bar legs.



- b. For use with a tonneau cover, follow the following instructions:
  - i. Adjust the assembled Tonneau Adapter Kit brackets on the bed rails to be as aligned with the mounting points of the tonneau cover as possible. Ensure that the Tonneau Adapter Kit brackets are evenly spaced on either side of the vehicle bed.
    1. Because the RCI Tonneau Adapters are secured by the clamping pressure of the tonneau cover and are not directly hard mounted to the vehicle, alignment of the Tonneau Adapter Kit assembly with the mounting points of the tonneau cover is critical for secure installation.
      - a. The RCI Tonneau Adapter Kit is intended for light use. If you intend to use the RCI Tonneau Adapter Kit off-road, particularly in high-stress/high dynamic load situations, secure the Tonneau Adapters to the bed rails utilizing the included slots on the vertical and horizontal faces of the Z brackets by drilling a hole and using your desired nut and bolt combo or self-threading bolts.
  - ii. Refer to the manufacturer's installation guide to install the tonneau cover with the Tonneau Adapters in place.



**\*\* Due to the high variability between tonneau cover systems, RCI accepts no responsibility for improper use and/or any damage that occurs due to insufficient or improper installation\*\***

7) Tighten all hardware.





**Enjoy your new RCI Low-Pro Bed Bars!**



**Share your new install with us on social media!**

**We love seeing our products out in the wild!**

[www.rcimetalworks.com](http://www.rcimetalworks.com)

[sales@rcioffroad.com](mailto:sales@rcioffroad.com)

970-797-3089



---

Disclaimer: The products sold by RCI Metalworks are intended for off-road use only, should not be modified, and are for use only on the vehicle(s) specifically stated. RCI Metalworks makes no warranties express or implied, including of fitness for a particular purpose or merchantability. RCI Metalworks will not be liable for any damages arising out of the use or misuse of its products. It is the customers' responsibility to ensure the products are safely and properly attached to the vehicle, and all products should be installed by trained professionals. We strive to maintain extremely high-quality standards; however, all RCI Metalworks products are individually handcrafted, may vary slightly, and may contain minor imperfections. Due to the nature of raw aluminum, the material may have minor scratches and other blemishes caused by the manufacturing process, especially on the back side of product. RCI Metalworks is constantly seeking to improve its products and reserves the right to make changes to any product.