

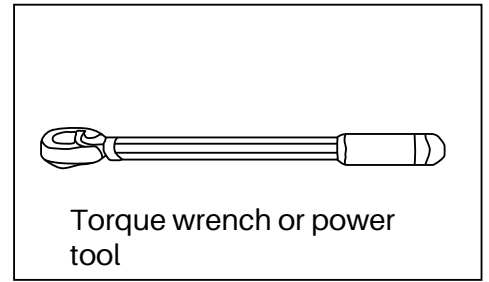
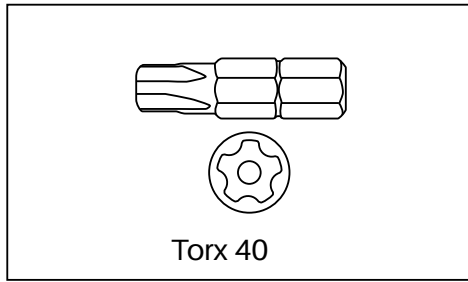
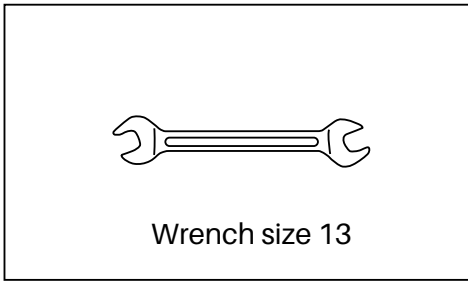


INSTRUCTION MANUAL

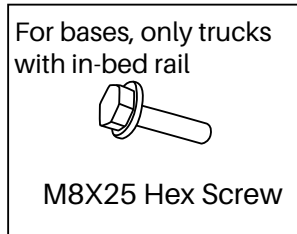
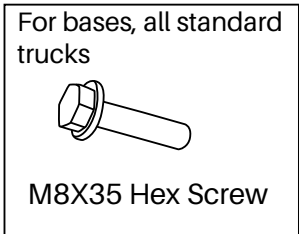
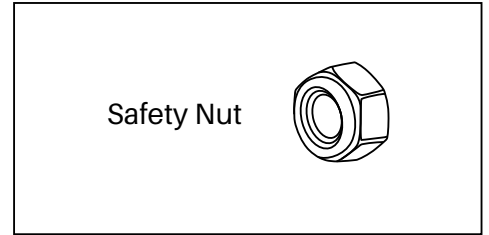
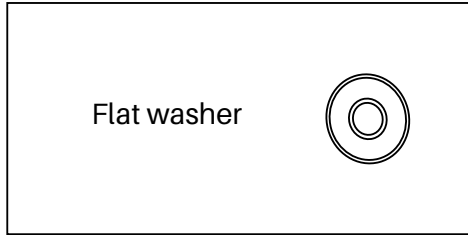
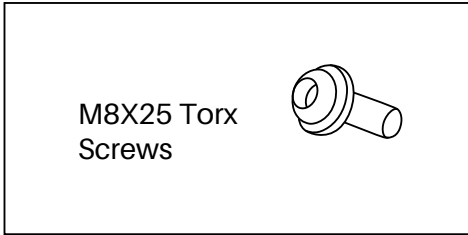
Shiprock Height Adjustable Bed Rack



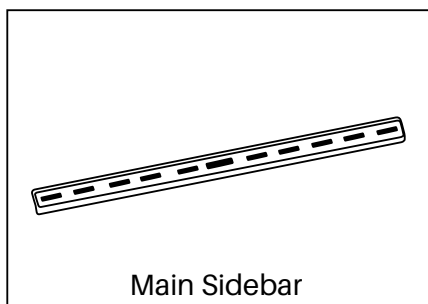
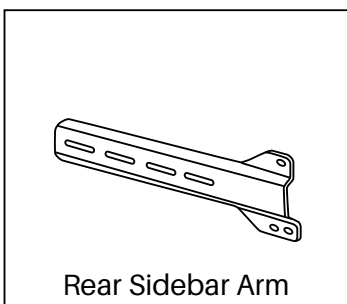
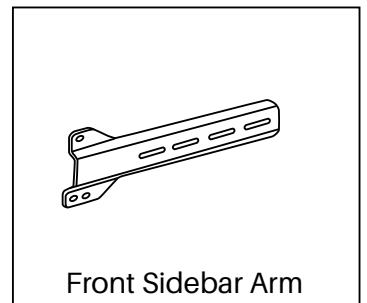
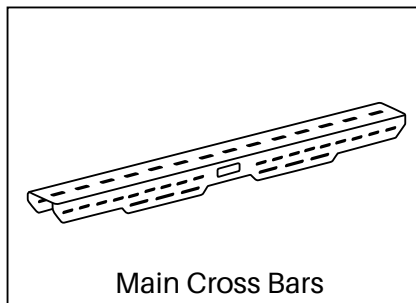
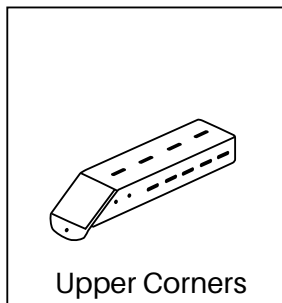
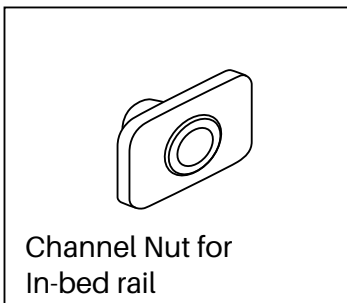
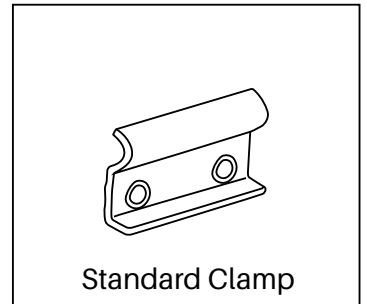
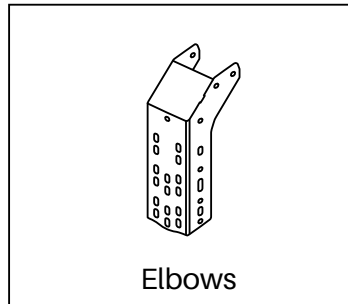
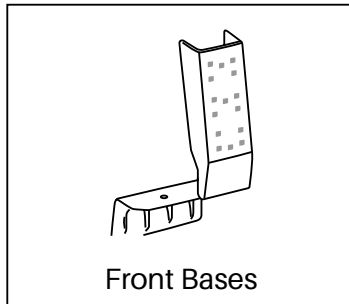
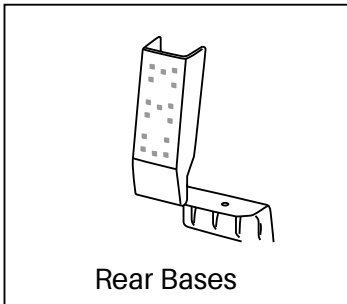
Tools needed



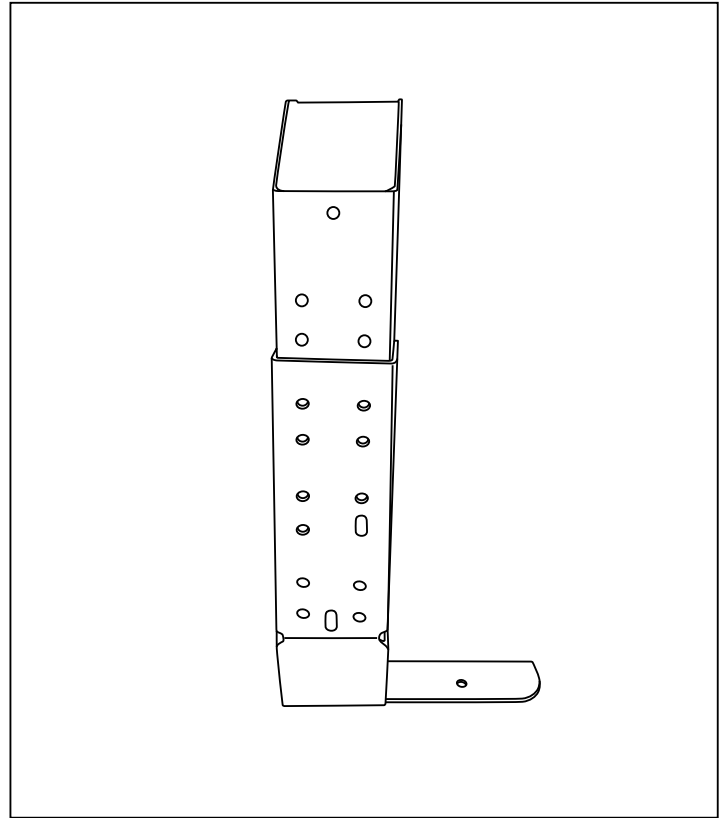
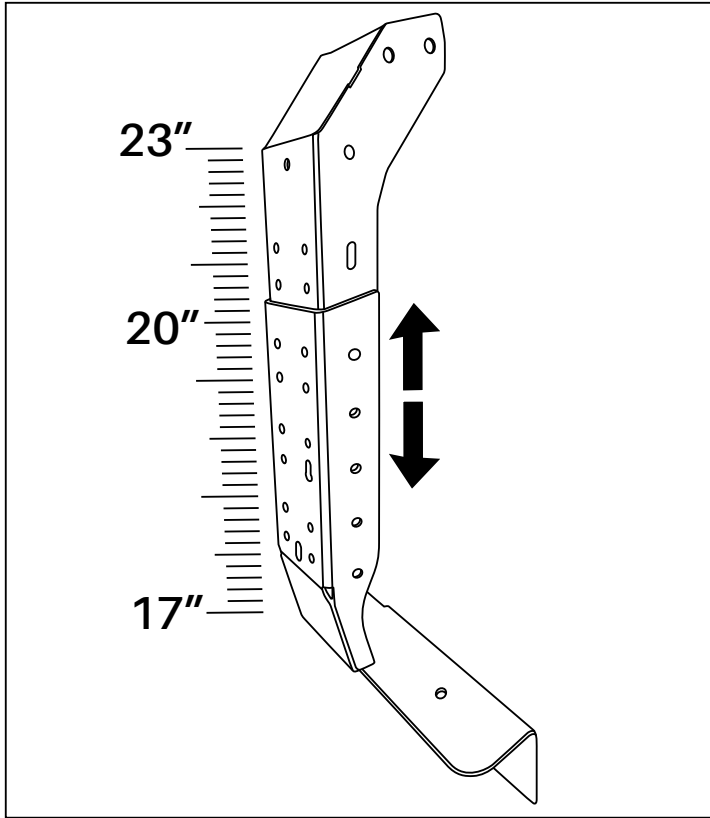
Hardware:



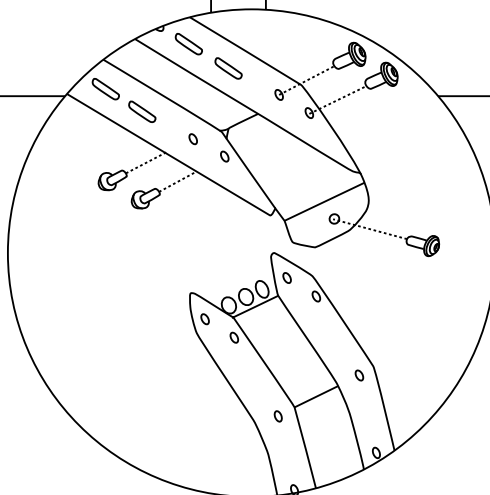
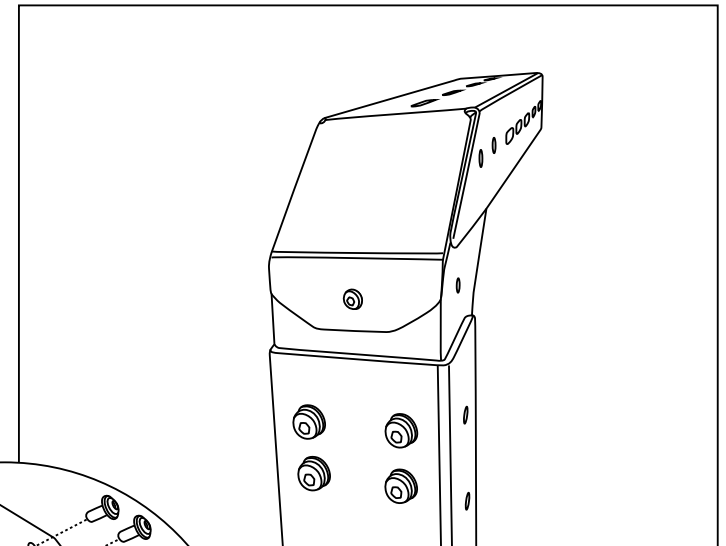
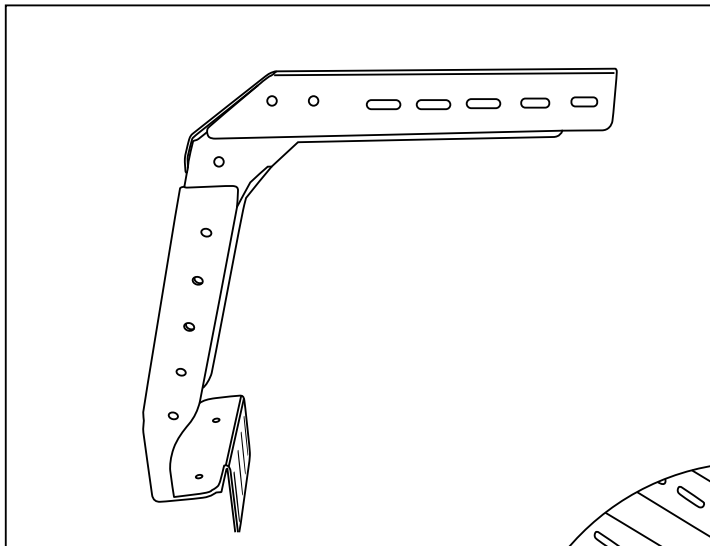
Contents:



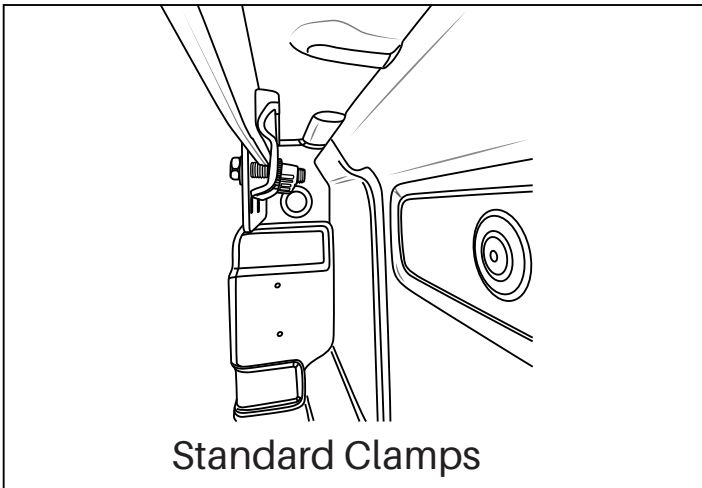
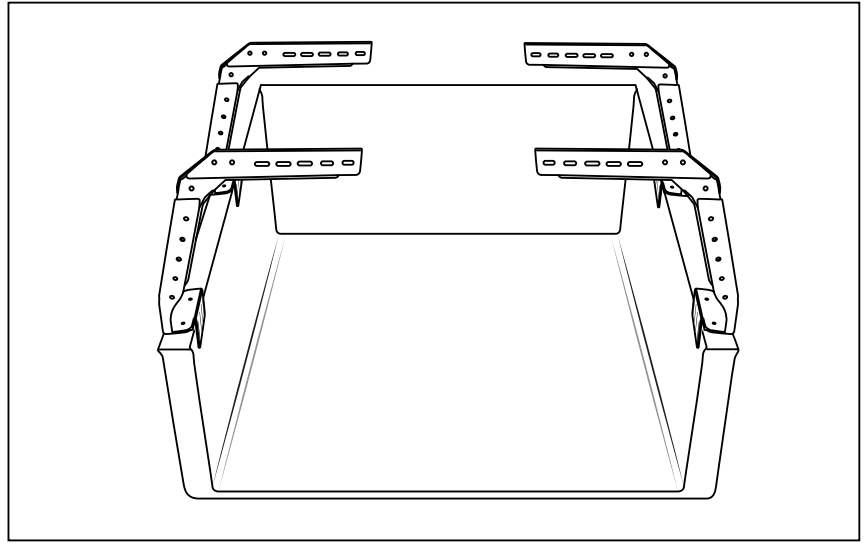
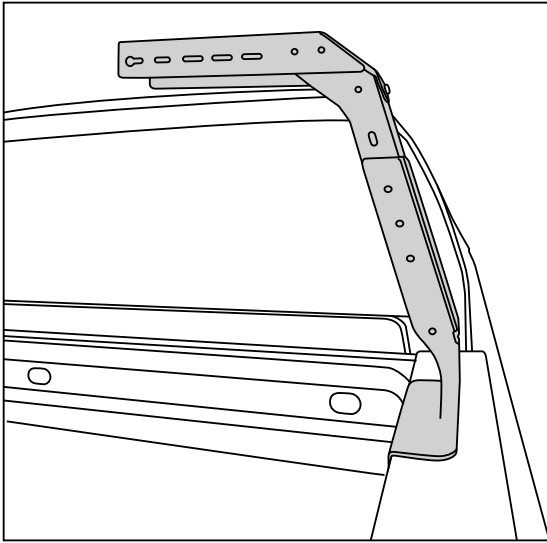
Step 1: Assemble front and rear bases and elbows choosing your preferred height setting



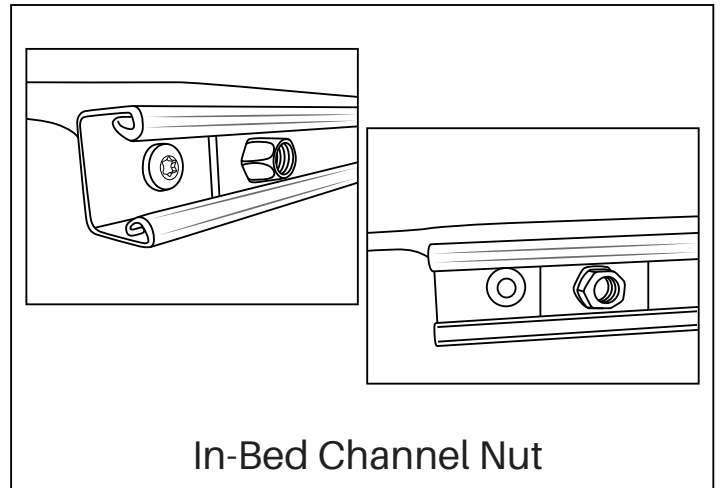
Step 2: Connect the upper corners to each of the four mounting arms assembled on step 1.



Step 3: Place your front and rear mounting arms assembled on step 2 on the bed of your truck at your desired length and attach them to your truck with the standard mounting clamps or in-bed channel nuts to keep them in place.

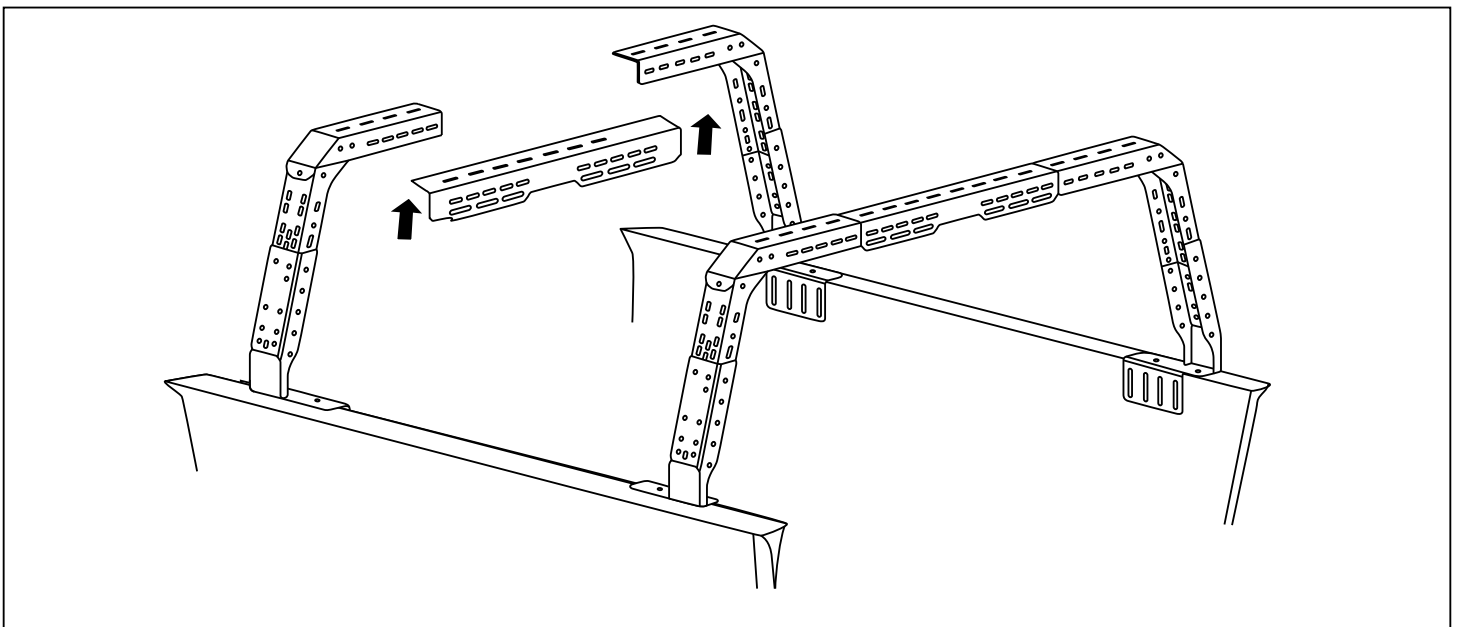


Standard Clamps

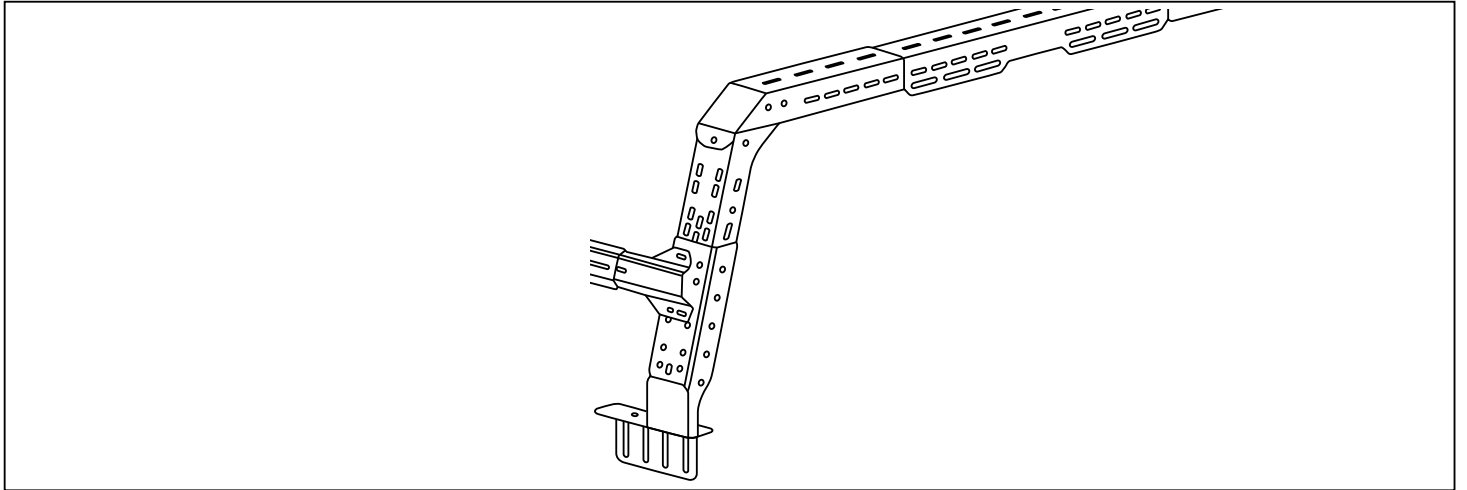


In-Bed Channel Nut

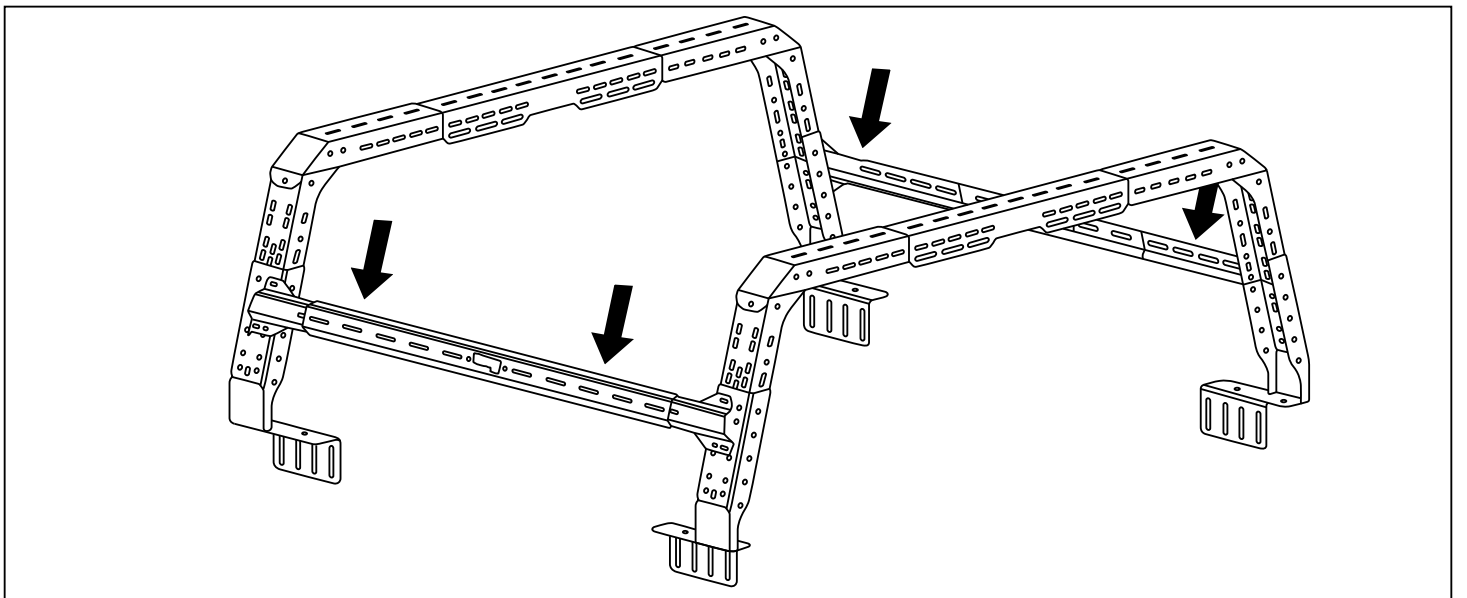
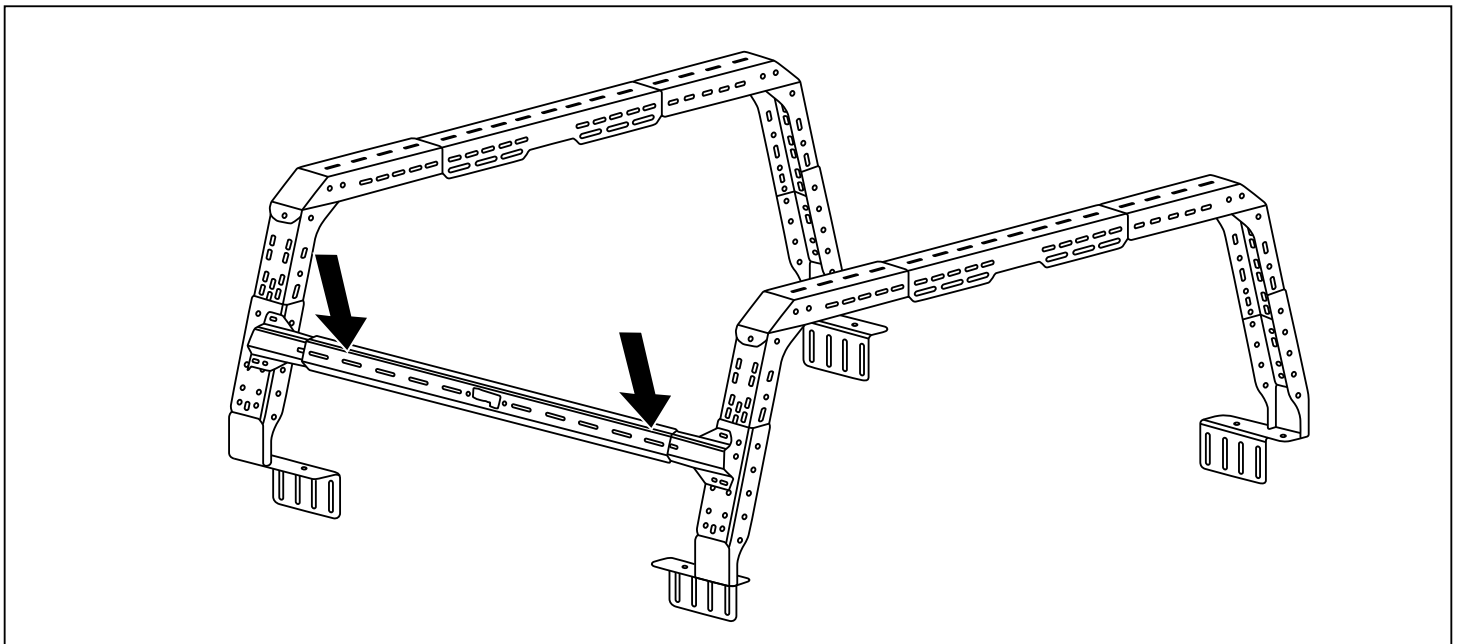
Step 3: Place and attach front and rear main cross bars, make sure they are aligned and centered.



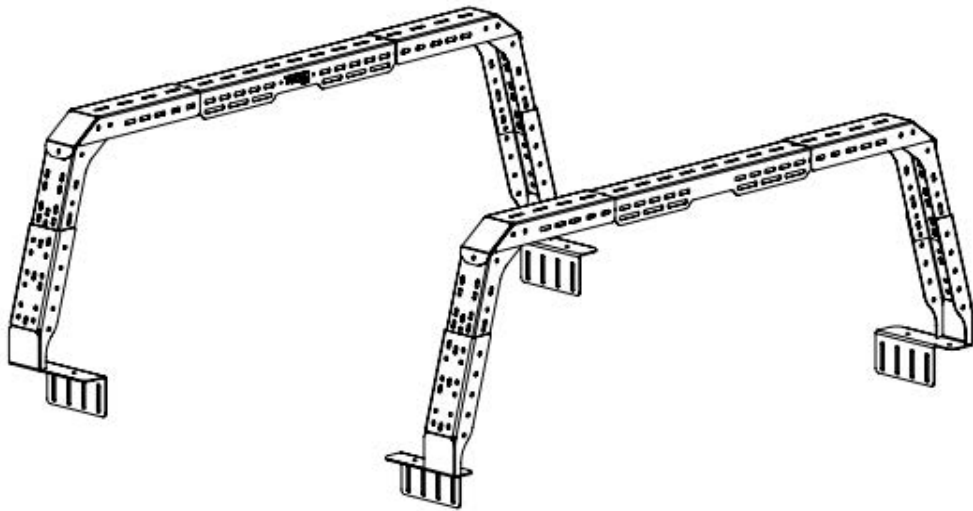
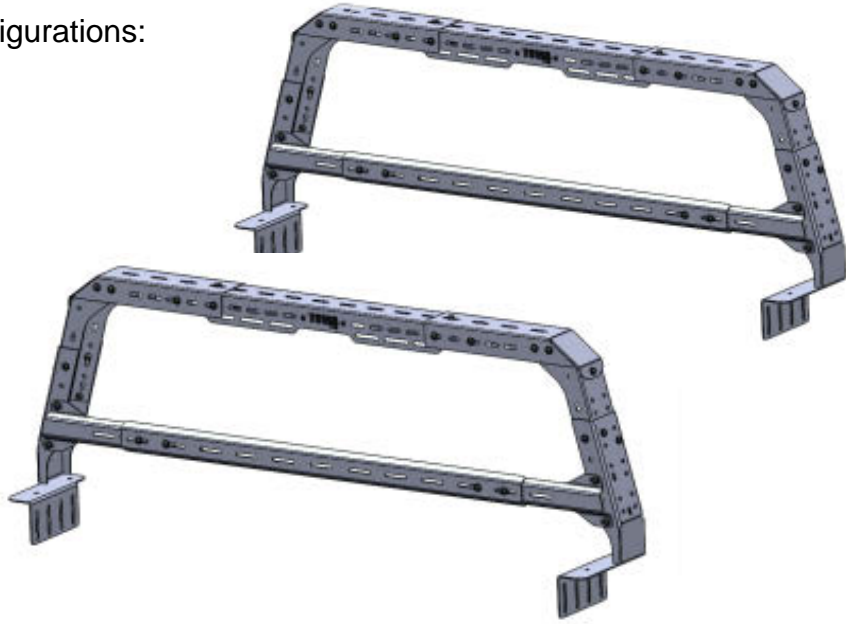
Step 4: Place the front and rear sidebar arms at your desired height.
(Do one side at the time)



Step 5: Connect main sidebar to front and rear sidebar arms on each side.
(Do one side at the time)



Other possible configurations:



*By adding the 4CX ROOF BARS