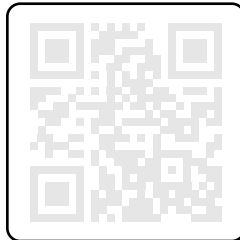


IBEX™

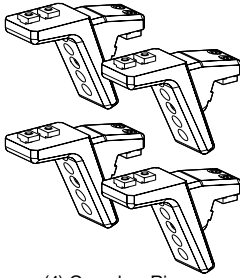
CROSSBAR RISER KIT

ASSEMBLY

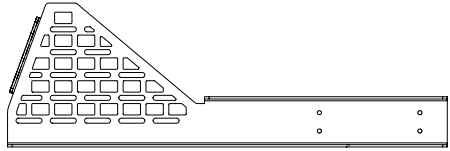


ASSEMBLY VIDEO

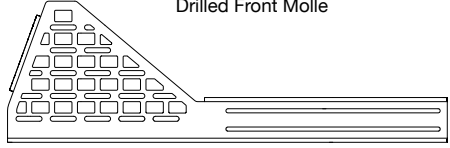
Parts



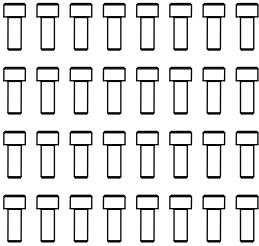
(4) Crossbar Risers



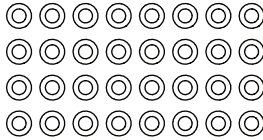
Drilled Front Malle



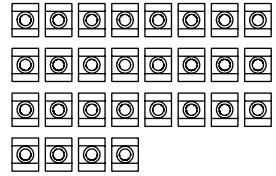
Slotted Front Malle



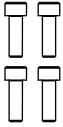
(32) M8 x 20 Bolts



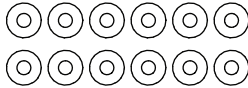
(32) M8 Washers



(28) T-Nuts



(4) M8 x 25 Bolts



(12) M8 Oversized Washers



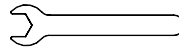
(4) M8 x 16 Bolts



(4) M8 Nuts



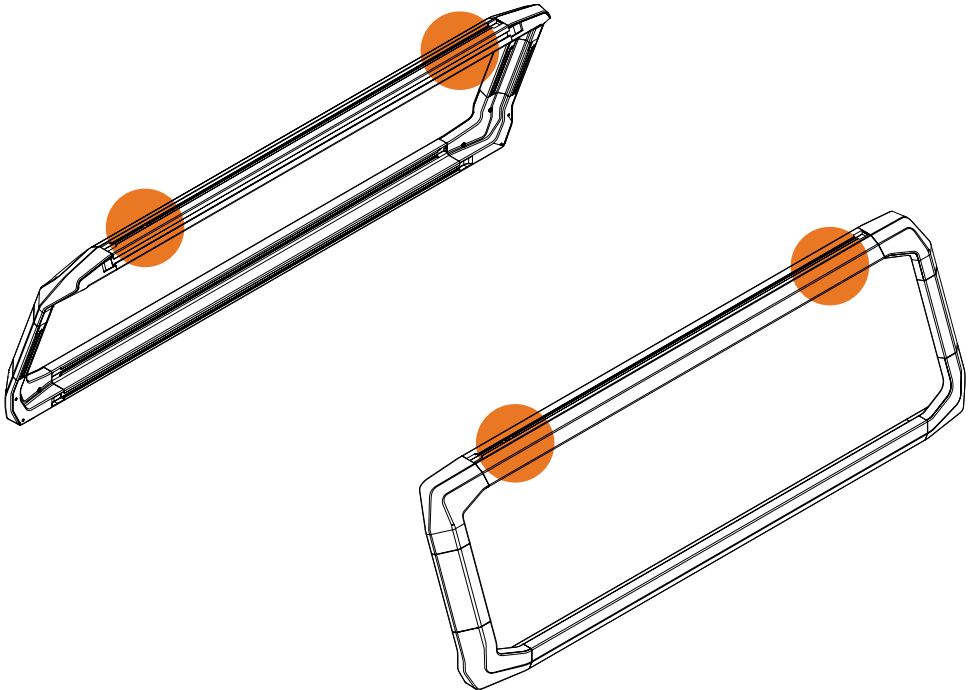
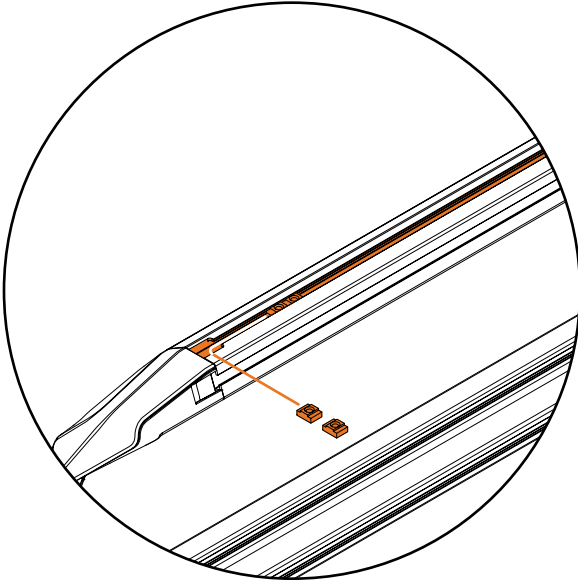
6mm Hex Key



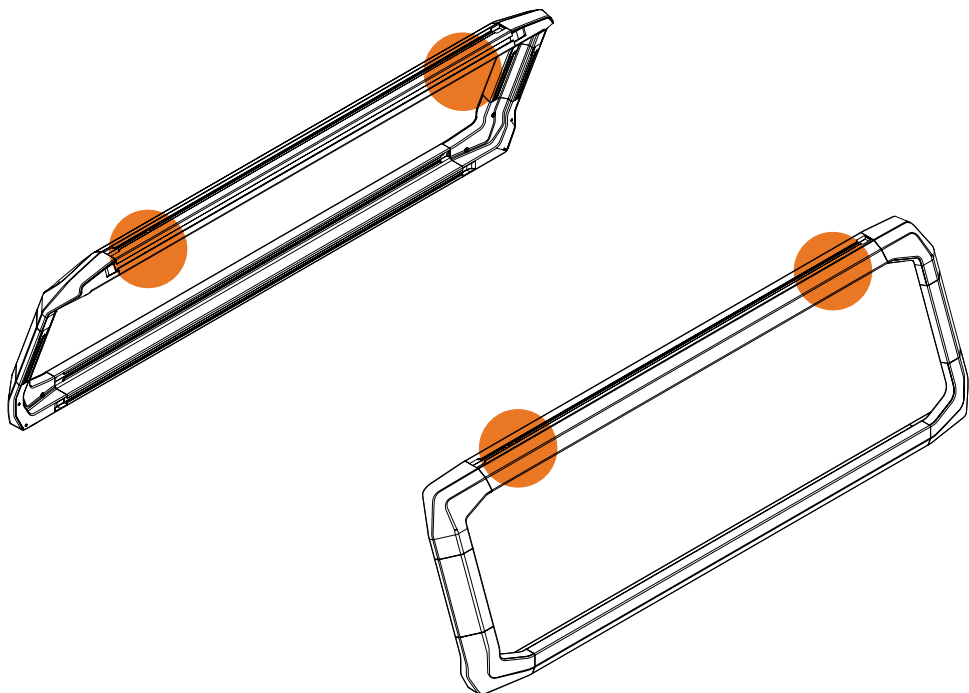
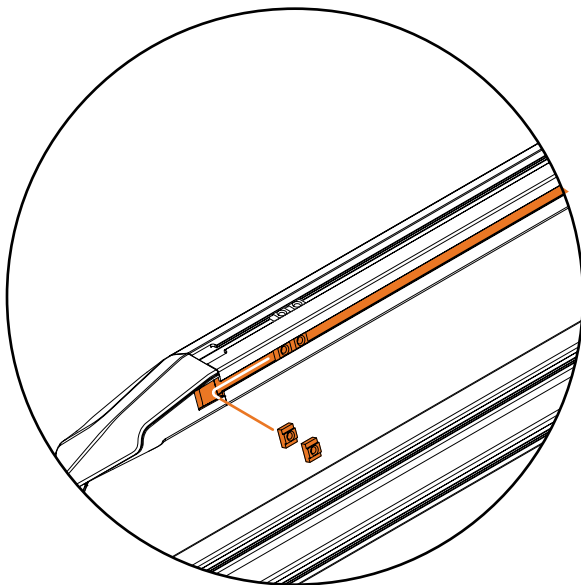
13mm Wrench

Crossbar Riser Installation

- 1 Place (4) T-Nuts into the upper top IBEX™ bed rail T-Nut channel. Align them approximately with the desired crossbar location.

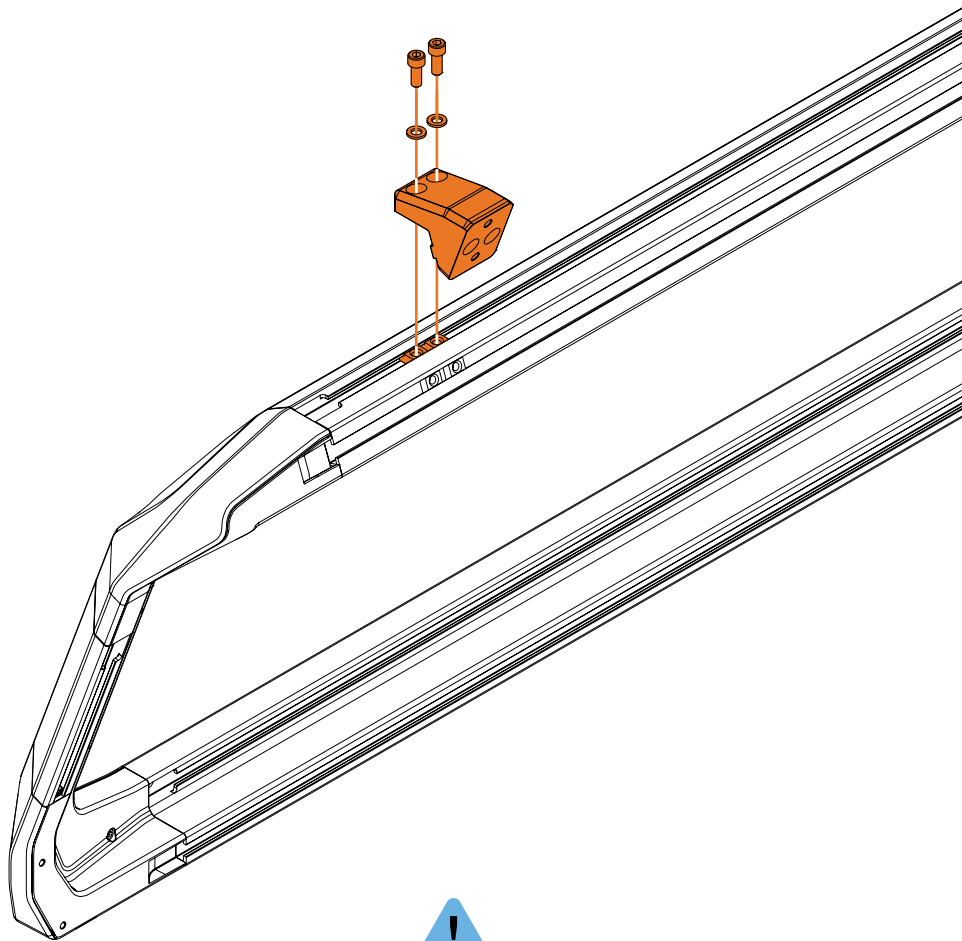


- 2 Place (4) T-Nuts into the lower top IBEX™ bed rail T-Nut channel. Align them with the previously placed T-Nuts.



- 3 Attach each Crossbar Riser Mount to the top T-Nuts using (2) M8 x 20 Bolts and (2) M8 Washers.

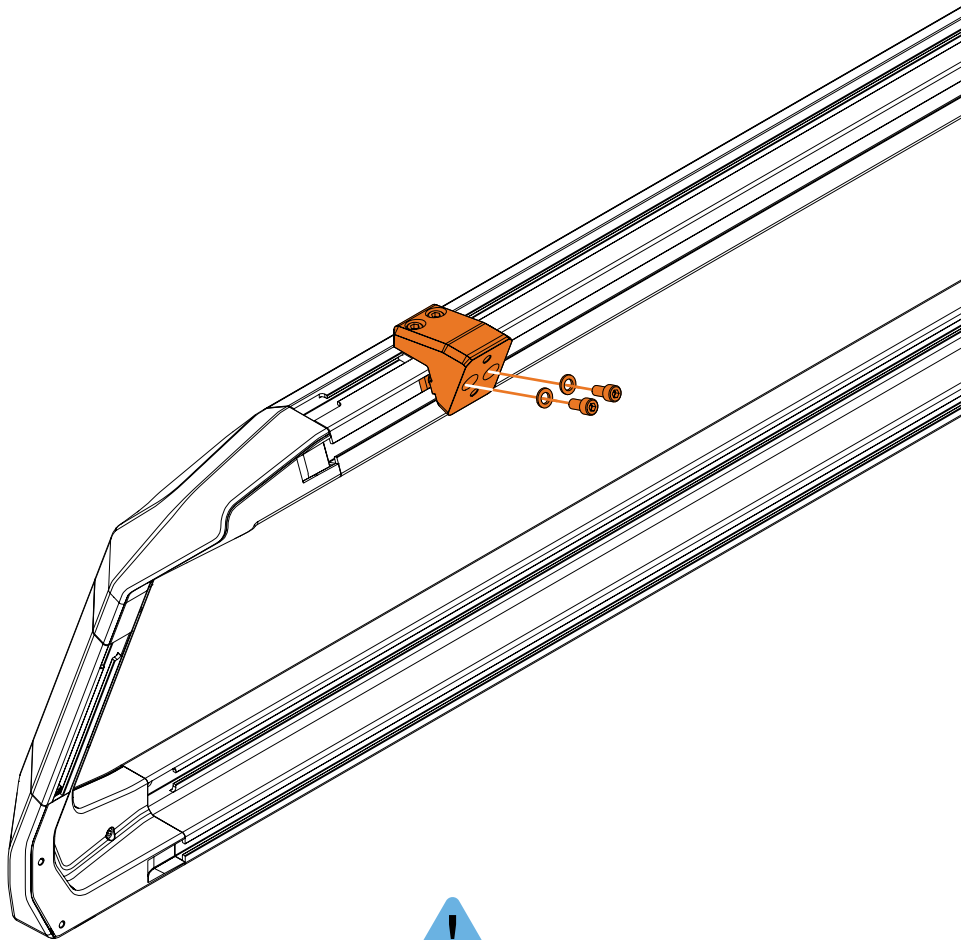
Do not fully tighten.



To aid in alignment, do not fully tighten.

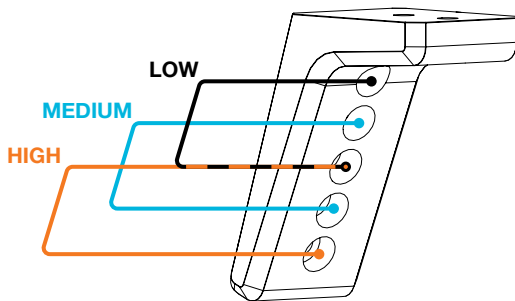
- 4 Attach each Crossbar Riser Mount to the side T-Nuts using (2) M8 x 20 Bolts and (2) M8 Washers.

Do not fully tighten.



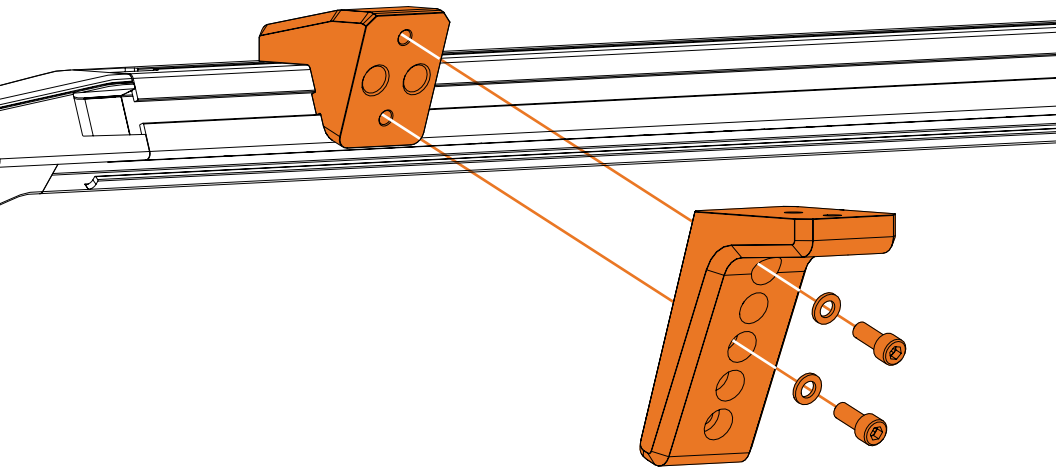
To aid in alignment, do not fully tighten.

- 5 Choose the desired height on the Crossbar Riser Tower.

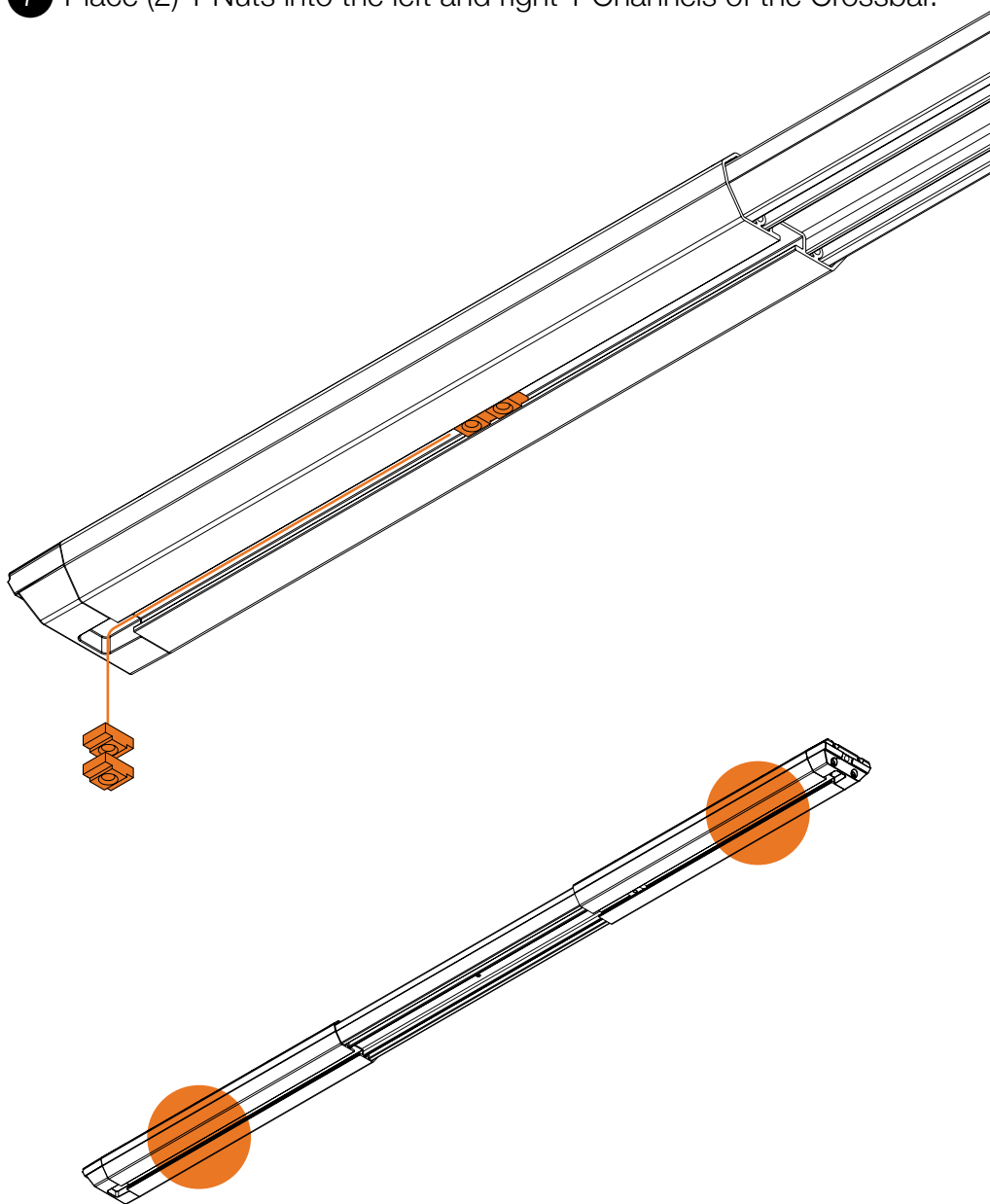


- 6 Attach the Crossbar Riser Tower to the Crossbar Riser Mount using (2) M8 x 20 Bolts and (2) M8 Washers.

Repeat for the opposite side.



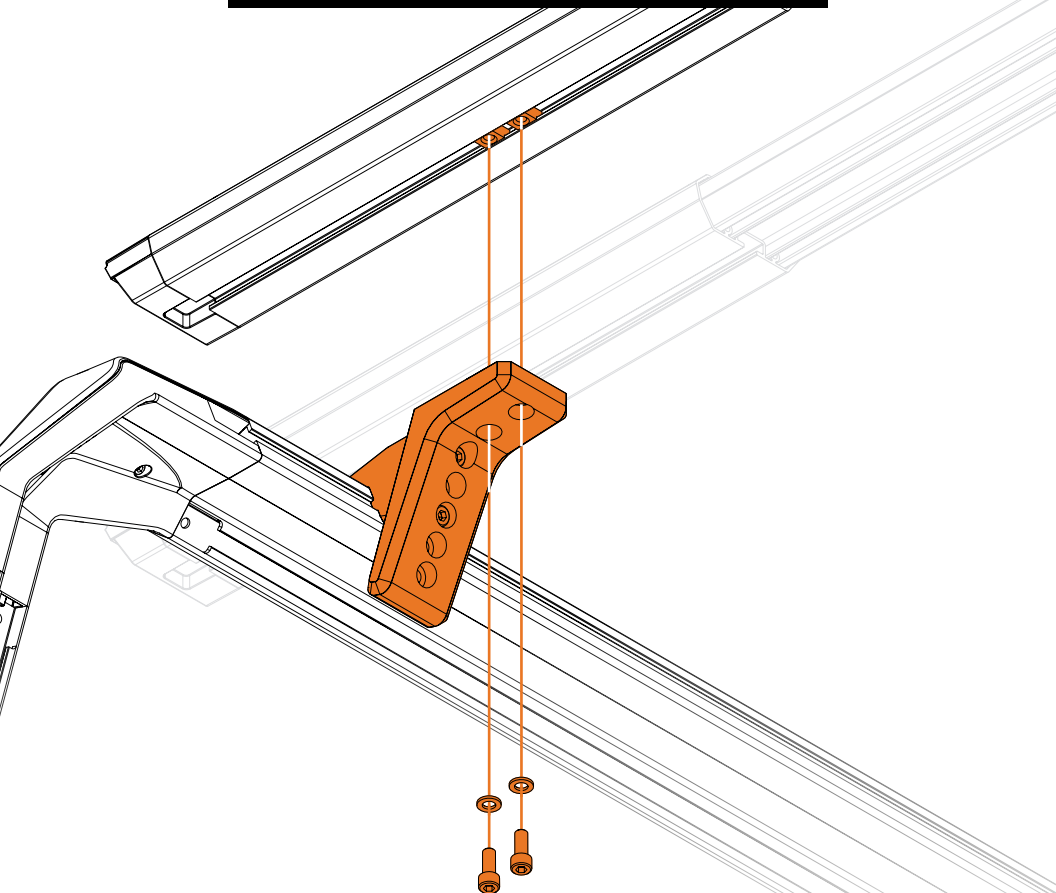
7 Place (2) T-Nuts into the left and right T-Channels of the Crossbar.



- 8 Attach the Crossbar to the Crossbar Riser Tower using (2) M8 x 20 Bolts and (2) M8 Washers. Repeat for the opposite side.



To aid in alignment, do not fully tighten.



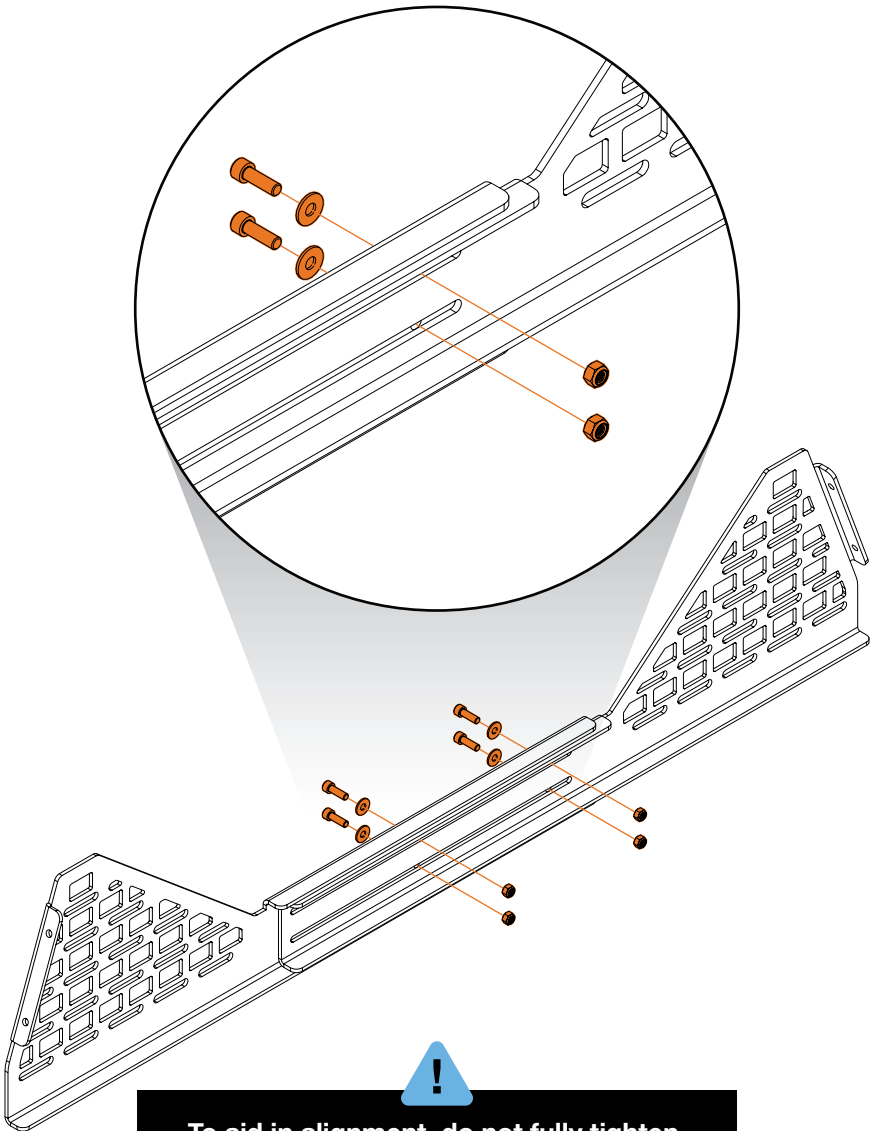
- 9 With both Crossbar Riser Towers assembled, ensure Crossbars are aligned left-to-right, and evenly spaced front-to-back.

After alignment, fully tighten all installed T-Nuts.

Repeat these steps for the second Crossbar.

Front Molle Installation

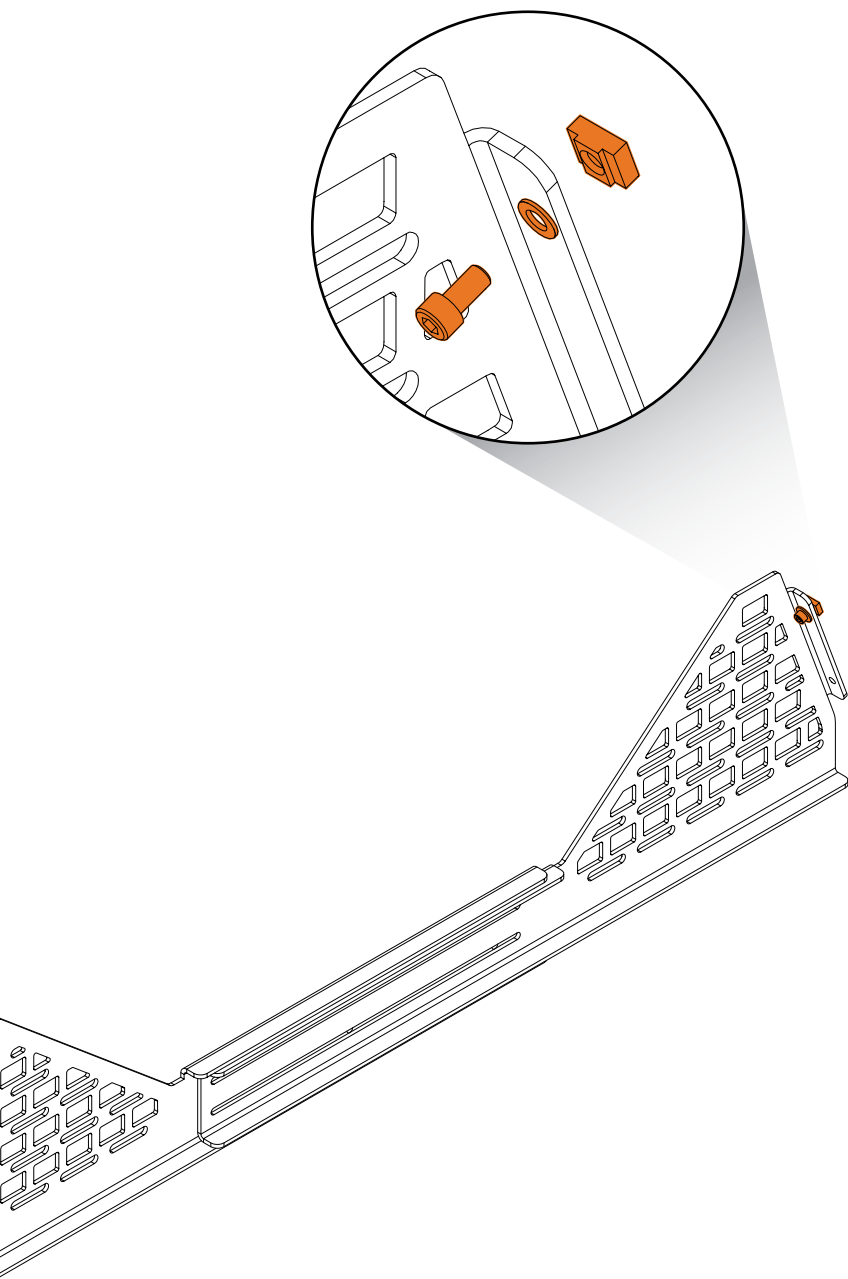
- 1 Secure Drilled and Slotted Front Molle together with (4) M8 x 25 Bolts, (8) M8 Oversized Washers, and (4) M8 Nuts.



To aid in alignment, do not fully tighten.

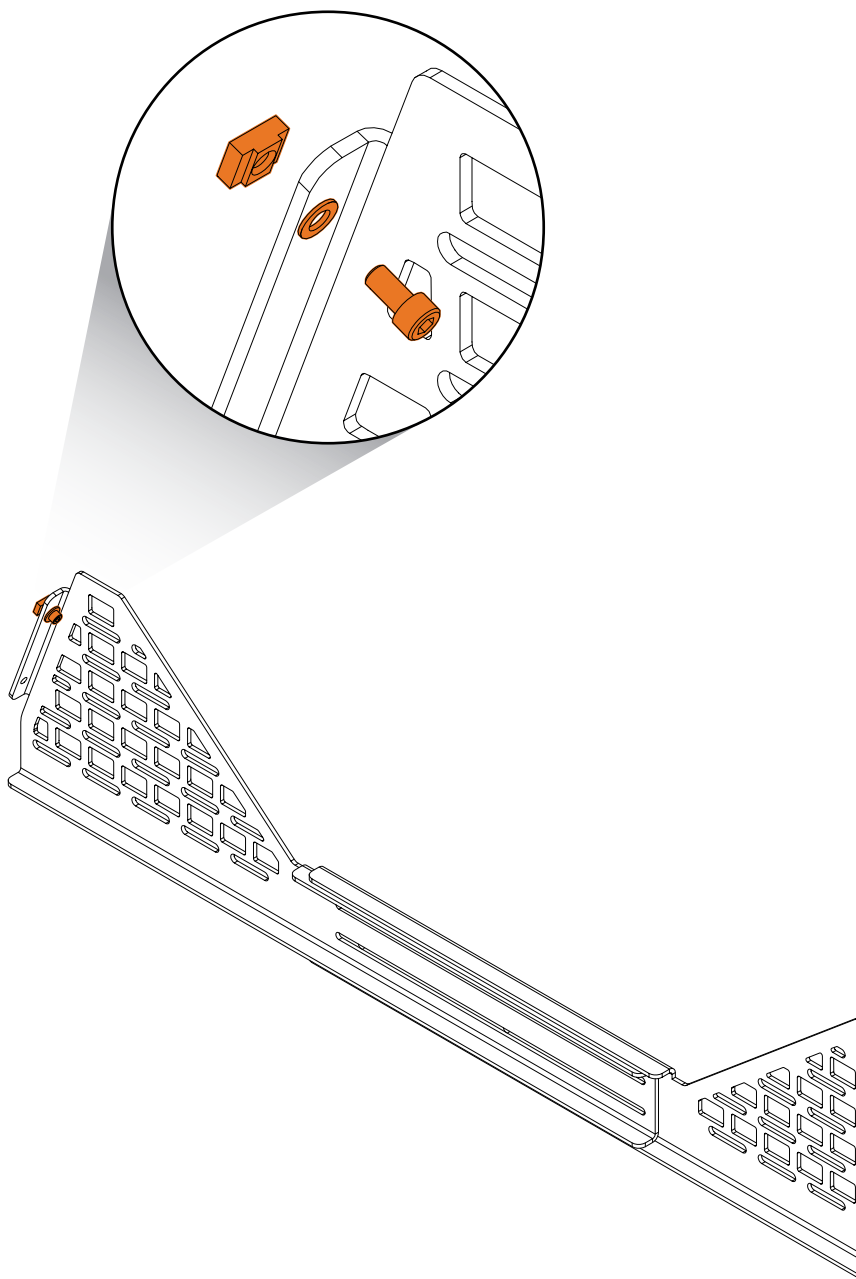
- 2 Insert (1) M8 x 16 Bolt through (1) M8 Oversized Washer, through the right top bolt hole on the Front Molle, and thread into (1) T-Nut.

Do not fully tighten.

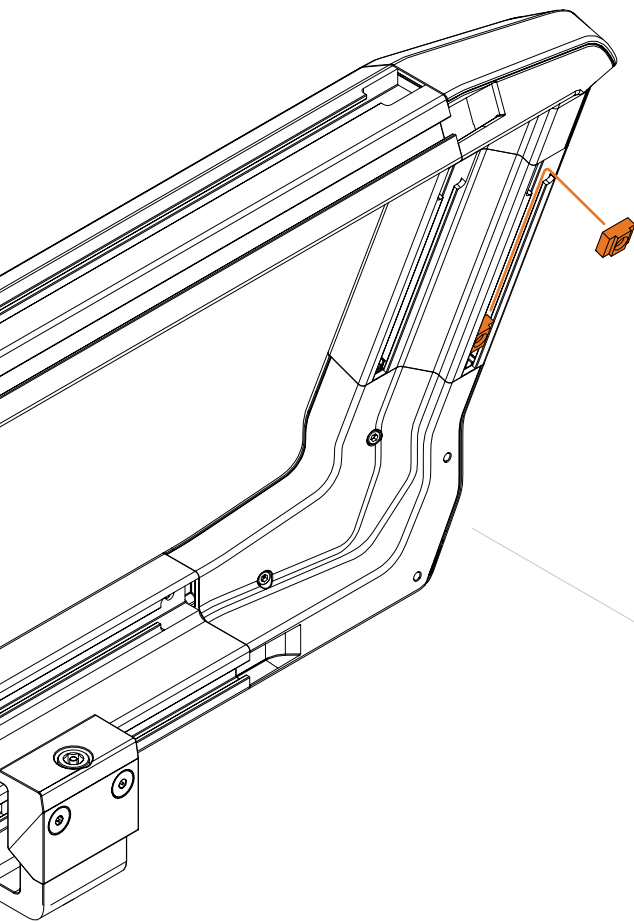


- 3 Insert (1) M8 x 16 Bolt through (1) M8 Oversized Washer, through the left top bolt hole on the Front Molle, and thread into (1) T-Nut.

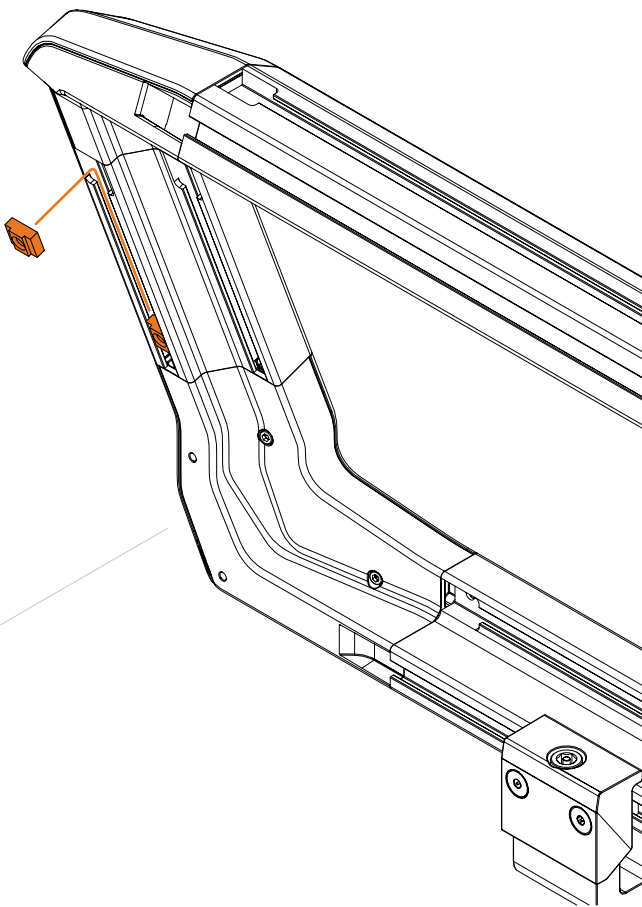
Do not fully tighten.



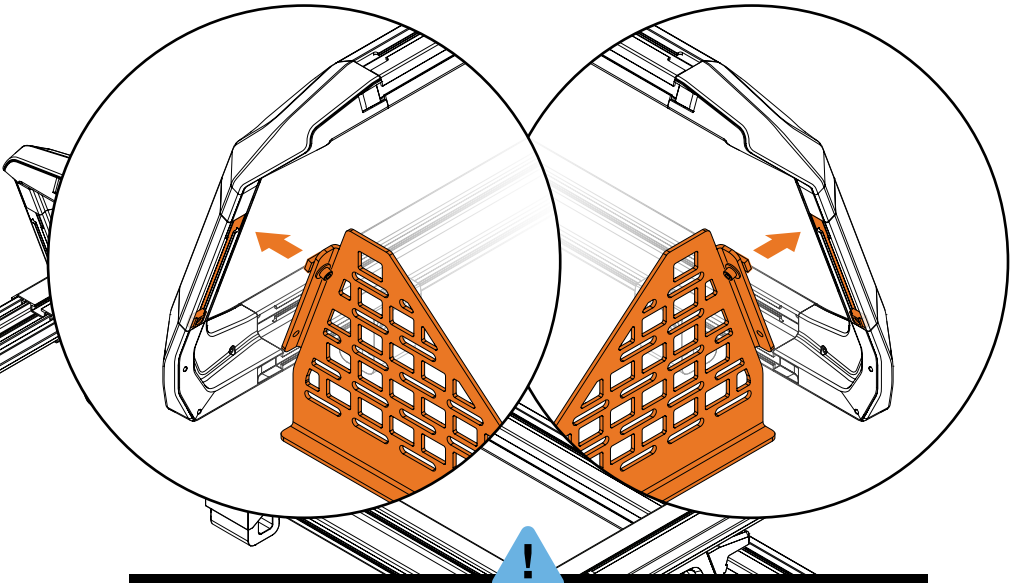
4 Place (1) T-Nut into the right vertical IBEX™ bed rail T-Nut channel.



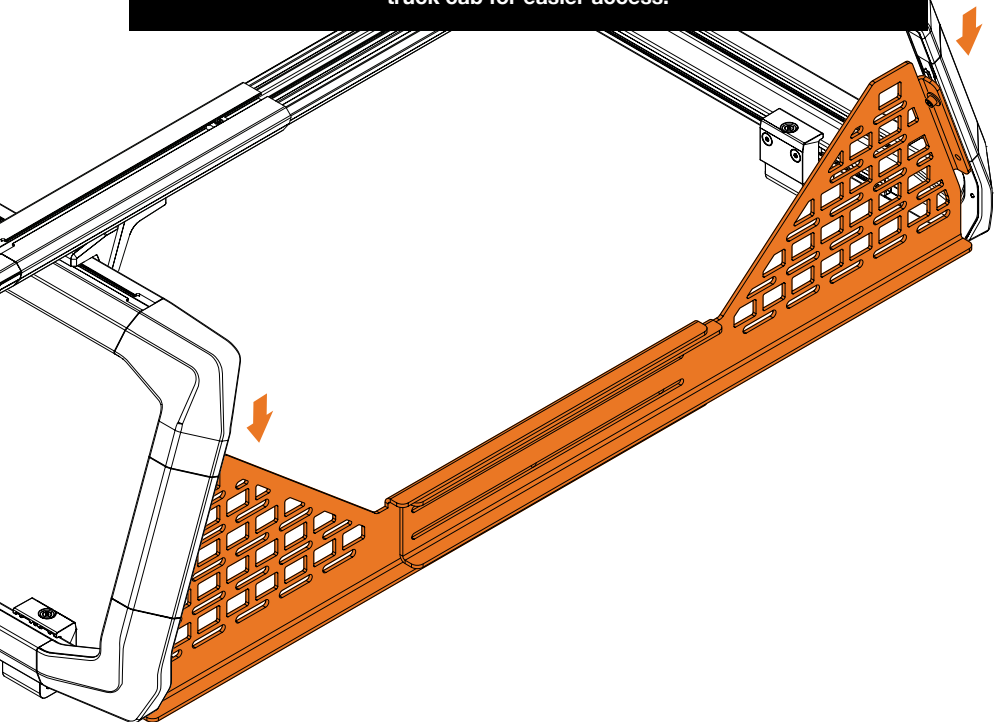
- 5 Place (1) T-Nut into the left vertical IBEX™ bed rail T-Nut channel.



- 6 Slide left and right T-Channel bolts of the assembled Front Molle into vertical T-Channels of the IBEX™ frames.

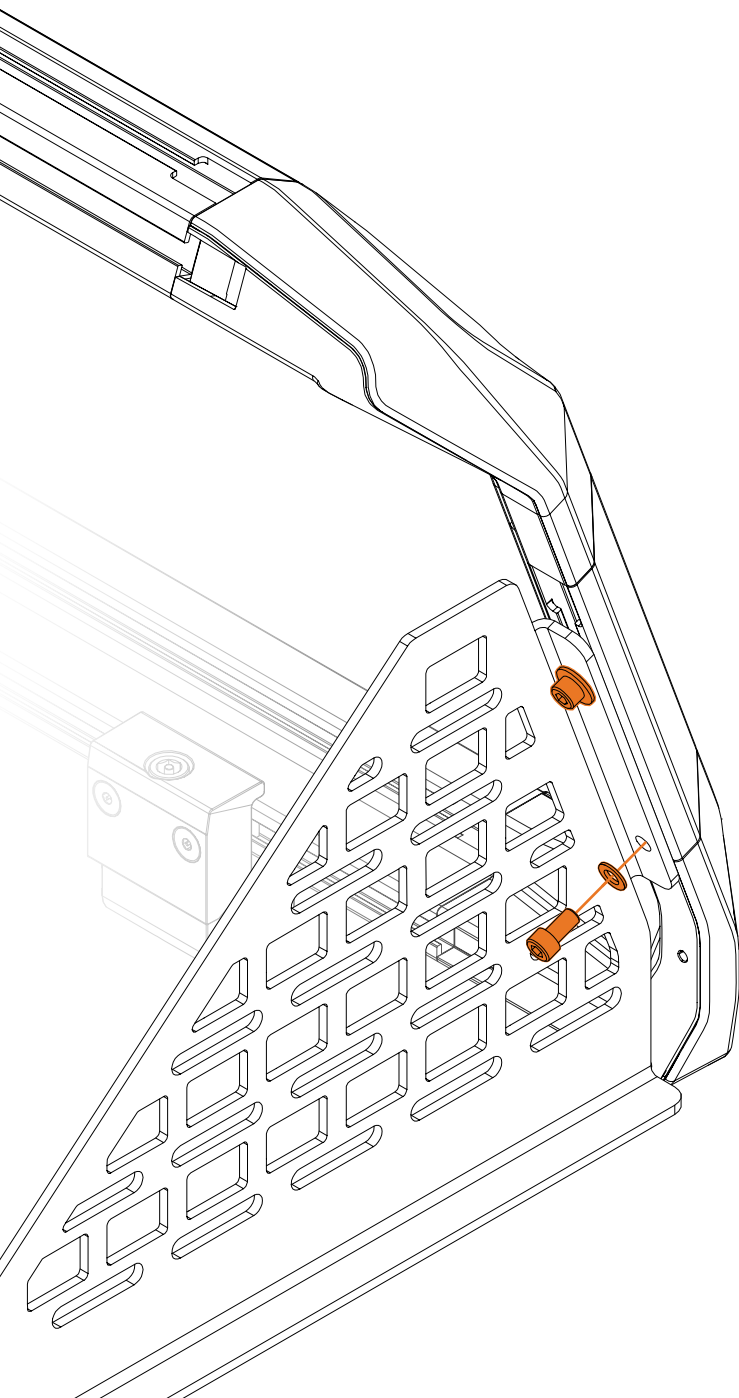


If Front Molle is being installed on an existing IBEX™, it may be necessary to loosen IBEX™ truck bed clamps and move the frame away from the truck cab for easier access.



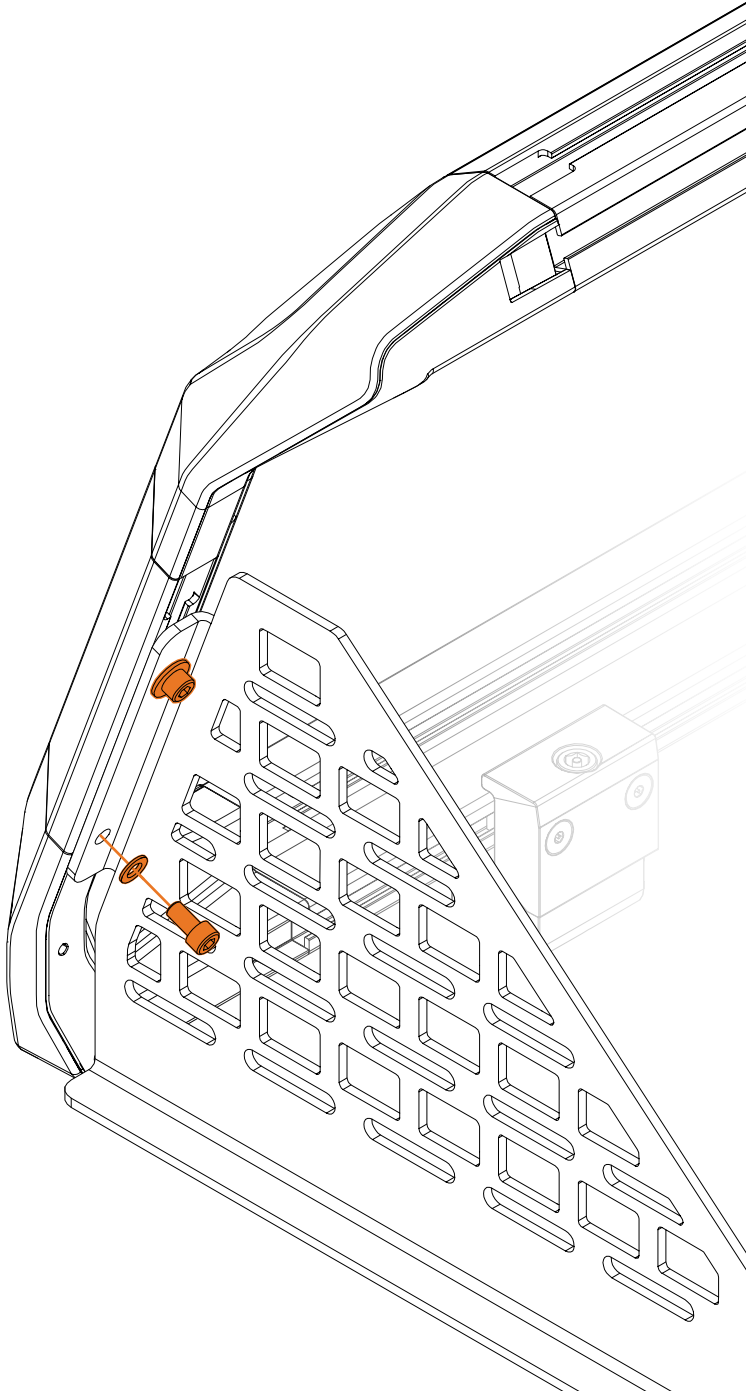
- 7 Align the right Front Molle bottom with previously placed T-Nut and secure using (1) M8 x 16 Bolt and (1) M8 Washer.

With bolt secured, tighten top and bottom bolts completely.

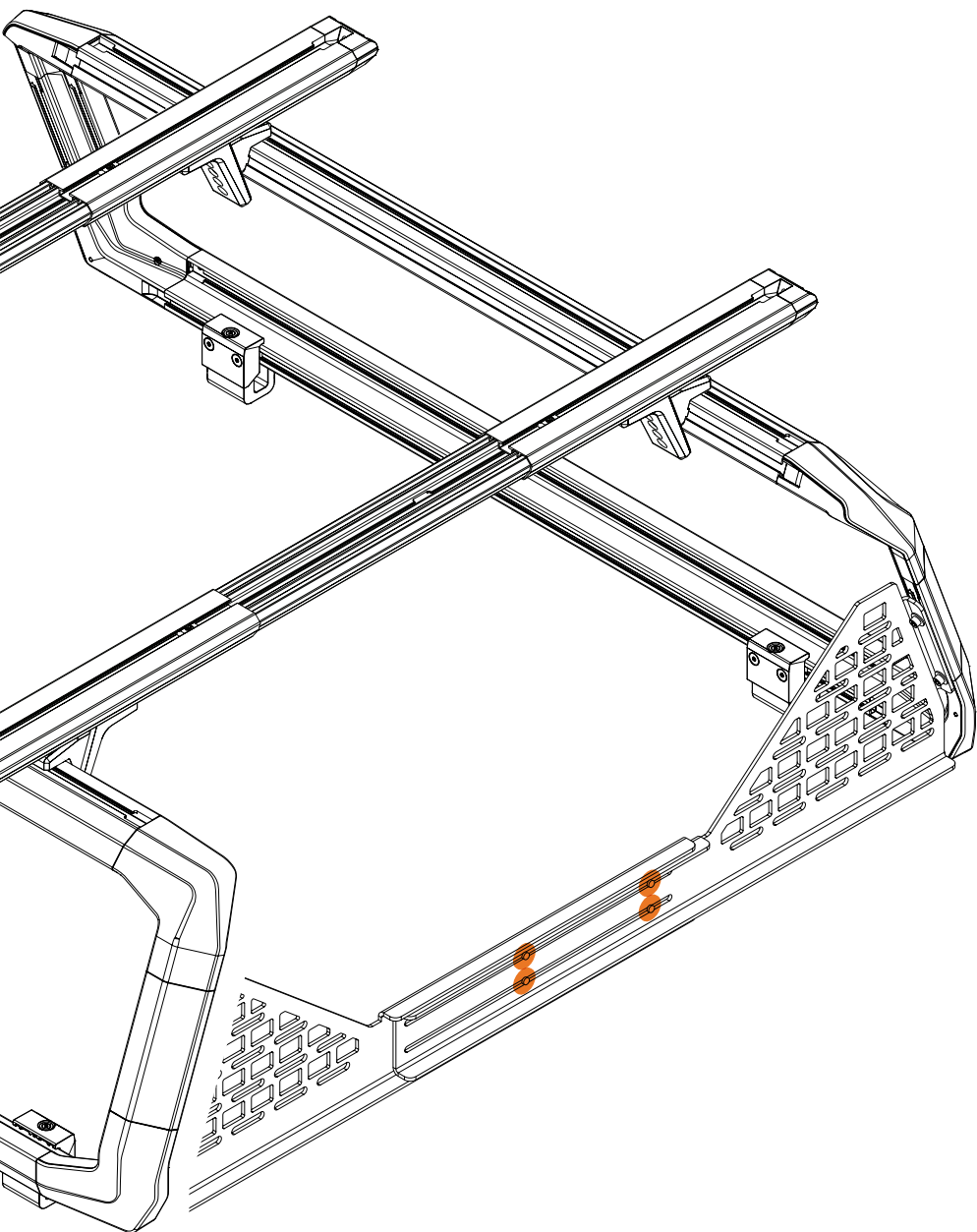


- 8 Align the left Front Molle bottom with previously placed T-Nut and secure using (1) M8 x 16 Bolt and (1) M8 Washer.

With bolt secured, tighten top and bottom bolts completely.



- 9 Finally, with left and right side T-Channel bolts secured, fully tighten center M8 x 25 bolts on the Front Molle.



Warnings

IBEX™

CROSSBAR RISER KIT

WARNINGS

- Follow instructions for proper assembly, installation and use.
- Check tightness of all bolts and screws periodically.
- This product is not designed for and should not be used on terrain which requires aftermarket upgrades to your 4WD suspension, or use that includes rock-crawling, jumping, bogging, or high speed off road driving. An experienced overland driver is required to take into consideration the speed of the vehicle and the total weight of the vehicle load and its distribution when encountering rutted and/or rocky terrain when using this product, and must reduce the load, speed, or both as necessary. Smooth gravel roads are not considered off-road.
- Drive responsibly.

If you have questions or problems, please contact Küat directly by calling toll free 1(877)822-KUAT, or by email: info@kuat.com

ADVERTENCIAS

- Siga las instrucciones para un montaje, instalación y uso adecuados.
- Verifique periódicamente el apriete de todos los pernos y tornillos.
- Este producto no está diseñado y no debe usarse en terrenos que requieran mejoras de posventa en su suspensión 4WD, o uso que incluya arrastrarse por rocas, saltar, hacer bogging o conducir a alta velocidad fuera de la carretera. Se requiere que un conductor terrestre experimentado tenga en cuenta la velocidad del vehículo y el peso total de la carga del vehículo y su distribución cuando encuentre terreno con baches y/o rocoso al usar este producto, y debe reducir la carga, la velocidad o ambas según sea necesario. Los caminos lisos de grava no se consideran todoterreno.
- Conduzca con responsabilidad.

AVERTISSEMENTS

- Suivez les instructions pour un assemblage, une installation et une utilisation appropriés.
- Vérifiez périodiquement le serrage de tous les boulons et vis.
- Ce produit n'est pas conçu et ne doit pas être utilisé sur des terrains qui nécessitent des mises à niveau de rechange de votre suspension 4WD, ou une utilisation qui inclut l'escalade de roches, les sauts, les embourbages ou la conduite hors route à grande vitesse. Un conducteur terrestre expérimenté doit prendre en considération la vitesse du véhicule et le poids total de la charge du véhicule ainsi que sa répartition lorsqu'il rencontre un terrain accidenté et/ou rocheux lors de l'utilisation de ce produit, et doit réduire la charge, la vitesse ou les deux selon le cas. Les routes de gravier lisse ne sont pas considérées comme hors route.
- Conduisez de façon responsable.

NO WORRIES LIMITED WARRANTY

We stand behind our products, and our customer service reps are waiting to help you out if you have any problems with your product. Our limited warranty covers your purchase for life. You can review our limited warranty on our website or call customer service at the number below if you have questions or need a repair, replacement, refund, or a copy of the limited warranty.

www.kuat.com/warranty

Questions or comments?

Drop us an email or call us directly!

kuat.com | info@kuat.com | [877.822.5828](tel:877.822.5828)

kuat[®]

1.877.822.5828

info@kuat.com

kuat.com