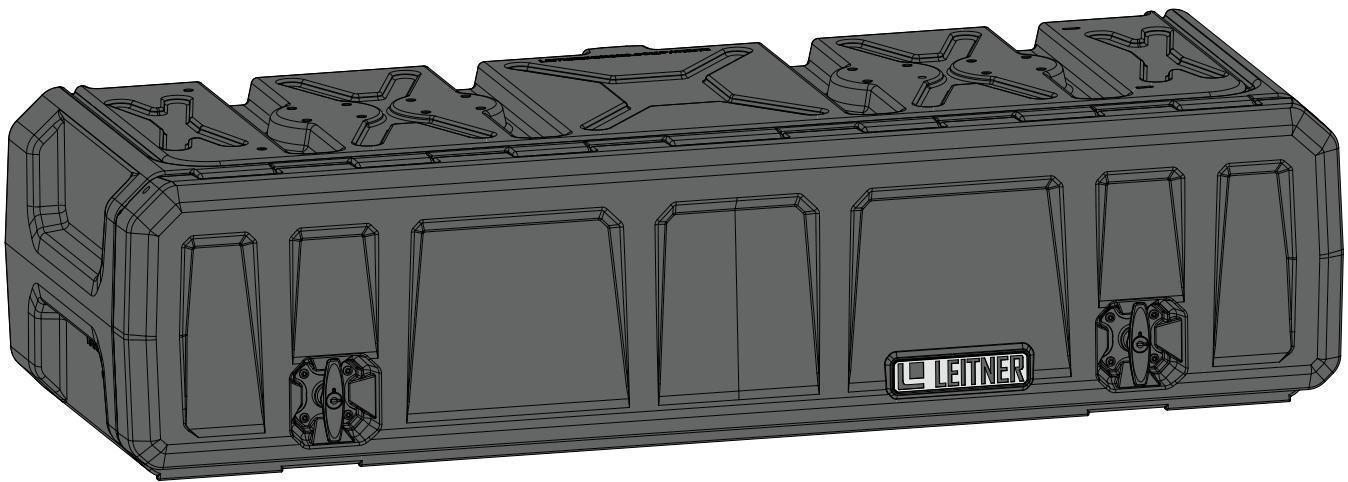


# **L LEITNER**

## **ACSR00F**



## **GEARPOD ROOF**

LEITNERDESIGNS.COM | SALES@LEITNERDESIGNS.COM | 949-395-3049

# ASSEMBLY / INSTALLATION INSTRUCTIONS:

## PART NUMBER:

00-GPRA-1578

---

## TOOLS REQUIRED

- T40 TORX

## INSTALLATION TIME

**25-30 MINUTES**

BASIC KNOWLEDGE OF HAND TOOLS REQUIRED

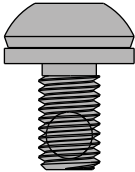
## SKILL LEVEL



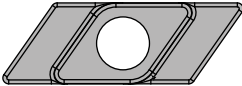
2= NOVICE

---

## ▼ HARDWARE ▼



M8 X 14  
(X8)

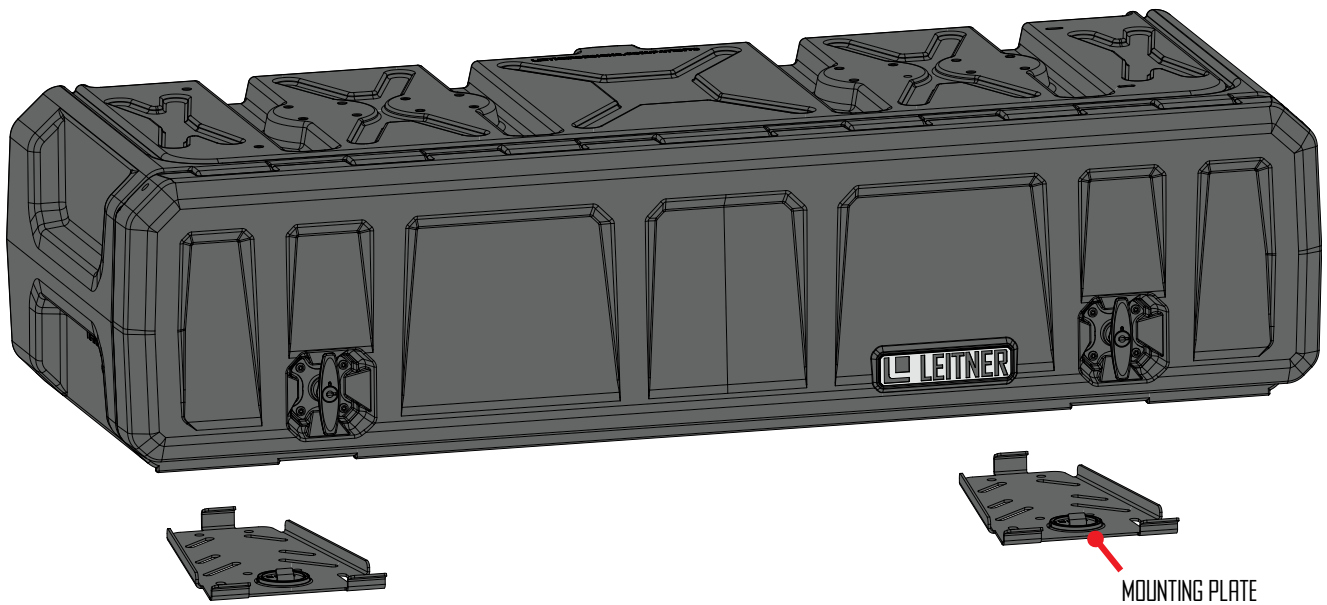


TRAKLOK NUT  
(X8)

## ▼ READ BEFORE INSTALLING ▼

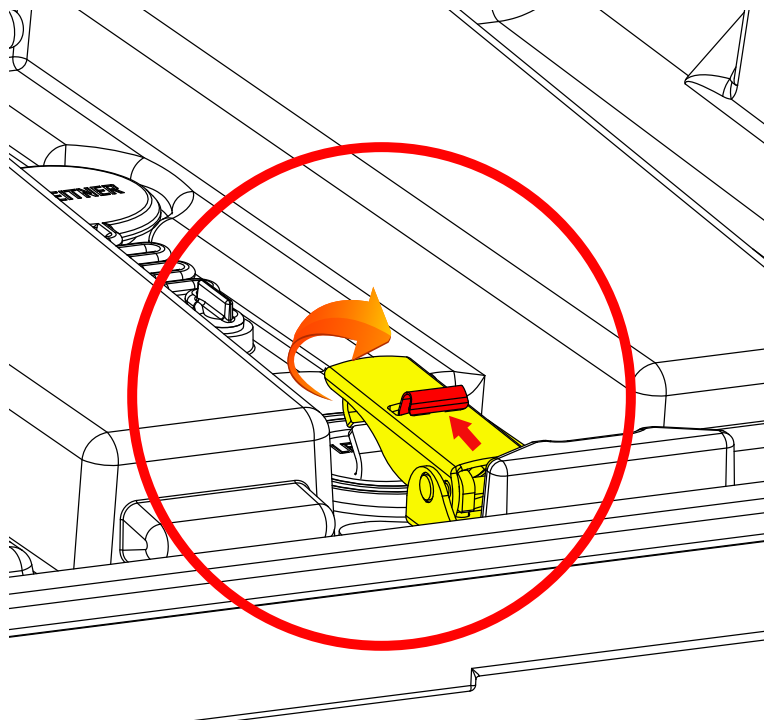
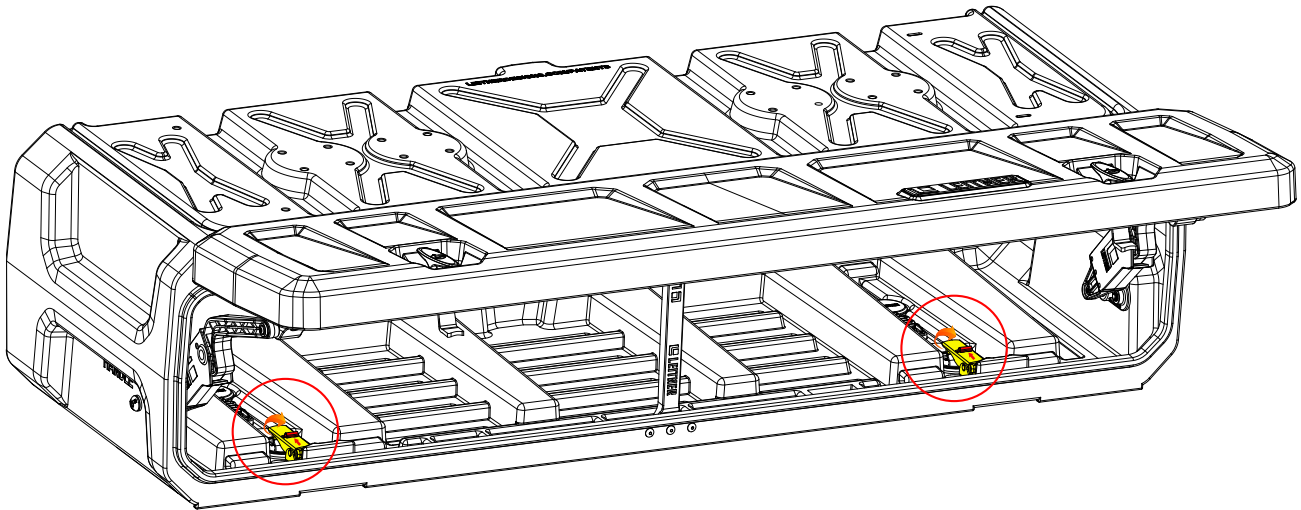
1. DON'T OVER-TIGHTEN BOLTS. ALL 8MM BOLTS = (16FT-LB)
2. TAKE YOUR TIME TO DO IT RIGHT.

## ▼ ASSEMBLY OVERVIEW ▼



# REMOVE: MOUNTING BRACKETS FROM POD

• OPEN THE GEAR POD AND UNDO THE LATCHES FOR THE MOUNTING PLATE. (LOCATED ON THE LEFT AND RIGHT BOTTOM OF THE POD) YOU WILL NEED TO PUSH THE SAFETY RETAINER FORWARD WITH YOUR THUMB TO GET IT TO UNLATCH. REMOVE MOUNTING PLATES FOR NEXT STEP.

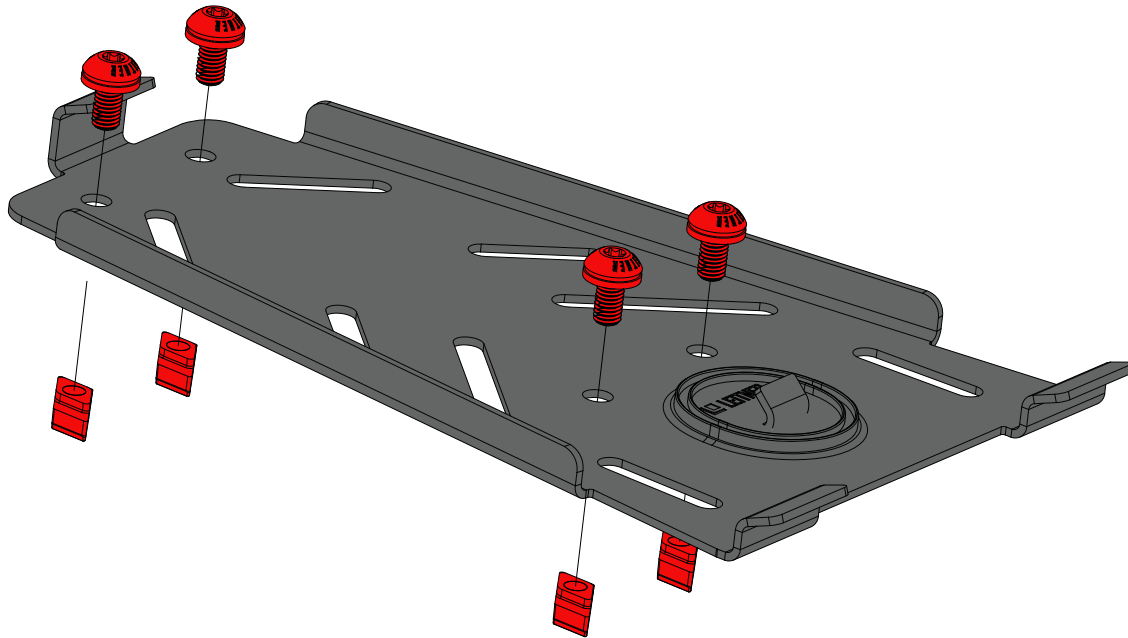


DETAIL A

# ASSEMBLE BRACKET: INSTALL FASTENERS

• FOR LEITNER ACS ROOF PLATFORM RACK ONLY. ALL OTHER RACKS SEE PAGE 8

• INSTALL THE M8 X 14 SCREWS THROUGH THE 4 HOLES IN THE BRACKET AND LOOSELY ATTACH TRAKLOK NUTS.

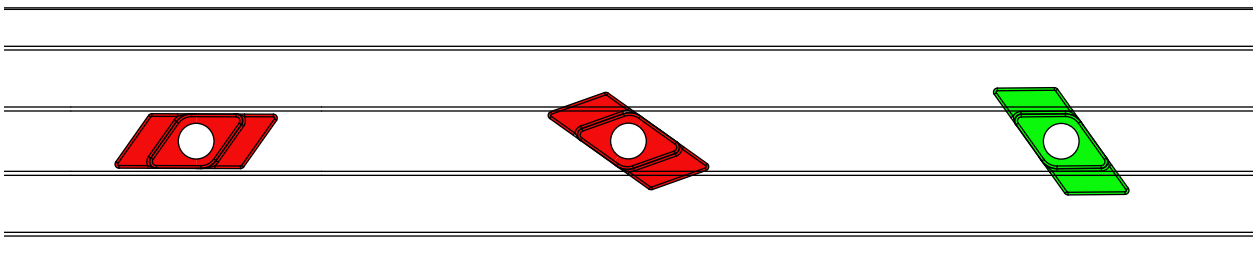
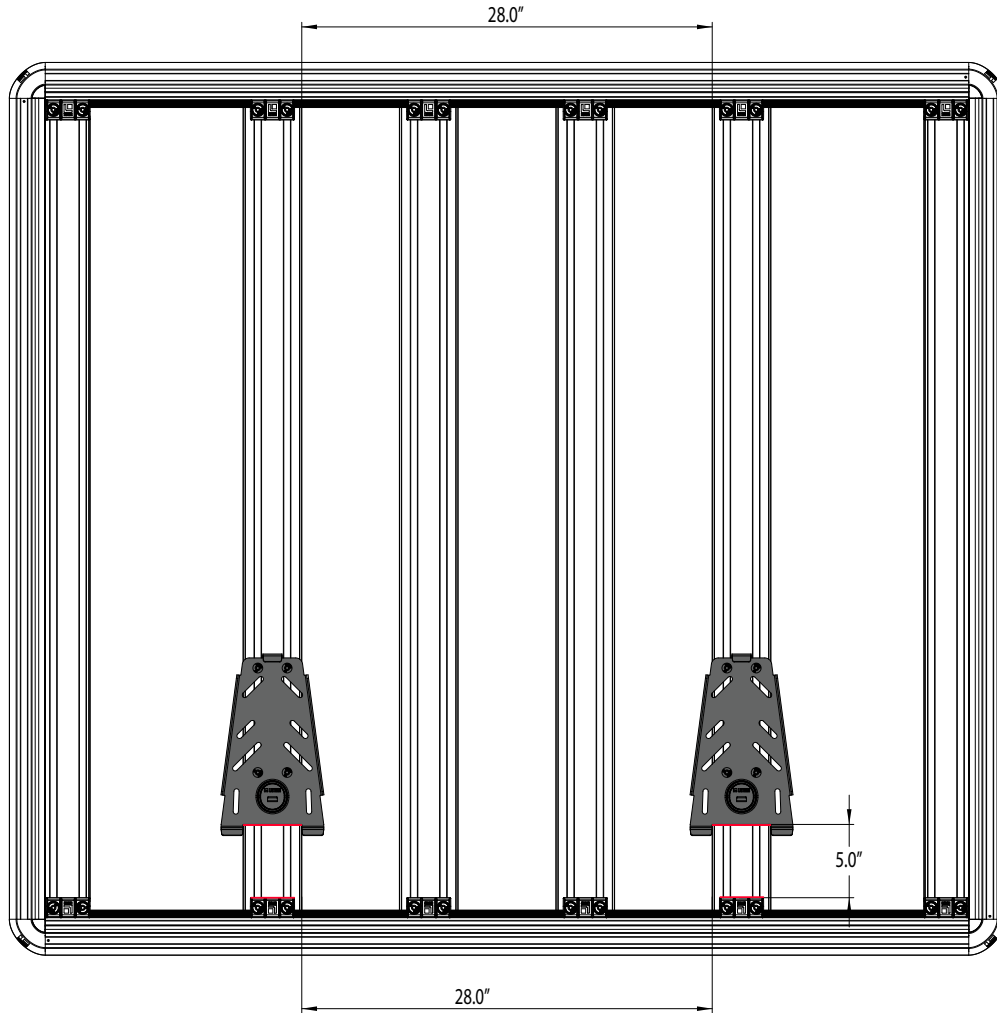


# INSTALL: BRACKET TO LEITNER ACS ROOF

· ALIGN THE TRAKLOK NUTS WITH THE T-SLOTS IN THE ACS ROOF AS SHOWN BELOW.

· THE LOAD BARS THAT THE BRACKETS ARE ATTACHED TO WILL BE 28 INCHES APART TO GET THE CORRECT POSITION YOU WILL LOOSEN THE LOAD BARS AND SLIDE THEM TO GET THE DISTANCE NEEDED. THE BRACKETS SHOULD ALSO BE 5 INCHES FROM THE LOAD BAR CLAMP (SEE DIAGRAM BELOW WITH DIMENSIONS) NOTE: THERE SHOULD ALWAYS BE 2 LOAD BARS UNDER THE POD TO SUPPORT IT PROPERLY.

· **NOTE: IT IS EXTREMELY IMPORTANT THAT THE TRAKLOK NUTS ROTATE FULLY INTO PLACE AS SHOWN IN DIAGRAM AND TIGHTEN DOWN UNDER THE LIP OF THE ALUMINUM EXTRUSION.**



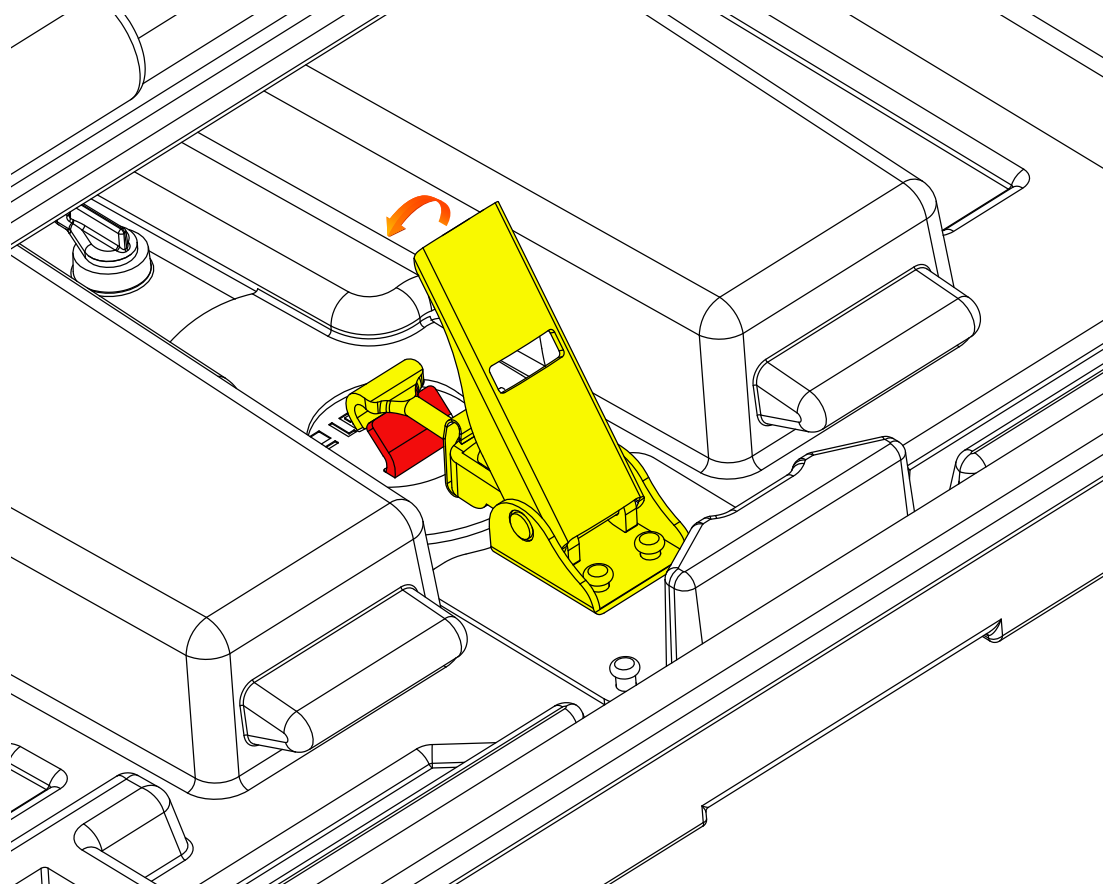
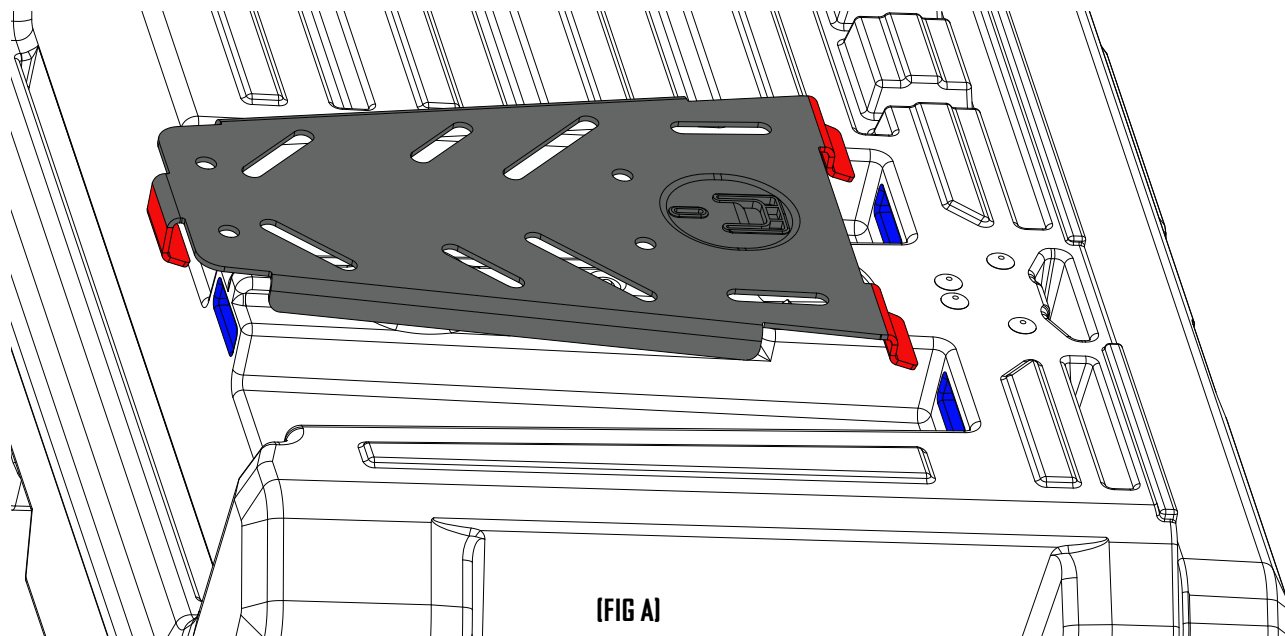
**BAD**

**BAD**

**GOOD**

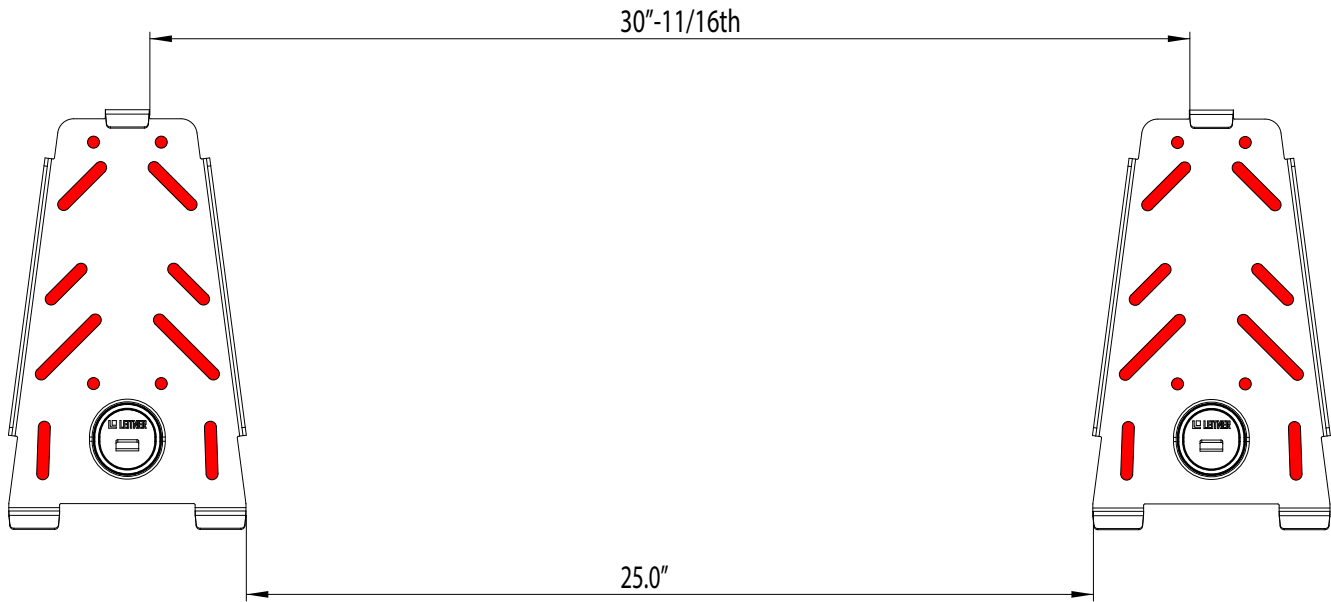
# INSTALL: GEARPOD ROOF

- ALIGN THE MOUNTING TABS ON THE PLATE (RED) WITH THE MOUNTING HOLES IN THE BOX. (BLUE (FIG A))
- SECURE THE (YELLOW) LATCH TO THE (RED) TAB ON THE INSIDE OF THE BOX. (FIG B)



# INSTALL: GEARPOD ROOF ON NON LEITNER RACKS

- THERE ARE MANY RACKS ON THE MARKET SO MOUNTING HARDWARE FOR NON LEITNER RACKS IS NOT INCLUDED. CHECK WITH THE MANUFACTURER OF YOUR RACK TO SEE WHAT THEY RECOMMEND.
- THE SPACING FOR THE FRONT OF THE BRACKET IS 25" BETWEEN THE TWO INSIDE TABS. THE SPACING FOR THE REAR TAB IS 30"-11/16TH INCHES.
- YOU CAN USE ANY OF THE HOLES AND SLOTS (MARKED IN RED) TO ATTACH THE BRACKET. WE RECOMMEND A MINIMUM OF 2 BOLTS PER BRACKET SPACED AS FAR APART FRONT TO BACK AS POSSIBLE.





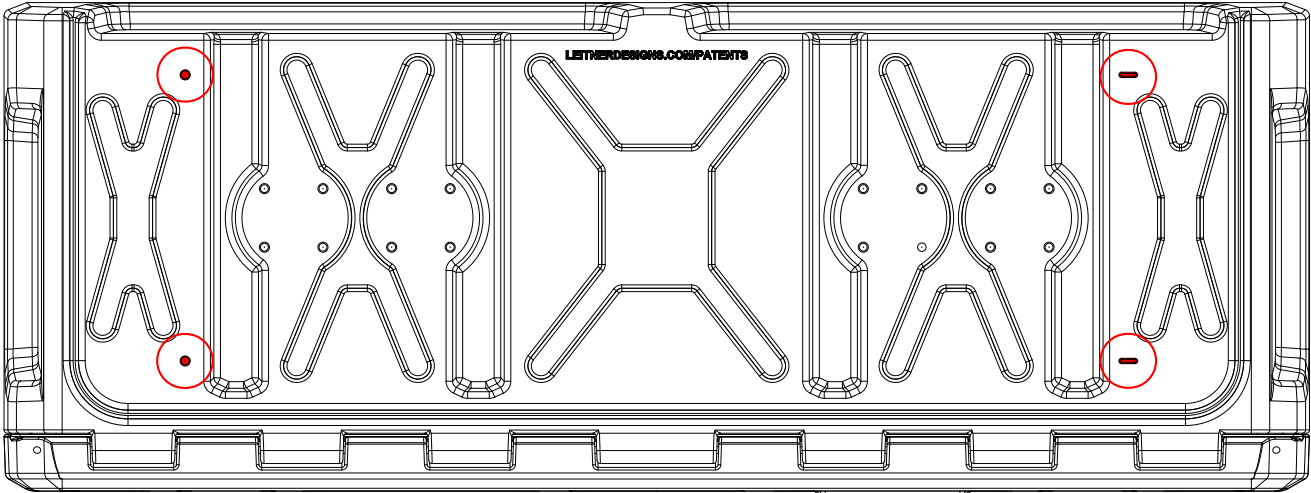
# INSTALL: MAXTRAX

- DRILL TWO 3/8 HOLES IN THE LOCATION MARKED ON THE TOP OF THE BOX AND INSTALL MAXTRAX PINS. THE HOLES ARE UNDERSIZED AND YOU WILL NEED TO THREAD THE PINS INTO PLACE. THIS WILL MAKE A WATERPROOF SEAL. ALL THE HARDWARE THAT COMES WITH THE PINS IS USED.

- INSTALL THE MAXTRAX AND USE THEM AS A TEMPLATE TO DRILL THE NEXT TWO HOLES IN THE SLOT ON THE OPPOSITE END OF THE CASE.

DRILL THESE 2 HOLES FIRST WITH A 3/8 DRILL.

DRILL THESE 2 HOLES USING YOUR MAXTRAX AS A TEMPLATE.



FRONT

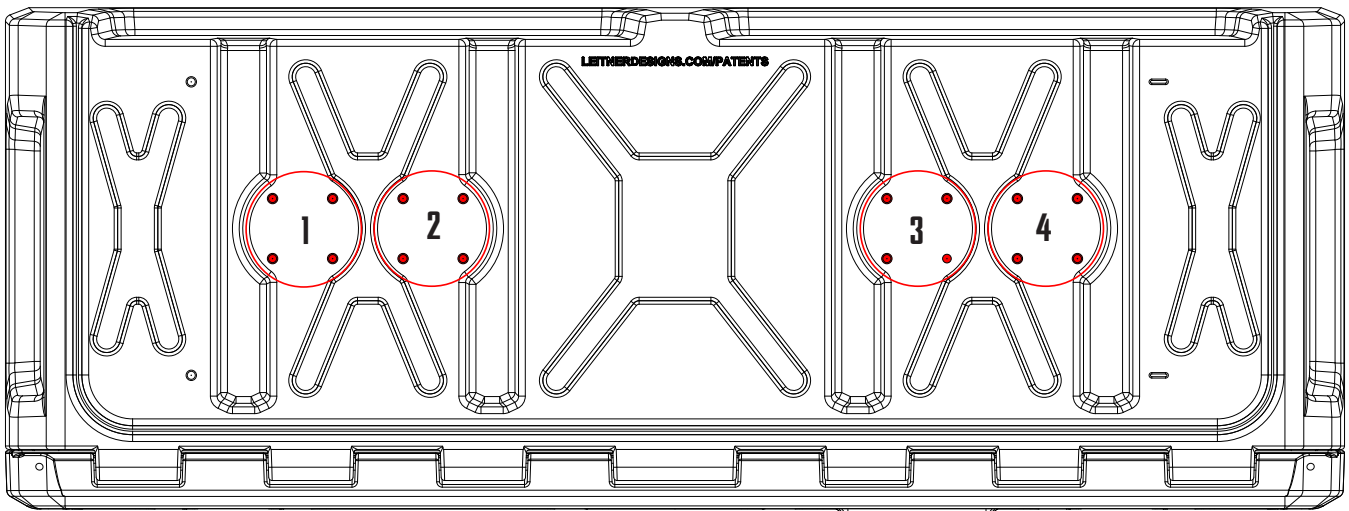
# INSTALL: ROTOPAX

• DRILL FOUR 15/64 HOLES IN THE LOCATION MARKED ON THE TOP OF THE BOX AND INSTALL ROTOPAX PLATE AS PER THEIR INSTRUCTIONS. THE HOLES ARE UNDERSIZED AND YOU WILL NEED TO PRESS THE CARRIAGE BOLTS INTO PLACE. THIS WILL MAKE A WATERPROOF SEAL. ALL THE HARDWARE THAT COMES WITH THE PAXMOUNT IS USED.

• WE HAVE SUPPLIED 4 LOCATIONS FOR MOUNTING YOUR ROTOPAX. THESE ARE DESIGNED TO FIT 2, 3 AND 4 GALLON ROTOPAX. OTHERS MIGHT FIT BUT YOU WILL NEED TO CHECK FITMENT.

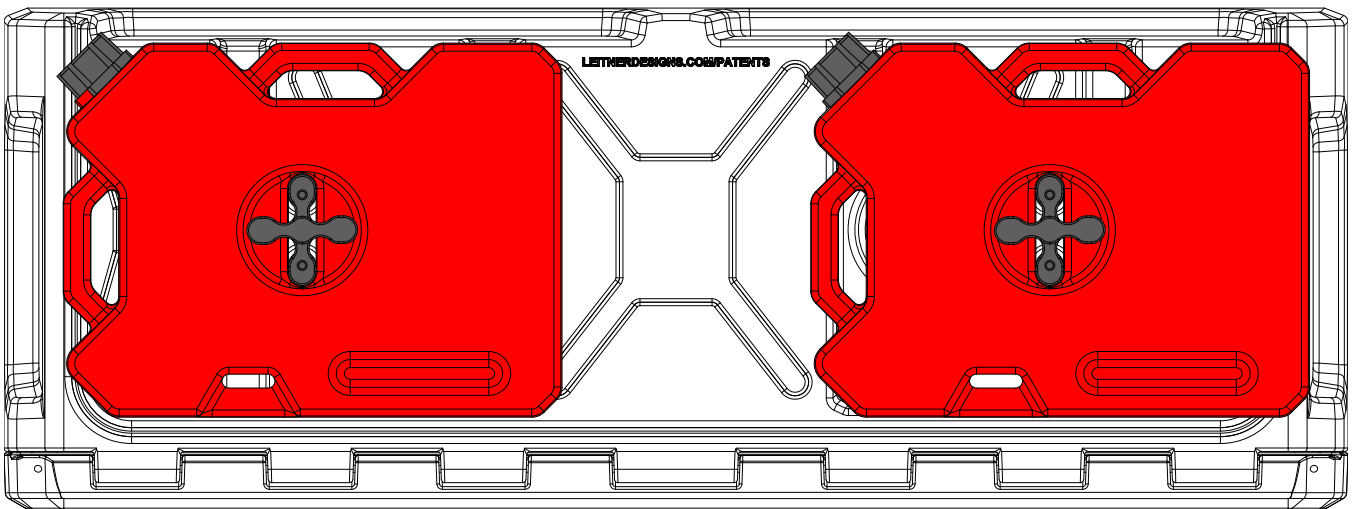
**• NOTE: BEFORE DRILLING ANY HOLES LAY OUT THE ROTOPAX TO MAKE SURE YOU HAVE THEM IN THE LOCATION YOU WANT!**

USE A 15/64TH DRILL FOR ROTOPAX MOUNTING HOLES



FRONT

2 GALLON ROTOPAX ON POSITION 1 AND 4



FRONT

# USE GUIDELINES

WHEN USING LEITNER DESIGNS CARRIERS AND ACCESSORIES, THE USER MUST UNDERSTAND THE PRECAUTIONS. THE POINTS LISTED BELOW WILL ASSIST YOU IN USING THE RACK SYSTEM AND WILL ENCOURAGE SAFETY.

-FOR QUALITY FITS AND SAFETY, USE ONLY THE RECOMMENDED RACK OR ACCESSORIES. DO NOT ASSUME A RACK WILL FIT, ALWAYS CHECK THE CURRENT FIT GUIDE WHEN OBTAINING A NEW VEHICLE.

-THE MAXIMUM LOAD IS NOT TO BE EXCEEDED. (250# OFF ROAD – 500# ON ROAD). HOWEVER, THIS LIMIT IS ALWAYS SUBORDINATE TO THE MAXIMUM LOAD RECOMMENDED BY THE MANUFACTURER OF THE VEHICLE ITSELF. IT IS ALWAYS THE LOWER MAXIMUM RECOMMENDED LOAD THAT APPLIES. MAX TRUCK LOAD = LOAD CARRIER WEIGHT + ANY FITTED CARRIER ACCESSORIES + THE WEIGHT OF THE LOAD ITSELF.

**-HIGH SPEED OFF ROAD DRIVING EVEN WITH A LIGHT LOAD CAN CAUSE DAMAGE TO THE RACK, ACCESSORIES AND VEHICLE BODY. DAMAGE CAUSED BY HIGH SPEED DRIVING AND ABUSE IS NOT COVERED UNDER WARRANTY.**

-MAKE SURE ALL KNOBS, BOLTS, SCREWS, STRAPS, AND LOCKS ARE FIRMLY ATTACHED, TIGHTENED AND LOCKED BEFORE EVERY TRIP. KNOBS, BOLTS, SCREWS, STRAPS AND LOCKS MUST BE PERIODICALLY INSPECTED FOR SIGNS OF WEAR, CORROSION, AND FATIGUE. CHECK YOUR LOAD AT STOPS DURING THE TRIP TO ENSURE CONTINUED FASTENING SECURITY.

-CHECK LOCAL AND STATE LAWS GOVERNING PROJECTION OF OBJECTS BEYOND THE PERIMETER OF A VEHICLE. BE AWARE OF THE WIDTH AND HEIGHT OF YOUR CARGO SINCE LOW CLEARANCE BRANCHES, BRIDGES, AND PARKING GARAGES CAN AFFECT THE LOAD. ALL CARGO WILL AFFECT THE VEHICLE'S DRIVING BEHAVIOR. NEVER DRIVE WITH ANY LOCK, KNOB OR RACK IN AN OPEN OR UNLOCKED POSITION. ALL LONG LOADS SUCH AS, BUT NOT LIMITED TO, SAILBOARDS, SURFBOARDS, KAYAKS, CANOES, AND LUMBER MUST BE TIED DOWN FRONT AND REAR TO THE BUMPERS OR TOW HOOKS OF THE VEHICLE.

-ALL LOCKS MUST BE TURNED AND MOVED PERIODICALLY TO ENSURE SMOOTH OPERATION. USE GRAPHITE OR DRY LUBRICANT TO HELP THIS. LEITNER DESIGNS LOCKS ARE DESIGNED TO DETER VANDALISM AND THEFT BUT SHOULD NOT BE CONSIDERED THEFT PROOF. REMOVE VALUABLE GEAR IF YOUR VEHICLE IS UNATTENDED FOR AN EXTENDED PERIOD. PLACE AT LEAST ONE KEY IN THE GLOVE COMPARTMENT.

-FOR SAFETY TO YOUR VEHICLE AND RACK SYSTEM, OBEY ALL POSTED SPEED LIMITS AND TRAFFIC CAUTIONS. ADAPT YOUR SPEED TO THE CONDITIONS OF THE ROAD AND THE LOAD BEING CARRIED.

-DO NOT USE LEITNER DESIGNS LOAD CARRIERS AND ACCESSORIES FOR PURPOSES OTHER THAN THOSE FOR WHICH THEY WERE DESIGNED. DO NOT EXCEED THEIR CARRYING CAPACITY. FAILURE TO FOLLOW THESE GUIDELINES OR THE PRODUCT'S INSTRUCTIONS WILL VOID THE WARRANTY.

# WARRANTY

LEITNER DESIGNS WARRANTS PRODUCT TO BE FREE FROM DEFECTS IN MATERIAL AND WORKMANSHIP, FOR TERMS SPECIFIED BELOW, PROVIDED THERE HAS BEEN NORMAL USE AND PROPER MAINTENANCE. ALL REMEDIES UNDER THIS WARRANTY ARE LIMITED TO THE REPAIR OR REPLACEMENT OF ANY ITEM FOUND BY THE FACTORY TO BE DEFECTIVE WITHIN THE TIME PERIOD SPECIFIED. IF YOU HAVE A WARRANTY CLAIM, FIRST YOU MUST CALL OUR FACTORY AT THE NUMBER BELOW FOR INSTRUCTIONS. YOU MUST RETAIN PROOF OF PURCHASE AND SUBMIT A COPY WITH ANY ITEMS RETURNED FOR WARRANTY WORK. UPON COMPLETION OF WARRANTY WORK, IF ANY, WE WILL RETURN THE REPAIRED OR REPLACED ITEM OR ITEMS TO YOU FREIGHT PREPAID. DAMAGE TO OUR PRODUCTS CAUSED BY ACCIDENTS, FIRE, VANDALISM, NEGLIGENCE, MIS-INSTALLATION, MISUSE, ACTS OF GOD, OR BY DEFECTIVE PARTS NOT MANUFACTURED BY US, IS NOT COVERED UNDER THIS WARRANTY.

THE WARRANTY TIME PERIOD IS AS FOLLOWS: (2) TWO YEARS FROM DATE OF PURCHASE.

**HIGH SPEED OFF ROAD DRIVING EVEN WITH A LIGHT LOAD CAN CAUSE DAMAGE TO THE RACK, ACCESSORIES AND VEHICLE BODY. DAMAGE CAUSED BY HIGH SPEED OFF ROAD DRIVING AND ABUSE IS NOT COVERED UNDER WARRANTY.**

GEAR PODS ARE WATER RESISTANT AND NOT WATERPROOF. ITEMS THAT CAN BE DAMAGED BY WATER SHOULD BE STORED INSIDE THERE OWN AIR TIGHT CONTAINER BEFORE BEING PLACED IN THE GEAR POD.

ANY IMPLIED WARRANTIES OF MERCHANTABILITY AND/OR FITNESS FOR A PARTICULAR PURPOSE CREATED HEREBY ARE LIMITED IN DURATION TO THE SAME DURATION AND SCOPE AS THE EXPRESS WRITTEN WARRANTY. OUR COMPANY SHALL NOT BE LIABLE FOR ANY INCIDENTAL OR CONSEQUENTIAL DAMAGE.

SOME STATES DO NOT ALLOW LIMITATIONS ON HOW LONG AN IMPLIED WARRANTY LASTS, OR THE EXCLUSION OR LIMITATION OF INCIDENTAL OR CONSEQUENTIAL DAMAGES, SO THE ABOVE LIMITATIONS OR EXCLUSIONS MAY NOT APPLY TO YOU. THIS WARRANTY GIVES YOU SPECIFIC LEGAL RIGHTS, AND YOU MAY ALSO HAVE OTHER RIGHTS THAT VARY FROM STATE TO STATE.

FOR WARRANTY ISSUES WITH THIS PRODUCT PLEASE CALL LEITNER DESIGNS CUSTOMER SERVICE **949-395-3049** OR EMAIL US AT **SALES@LEITNERDESIGNS.COM**