

READ ME!

Thank you for purchasing a Front Runner Drop Down Table.

Before you start, take a moment to familiarize yourself with the Fitting Instructions and the included components.

Refer to Page 2 for a list of all the components, quantities and tools required.

IMPORTANT WARNING!

IT IS CRITICAL THAT ALL FRONT RUNNER PRODUCTS BE PROPERLY AND SECURELY ASSEMBLED AND ATTACHED TO YOUR VEHICLE. IMPROPER ATTACHMENT COULD RESULT IN AN AUTOMOBILE ACCIDENT, AND COULD CAUSE SERIOUS BODILY INJURY OR DEATH. YOU ARE RESPONSIBLE FOR ASSEMBLING AND SECURING ALL FRONT RUNNER PRODUCTS TO YOUR VEHICLE, CHECKING THE ATTACHMENTS PRIOR TO USE, AND PERIODICALLY INSPECTING THE PRODUCTS FOR ADJUSTMENT, WEAR AND DAMAGE. THEREFORE, YOU MUST READ AND UNDERSTAND ALL OF THE INSTRUCTIONS AND PRECAUTIONS SUPPLIED WITH YOUR FRONT RUNNER PRODUCT PRIOR TO INSTALLATION OR USE. IF YOU DO NOT UNDERSTAND ALL OF THE INSTRUCTIONS AND CAUTIONS, OR IF YOU HAVE NO MECHANICAL EXPERIENCE AND ARE NOT THOROUGHLY FAMILIAR WITH THE INSTALLATION PROCEDURES, YOU SHOULD HAVE THE PRODUCT INSTALLED BY A PROFESSIONAL INSTALLER OR OTHER QUALIFIED PERSONNEL.

NOTE: Front Runner will not be responsible for any damage caused by the failure to install the product according to these instructions.

Please call us if you have any questions about the installation of this product.



1 GET ORGANIZED

IN THE BOX

1	1 X	Drop Down Table
2	4 X	Spacer 8.2 x 18 x 10
3	4 X	Jack Nut M6
4	4 X	M6 x 25 Button Head
5	8 X	M6 x 19 x 1 Flat Washer
6	4 X	M6 Spring Washer
7	4 X	M6 x 50 Button Head
8	2 X	Spacer 6.2 x 10 x 35
9	2 X	Spacer 6.2 x 10 x 30
10	6 X	M6 x 12 x 1 Flat Washer
11	3 X	M6 x 12 Button Head
12	3 X	M6 Nyloc Nut
13	1 X	Jack Nut Tool
14	4 X	M6 x 30 Button Head
15	1 X	Support Bracket For Jeep JL

TOOLS NEEDED

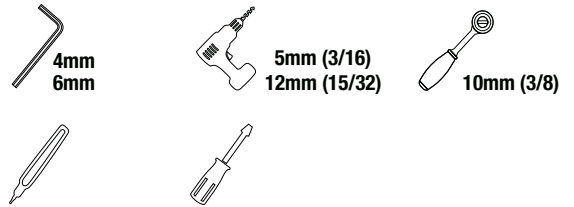
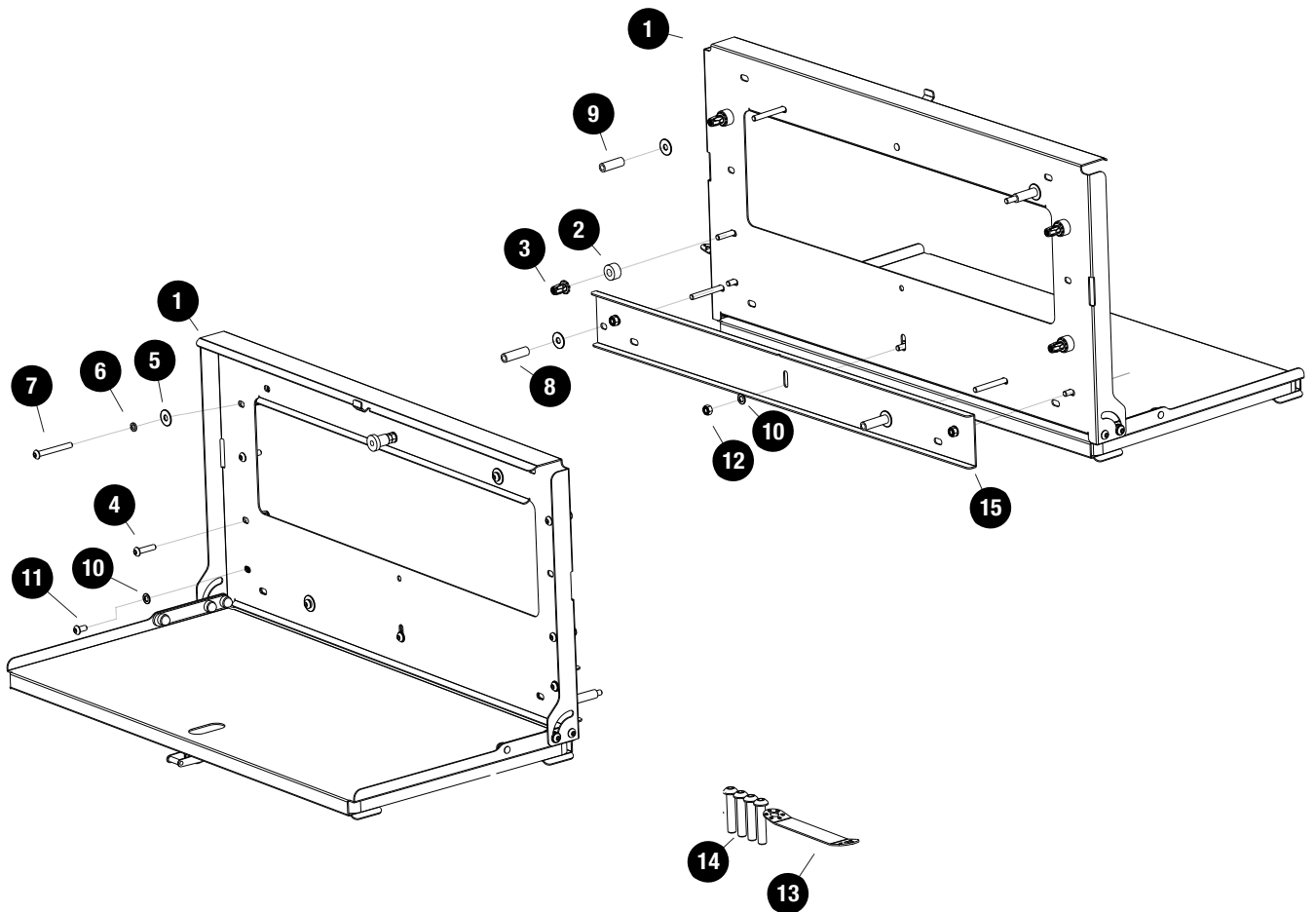


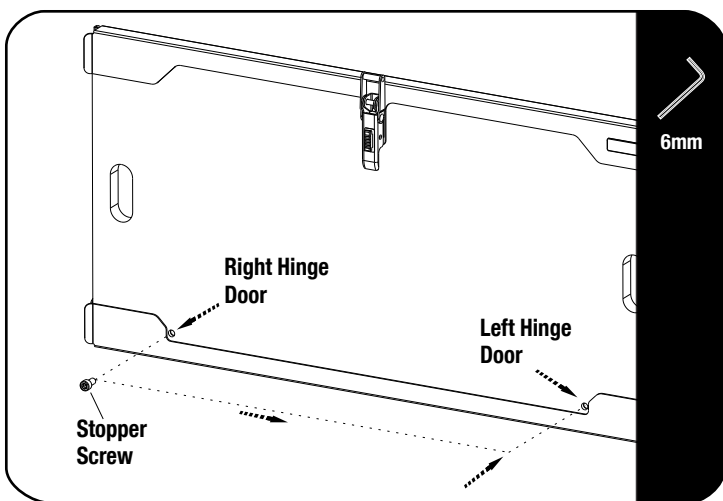
FIGURE 1.1



2

FIT AND SECURE

2.1



🔄 If your vehicle has a door that opens to the left side, you need to reposition the Stopper Screw. Do this by removing it from the left side of the Sliding Board and refitting it on the right side as shown in 2.1.

If your vehicle has a door that opens to the right side, move on to 2.2.

2.2



🔄 Find a suitable flat surface to mount the table.

⚠️ Before marking, check that the Drop Down Table and Sliding Board do not interfere with anything when opened and extended.

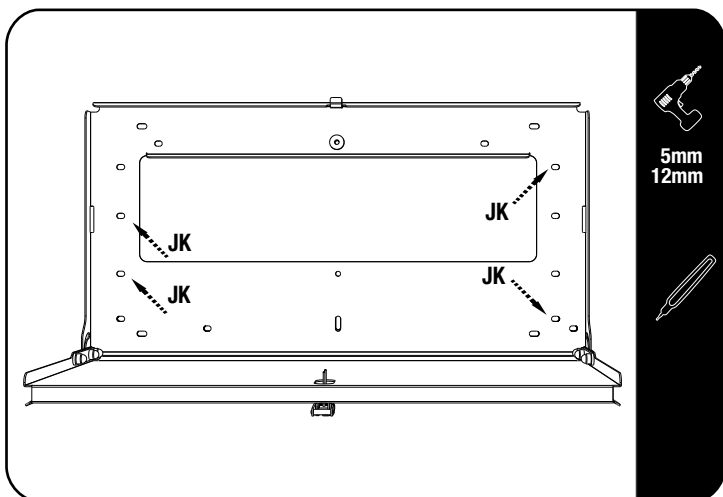
JEEP JK INSTALLATION

If you are fitting the Drop Down Table to a Jeep JK, refer to step 2.2 for positioning. Remove the trim panel if fitted.

Close the rear door and place the table on the carpet inside the Jeep's cargo area with the back of the table against the inside of the door.

Move the Drop Down Table as far to the right as possible as shown in 2.2

2.3

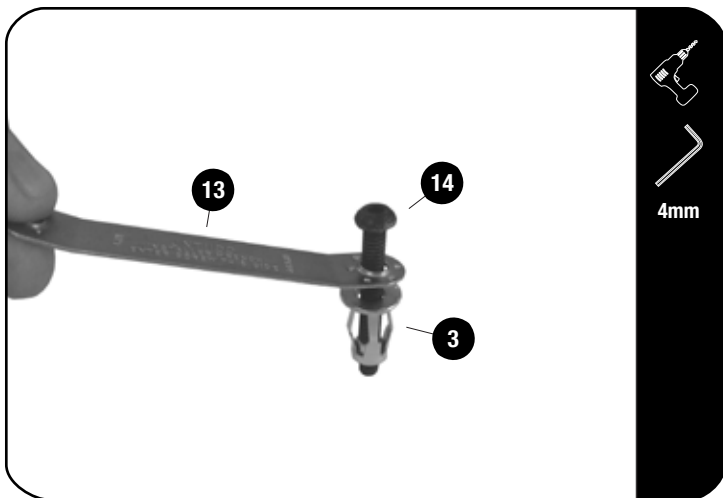


🔄 Drill 5mm pilot holes on the marks made, using light pressure and taking care only to drill through the interior panel. Widen the holes to 12mm.

2

FIT AND SECURE

2.4



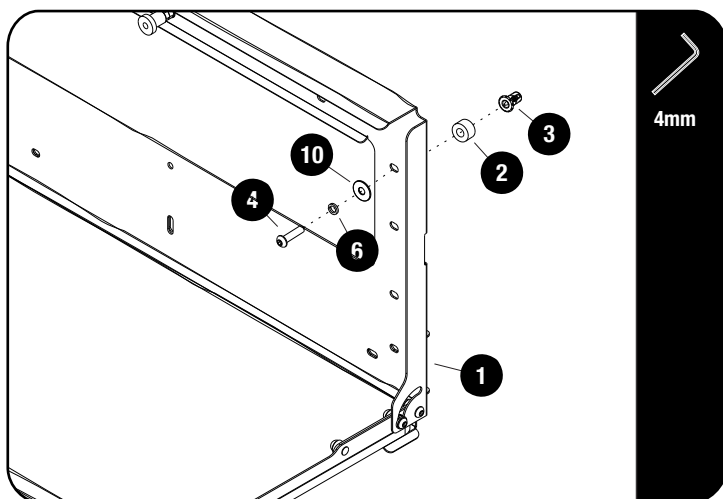
Insert a M6 x 30 Button Head Bolt (Item 14) into the one side of the Jack Nut Tool (Item 13).

Loosely tighten a Jack Nut (Item 3) onto the Button Head Bolt as shown.

Place the assembly into one of the holes drilled in 2.3. Using a Cordless Drill and a 4mm Allen Key Bit, set the Jack Nut (Item 3) into the hole while holding the Jack Nut Tool firmly.

Make sure that the Jack Nut has pulled up all the way to the inside skin of the door panel.

2.5



Secure the Drop Down Table using M6 x 25 Button Heads, M6 Spring Washers, M6 x 12 x 1 Flat Washers and Spacers (Items 2, 4, 6 & 10) as shown.



The table may touch the cargo area mat on models fitted with a floor subwoofer.

TIP: Keep the door closed for 24 hours to allow the mat to form fit to the table's shape.

2.6



JEEP JL INSTALLATION

Remove the trim panel from the rear door by carefully unclipping it with a panel tool or other similar tool.

3

FIT AND SECURE

2.7



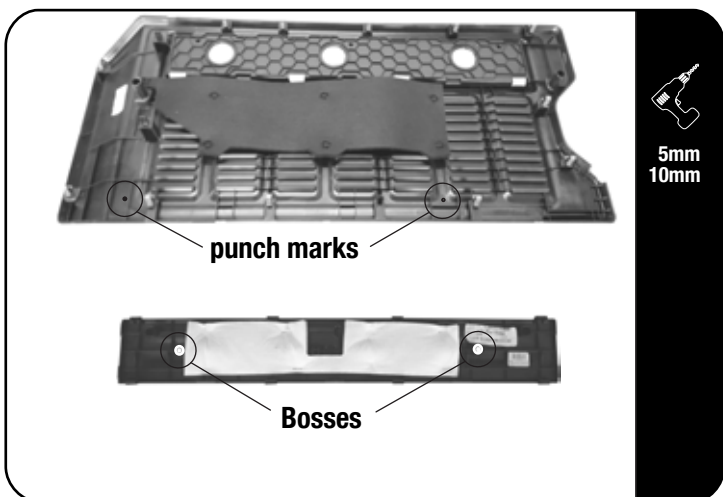
↻ If your vehicle has the cargo Rail fitted, remove it by loosening and removing the three bolts shown.

2.8



↻ Remove the trim panel.

2.9



↻ At the inside of the trim panel, locate the two factory indicator punch marks.

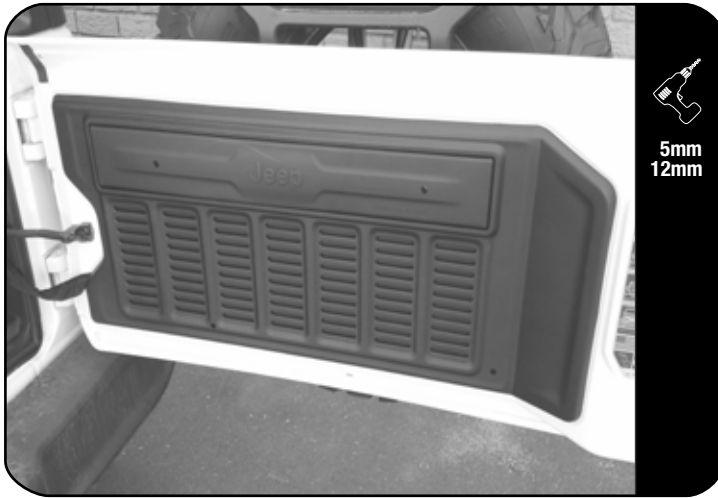
Using a 5mm drill bit, drill pilot holes on these marks. Open the holes with a 10mm drill bit.

On the inside of the smaller top trim panel, locate the two round bosses shown.

Using an 5mm drill bit, drill pilot holes in the center of each boss. Widen the holes using a 10mm drill bit.

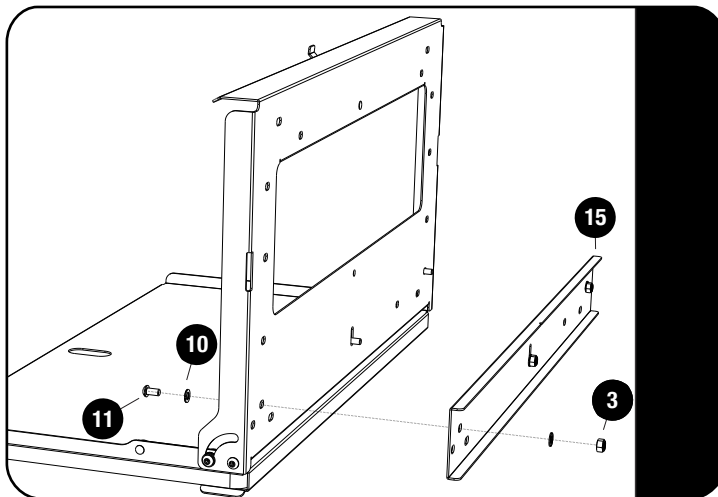
3**FIT AND SECURE**

2.10

5mm
12mm

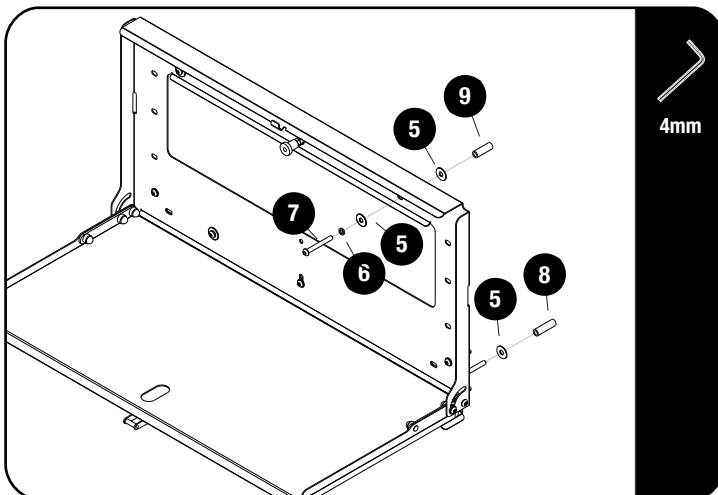
↻ Refit the two trim panels to the rear door.

2.11



↻ Secure the Support Bracket (Item 15) to the back of the Drop Down Table using M6 x 12 Button Head Bolts, M6 x 12 x 1 Flat Washers and M6 Nyloc Nuts (Items 10, 11 & 12) using the holes shown.

2.12



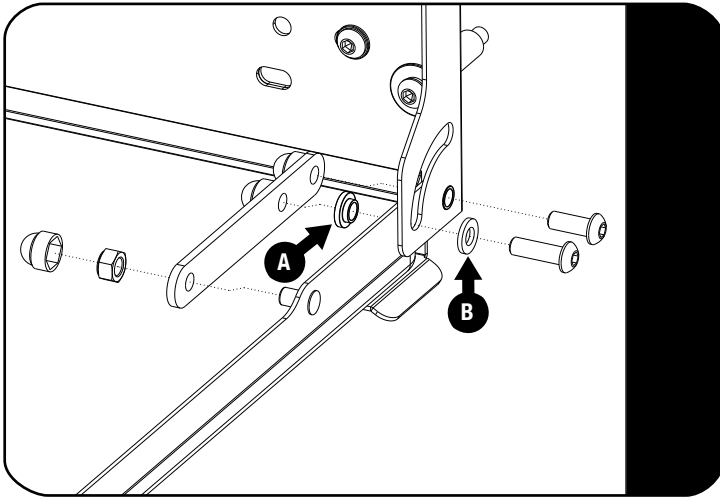
4mm

↻ Insert two 30mm Spacers (Item 9) in the top two holes and two 35mm Spacers (Item 8) in the bottom holes drilled earlier in the trim panels.

Secure the Drop Down Table to the rear door using M6 x 50 Button Head Bolts, M6 Spring Washers and M6 x 19 x 1 Flat Washers (Items 5, 6 & 7) as shown.

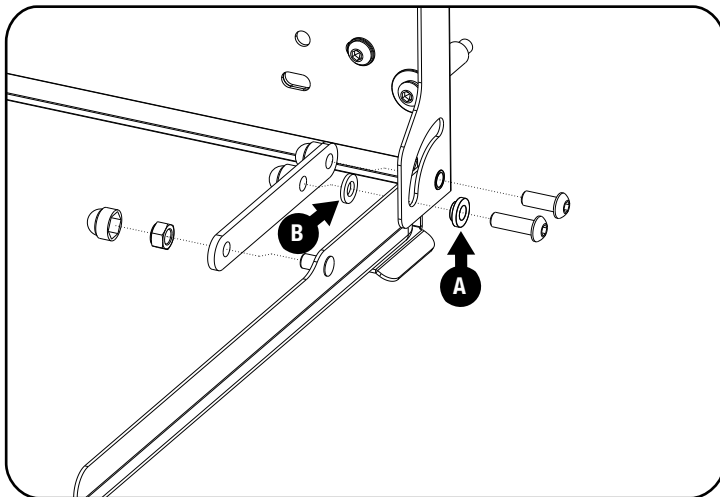
4 FIT AND SECURE - OPENING TABLE ANGLE

4.1



🔄 If you want the Drop Down Table to open wider (if the door flex doesn't allow it to open 90 degrees), remove fasteners on both sides.

4.2



🔄 Refit the table as shown exchanging fastener A and B's location.

3 FINISH

Congratulations! You did it. Take a step back and admire your work!

4 INSTALL OTHER VEHICLE AND RACK ACCESSORIES

Now's the time to visit your favorite Front Runner dealer in person or online.

Be sure to tag us. We love to see our gear in action! #FrontRunnerOutfitters #BornToRoam

Share your adventures on: 