**READ ME !** 

Thank you for purchasing a Front Runner Cargo Fridge Slide 55L.

Before you start, take a moment to familiarize yourself with the Fitting Instructions and the included components.

Refer to Page 2 for a list of all the components, quantities and tools required.

IMPORTANT WARNING! 

IT IS CRITICAL THAT ALL FRONT RUNNER PRODUCTS BE PROPERLY AND SECURELY ASSEMBLED AND ATTACHED TO YOUR VEHICLE. IMPROPER ATTACHMENT COULD RESULT IN AN AUTOMOBILE ACCIDENT, AND COULD CAUSE SERIOUS BODILY INJURY OR DEATH. YOU ARE RESPONSIBLE FOR ASSEMBLING AND SECURING ALL FRONT RUNNER PRODUCTS TO YOUR VEHICLE, CHECKING THE ATTACHMENTS PRIOR TO USE, AND PERIODICALLY INSPECTING THE PRODUCTS FOR ADJUSTMENT, WEAR AND DAMAGE. THEREFORE, YOU MUST READ AND UNDERSTAND ALL OF THE INSTRUCTIONS AND PRECAUTIONS SUPPLIED WITH YOUR FRONT RUNNER PRODUCT PRIOR TO INSTALLATION OR USE. IF YOU DO NOT UNDERSTAND ALL OF THE INSTRUCTIONS AND CAUTIONS, OR IF YOU HAVE NO MECHANICAL EXPERIENCE AND ARE NOT THOROUGHLY FAMILIAR WITH THE INSTALLATION PROCEDURES, YOU SHOULD HAVE THE PRODUCT INSTALLED BY A PROFESSIONAL INSTALLER OR OTHER QUALIFIED PERSONNEL.

NOTE: Front Runner will not be responsible for any damage caused by the failure to install the product according to these instructions.

Please call us if you have any questions about the installation of this product.



1 GET ORGANIZED

Mounting Hardware for Wooden Deck or Drawer System

1	1 X	Fridge Slide 55L
2	4 X	M6 x 16 Button Head
3	4 X	Strap
4	12 X	M6 x 19 x 1 Flat Washer
5	6 X	M6 x 25 Hex Head Bolt
6	6 X	M6 Wood Insert

TOOLS NEEDED



Mounting Hardware for Flat Surface Using Rivnuts

1	1 X	Fridge Slide 55L
2	4 X	M6 x 16 Button Head
3	4 X	Strap
4	12 X	M6 x 19 x 1 Flat Washer
5	6 X	M6 x 25 Hex Head Bolt
7	6 X	M6 Rivnut

TOOLS NEEDED



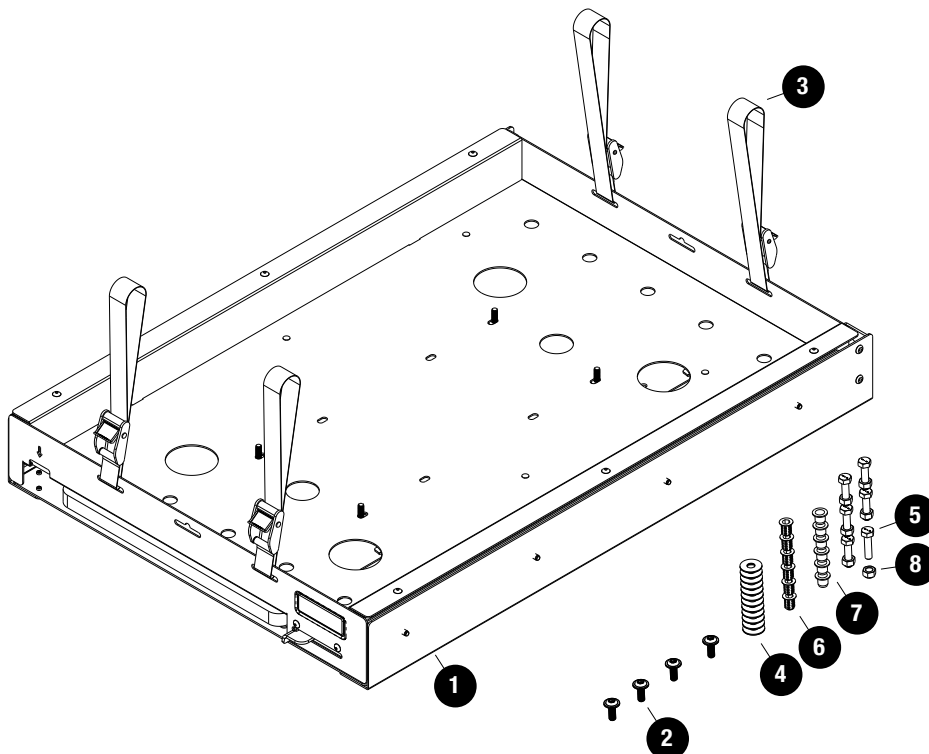
Mounting Hardware for Flat Surface Using Nuts & Bolts

1	1 X	Fridge Slide 55L
2	4 X	M6 x 16 Button Head
3	4 X	Strap
4	12 X	M6 x 19 x 1 Flat Washer
5	6 X	M6 x 25 Hex Head Bolt
8	6 X	M6 Nyloc Nut

TOOLS NEEDED

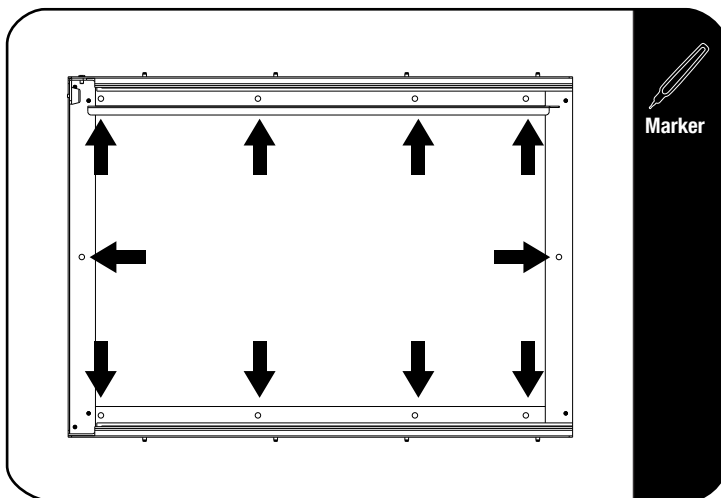


FIGURE 1.1



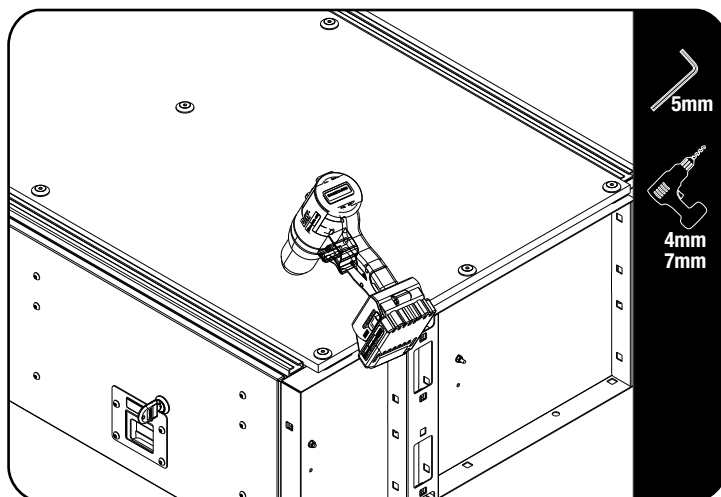
2**FIT AND SECURE - WOODEN DECK OR DRAWER SYSTEM**

2.1



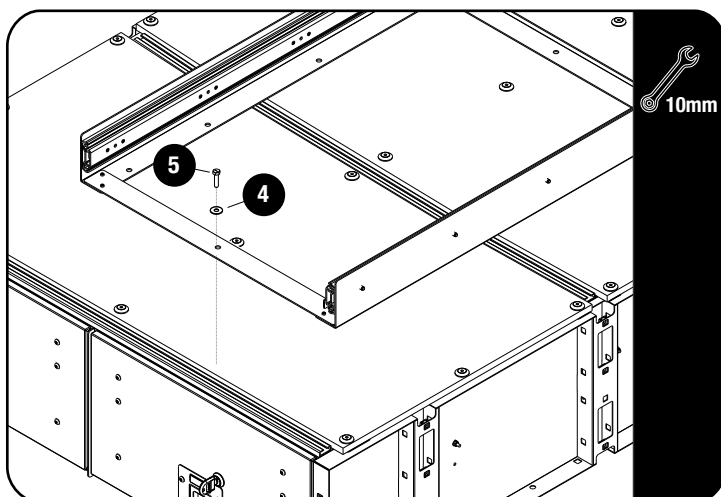
Place the Fridge Slide (Item 1) on the suitable surface, open the slide and mark the positions as shown as indicated by the arrows (at least 6 fixing points recommended).

2.2



Remove the Fridge Slide and Drill a 7mm hole through the wood on each of your markings. Loosen and remove the deck. Turn the deck upside down and screw the Wood Inserts (Item 6) into each of the holes drilled in step 2.1.

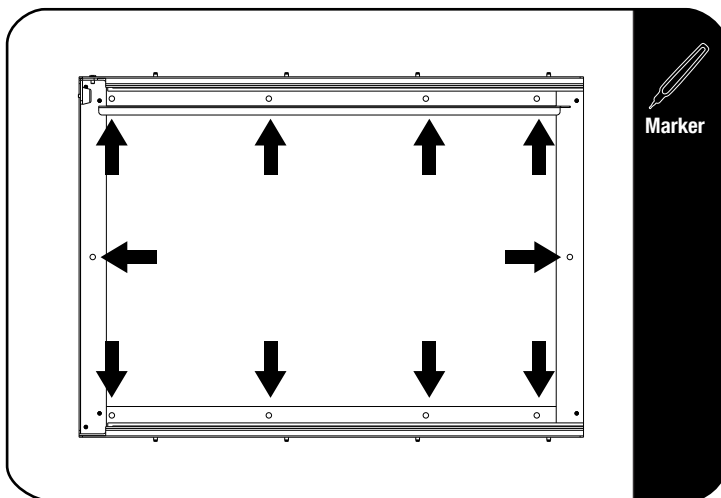
2.3



Secure the Deck back onto the drawer system. Place the fridge Slide (Item 1) back into position and secure using M6 x 20 Hex Bolts and M6 x 19 x 1 Flat Washers (Items 4 & 5).

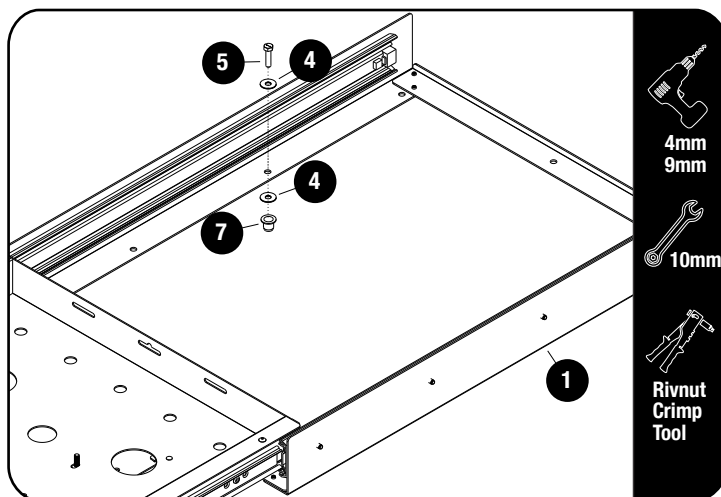
3**FIT AND SECURE - FLAT SURFACE USING RIVNUTS**

3.1



Place the Fridge Slide (Item 1) on the suitable surface, open the slide and mark the positions as shown as indicated by the arrows (at least 6 fixing points recommended).

3.2



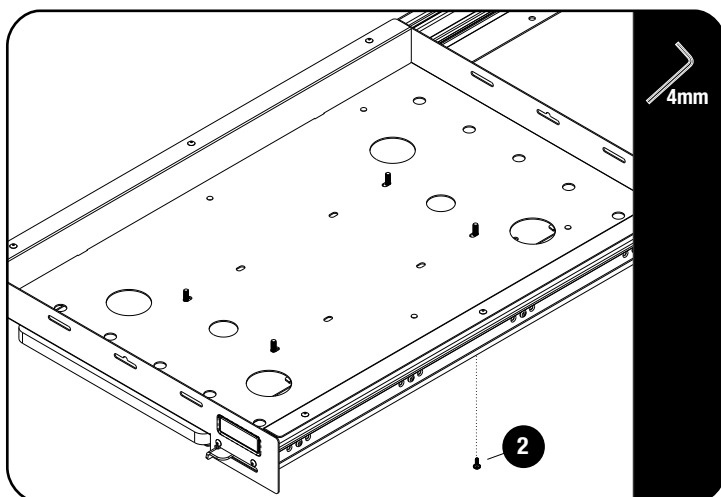
Keeping the markings in mind, look below the vehicle for any obstructions.

Remove the Fridge Slide (Item 1) and drill a 4mm pilot hole on each of the markings, open the holes to 9mm.

Insert and Crimp a M6 Rivnut (Item 7) into each hole.

Secure the Fridge Slide (Item 1) to a flat surface using M6 x 25 Hex Head Bolts and M6 x 19 x 1 Flat Washers (Items 4 & 5).

3.3

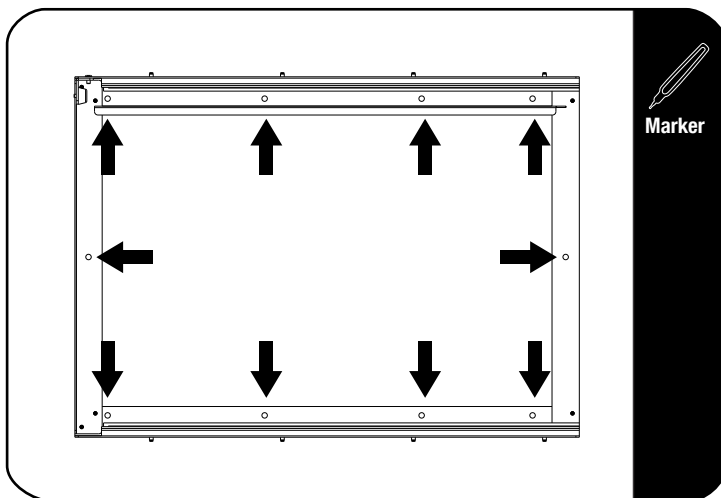


The M6 x 16 Button Head Bolts (Item 2), supplied are used to secure a Dometic Fridge.

4

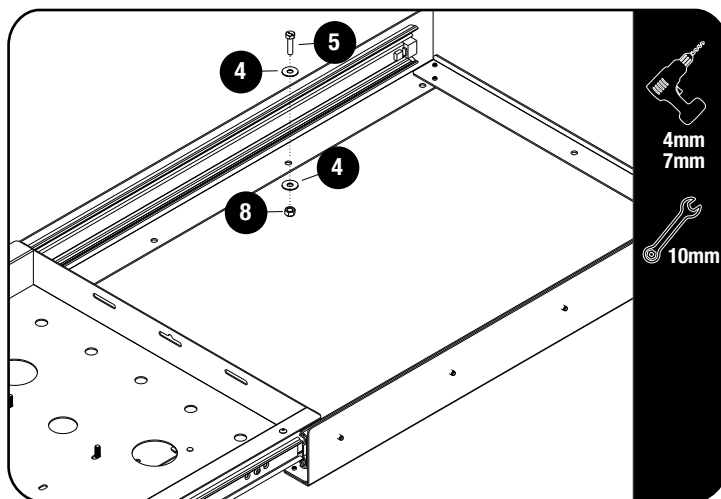
FIT AND SECURE - FLAT SURFACE USING NUTS AND BOLTS

4.1



Place the Fridge Slide (Item 1) on the suitable surface, open the slide and mark the positions as shown as indicated by the arrows (at least 6 fixing points recommended).

4.2

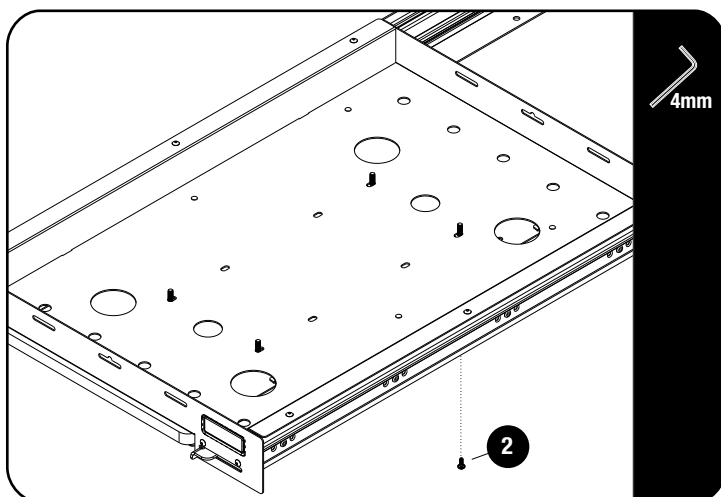


Keeping the markings in mind, look below the vehicle for any obstructions.

Remove the Fridge Slide (Item 1) and drill a 4mm pilot hole on each of the markings, open the holes to 7mm.

Secure the Fridge Slide (Item 1) to a flat surface using M6 x 25 Hex Head Bolts, M6 x 19 x 1 Flat Washers & M6 Nyloc Nuts (Items 4, 5 & 8).

4.3



The M6 x 16 Button Head Bolts (Item 2), supplied are used to secure a Dometic Fridge.

5

FINISH





Congratulations! You did it. Take a step back and admire your work!

6

INSTALL OTHER VEHICLE AND RACK ACCESSORIES

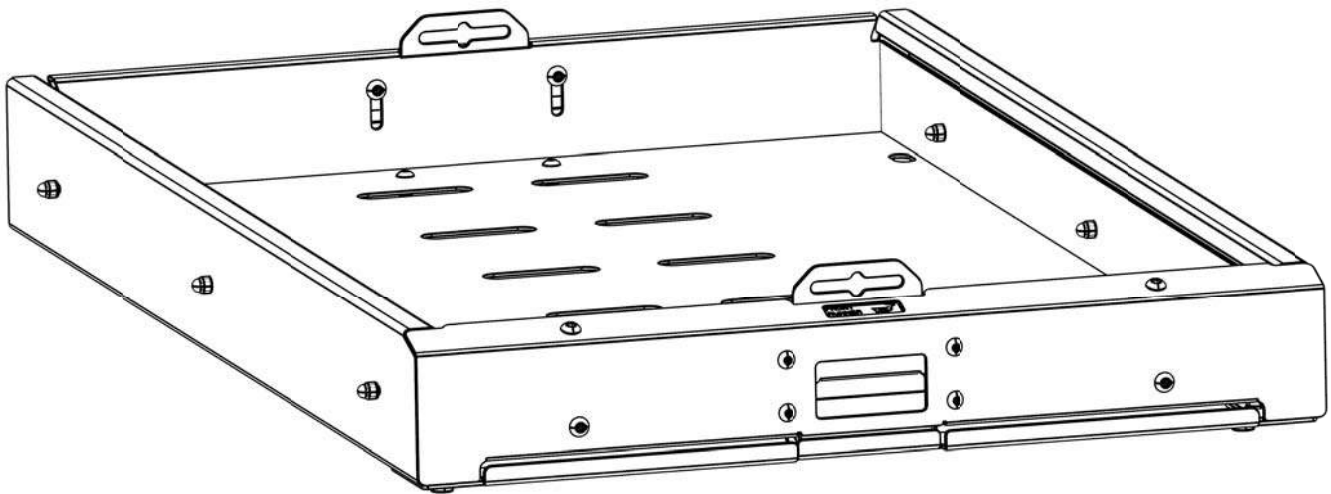
Now's the time to visit your favorite Front Runner Dealer in person or online.

Be sure to tag us. We love to see our gear in action! #FrontRunnerOutfitters #BornToRoam

Share your adventures on:    



INSTALL TIME: 30 mins



IMPORTANT WARNING!

IT IS CRITICAL THAT ALL FRONT RUNNER PRODUCTS BE PROPERLY AND SECURELY ASSEMBLED AND ATTACHED TO YOUR VEHICLE. IMPROPER ATTACHMENT COULD RESULT IN AN AUTOMOBILE ACCIDENT, AND COULD CAUSE SERIOUS BODILY INJURY OR DEATH TO YOU OR TO OTHERS. YOU ARE RESPONSIBLE FOR ASSEMBLING AND SECURING ALL FRONT RUNNER PRODUCTS TO YOUR VEHICLE, CHECKING THE ATTACHMENTS PRIOR TO USE, AND PERIODICALLY INSPECTING THE PRODUCTS FOR ADJUSTMENT, WEAR, AND DAMAGE. THEREFORE, YOU MUST READ AND UNDERSTAND ALL OF THE INSTRUCTIONS AND CAUTIONS SUPPLIED WITH YOUR FRONT RUNNER PRODUCT PRIOR TO INSTALLATION OR USE. IF YOU DO NOT UNDERSTAND ALL OF THE INSTRUCTIONS AND CAUTIONS, OR IF YOU HAVE NO MECHANICAL EXPERIENCE AND ARE NOT THOROUGHLY FAMILIAR WITH THE INSTALLATION PROCEDURES, YOU SHOULD HAVE THE PRODUCT INSTALLED BY A PROFESSIONAL INSTALLER OR OTHER QUALIFIED PERSONNEL.

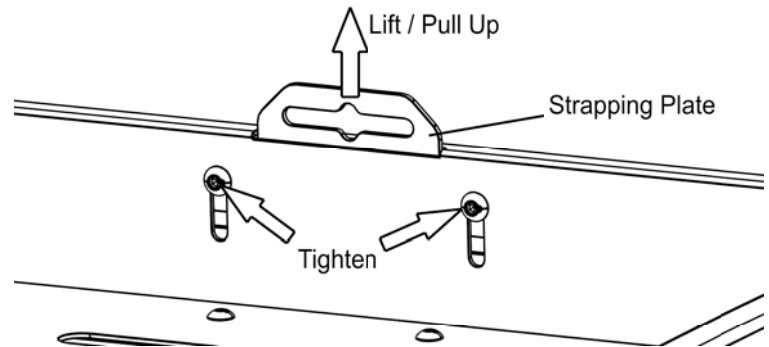
1 GET ORGANIZED...

SECURE STRAPPING PLATES

The front and rear Strapping Plates are shipped loosely fastened. Lift / pull the Plates up until they hard stop and secure in position by tightening the M6 Button Head Bolts as shown.

You will need:

- 4 mm Hex Key



Below is a list of Tools and Components you will require for each of the recommend methods of fitting your Fridge Slide. Take a moment to familiarize yourself with these Fitting Instructions all the components received.

MOUNTING TO A DRAW SYSTEM OR WOODEN DECK- SECTION 2

You will need:

- 4 mm & 6 mm Hex Key
- Drill Machine
- 7 mm Drill Bit
- Marking Pen
- 10 mm Flat or Socket Wrench

Item #	Quantity	Description
1	6	M6 x 20 HEX BOLT
2	6	M6 SPRING WASHER
3	6	M6 x 19 FLAT WASHER
4	6	M6 WOOD INSERT

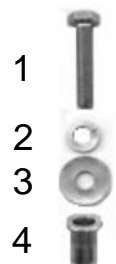


MOUNTING TO LOAD BAY USING RIVNUTS - SECTION 3

You will need:

- 10 mm Flat or Socket Wrench
- Drill Machine
- 9 mm Drill Bit
- Riv Nut Tool
- Marking Pen

Item #	Quantity	Description
1	6	M6 x 30 HEX BOLT
2	6	M6 SPRING WASHER
3	6	M6 x 19 FLAT WASHER
4	6	M6 RIV NUT



MOUNTING TO LOAD BAY USING NUTS & BOLTS - SECTION 4

You will need:

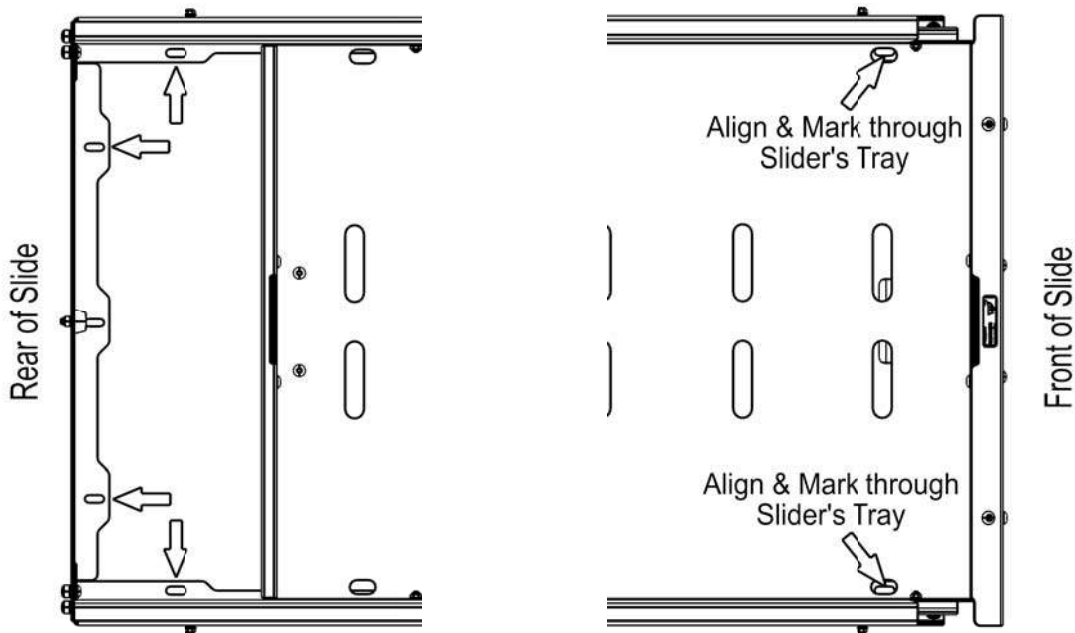
- 10 mm Flat & Socket Wrench
- Drill Machine
- 6.5 mm Drill Bit
- Marking Pen

Item #	Quantity	Description
1	6	M6 x 30 HEX BOLT
2	12	M6 x 19 FLAT WASHER
3	6	M6 NYLOC NUT



2 MOUNTING TO A DRAW SYSTEM OR WOODEN DECK

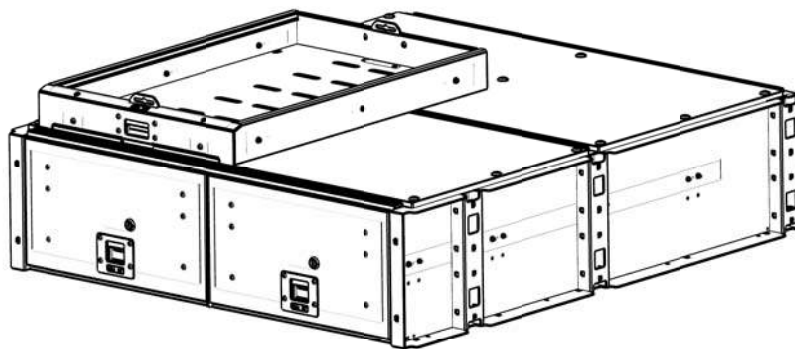
- (A) Place your Fridge Slide on top of the wooden deck / Draw System in the desired location. Open the Fridge Slide and mark the position of the six mounting points as indicated by the arrows onto the deck.



- (B) Remove the Fridge Slide and drill a 7 mm hole through the wood on each of your markings. Loosen and remove the wooden decks. If you have a Draw System with two layers of wood, it is only necessary to remove the top layer. Turn the Decks upside down and screw a Wood Insert into each of the 7 mm holes drilled in Step 1A.

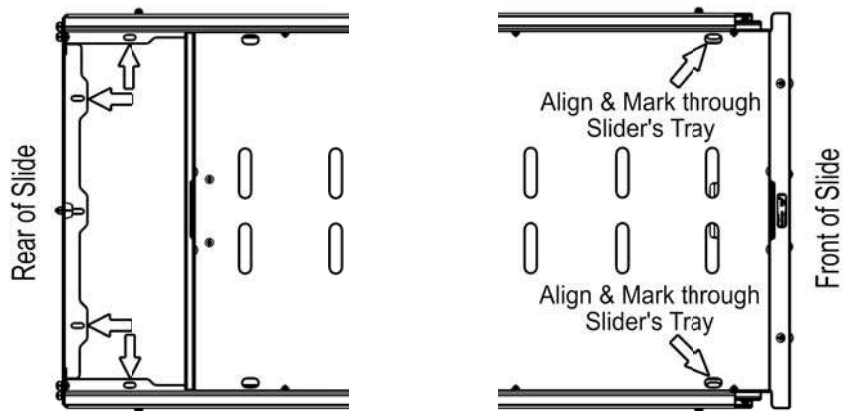
- (C) Secure the Decks back onto the Draw System. Place the Fridge Slide back into position and secure using M6 x 20 Hex Bolts, M6 Spring Washers and M6 x 19 Flat Washers supplied.

- (D) Congratulations, you have completed your installation. Take a step back and admire your work. Good Job!



3 MOUNTING TO LOAD BAY USING RIVNUTS

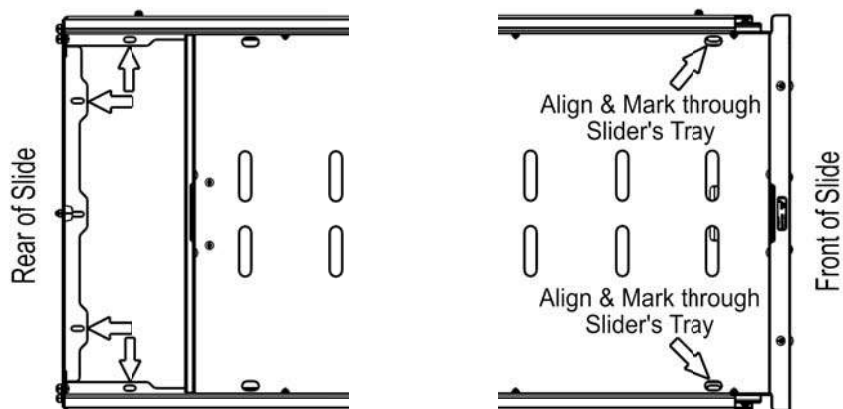
- (A) Place your Fridge Slide in the desired location. Open the Fridge Slide and mark the position of the six mounting points as indicated by the arrows onto the load bay. Remove the Fridge Slider.



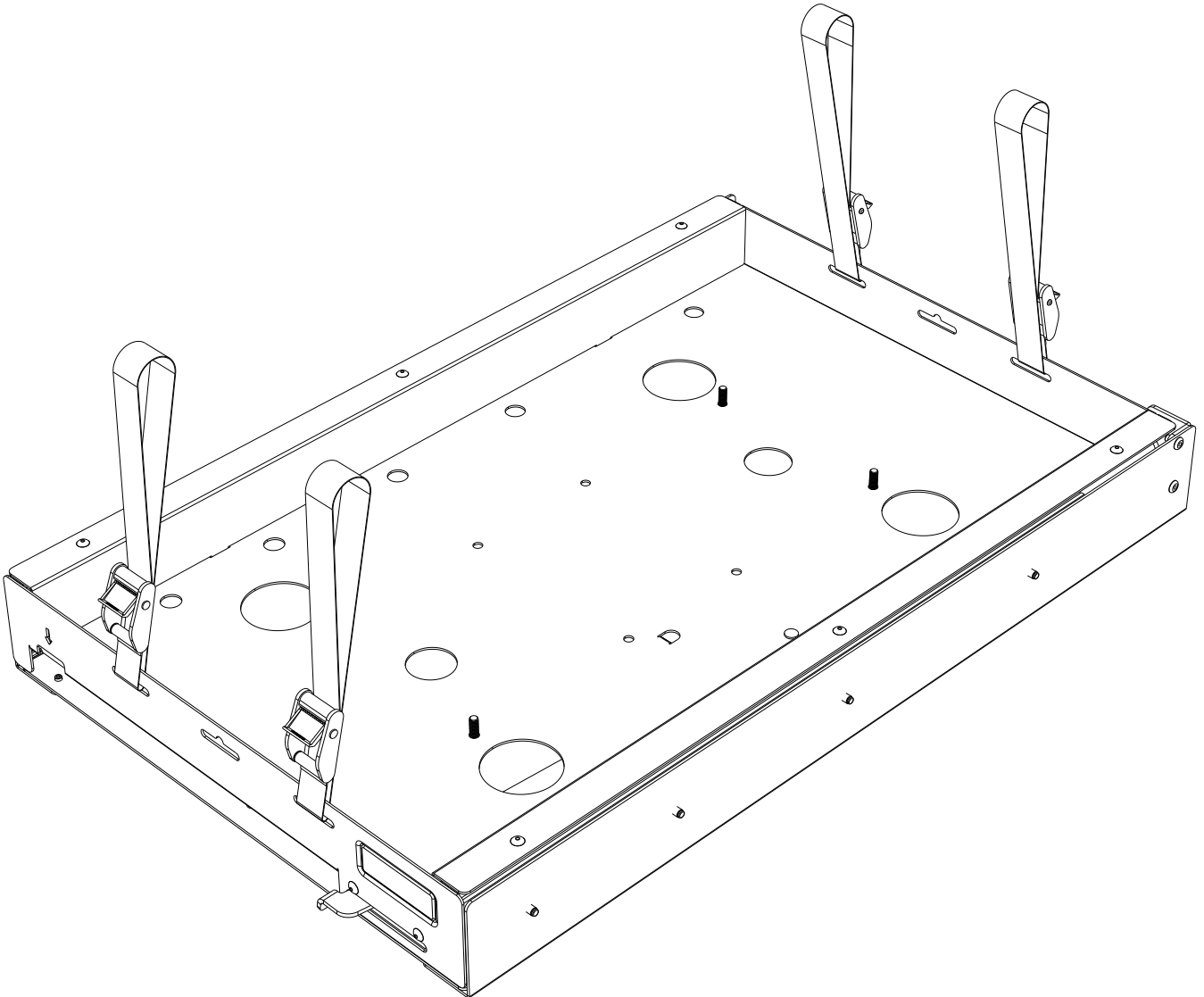
- (B) Drill a 9 mm hole on each of the markings. Insert and crimp a M6 Rivnut into each hole. Place the Fridge Slide back in position and secure using the M6 x 30 Hex Bolts, M6 Spring Washers and M6 Flat Washers supplied.

4 MOUNTING TO LOAD BAY USING NUTS & BOLTS

- (A) Place your Fridge Slide in the desired location. Open the Fridge Slide and mark the position of the six mounting points as indicated by the arrows onto the load bay. Remove the Fridge Slider.



- (B) Drill a 9 mm hole on each of the markings. Place the Fridge Slide back in position and secure using the M6 x 30 Hex Bolts, M6 Spring Washers and M6 Flat Washers and M6 Nyloc Nuts supplied.



READ ME !

Thank you for purchasing a Front Runner Cargo Fridge Slide 40L - 60L.
Before you start, take a moment to familiarize yourself with the Fitting Instructions and the included components.
Refer to Page 2 for a list of all the components, quantities and tools required.

IMPORTANT WARNING!

IT IS CRITICAL THAT ALL FRONT RUNNER PRODUCTS BE PROPERLY AND SECURELY ASSEMBLED AND ATTACHED TO YOUR VEHICLE. IMPROPER ATTACHMENT COULD RESULT IN AN AUTOMOBILE ACCIDENT, AND COULD CAUSE SERIOUS BODILY INJURY OR DEATH. YOU ARE RESPONSIBLE FOR ASSEMBLING AND SECURING ALL FRONT RUNNER PRODUCTS TO YOUR VEHICLE, CHECKING THE ATTACHMENTS PRIOR TO USE, AND PERIODICALLY INSPECTING THE PRODUCTS FOR ADJUSTMENT, WEAR AND DAMAGE. THEREFORE, YOU MUST READ AND UNDERSTAND ALL OF THE INSTRUCTIONS AND PRECAUTIONS SUPPLIED WITH YOUR FRONT RUNNER PRODUCT PRIOR TO INSTALLATION OR USE. IF YOU DO NOT UNDERSTAND ALL OF THE INSTRUCTIONS AND CAUTIONS, OR IF YOU HAVE NO MECHANICAL EXPERIENCE AND ARE NOT THOROUGHLY FAMILIAR WITH THE INSTALLATION PROCEDURES, YOU SHOULD HAVE THE PRODUCT INSTALLED BY A PROFESSIONAL INSTALLER OR OTHER QUALIFIED PERSONNEL.

NOTE: Front Runner will not be responsible for any damage caused by the failure to install the product according to these instructions.
Please call us if you have any questions about the installation of this product.



1 GET ORGANIZED

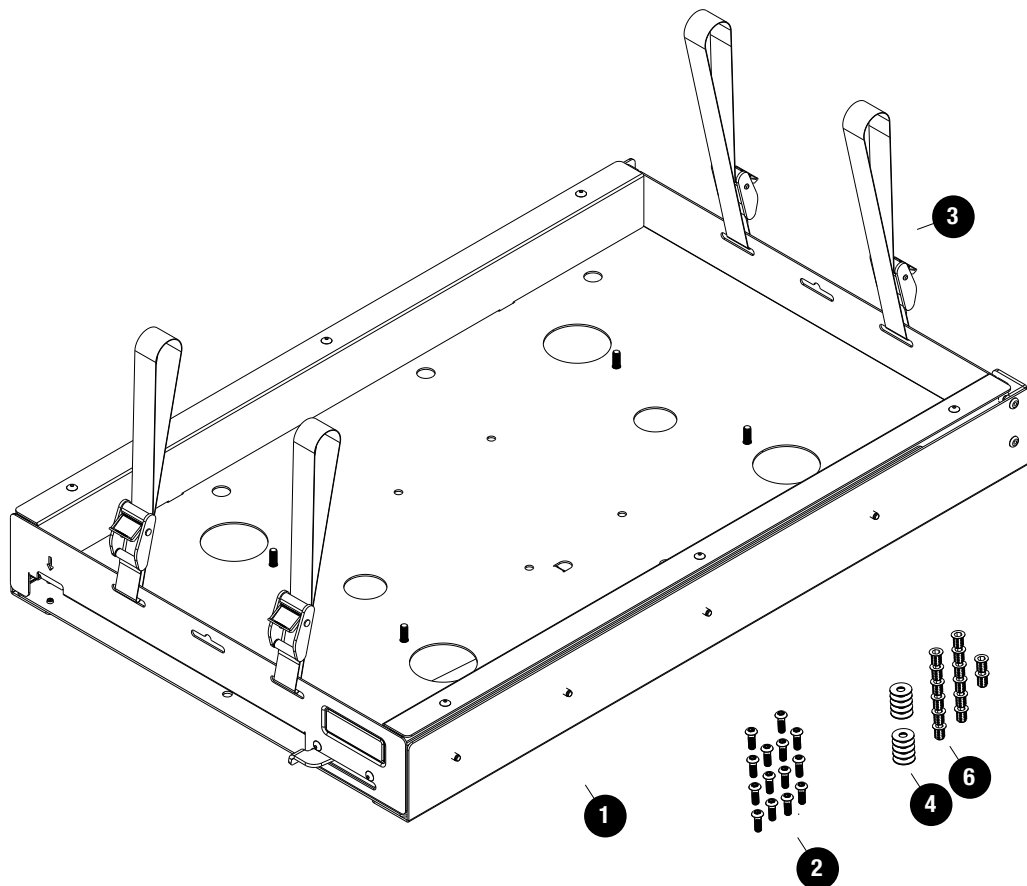
Mounting Hardware for Wooden Deck or Drawer System

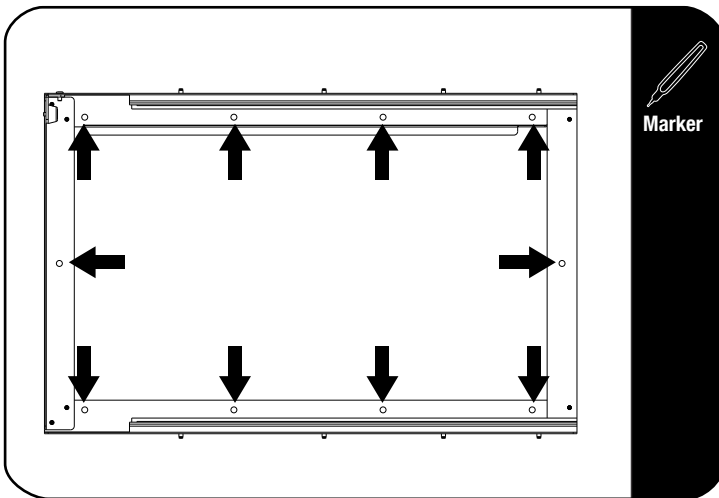
1	1 X	Fridge Slide 40L - 60L
2	14 X	M6 x 16 Button Head
3	4 X	Strap
4	14 X	M6 x 19 x 1 Flat Washer
6	10 X	M6 Wood Insert

TOOLS NEEDED

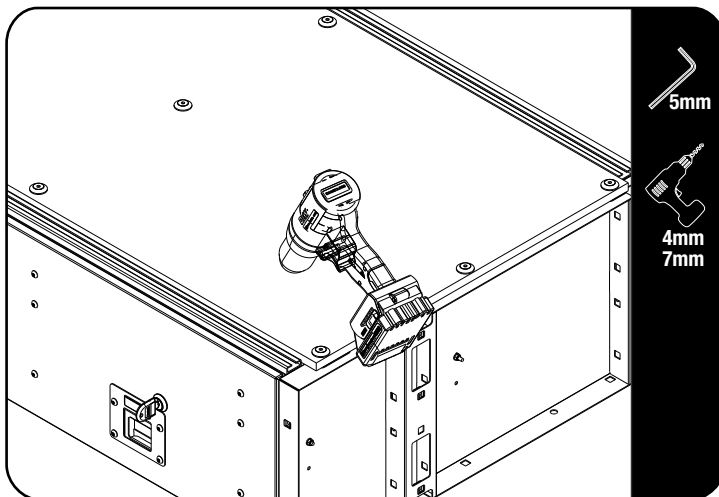


FIGURE 1.1

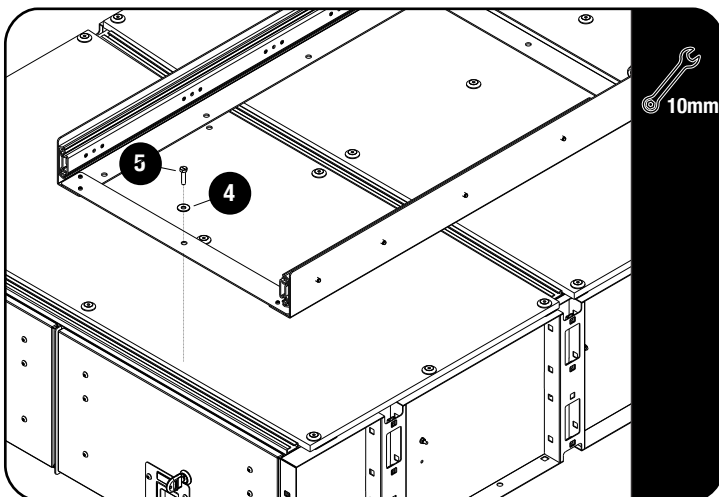


2**FIT AND SECURE - WOODEN DECK OR DRAWER SYSTEM****2.1**

Place the Fridge Slide (Item 1) on the suitable surface, open the slide and mark the positions as shown as indicated by the arrows (at least 6 fixing points recommended).

2.2

Remove the Fridge Slide and Drill a 7mm hole through the wood on each of your markings. Loosen and remove the deck. Turn the deck upside down and screw the Wood Inserts (Item 6) into each of the holes drilled in step 2.1.

2.3

Secure the Deck back onto the drawer system. Place the fridge Slide (Item 1) back into position and secure using M6 x 20 Hex Bolts and M6 x 19 x 1 Flat Washers (Items 4 & 5).

5

FINISH


Congratulations! You did it. Take a step back and admire your work!

6

INSTALL OTHER VEHICLE AND RACK ACCESSORIES

Now's the time to visit your favorite Front Runner Dealer in person or online.

Be sure to tag us. We love to see our gear in action! #FrontRunnerOutfitters #BornToRoam

Share your adventures on:    



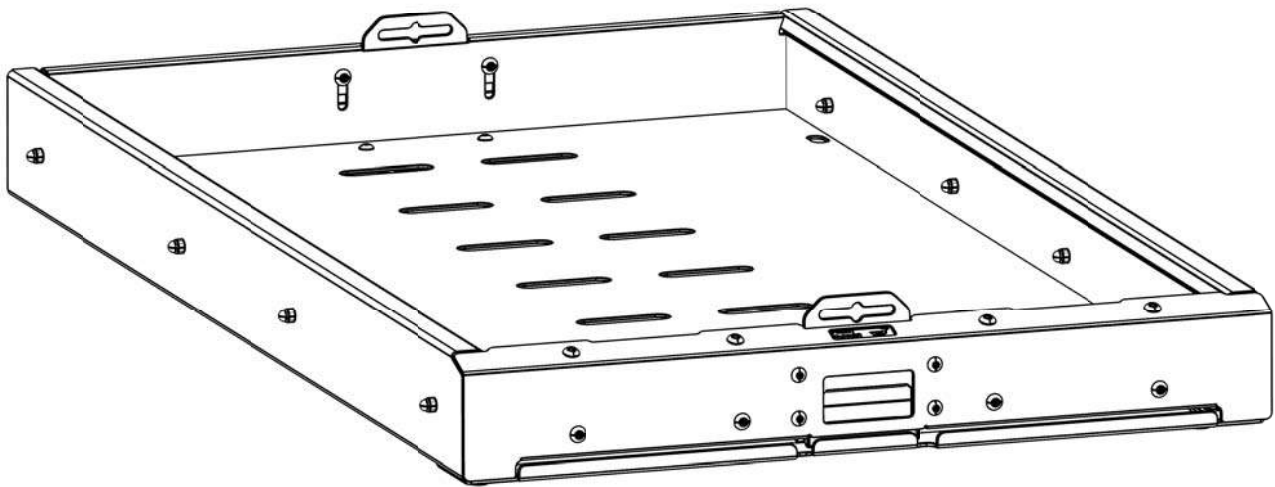
FRONT RUNNER

52L - 80L FRIDGE SLIDE

ENG

FSLI006

 **INSTALL TIME: 30 mins**



IMPORTANT WARNING!

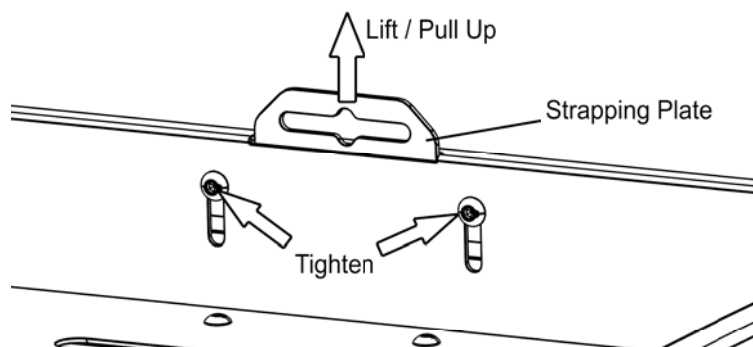
IT IS CRITICAL THAT ALL FRONT RUNNER PRODUCTS BE PROPERLY AND SECURELY ASSEMBLED AND ATTACHED TO YOUR VEHICLE. IMPROPER ATTACHMENT COULD RESULT IN AN AUTOMOBILE ACCIDENT, AND COULD CAUSE SERIOUS BODILY INJURY OR DEATH TO YOU OR TO OTHERS. YOU ARE RESPONSIBLE FOR ASSEMBLING AND SECURING ALL FRONT RUNNER PRODUCTS TO YOUR VEHICLE, CHECKING THE ATTACHMENTS PRIOR TO USE, AND PERIODICALLY INSPECTING THE PRODUCTS FOR ADJUSTMENT, WEAR, AND DAMAGE. THEREFORE, YOU MUST READ AND UNDERSTAND ALL OF THE INSTRUCTIONS AND CAUTIONS SUPPLIED WITH YOUR FRONT RUNNER PRODUCT PRIOR TO INSTALLATION OR USE. IF YOU DO NOT UNDERSTAND ALL OF THE INSTRUCTIONS AND CAUTIONS, OR IF YOU HAVE NO MECHANICAL EXPERIENCE AND ARE NOT THOROUGHLY FAMILIAR WITH THE INSTALLATION PROCEDURES, YOU SHOULD HAVE THE PRODUCT INSTALLED BY A PROFESSIONAL INSTALLER OR OTHER QUALIFIED PERSONNEL.

1 GET ORGANIZED...

SECURE STRAPPING PLATES

The front and rear Strapping Plates are shipped loosely fastened. Lift / pull the Plates up until they hard stop and secure in position by tightening the M6 Button Head Bolts as shown.

- You will need:
- 4 mm Hex Key



Below is a list of Tools and Components you will require for each of the recommend methods of fitting your Fridge Slide. Take a moment to familiarize yourself with these Fitting Instructions all the components received.

MOUNTING TO A DRAWER SYSTEM OR WOODEN DECK- SECTION 2

You will need:

- 4 mm & 6 mm Hex Key
- Drill Machine
- 7 mm Drill Bit
- Marking Pen
- 10 mm Flat or Socket Wrench

Item #	Quantity	Description
1	6	M6 x 20 HEX BOLT
2	6	M6 SPRING WASHER
3	6	M6 x 19 FLAT WASHER
4	6	M6 WOOD INSERT



MOUNTING TO LOAD BAY USING RIVNUTS - SECTION 3

You will need:

- 10 mm Flat or Socket Wrench
- Drill Machine
- 9 mm Drill Bit
- Riv Nut Tool
- Marking Pen

Item #	Quantity	Description
1	6	M6 x 30 HEX BOLT
2	6	M6 SPRING WASHER
3	6	M6 x 19 FLAT WASHER
4	6	M6 RIV NUT



MOUNTING TO LOAD BAY USING NUTS & BOLTS - SECTION 4

You will need:

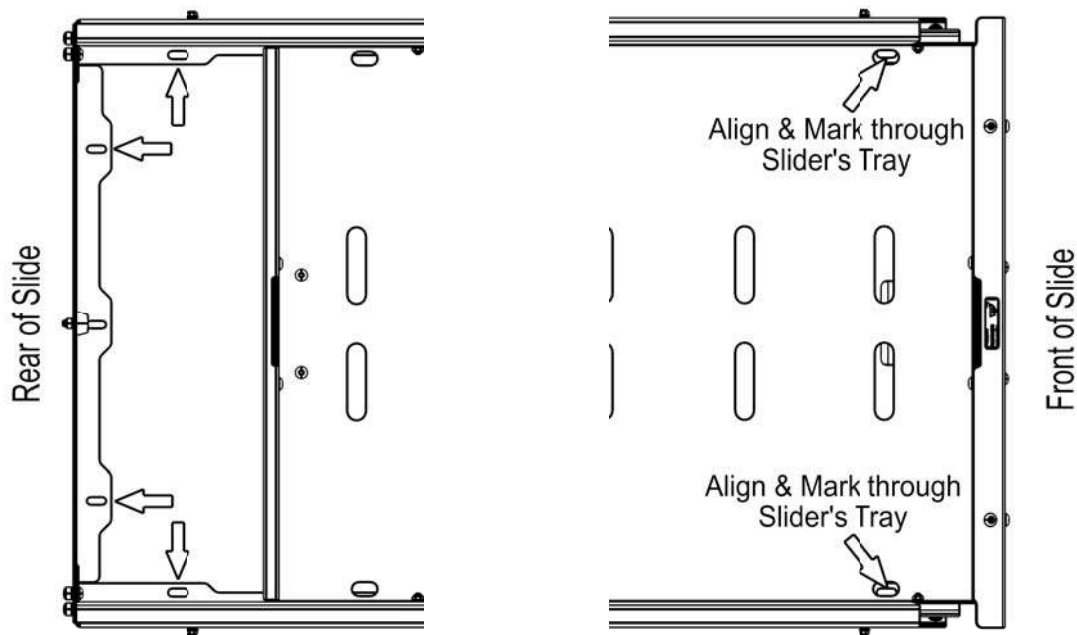
- 10 mm Flat & Socket Wrench
- Drill Machine
- 6.5 mm Drill Bit
- Marking Pen

Item #	Quantity	Description
1	6	M6 x 30 HEX BOLT
2	12	M6 x 19 FLAT WASHER
3	6	M6 NYLOC NUT



2 MOUNTING TO A DRAWER SYSTEM OR WOODEN DECK

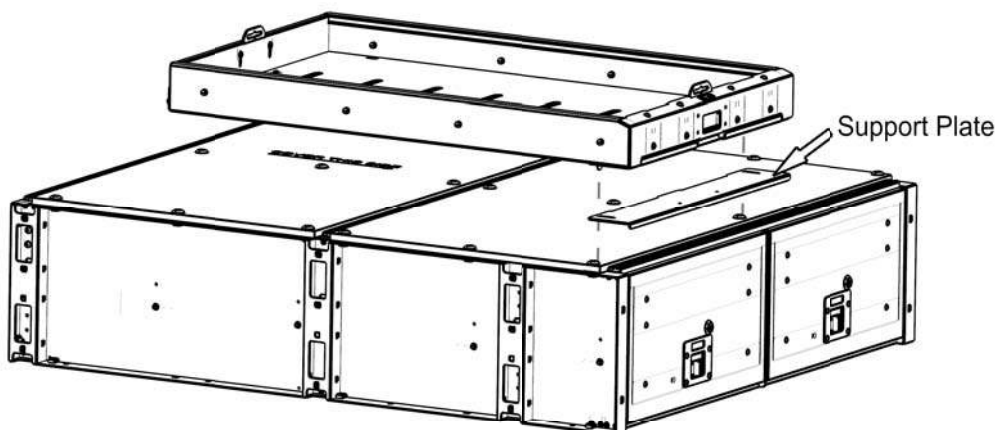
- (A) Place your Fridge Slide on top of the wooden deck / Drawer System in the desired location. Open the Fridge Slide and mark the position of the six mounting points as indicated by the arrows onto the deck.



- (B) Remove the Fridge Slide and drill a 7 mm hole through the wood on each of your markings. Loosen and remove the wooden decks. If you have a Drawer System with two layers of wood, it is only necessary to remove the top layer. Turn the Decks upside down and screw a Wood Insert into each of the 7 mm holes drilled in Step 1A.

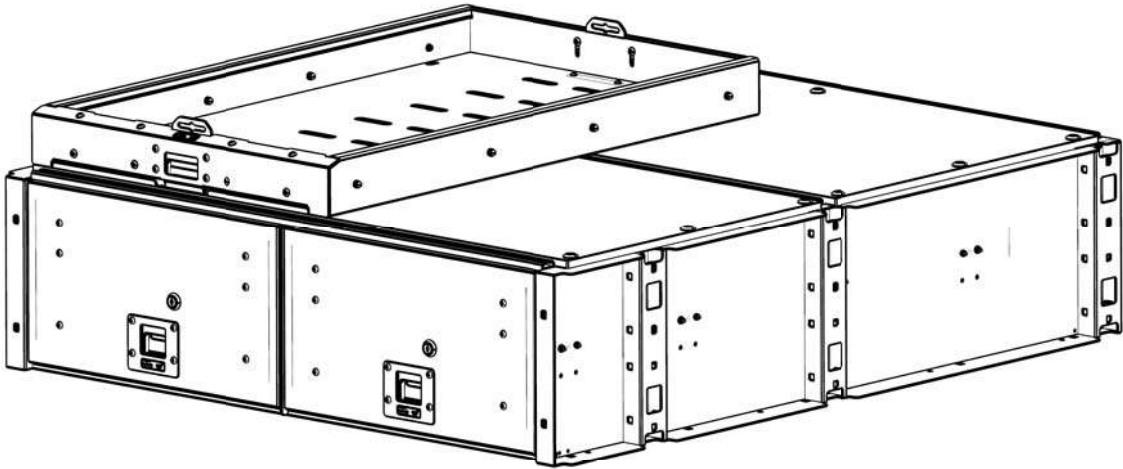
- (C) Secure the Decks back onto the Drawer System. Place the Fridge Slide back into position and secure using M6 x 20 Hex Bolts, M6 Spring Washers and M6 x 19 Flat Washers supplied.

If the Fridge Slide overhangs the front of the Drawer System or Wooden Deck you will need to use the supplied Support Plate between the Fridge Slide and Drawer System or Wooden Deck as shown below.



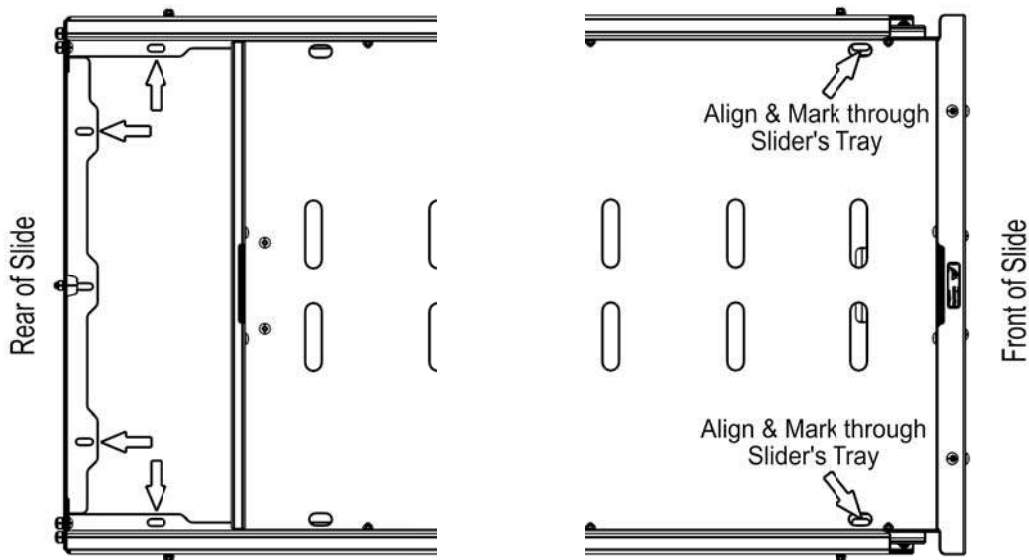
2 MOUNTING TO A DRAWER SYSTEM OR WOODEN DECK

(C) Congratulations, you have completed your installation. Take a step back and admire your work. Good Job!



3 MOUNTING TO LOAD BAY USING RIVNUTS

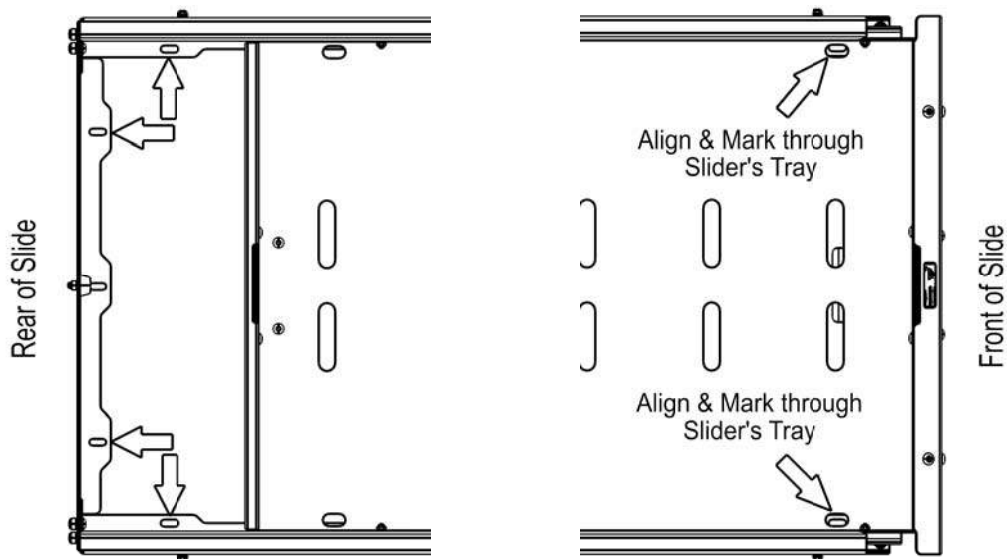
(A) Place your Fridge Slide in the desired location. Open the Fridge Slide and mark the position of the six mounting points as indicated by the arrows onto the load bay. Remove the Fridge Slider.



(B) Drill a 9 mm hole on each of the markings. Insert and crimp a M6 Rivnut into each hole. Place the Fridge Slide back in position and secure using the M6 x 30 Hex Bolts, M6 Spring Washers and M6 Flat Washers supplied.

4 MOUNTING TO LOAD BAY USING NUTS & BOLTS

- (A) Place your Fridge Slide in the desired location. Open the Fridge Slide and mark the position of the six mounting points as indicated by the arrows onto the load bay. Remove the Fridge Slider.



- (B) Drill a 6.5 mm hole on each of the markings. Place the Fridge Slide back in position and secure using the M6 x 30 Hex Bolts, M6 Spring Washers and M6 Flat Washers and M6 Nyloc Nuts supplied.

5 INSTALL OTHER VEHICLE AND RACK ACCESSORIES

- (A) Now's the time to visit your favorite Front Runner dealer in person or online.