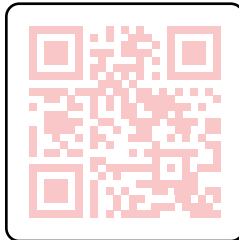


**IBEX™**

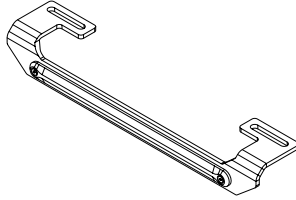
**THIRD BRAKE LIGHT**

ASSEMBLY



ASSEMBLY VIDEO

# Parts & Tools



(1) IBEX™ Third Brake Light



(2) M8 x 22



(2) M8 x 12



(2) T-Nuts



(2) Washers



(2) Spacers



(1) M8 Hex Key

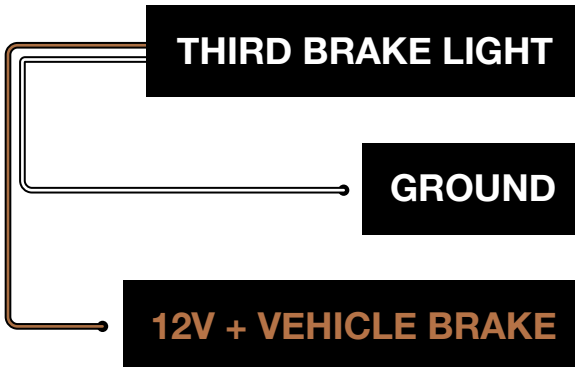
# Important Notes & Tips

- 1 We recommend you contact your vehicle manufacturer for specific wiring instructions.
- 2 This accessory should only be attached to 12V electrical systems.
- 3 Periodically check your wiring for proper function of this accessory.

## Wiring Diagram

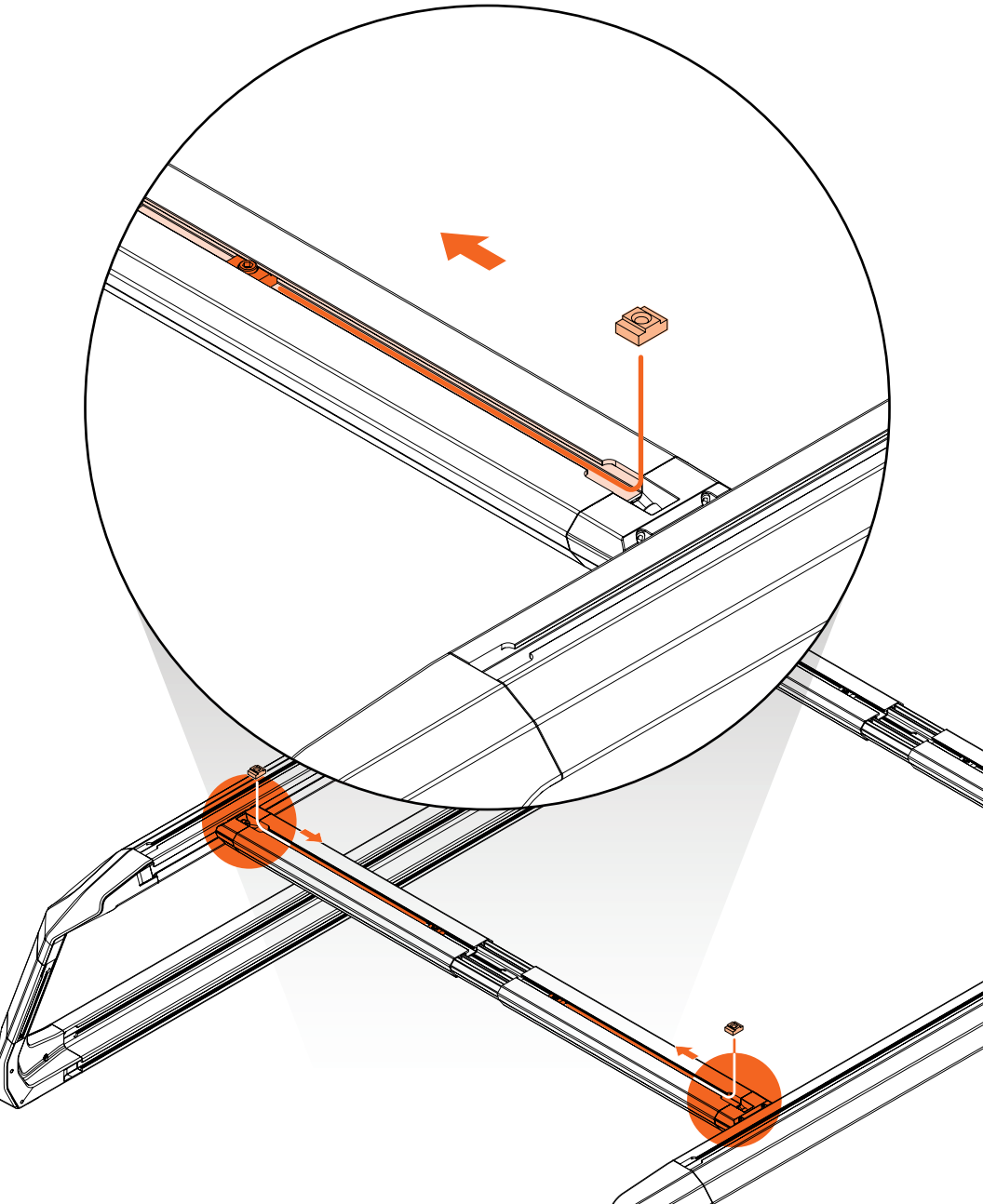


**IMPORTANT: Disconnect car battery before attaching electrical wiring.**



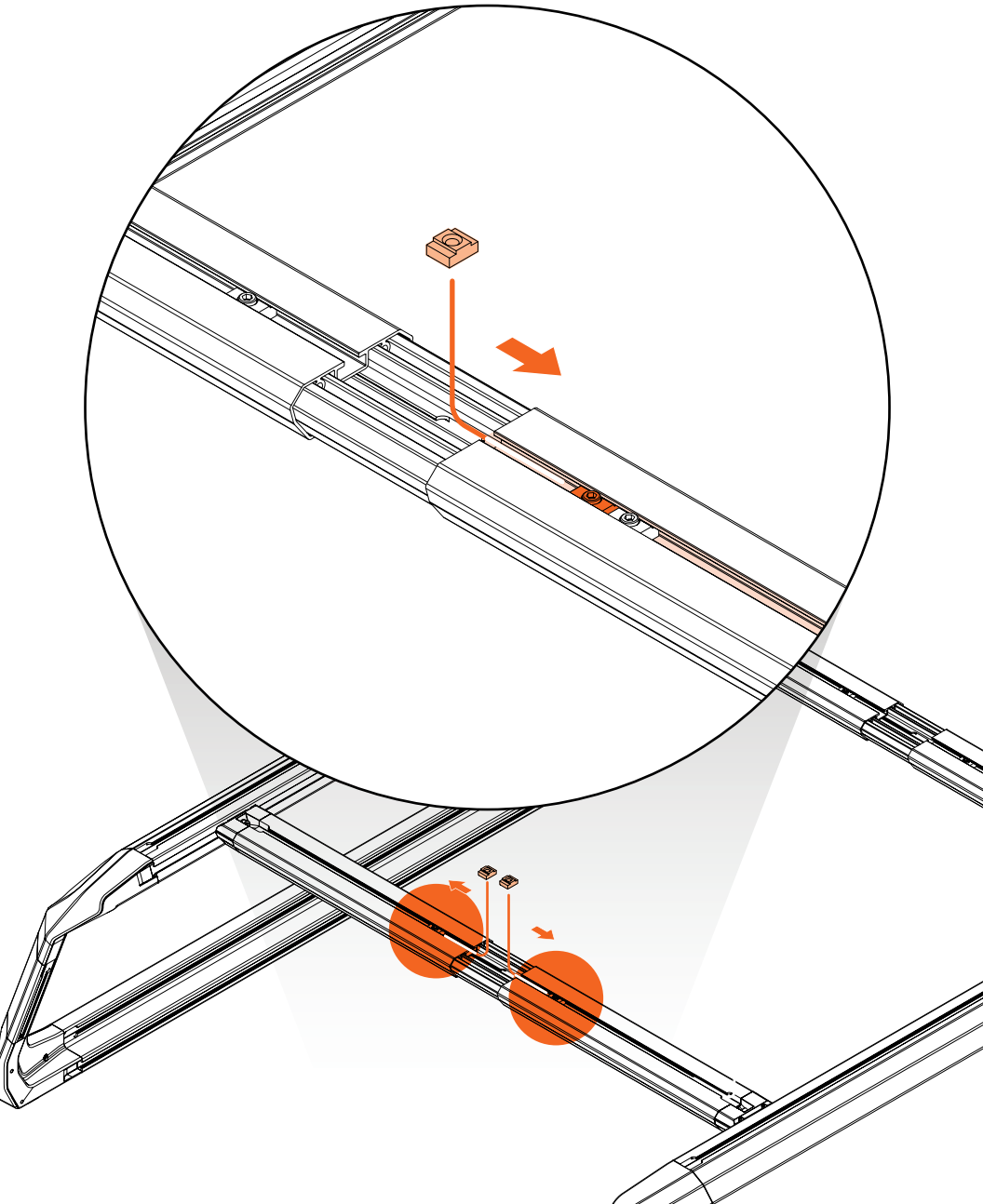
# IBEX™ MID SIZE T-Nut Installation

- 1 For installation on a Mid-Size IBEX™, begin by sliding T-Channel Nuts into each end of the Crossbar T-Channel.



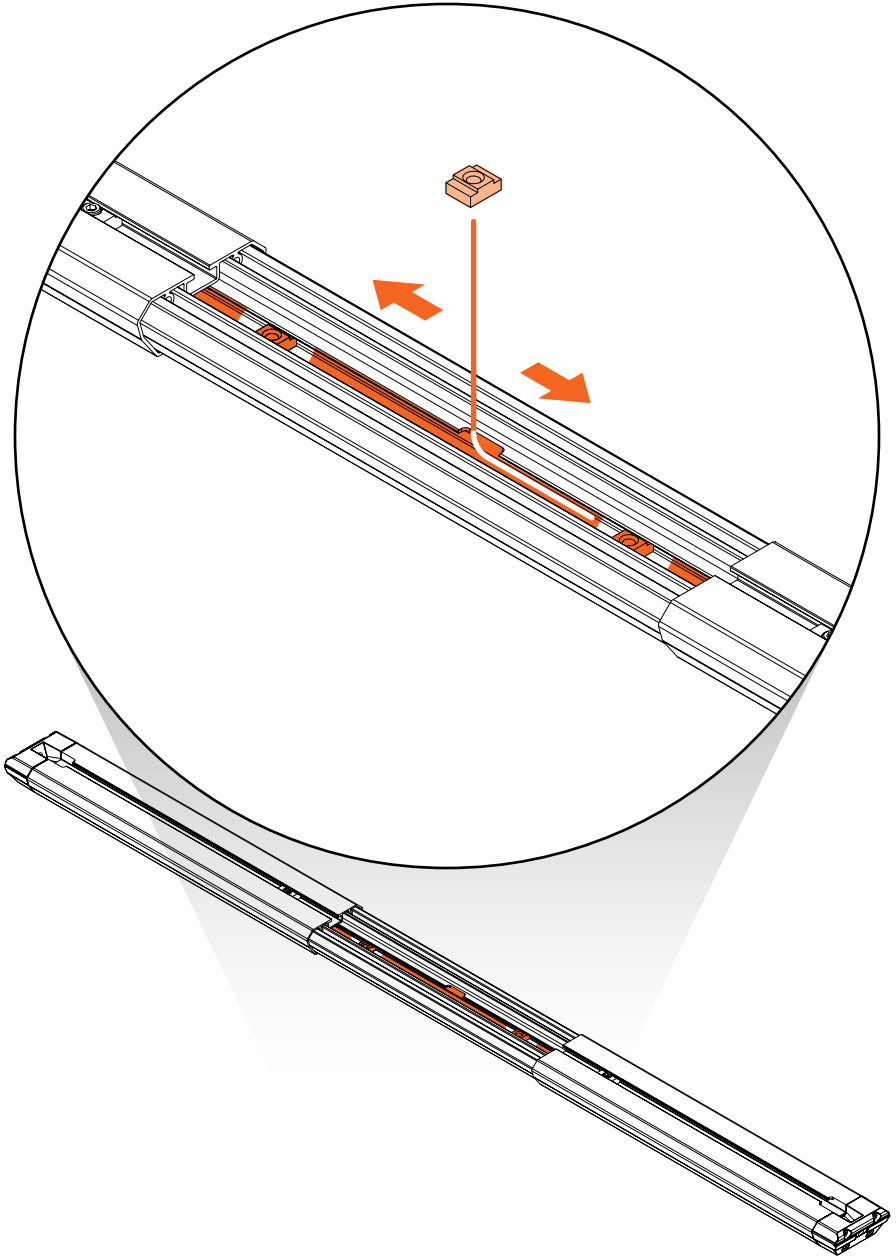
# IBEX™ FULL SIZE T-Nut Installation

- 1b For installation on a Full-Size IBEX™, begin by sliding T-Channel Nuts into the center of the Crossbar T-Channel.

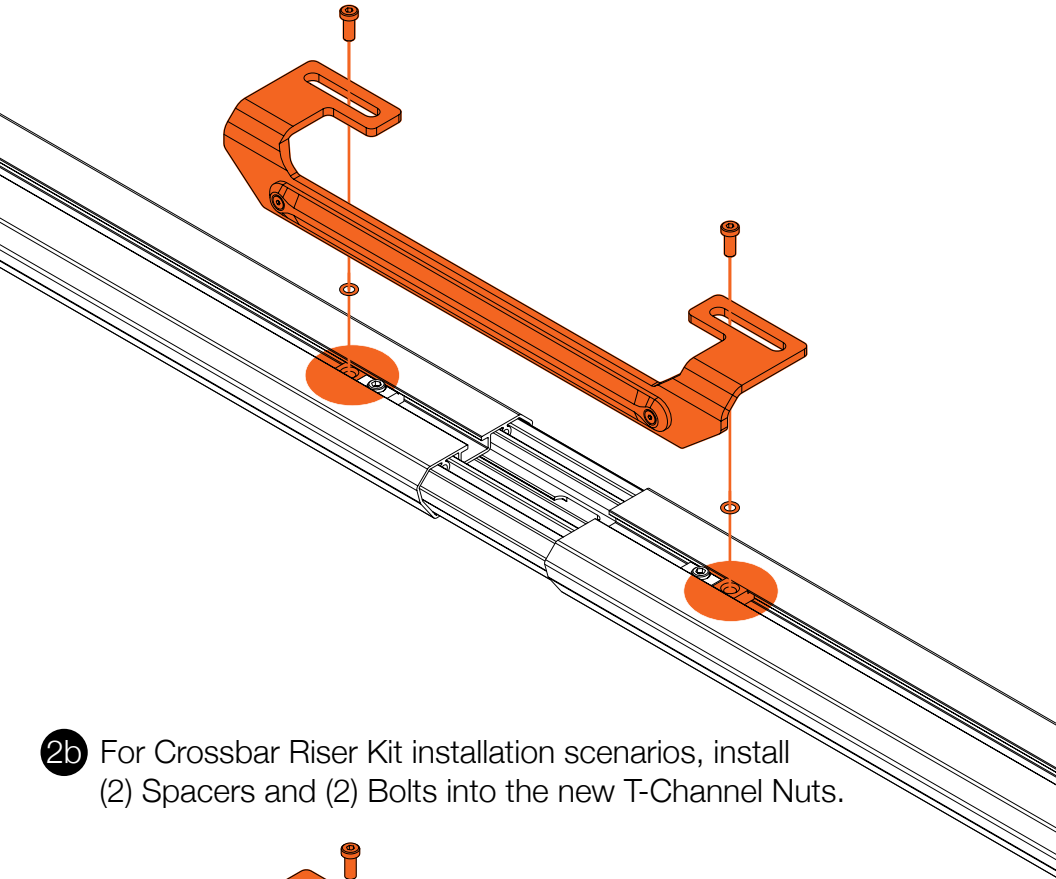


# CROSSBAR RISER T-Nut Installation

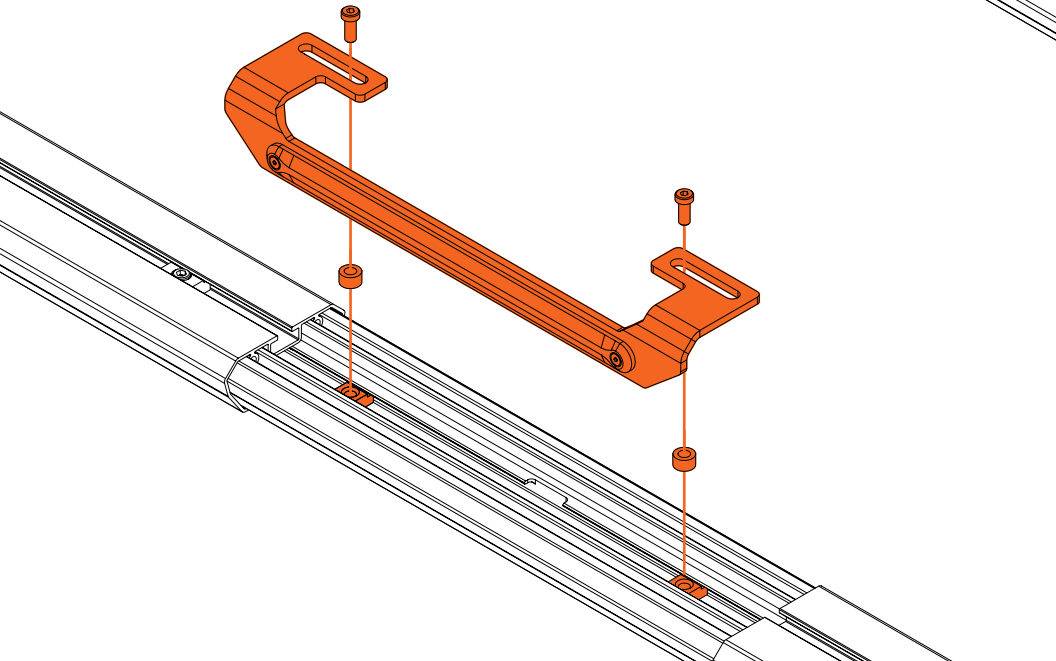
- 1c If utilizing a Crossbar Riser Kit, insert T-Channel Nuts into the right and left side of the lower T-Channel found on the inner Crossbar Sleeve.



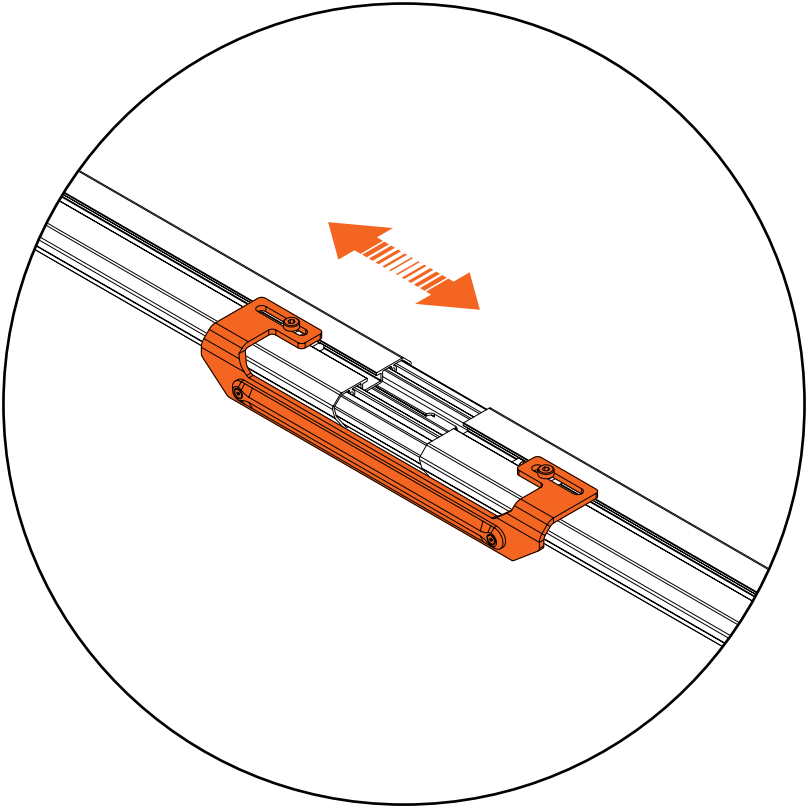
**2** Install (2) Bolts and (2) Washers into the new T-Channel Nuts.



**2b** For Crossbar Riser Kit installation scenarios, install (2) Spacers and (2) Bolts into the new T-Channel Nuts.

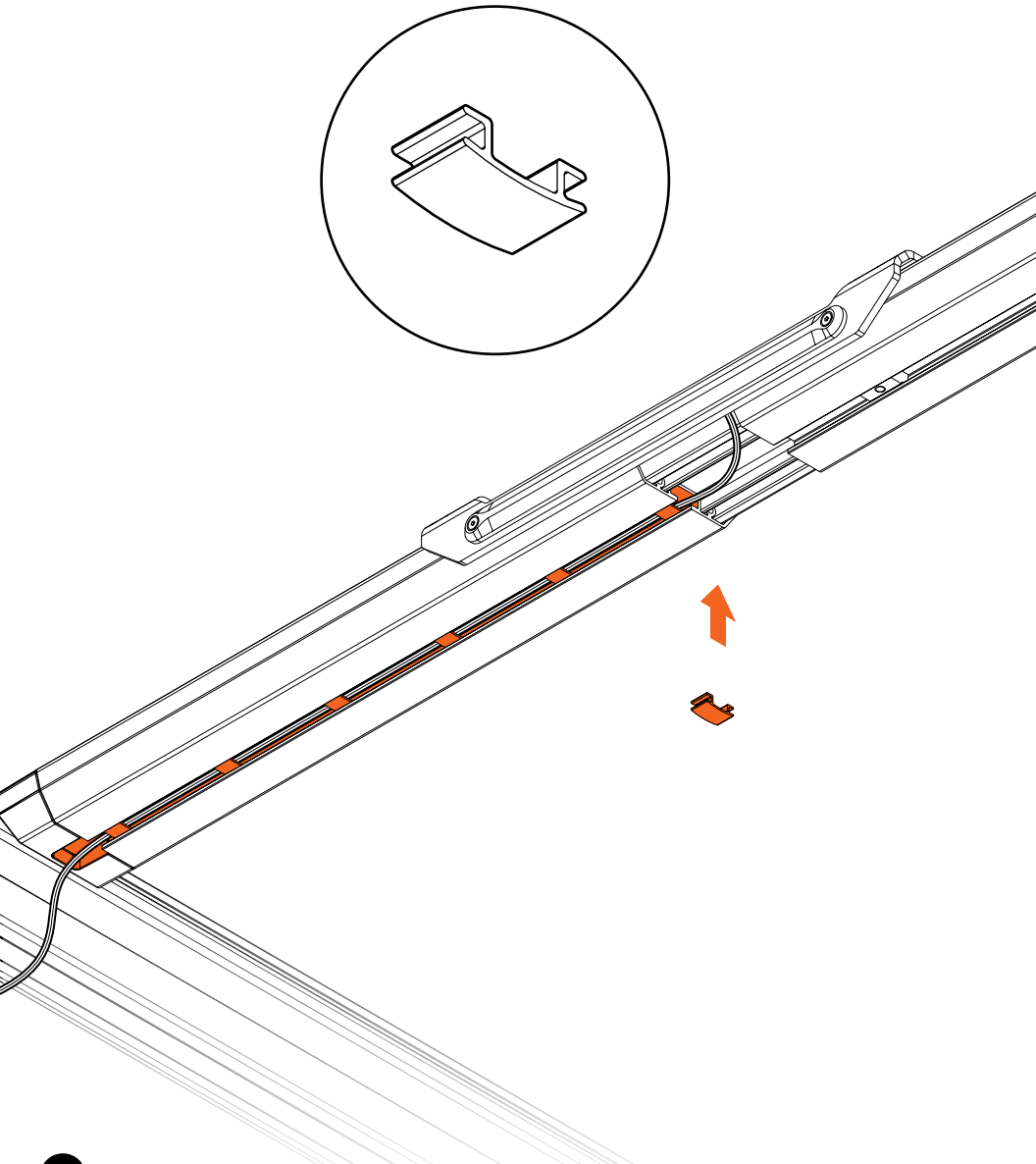


- 3 Ensure Third Brake Light is centered on the Crossbar, then fully tighten Bolts.





- 4 To aid with cable management, thread the cable through the provided Cable Clips inserted into the T-Channel located on the underside of the crossbar.



- 5 Refer to the Wiring Diagram located at the beginning of this guide and install the Third Brake Light wiring harness into your vehicle in a way that suits your specific vehicle make and model best.

# Warnings

# IBEX™

## THIRD BRAKE LIGHT

### WARNINGS

- Follow instructions for proper assembly, installation and use.
- Check tightness of all bolts and screws periodically.
- The IBEX™ Third Brake Light is only compatible with 12v electrical systems. Application of other voltages may result in damage to the LED light.
- Always disconnect your car battery before attaching electrical wiring.
- Drive responsibly.

**If you have questions or problems, please contact Küat directly by calling toll free 1(877)822-KUAT, or by email: [info@kuat.com](mailto:info@kuat.com)**

### ADVERTENCIAS

- Siga las instrucciones para un montaje, instalación y uso adecuados.
- Verifique periódicamente el apriete de todos los pernos y tornillos.
- La Tercera Luz de Freno IBEX™ sólo es compatible con sistemas eléctricos de 12v. La aplicación de otros voltajes puede provocar daños a la luz LED.
- Desconecte siempre la batería de su automóvil antes de conectar el cableado eléctrico.
- Conduzca con responsabilidad.

### AVERTISSEMENTS

- Suivez les instructions pour un assemblage, une installation et une utilisation appropriés.
- Vérifiez périodiquement le serrage de tous les boulons et vis.
- Le troisième feu stop IBEX™ est uniquement compatible avec les systèmes électriques 12 V. L'application d'autres tensions peut endommager la lumière LED.
- Débranchez toujours la batterie de votre voiture avant de brancher le câblage électrique.
- Conduisez de façon responsable.

# NO WORRIES LIMITED WARRANTY

We stand behind our products, and our customer service reps are waiting to help you out if you have any problems with your product. Our limited warranty covers your purchase for life. You can review our limited warranty on our website or call customer service at the number below if you have questions or need a repair, replacement, refund, or a copy of the limited warranty.

**[www.kuat.com/warranty](http://www.kuat.com/warranty)**

**Questions or comments?**

Drop us an email or call us directly!

**[kuat.com](http://kuat.com) | [info@kuat.com](mailto:info@kuat.com) | [877.822.5828](tel:877.822.5828)**

***kuat***<sup>®</sup>

1.877.822.5828

info@kuat.com

kuat.com