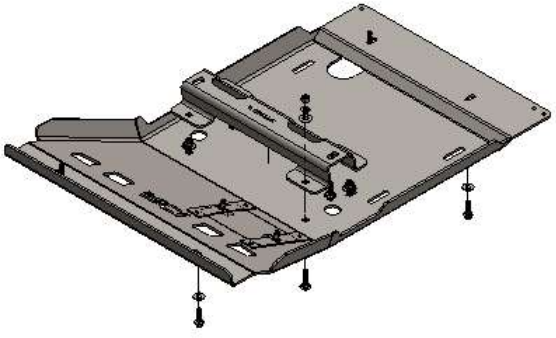


24+ Tacoma Engine Skid Plate Install Guide

ITEM NO.	PART NUMBER	DESCRIPTION	QTY.
1	SM-00766	2024 Tacoma Engine Skid Plate - Steel	1
2	SM-00773	2024 Tacoma Engine Standoff	1
5	HW-00024	5557B: M8-1.25 U-NUT BLACK	2
6	SM-00075	Toyota Oil Door Cover ST	1
7	HW-00036	M8-1.25 X 25MM BUTTON SOC CAP	2
8	BX-00066	36.5x30x6 (Frontier Engine Box)	1
9	HK-00123	24+ Tacoma Engine Skid Hardware Kit	1
9.1	HW-00026	3/8 USS FLAT WASHER THRU HARD	4
9.2	HW-00029	3/8 SPLIT LOCK WASHER ZINC	4
9.3	HW-00030	3/8-16 FIN HEX NUT GR-5 ZINC	4
9.4	HW-00035	3/8-16 X 1-1/2 CARRIAGE BOLT	4
9.5	HW-00025	M8-1.25 X 30MM HEX FLANGE BOLT	6
9.6	HW-00037	5/16 USS FLAT WASHER ZINC	6



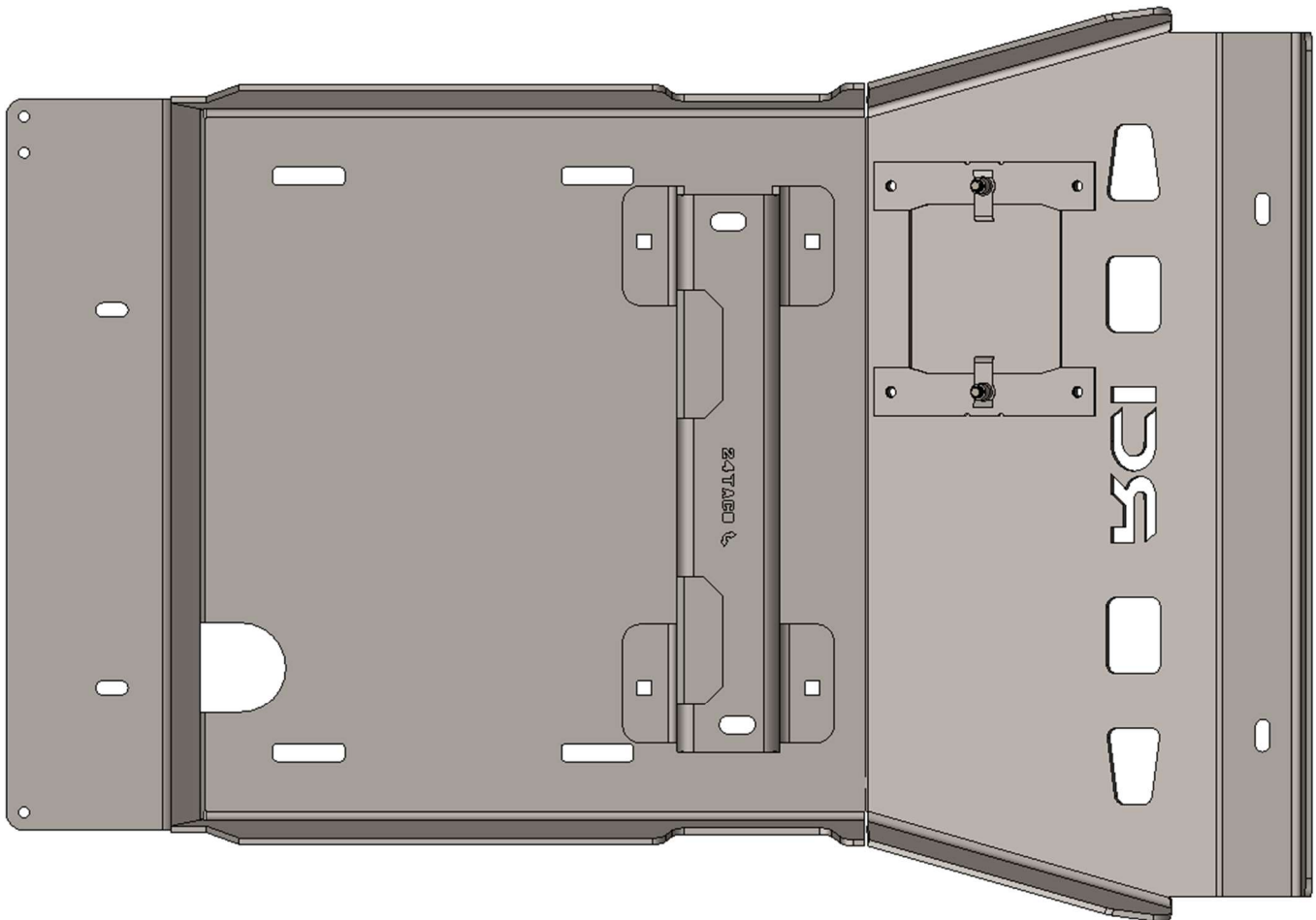
<small>UNLESS OTHERWISE SPECIFIED:</small>	<small>PROPRIETARY AND CONFIDENTIAL</small>	<small>NAME</small>	<small>DATE</small>
		<small>DRAWN</small>	<small>KL</small>
		Export Date	
		4/22/2024	
RCI OFFROAD			
<small>TITLE:</small>			
24 Taco Engine - Ship BOM			
<small>Item Number</small>		<small>REV</small>	
FG-00454		1	
<small>DO NOT SCALE DRAWING</small>		<small>SCALE: 1:10</small>	<small>WEIGHT:</small>
			SHEET 1 OF 14

Figure 1: BOM

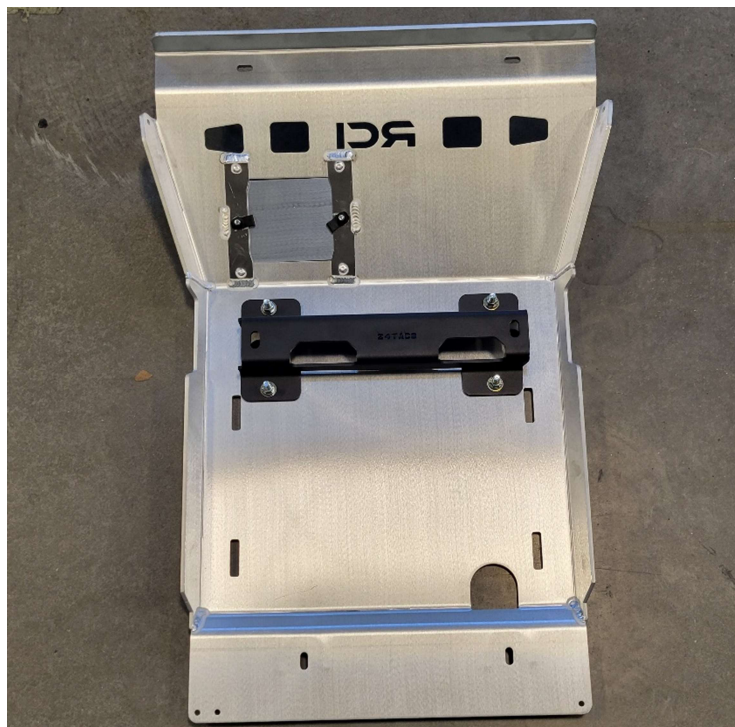
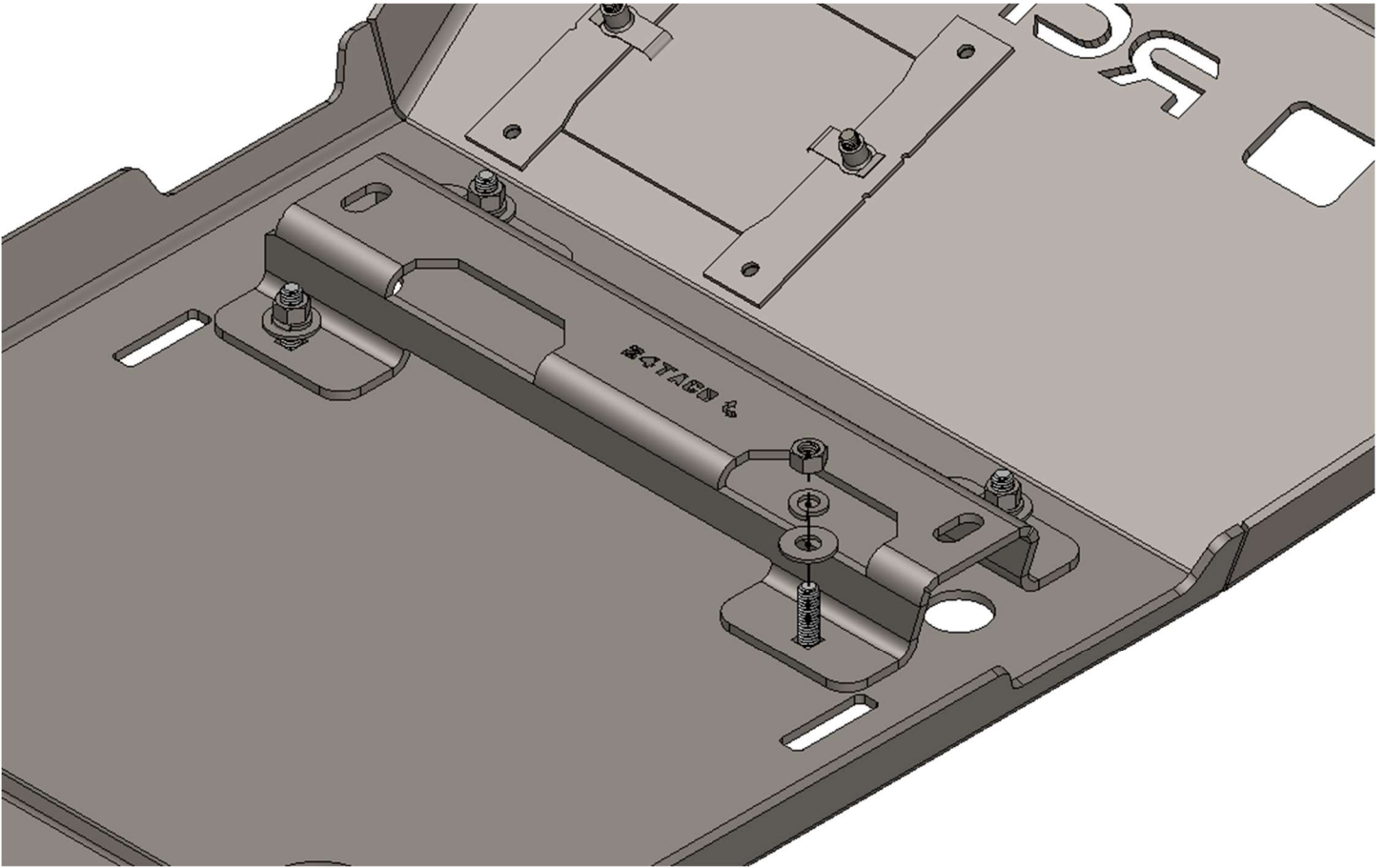
INSTALLATION STEPS:

****Use hand tools, impact wrenches may cause damage if over torqued.****

- 1) Begin by unpacking and removing all components and hardware. Please verify that all hardware and mounting components are present. Reference your original order invoice and verify all items are accounted for.
- 2) Install the Engine Skid Plate Standoff Bracket on the Engine Skid Plate.
 - a. Align the square holes in the standoff plate with the corresponding holes in the Engine Skid Plate. The arrows cut into the standoff should be oriented to point towards the front and passenger sides of the vehicle.



- b. Secure the standoff to the skid plate with the included 3/8" hardware.



RCI OFFROAD

- 3) Hold the skid plate assembly up to the vehicle frame and install the included M8 hardware to secure the skid plate assembly to the vehicle.



- a. 2 sets of M8 hardware secure the front of the skid plate assembly.



- b. 2 sets of M8 hardware secure the center of the skid plate assembly.

- c. 2 sets of M8 hardware secure the rear of the skid plate assembly.



- 4) Tighten all hardware.

- a. If installing an RCI 24+ Tacoma Transmission Skid Plate, leave the mounting hardware loose and proceed to the appropriate installation guide.

RCI OFFROAD

Enjoy your new RCI protection!



Share your new install with us on social media!

We love seeing our products out in the wild!

www.rcimetalworks.com

sales@rcioffroad.com

970-797-3089



Disclaimer: The products sold by RCI Metalworks are intended for off-road use only, should not be modified, and are for use only on the vehicle(s) specifically stated. RCI Metalworks makes no warranties express or implied, including of fitness for a particular purpose or merchantability. RCI Metalworks will not be liable for any damages arising out of the use or misuse of its products. It is the customers' responsibility to ensure the products are safely and properly attached to the vehicle, and all products should be installed by trained professionals. We strive to maintain extremely high quality standards; however, all RCI Metalworks products are individually handcrafted, may vary slightly, and may contain minor imperfections. Due to the nature of raw aluminum, the material may have minor scratches and other blemishes caused by the manufacturing process, especially on the back side of product. RCI Metalworks is constantly seeking to improve its products and reserves the right to make changes to any product.