

RCI 24+ Toyota Tacoma Catalytic Guard Install Guide

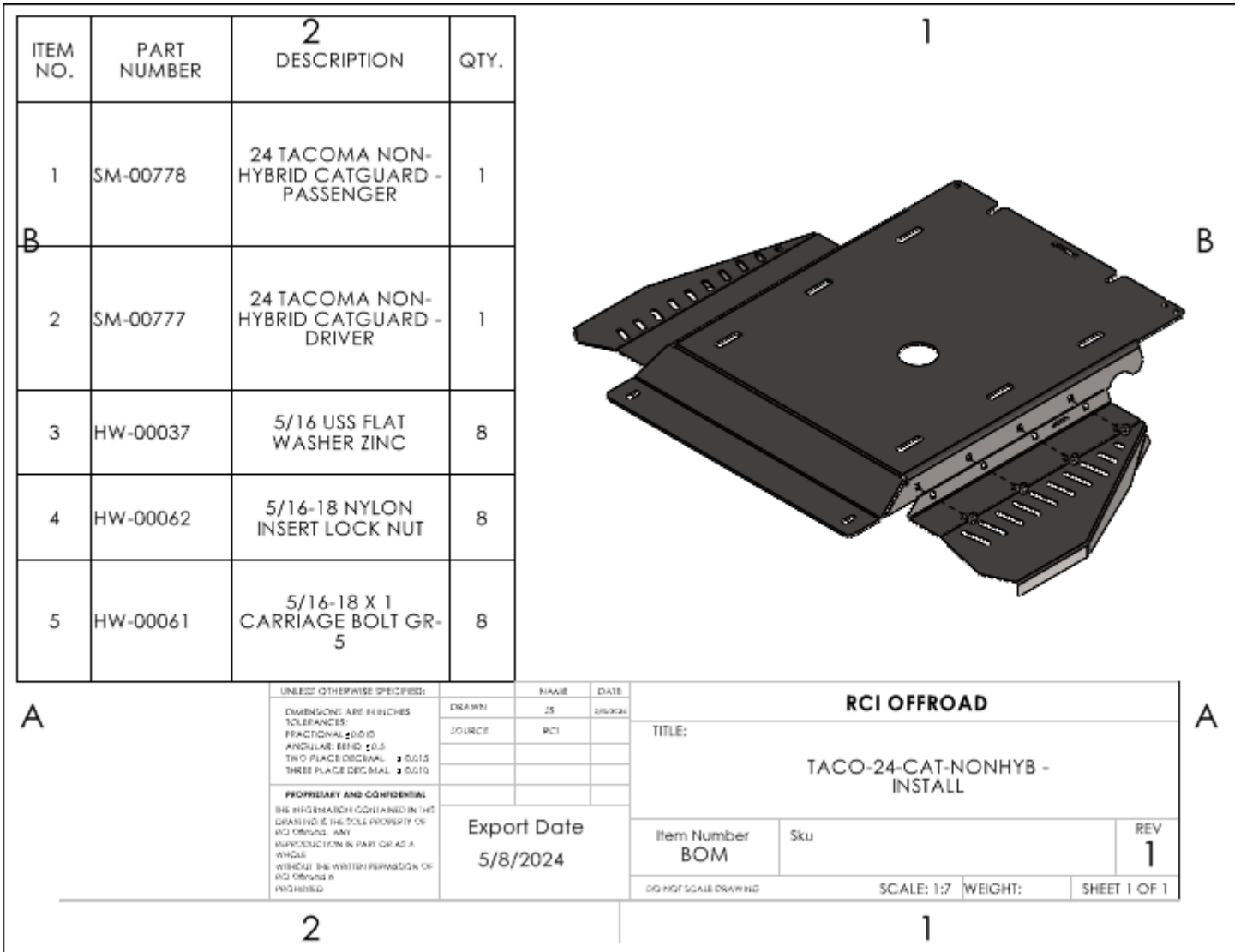


Figure 1: BOM

INSTALLATION STEPS:

**** Use hand tools, impact wrenches may cause damage if over torqued. ****

- 1) Begin by unpacking and removing all components and hardware. Please verify that all hardware and mounting components are present. Reference your original order invoice and verify all items are accounted for.
 - a. **PLEASE NOTE:** An RCI 24+ Toyota Tacoma transmission skid plate is required for use with this kit, but one is **NOT** Supplied.

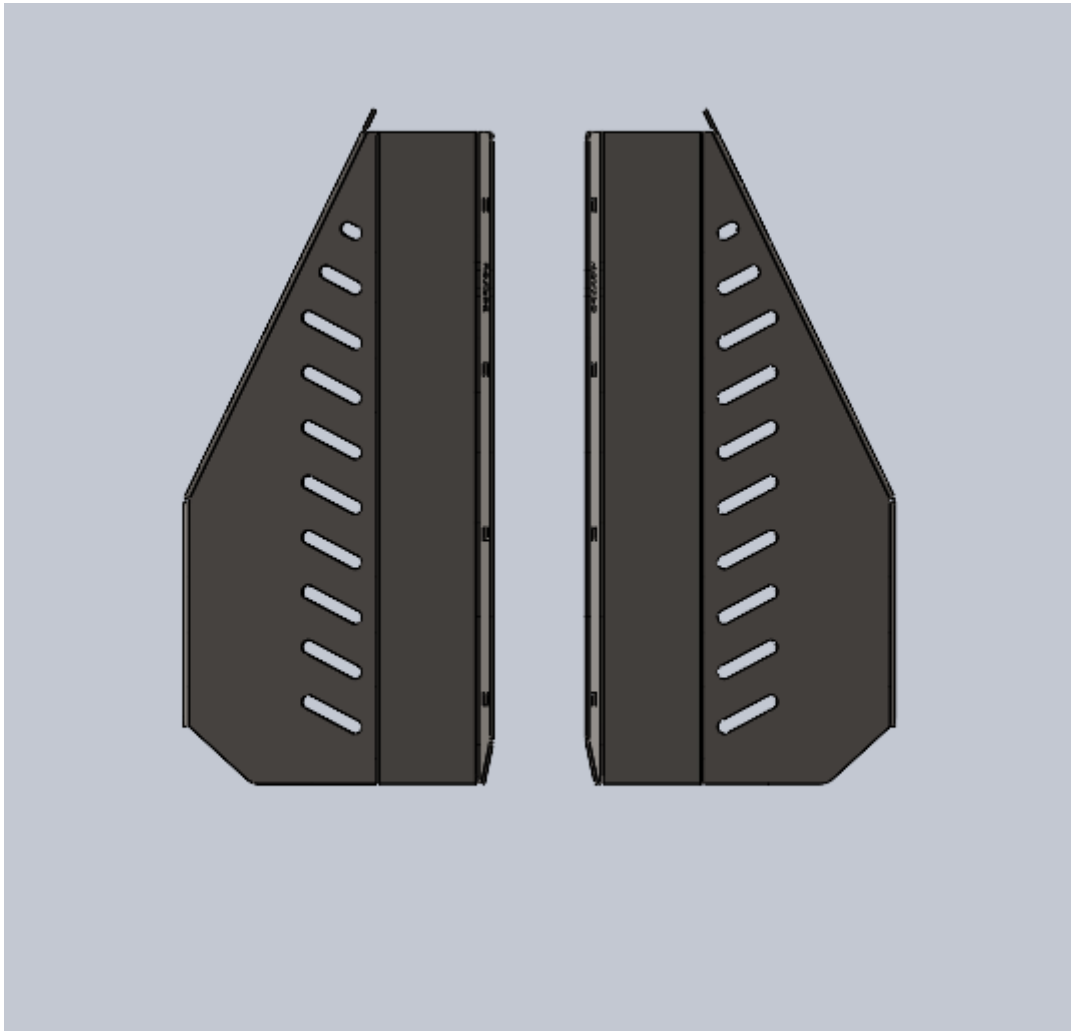


Figure 2: Cat Guards

- 2) If an RCI transmission skid plate is currently installed on the vehicle, it will need to be removed prior to the beginning of this installation. The catalytic guards from RCI are designed to be theft resist and prohibit removal while the transmission skid plate is fully installed.

- 3) Using the included hardware, secure the catalytic guards to the transmission skid plate as shown below:

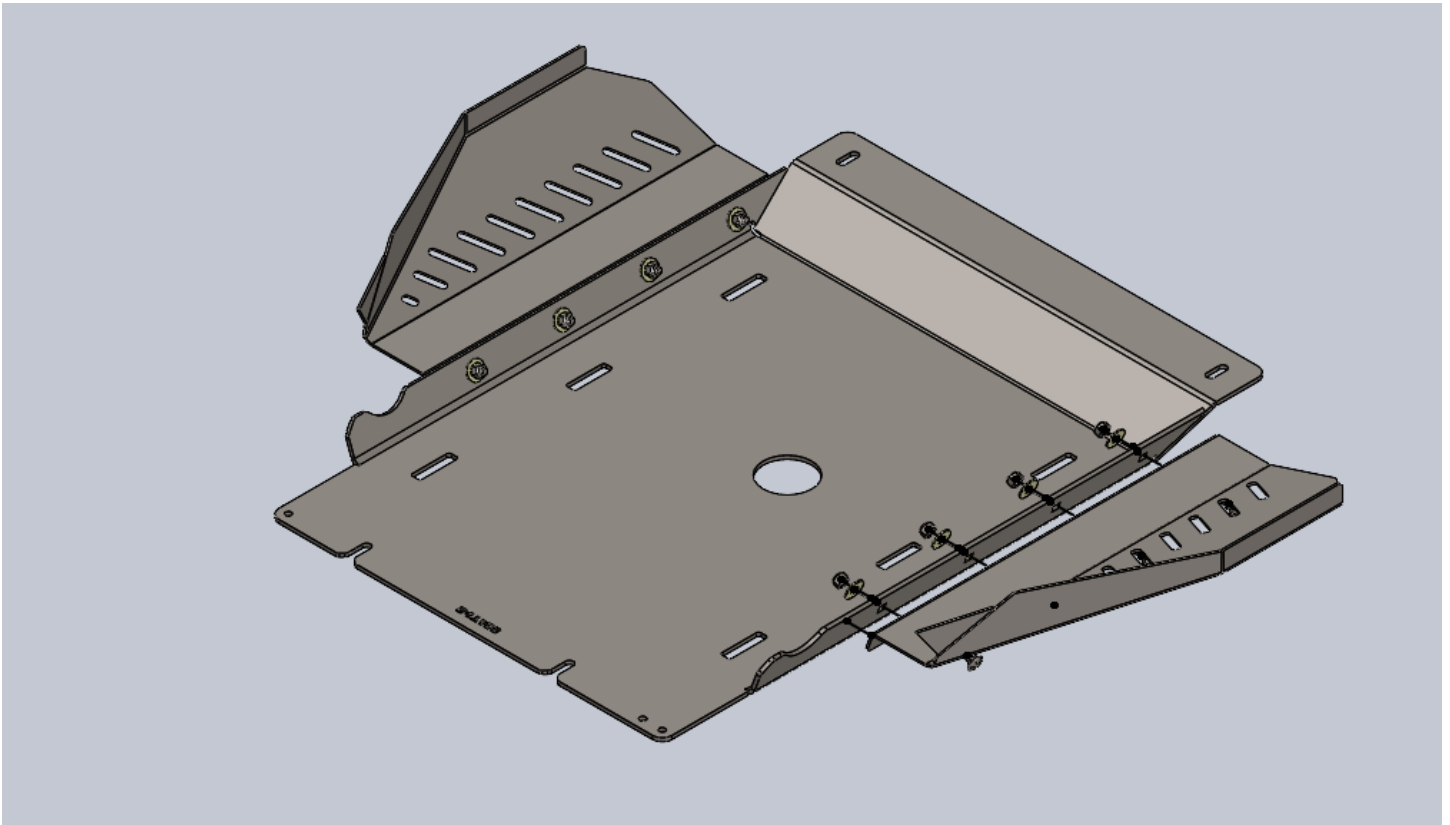
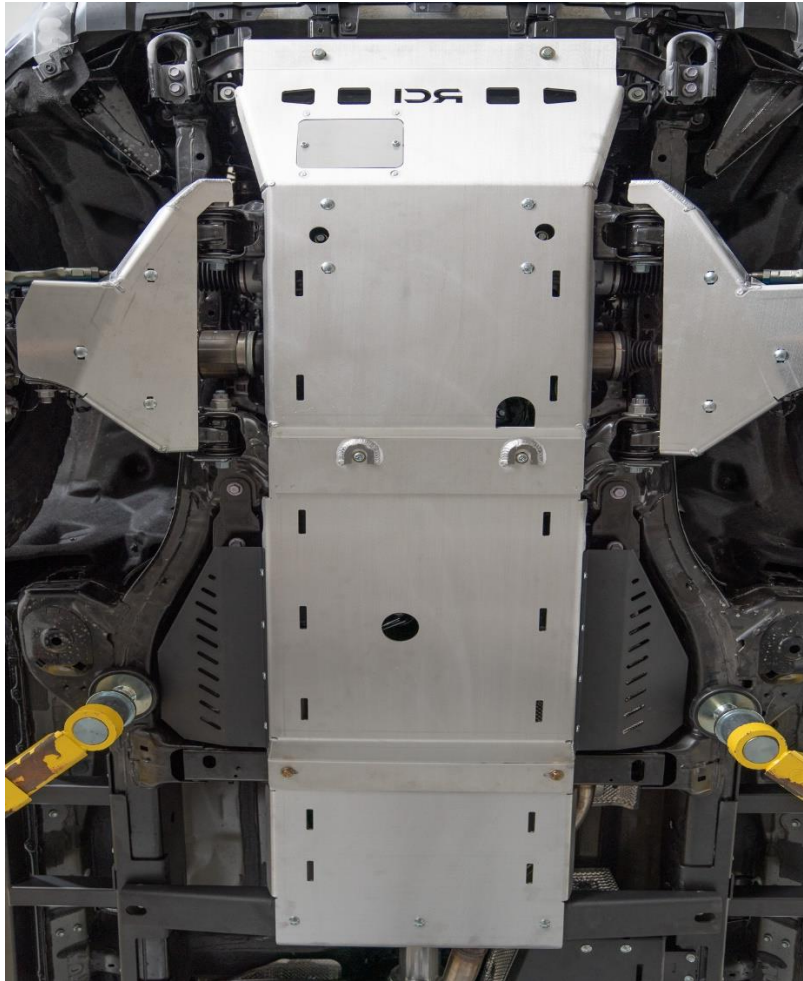


Figure 3: Correct Cat Guard Installation

- 4) Follow the steps outlined in the RCI 24 Toyota Tacoma Transmission Skid Plate installation guide to install the transmission skid plate and catalytic guard assembly on the vehicle.



Enjoy your new RCI protection!



Share your new install with us on social media!

We love seeing our products out in the wild!

www.rcimetalworks.com

sales@rcioffroad.com

970-797-3089

REV: 1 | 9/29/2022



Disclaimer: The products sold by RCI Metalworks are intended for off-road use only, should not be modified, and are for use only on the vehicle(s) specifically stated. RCI Metalworks makes no warranties express or implied, including of fitness for a particular purpose or merchantability. RCI Metalworks will not be liable for any damages arising out of the use or misuse of its products. It is the customers' responsibility to ensure the products are safely and properly attached to the vehicle, and all products should be installed by trained professionals. We strive to maintain extremely high quality standards; however, all RCI Metalworks products are individually handcrafted, may vary slightly, and may contain minor imperfections. Due to the nature of raw aluminum, the material may have minor scratches and other blemishes caused by the manufacturing process, especially on the back side of product. RCI Metalworks is constantly seeking to improve its products and reserves the right to make changes to any product.