

RCI 16-23 Tacoma Pike High Clearance Wings Installation Guide

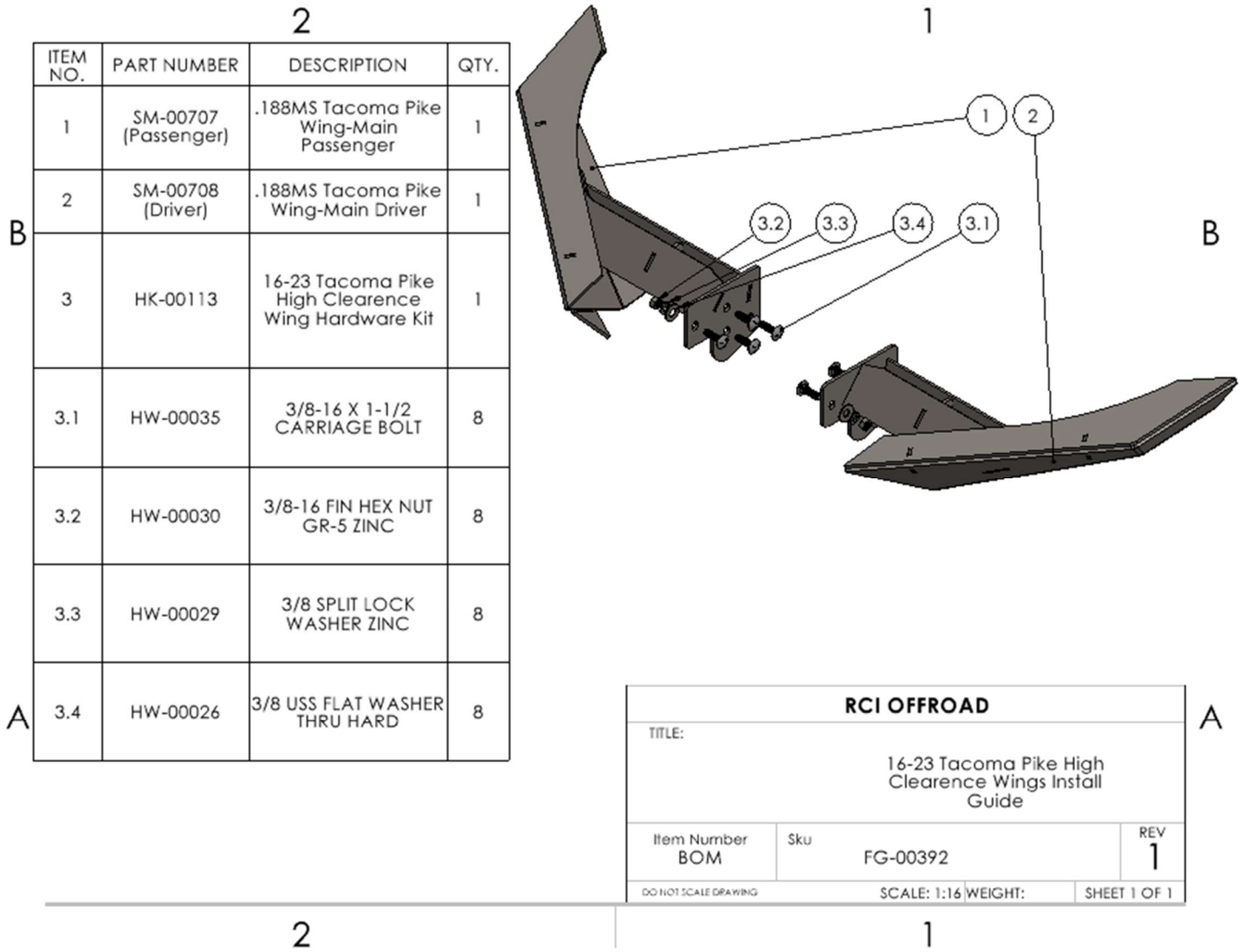


Figure 1: BOM

INSTALLATION STEPS:

****Use hand tools, impact wrenches may cause damage if over torqued****

- 1) Begin by unpacking and removing all components and hardware. Please verify that all hardware and mounting components are present. Reference your original order invoice and verify all items are accounted for.
 - a. **NOTE: The RCI Pike High Clearance Wings will only work with the 16-23 Tacoma Pike Bumpers.**
- 2) Print the template found in Appendix A for each side of the vehicle.
- 3) Cut out the template, align the template end to end and tape it together. Reference the figure below.



Figure 2: Template.

- 4) Align the template and tape it along the bumper to display the desired cut line.
- 5) Align the angle on the template with the angle on the bumper.
 - a. The arrow should be facing the front of the vehicle.



Figure 3: Template correctly installed on bumper.



Figure 4: Cutting along bottom of template.

- 6) Use a cutoff wheel or something similar to remove the lower section of the bumper. Cut along the bottom of the template.
- 7) Follow the cut line from where it contacts the Pike bumper out to the wheel well.
- 8) Use a file or flap disk to clean up the fresh cut.
- 9) RCI recommends purchasing edge trim for the cut bumper and the high clearance wings.
 - a. Recommended edge trim:
https://www.amazon.com/SYOAUTO-Guards-Universal-Rubber-Protector/dp/B08Z4F8WMM/ref=sr_1_5?crd=13UA3D4NCW6Z2&keywords=edge%2Btrim&qid=1705524392&s=automotive&prefix=edge%2Btrim%2Cautomotive%2C224&sr=1-5&th=1
- 10) Before mounting the High Clearance Wings, add the same edge trim from Step 8 along the edge wings closest to the Pike bumper. Reference the figure below.

Edge Trim Placement

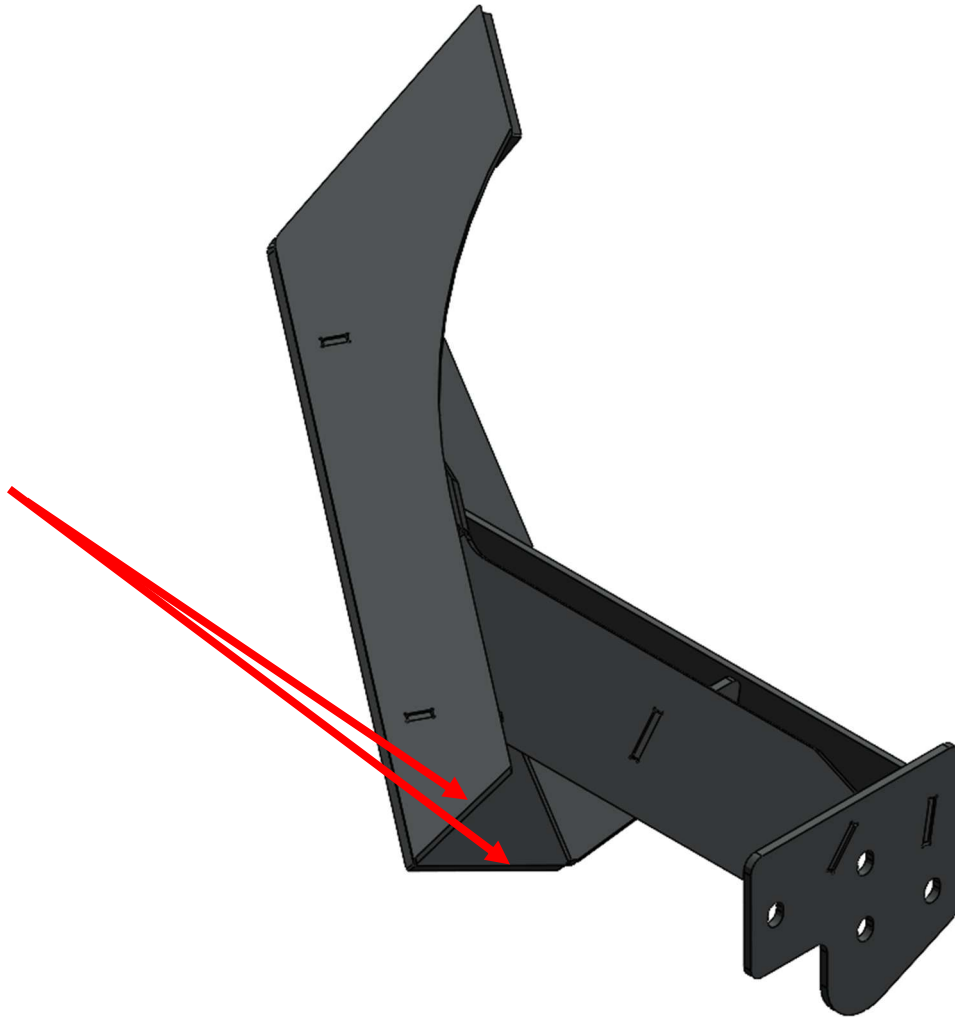


Figure 5: Edge trim placement

- 11) Start on one side of the vehicle and collect the four (4) of the included 3/8" carriage bolts, 3/8" washer, 3/8" lock washer, and 3/8" nuts.
 - a. **NOTE: This installation can be completed with the bumper on the vehicle but will be easier with the bumper removed.**
- 12) Install the carriage bolts with the threads facing outwards.
- 13) Hold the appropriate wing in place and align it with the square slots on the Pike bumper.
- 14) With the wing aligned install a 3/8" washer, 3/8" lock washer and 3/8" nut to secure the wing in place.

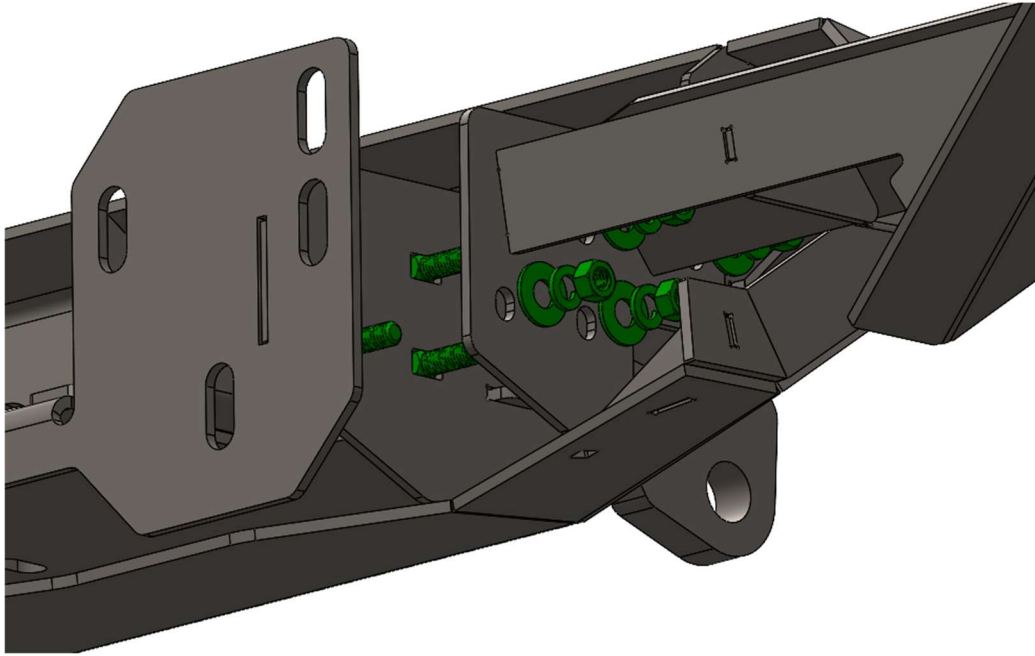


Figure 6: Hardware orientation.

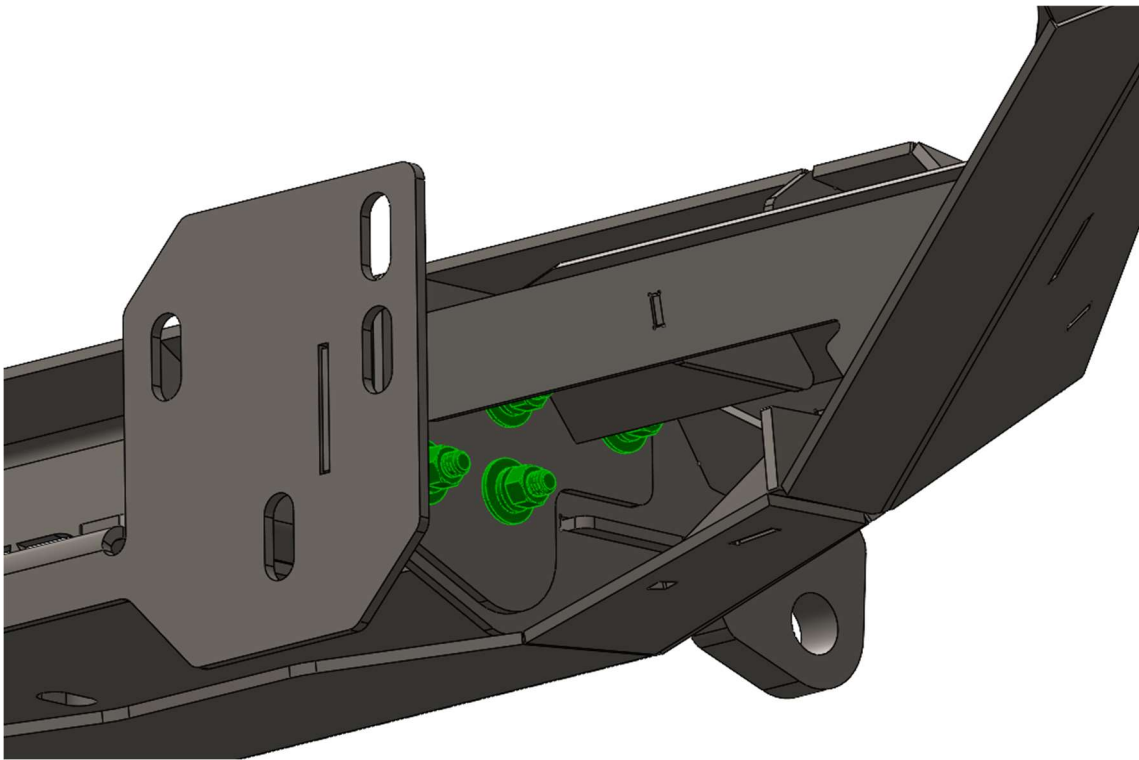


Figure 7: Hardware orientation.

- 15) Leave all hardware loose and align the wing to line up with the geometry of the RCI Pike bumper.
 - a. If the wings are contacting the body of the truck remove them and trim.
 - b. There should be a consistent 1/8" gap between the wings and the body of the truck.

- 16) Once the wings are aligned fully tighten all 4 mounting locations.



Figure 8: Correct installation.

17) Repeat the installation process on the opposite side of the vehicle.

18) Once both wings are fully installed, trim the inner fender liners to preference.



Figure 9: Example of trimmed fender liner.

Enjoy your new RCI protection!



Share your new install with us on social media!
We love seeing our products out in the wild!

www.rcimetalworks.com

sales@rcioffroad.com

970-797-3089

REV: 1 | 9/29/2022



Disclaimer: The products sold by RCI Metalworks are intended for off-road use only, should not be modified, and are for use only on the vehicle(s) specifically stated. RCI Metalworks makes no warranties express or implied, including of fitness for a particular purpose or merchantability. RCI Metalworks will not be liable for any damages arising out of the use or misuse of its products. It is the customers' responsibility to ensure the products are safely and properly attached to the vehicle, and all products should be installed by trained professionals. We strive to maintain extremely high quality standards; however, all RCI Metalworks products are individually handcrafted, may vary slightly, and may contain minor imperfections. Due to the nature of raw aluminum, the material may have minor scratches and other blemishes caused by the manufacturing process, especially on the back side of product. RCI Metalworks is constantly seeking to improve its products and reserves the right to make changes to any product.

