

## INSTALLATION MANUAL

### DOOR ROCKER PANEL SET TACOMA 2015 DOUBLE CAB

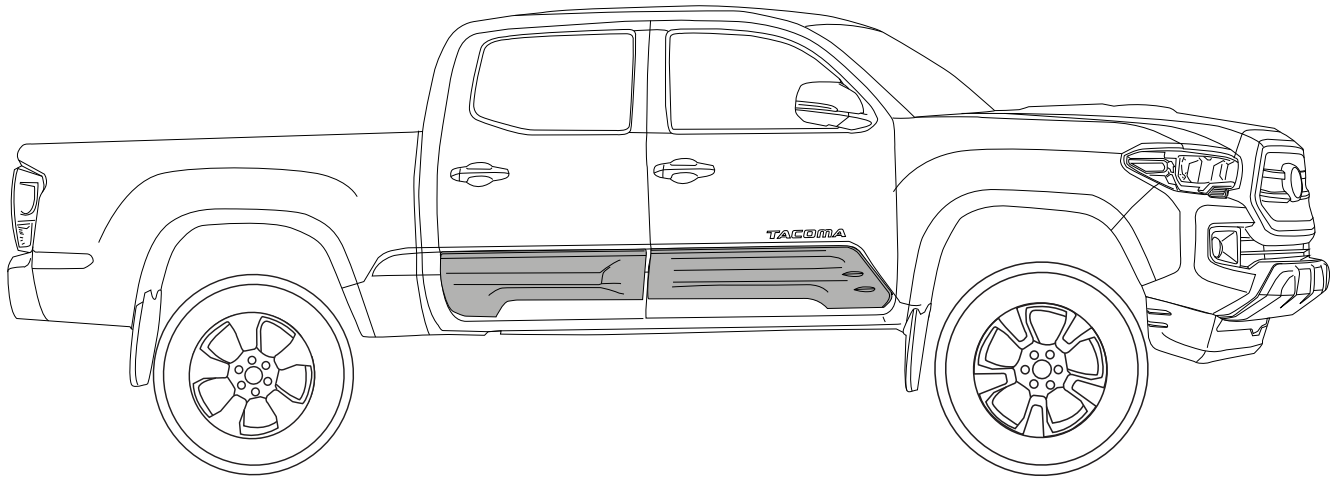
PART #: TO02D05



**READ CAREFULLY  
BEFORE INSTALLATION**



**WASH BEFORE  
INSTALLING**



### AFTER INSTALLING

**DO NOT  
WASH CAR**



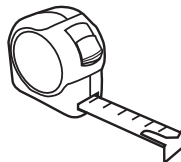
**24 hrs**

**DRIVE SLOWLY  
25 mph max**






**WE RECOMMEND  
2 PERSONS FOR  
INSTALLATION**

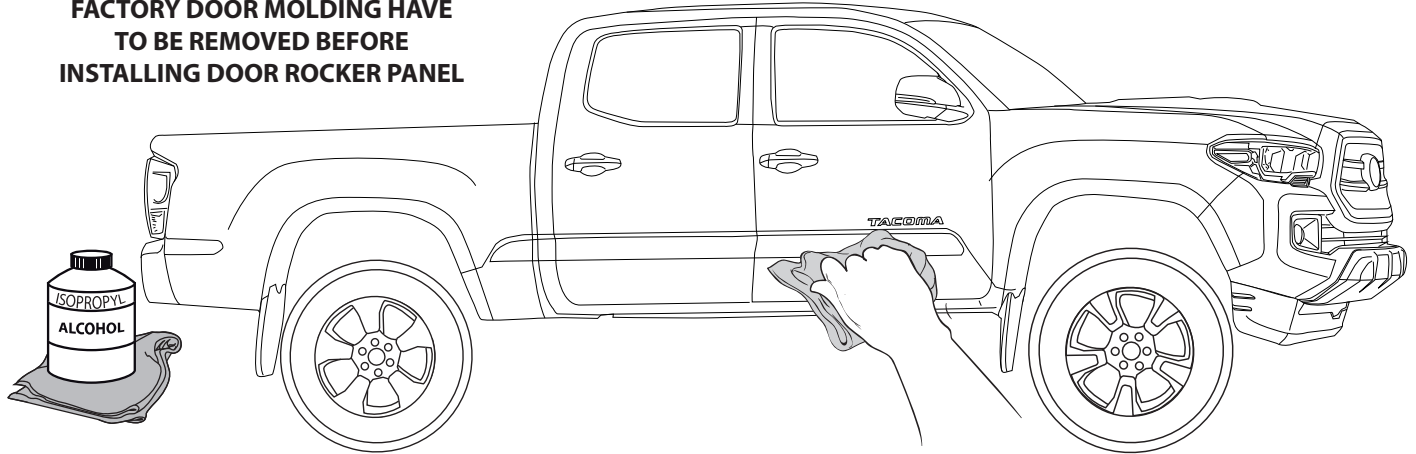
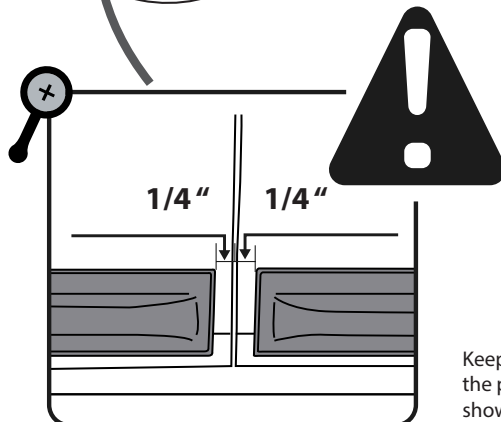
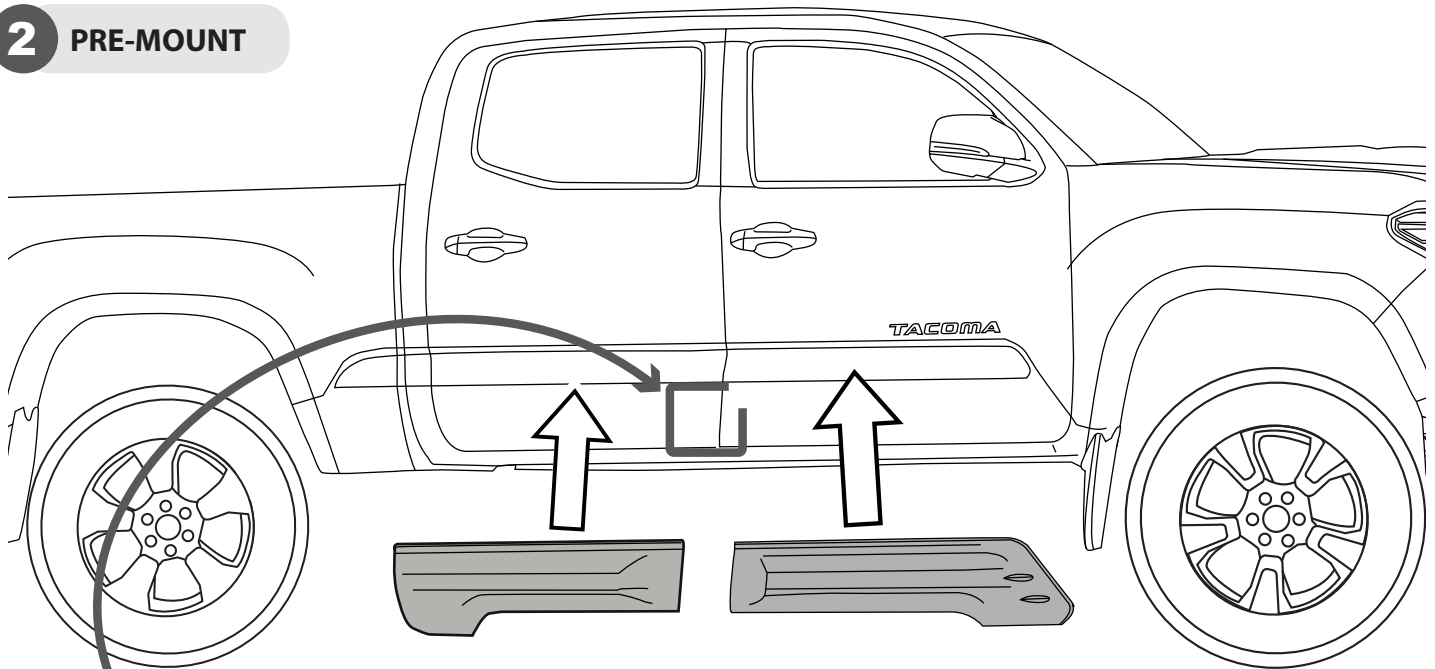
### TOOLS



### CHECK LIST

\*Already installed in the part

ITEM	DESCRIPTION	DRAWING	AMOUNT
<b>A</b>	*VHB TAPE		N/A
<b>B</b>	GREASE PENCIL		1 pc
<b>C</b>	ADHESION PROMOTER		1 pc

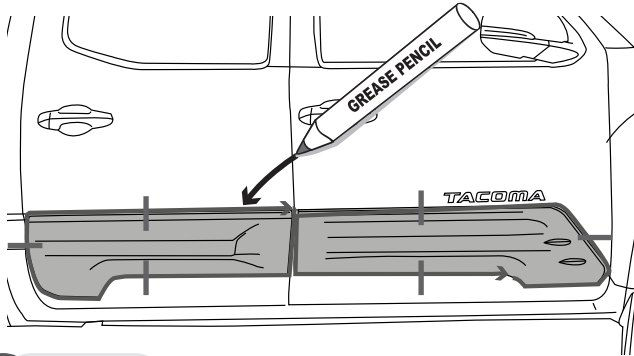
**FRONT & REAR ROCKER PANEL****1 CLEAN****WASH WITH WATER, DETERGENT AND  
SOFT CLOTH OR SPONGE****FACTORY DOOR MOLDING HAVE  
TO BE REMOVED BEFORE  
INSTALLING DOOR ROCKER PANEL****2 PRE-MOUNT**

Keep the indicated separation between  
the panels and the edge of the doors as  
shown in the picture

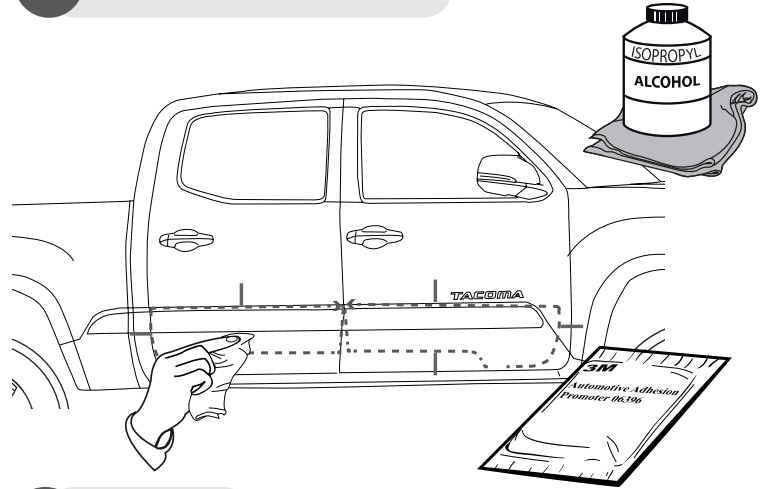
## INSTALLATION MANUAL

### 3 MARK

DRAW CENTER HASH MARK WITH GREASE PENCIL ON ROCKER PANEL AND SHEET METAL, THIS WILL ENSURE ROCKER PANEL WILL BE CENTERED TO GREASE PENCIL OUTLINE.

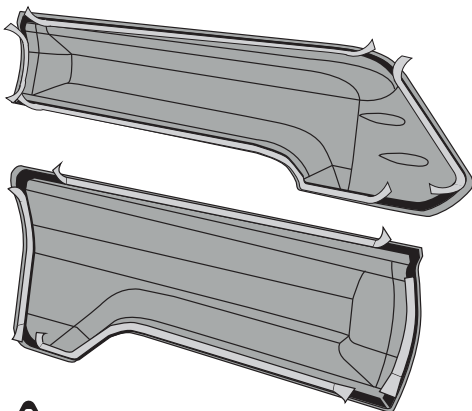


### 4 ADHESION PROMOTER

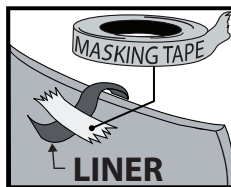
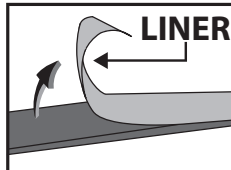


### 5 PEEL

WARM SURFACES WITH HEAT GUN IF SURFACE TEMPERATURE IS TOO COLD

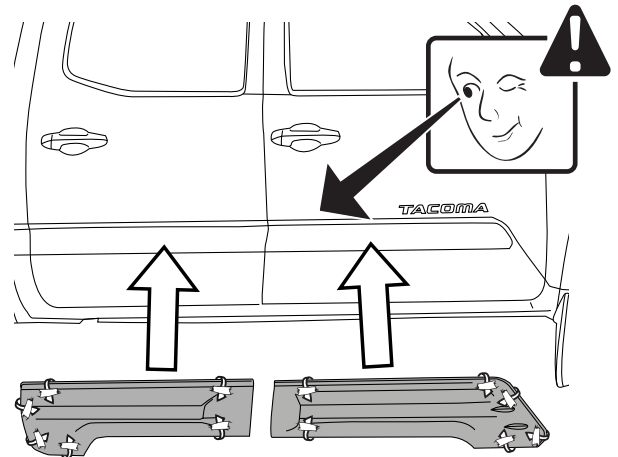


#### PEEL OFF



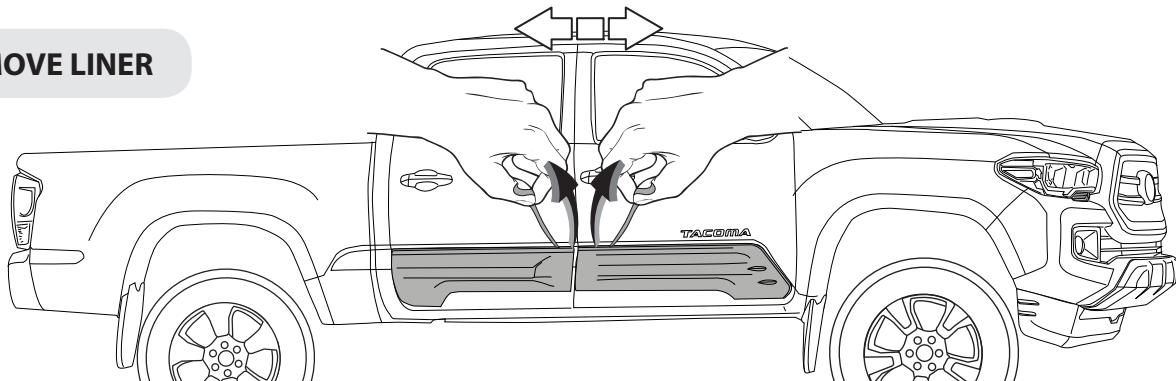
Hold the liner out

### 6 PLACE

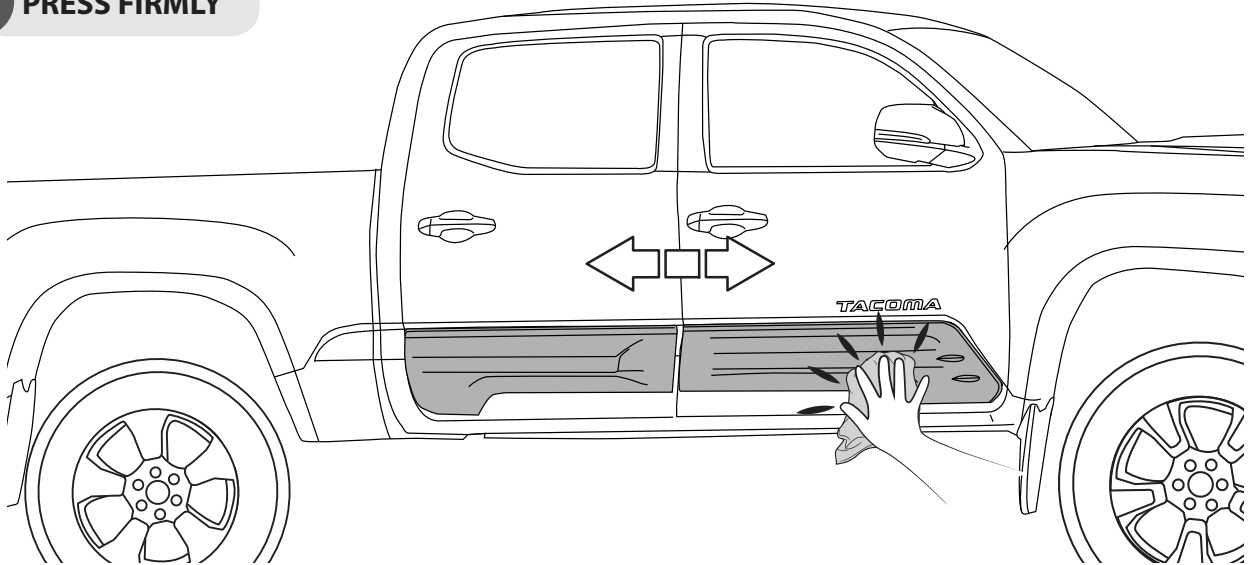


A full surface contact between tape and substrate is decisive for good adhesion performance. Contact is achieved by applying pressure. In practice a pressure between 40 and 50 N/cm<sup>2</sup> is usually needed and an application temperature between 25 and 45 °C or 77 and 113 °F is also necessary. During application, add-on parts and tapes must have the similar temperature.

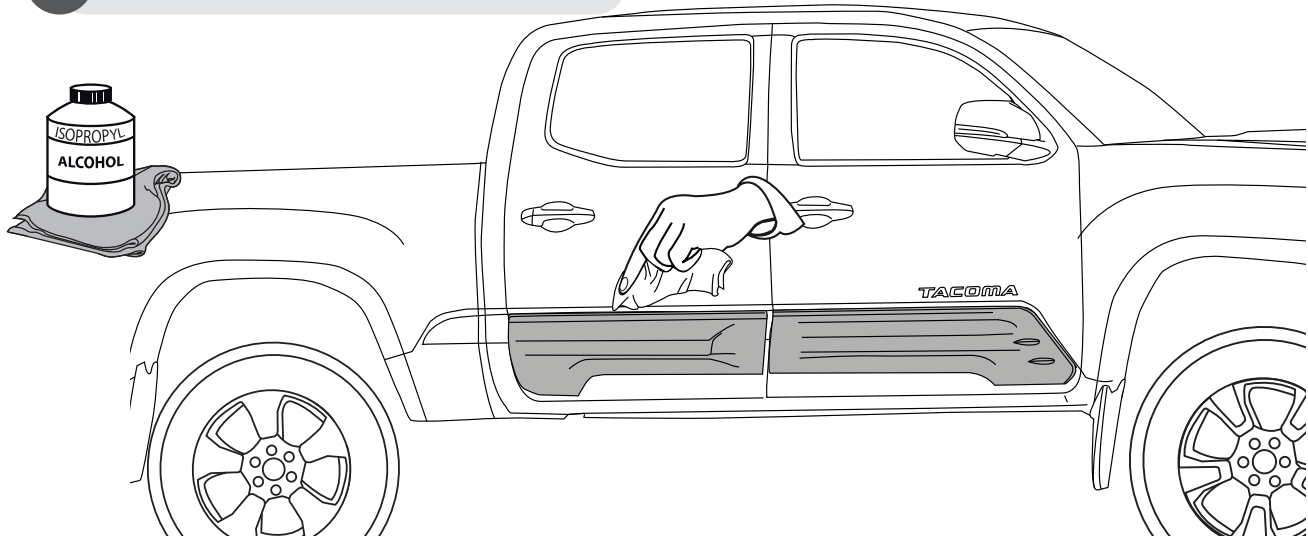
### 7 REMOVE LINER



**8 PRESS FIRMLY**



**9 CLEAN OFF GREASE PENCIL MARK**



**INSTALLED PARTS**

