

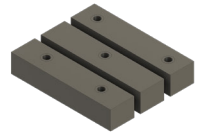
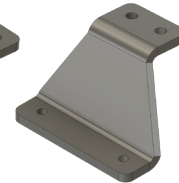
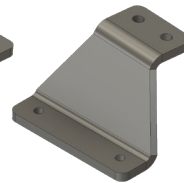
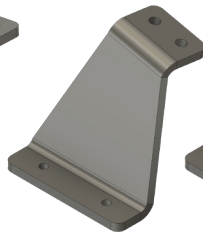
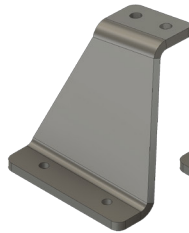
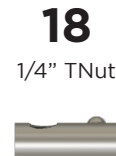
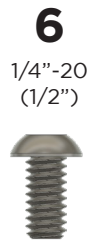


# GRAND TETON

I N S T A L L I N S T R U C T I O N S

# HARDWARE CHECKLIST

Exact hardware color counts may vary based on the options selected at checkout.



**1**  
PASSENGER  
FRONT  
BRACKET

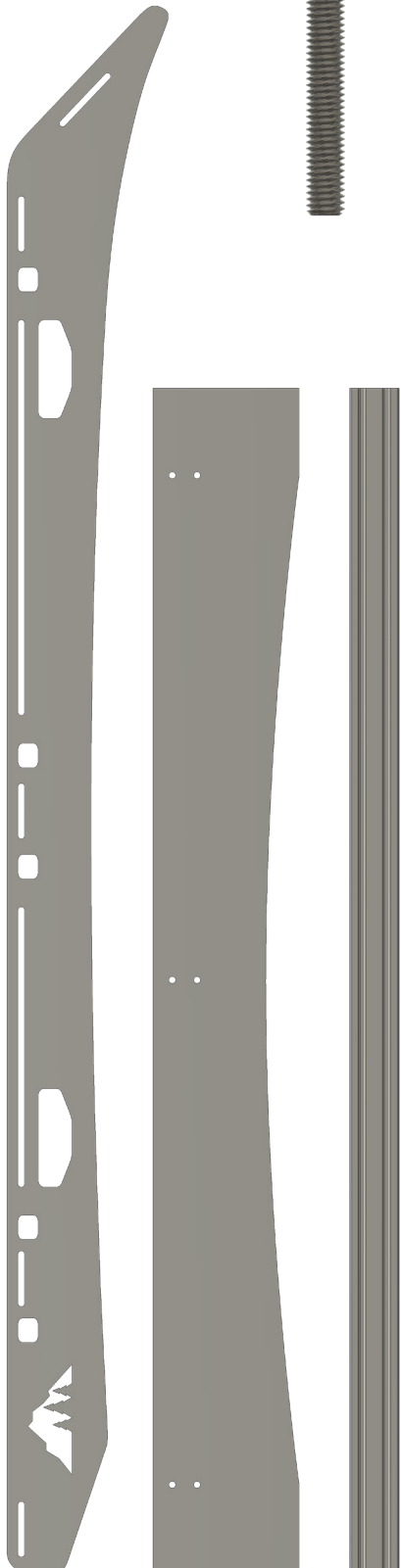
**1**  
DRIVER  
FRONT  
BRACKET

**2**  
MIDDLE  
BRACKETS

**1**  
PASSENGER  
REAR  
BRACKET

**1**  
DRIVER  
REAR  
BRACKET

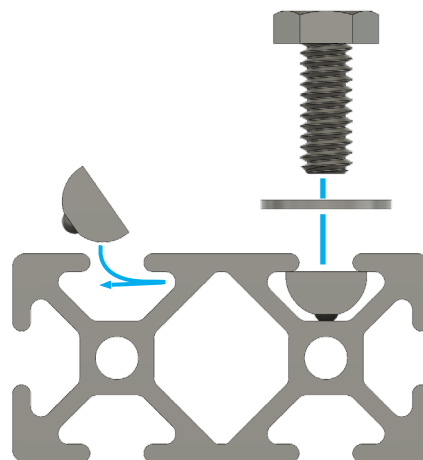
**2**  
SETS OF  
RUBBER  
SPACERS

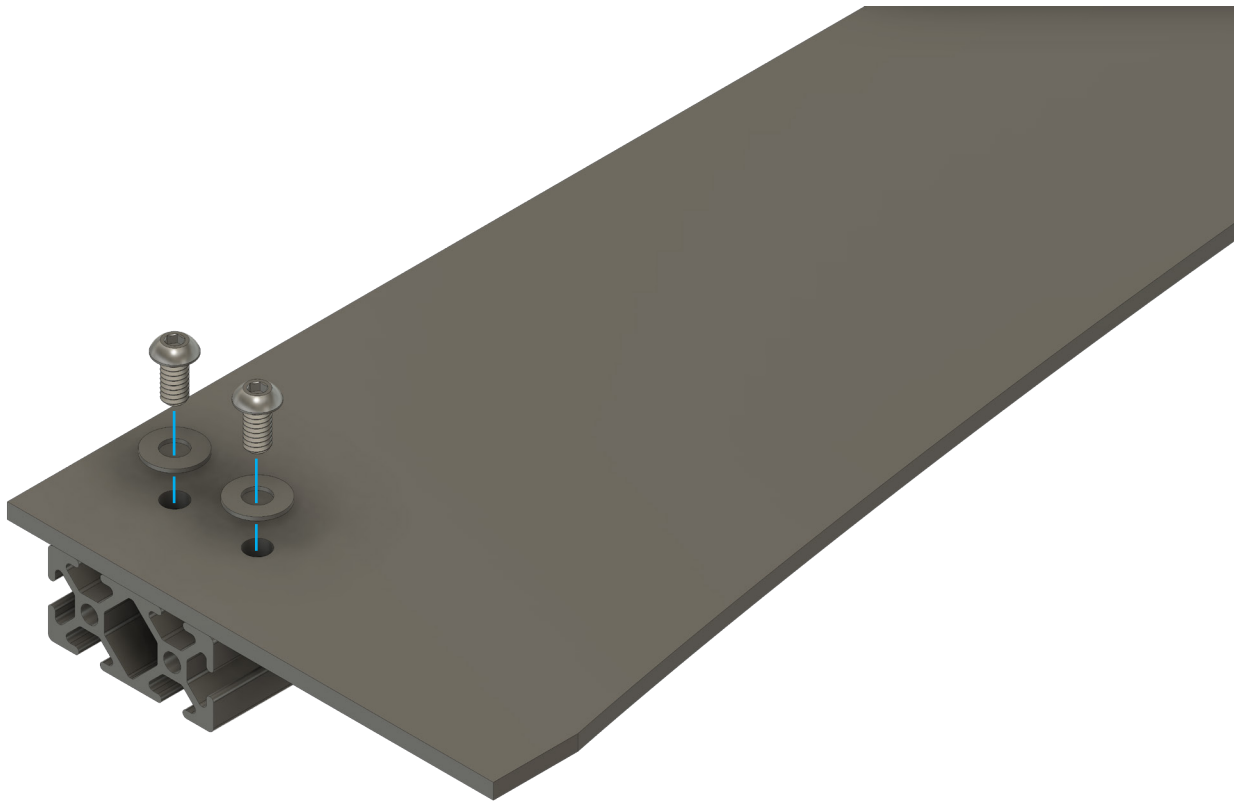


## BEFORE YOU BEGIN

REMOVE YOUR STOCK ROOF RACK  
(IF APPLICABLE)

## USING TNUTS





## PRE-ASSEMBLY

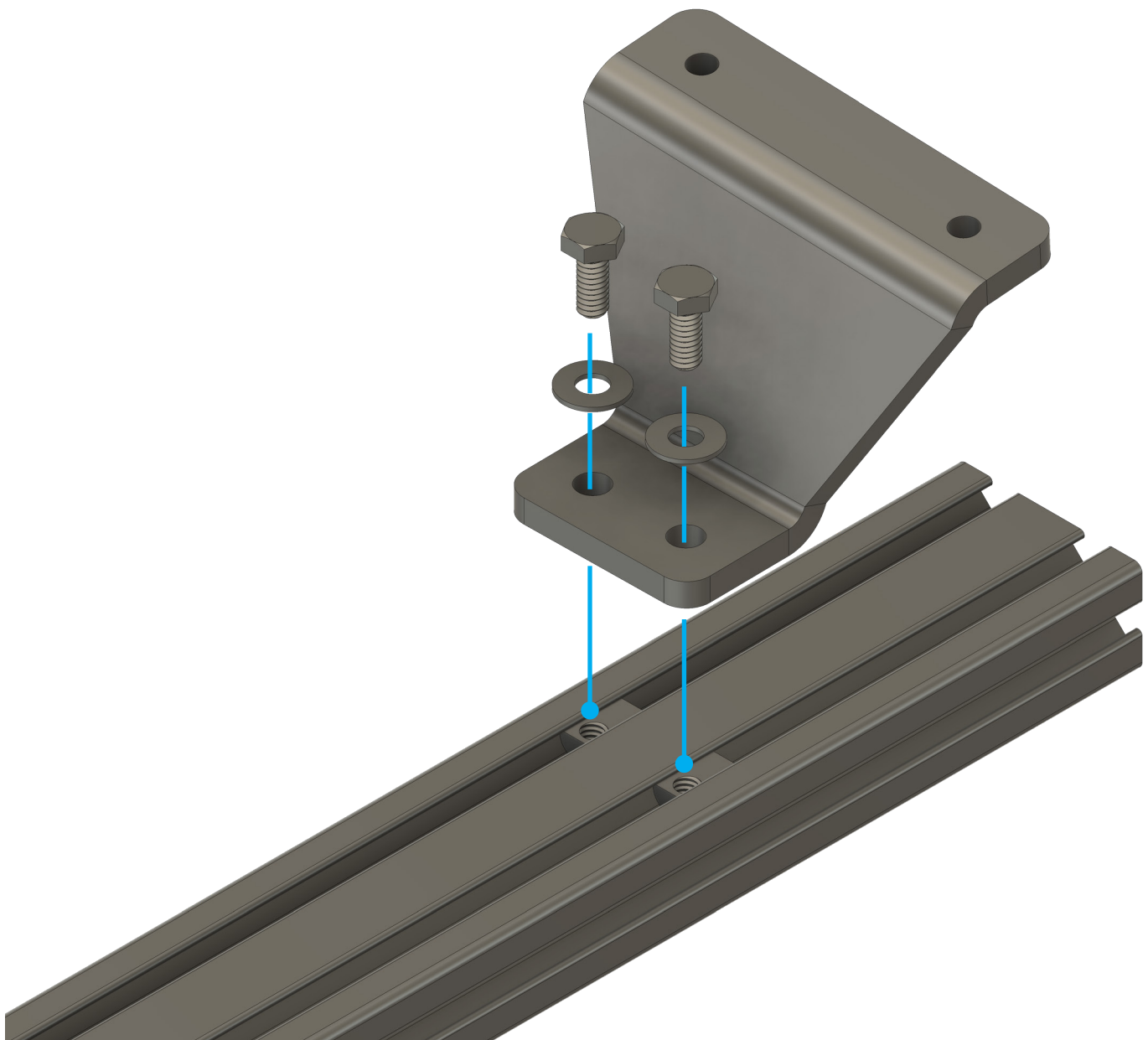
Required Components:

**6x** 1/4"-20 x 1/2"

**6x** 1/4" Flat Washers

**6x** Tnuts

Drop 6 tnuts into the slots on the cross member and line them up with the holes in the fairing. Secure with 6 bolts and washers.



## PRE-ASSEMBLY

Required Components:

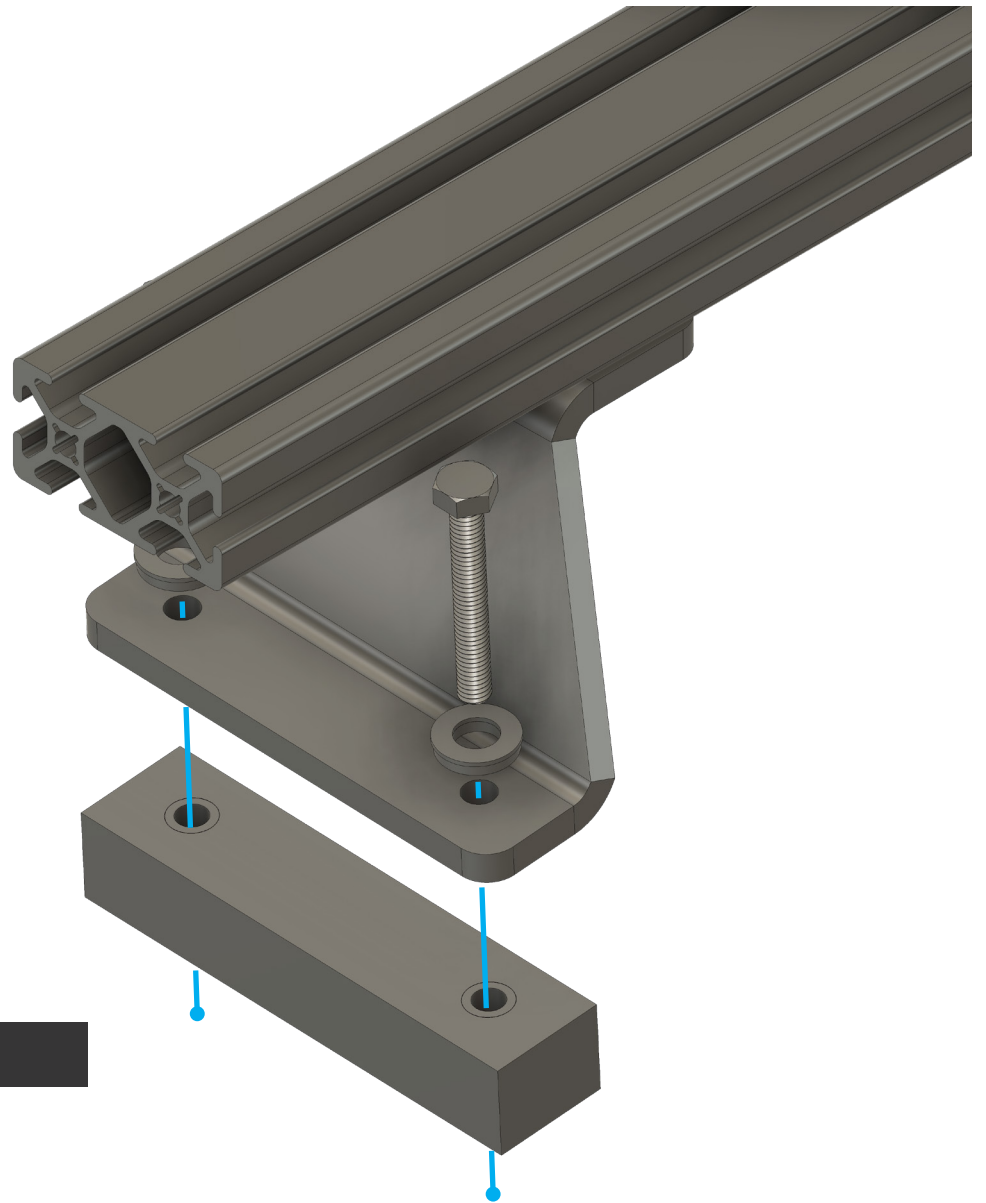
**12x** 1/4"-20 x 5/8"

**12x** 1/4" Flat Washers

**12x** 1/4" Nuts

Secure top of the mounting brackets to the three main cross members.

Leave the hardware in the center of the leveling mount loose so that it can be adjusted during a later step.



## 01

Required Components:

**10x** M6 Bolts

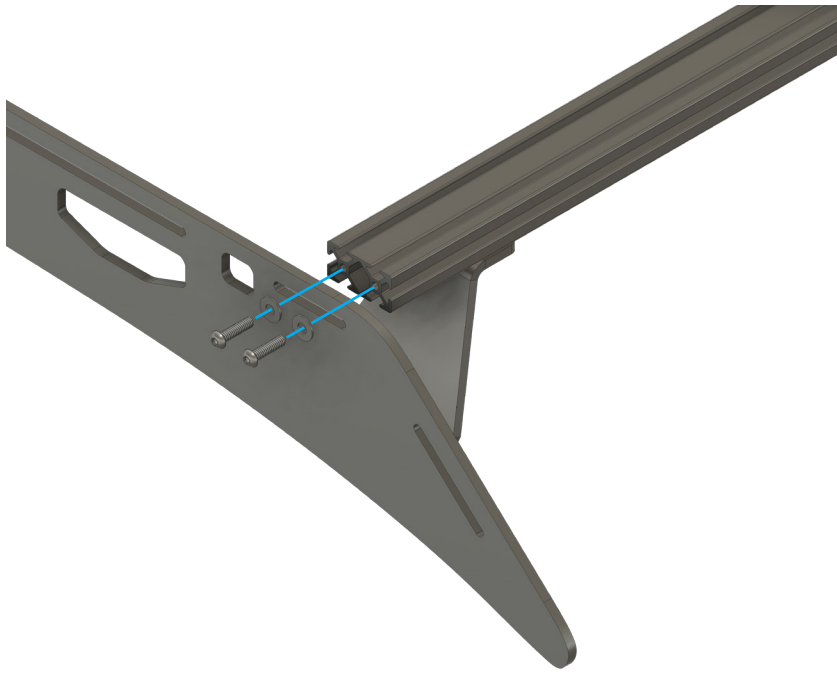
**10x** M6 Flat Washers

Next, install the rear and middle mounting brackets. Align the rubber spacers with the factory holes in your roof gutter. The thin side of the rubber should be positioned towards the center of the vehicle.

Position the mounting bracket over the rubber spacer and secure it with 10 bolts and bonded washers passed through the bracket, rubber, and into the holes in the roof.

**The bonded washers should compress and become flat, but not concave. Do not over tighten these mounts.**

**TORQUE SPEC: 22in-lb**



## 02

Required Components:

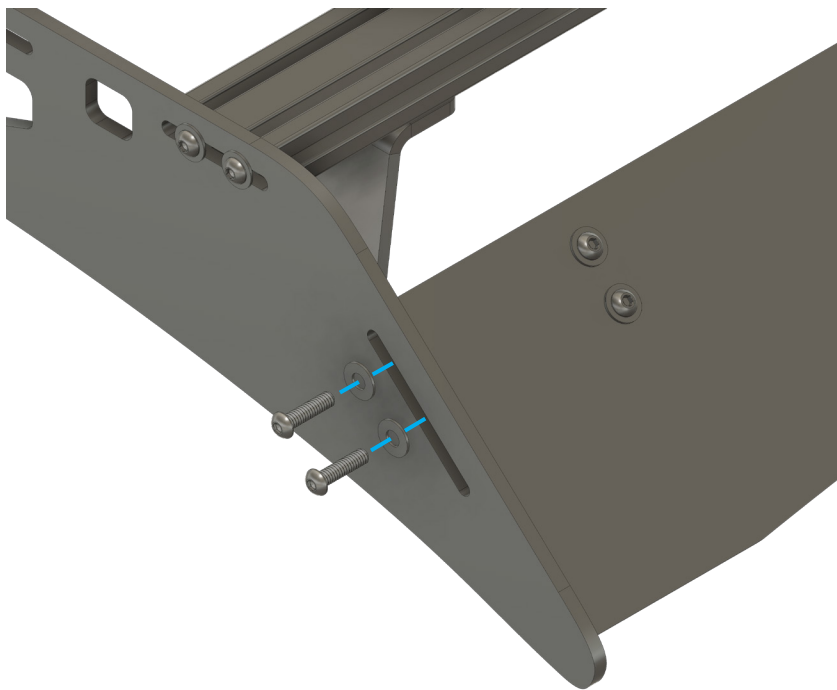
**12x** 1/4"-20 x 1"

**12x** 1/4" Flat Washers

After the main support cross members have been secured to the vehicle, you can use a tape measure and center all of the bars on the vehicle. We recommend measuring from the inside edge of the mount to the outside face of the crossbar.

Once all the bars are centered, install the side plates. Align the small slots in the rack side with the ends of the main support crossmembers. Secure it using 12 bolts and washers. Leave the bolts loose enough to move the sideplate to the position that matches the curve of the vehicle.

Once the rack is positioned correctly, tighten down all of the hardware for the rack sides, mounting hardware and roof track bolts.



**THE NEXT TWO STEPS CAN BE COMPLETED IN ANY ORDER.**

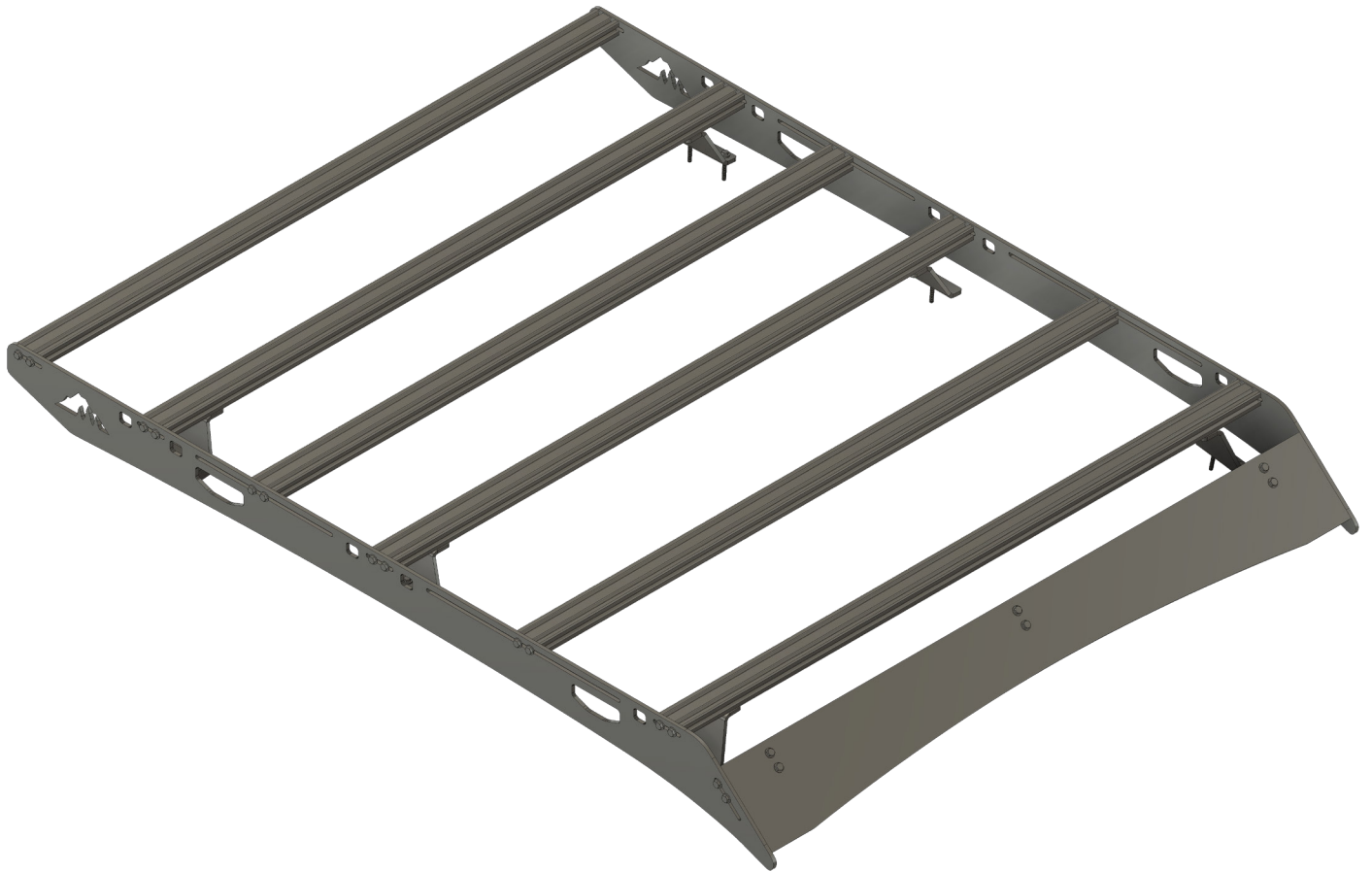
## 03

Required Components:

**4x** 1/4"-20 x 1"

**4x** 1/4" Flat Washers

Position the wind fairing in line with the diagonal slot at the front of the rack. Align the bottom of the fairing with the tip of the roof rack and secure it using 4 bolts and washers.



## 04

Required Components:

**12x** 1/4"-20 x 7/8"

**12x** 1/4" Flat Washers

Secure all of the remaining cross members to the rack system. Position according to your load requirements.

# EXPLORE.

All products built and designed by Sherpa Equipment Company are intended for off-road use and should be assembled, installed, and used according to Sherpa Equipment Company's recommendations. Sherpa Equipment Companies products should be used safely with good judgment towards others and surroundings.

By installing Sherpa Equipment Companies products on your vehicle you assume all liability. Sherpa Equipment Company will not be held liable for damages or loss associated with the installation or use of its products. It is recommended that you inspect your roof rack within the first 100 miles of installation and every 500 miles after.