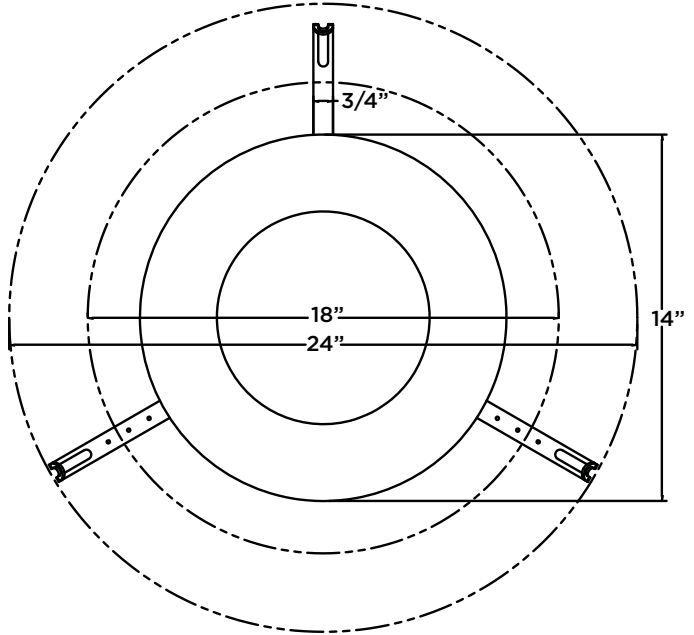
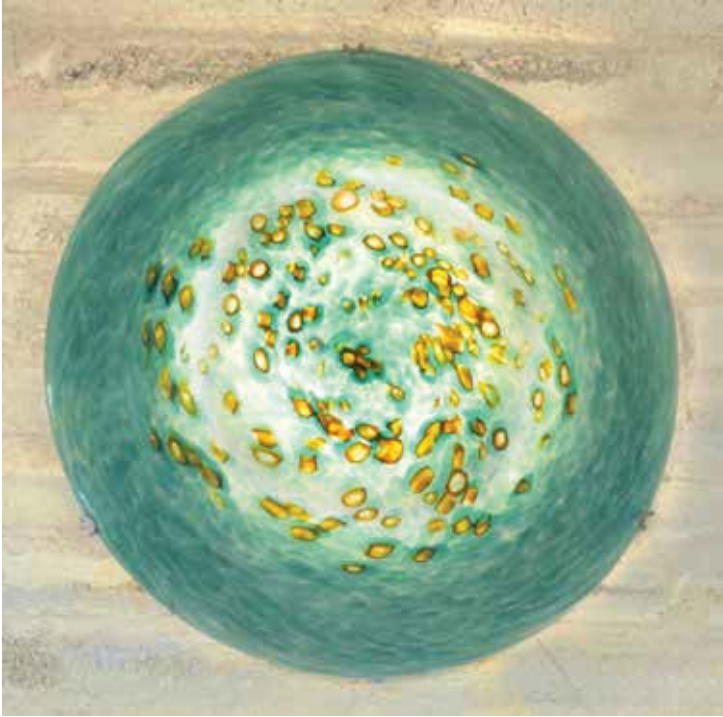




**WGW PLATTER  
Sconce**

**PRODUCT SPECIFICATION  
SHEET**

Name: \_\_\_\_\_  
 Phone: \_\_\_\_\_  
 Email: \_\_\_\_\_  
 \_\_\_\_\_



Shown in Nickel with a Large Emerald Ocean (Opaque) Platter

**Description**  
 Glass adjustable LED platter  
 sconce

**Order Numbers**  
 Meyda Number: See Finish

**Country of Manufacture**  
 USA

**Location Rating**  
 UL Damp

**Overall Dimensions**  
 Height: 18" to 24"  
 Width: 18" to 24"  
 Depth: 6" (4" ADA available)  
 Canopy: n/a

**Weight**  
 Fixture: Weight: 5.2 lbs

**Lamping**  
 20W Circular LED Module  
 (LED recommended)

**Voltage**  
 120V/277V, hardwired

**Dimming**  
 Yes

**Notes**  
 Contract Quality Construction

**Finish**  
 #143598 Nickel  
 Custom

**Kelvin**  
 2700K  
 3000K  
 4000K

**Glass Shape**  
 Platter

**Glass Size**  
 Large: 18" to 20"  
 Extra-Large: 20" to 22"  
 Extra-Extra-Large 22" to 24"

**Glass Pattern**  
 \*Please see our custom shade pattern  
 lists for options\*

**Glass Hole Size**  
 None

**WGW.COM**  
 512-393-3316  
 lighting@wgw.com  
 6469 Ranch Road 12  
 San Marcos, TX 78666