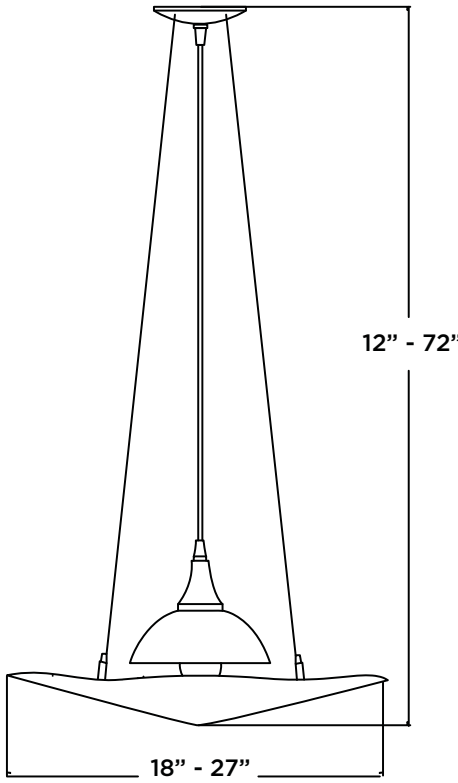




**WGW PLATTER  
Pendant**

**PRODUCT SPECIFICATION  
SHEET**

Name: \_\_\_\_\_  
 Phone: \_\_\_\_\_  
 Email: \_\_\_\_\_  
 \_\_\_\_\_



Shown in Nickel with a Large Oceanstone with Custom Gold Lip Wrap Platter

**Description**

Adjustable glass platter-style inverted pendant. Slope ceiling adaptable.

**Order Numbers**

Meyda Number: See Finish

**Country of Manufacture**

USA

**Location Rating**

UL Damp

**Overall Dimensions**

Height: 12" to 72"  
 Width: 16" to 27"  
 Depth: 16" to 27"  
 Canopy: 5"

**Weight**

Fixture: Weight: 1.4 lbs

**Lamping**

(1) Medium Base, 60W max  
 (LED recommended)

**Voltage**

120V, hardwired

**Dimming**

Yes

**Notes**

Contract Quality Construction

**Finish**

#148674 Nickel  
 Custom

**Glass Shape**

Platter

**Glass Size**

Medium: 16" to 18"  
 Large: 18" to 20"  
 Extra-Large: 20" to 22"  
 Extra-Extra-Large: 22 to 24"

**Glass Pattern**

\*Please see our custom shade pattern lists for options\*

**Glass Hole Size**

(3) Extra Small (6mm)

**WGW.COM**

512-393-3316  
 lighting@wgw.com  
 6469 Ranch Road 12  
 San Marcos, TX 78666