

Strutted Headboard Assembly Instructions

Carefully unpack your headboard.
Do not use a knife to cut through packaging.

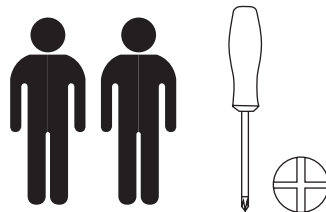


Top tips, important safety information and recommendations

Assembly: 2 person

Required area: 1 x 2 metres

Required tools: Cross head screwdriver



Important:

Please check that all the parts are present and read the instructions thoroughly before commencing with assembly and retain them for future reference.

It is important to inspect all items BEFORE assembly, if for any reason you need to return this item, you must return it in its original packaging. Assembled items CANNOT be returned.

Tips before you start:

We recommend that all items are assembled close to the place they will be in use and on a protective surface to avoid any unnecessary movement or contact that may damage the product.

For ease during assembly identify the parts required before commencing each step, taking care to avoid over-tightening the fittings as this may damage the furniture.

Safety:

Take extreme care when handling and lifting heavy products to avoid personal injury or damage to the item. Keep children well away from the assembly area due to the heavy products as well as choking hazard from small components.

Warning:

Please use this product for the specified purpose only, it is not to be stood on. If parts are missing, broken, damaged or worn stop using the product until fully repaired.


Failure to follow safety and warning information could result in serious injury.


Recommendations:

Please periodically check all fittings and re-tighten if necessary.


To avoid fire risks, warping and surface de-lamination keep away from strong heat sources and never allow liquid to remain on your furniture. To clean, lightly dampen a soft cloth and wipe, buffing with a dry clean cloth.

Supplied Fittings

E	
35mm	
90 - 150cm Headboard	x 4
180cm Headboard	x 8

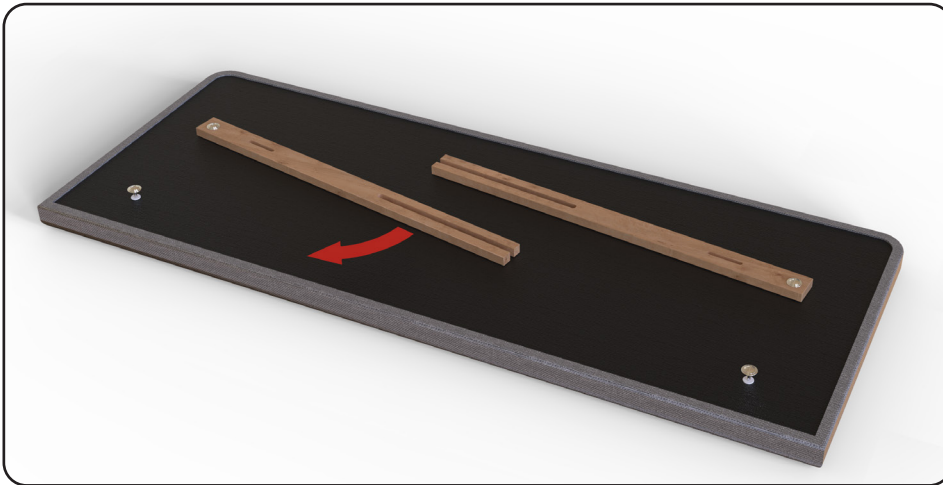
F	
Strut	
90 - 150cm Headboard	x 2
180cm Headboard	x 4

Supplied with
Divan/Ottoman base

G	
Bolt	
90 - 150cm Headboard	x 4
180cm Headboard	x 8

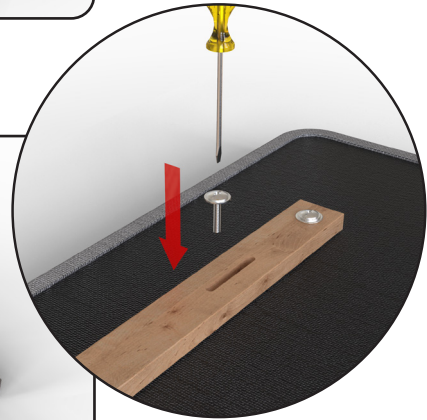
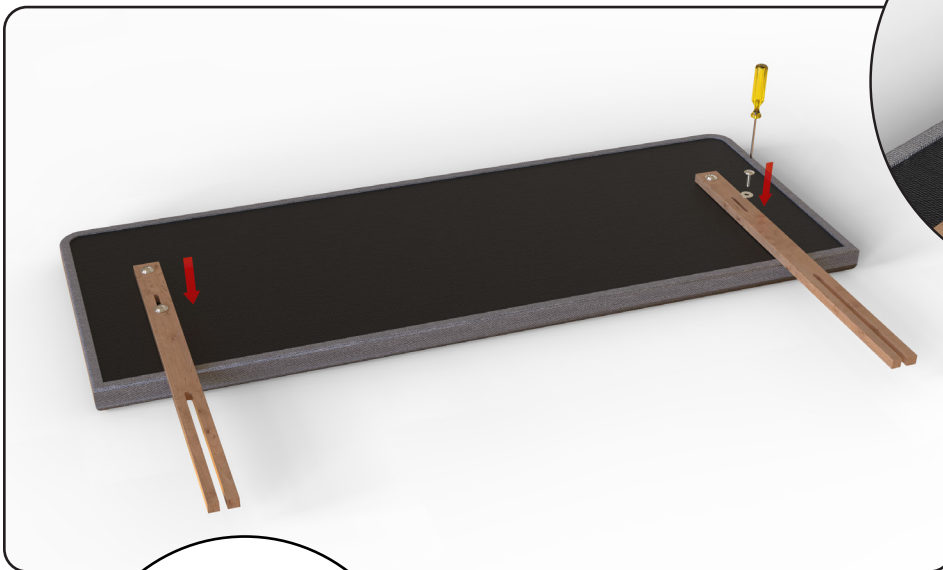
Please check you have the correct fittings and read through before commencing with assembly

Step 1



Using a screwdriver loosen the prefitted bolts (E) and rotate struts (F) into position

Step 2

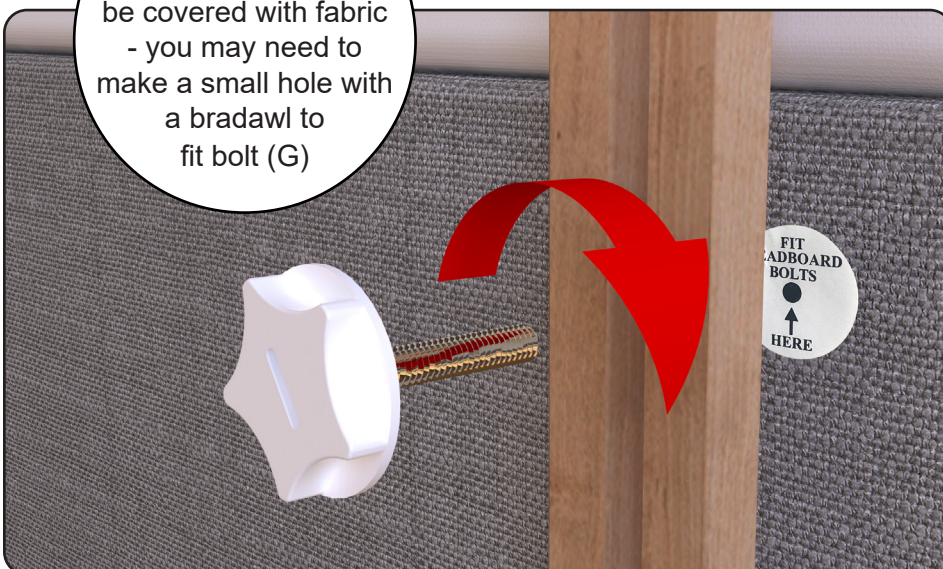


Fit struts using bolt (E)

Quick Tip:

The metal insert may be covered with fabric - you may need to make a small hole with a bradawl to fit bolt (G)

Step 3



Fit headboard to bed using bolts (G). These can be tightened by hand. Check your headboard is at preferred height and level before fully tightening.

Please Note:

This fitting is not supplied with the headboard, this is supplied with the Divan/Ottoman base.

