

## USER MANUAL

Thank you for purchasing the Solpro Pyxis 64GB. Please read this user manual carefully and follow all instructions thoroughly before using this product.



**NOTICE:**  
For best results, charge full before use.

## Section 1

## CHARGING THE SOLPRO PYXIS 64GB™

There are two primary methods to charge the Solpro Pyxis 64GB:

- Method 1:** Connect the provided USB cable into any standard USB 5V power supply and plug the Micro-USB end into the USB data port (4) of the Solpro Pyxis 64GB. After connected, the blue LED indicators will light up showing that the Solpro Pyxis 64GB is being charged:
  - First blue LED flashing: battery between 1%-25%
  - Second blue LED flashing: battery between 26%-50%
  - Third blue LED flashing: battery between 51%-75%
  - Forth blue LED flashing: battery between 76%-99%
  - When the Solpro Pyxis 64GB is finished charging (100%), all four blue LED indicators will remain lit for as long as the power supply is connected.
- Method 2:** Open the Solpro Pyxis 64GB so that the solar panels are receiving sunlight. The orange solar charge LED indicator (6) will be on when sufficient solar energy is being received to charge the Solpro Pyxis 64GBs internal battery.

**Check Battery Charge Level:** To check the battery charge status when not charging the Solpro Pyxis 64GB, press the button next to the LED indicators (7). The blue LED indicators will light indicating battery charge level. The blue LEDs will turn off automatically after a moment.

## Section 2

## CHARGING YOUR DEVICES



**WARNING:**  
Use the Solpro Pyxis 64GB to charge only standard 5V USB devices.

- Insert the USB charging cable into either the 1.0A or 2.1A USB output port of Solpro Pyxis 64GB and the Micro-USB end into your device.
- The blue LED indicator(s) will turn on automatically when the Solpro Pyxis 64GB is being used to charge your device, and off again after a moment. The number of lights lit indicates the battery charge level.

## Section 3

## SPECIAL FEATURES

- Patent-Pending Through-Charging:** After connecting any 5V power supply, connect your devices to either or both of the 1.0A or 2.1A output ports, the Solpro Pyxis 64GB will prioritize charge to your devices before charging itself.
- 64GB Storage:**
  - Computer:** Connect your Solpro Pyxis 64GB to your computer via the provided Micro-USB input port.
  - OTG Compatible Device:** Connect the provided OTG cable to your on-the-go compatible device, then connect your Solpro Pyxis 64GB via USB to Micro-USB cable to the open end of the OTG cable. **Disconnect once transfer is complete.**

## Section 4

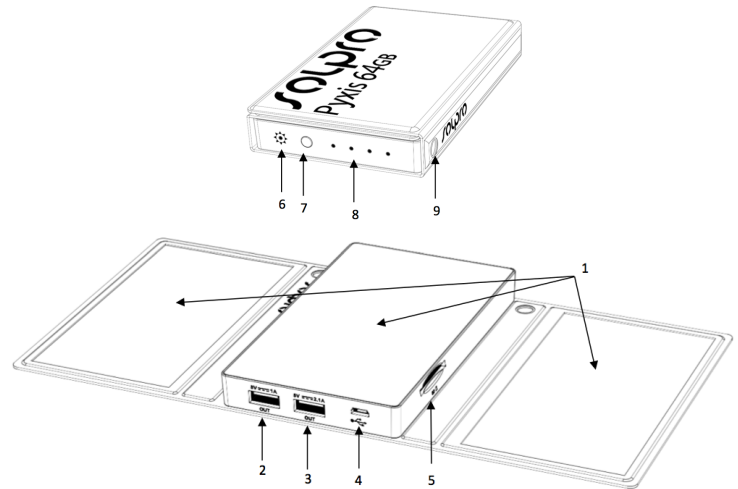
## TECHNICAL SPECIFICATIONS

SPECIFICATIONS	
Battery Cell	High Temperature Lithium-Polymer
Power Capacity	5000mAh equivalent (18.5Wh)
Solar Panel	High Efficiency Mono-Crystalline
Rated Input	USB 5.0V / 1.5A (Min Input 0.2A)
Rated Outputs	USB 5.0V / 1.0A and 5.0V / 2.1A Max
Charging time:	By Solar Panels: 5.0 hours <sup>†</sup> By Micro-USB input port: 4 hours or less
Dimensions	5.12" x 3.15" x 0.79" (130 x 78.5 x 20mm)
Weight	0.69lb (312g)

<sup>†</sup> Under Standard Test Conditions (STC)

## Section 5

## PART IDENTIFICATION



- High Efficiency Mono-Crystalline solar panels
- 5V / 1.0A USB Output Port
- 5V / 2.1A UUB Output Port
- 5V / 1.5A Micro-USB Input Port
- SDXC Class 10 Card Port
- Orange LED on indicates solar charging
- Test button: Press to check battery charge level  
Manually re-prioritize device charging
- Battery charge level indicator LEDs
- Carabiner Hook Holes

## Section 6

## SAFETY PRECAUTIONS

This product has been designed and manufactured to ensure personal safety. Please read the following carefully before using the product. Incorrect operation or incompatibility with your device may result in reduced battery performance or damage to your device.



**CHOKING HAZARD:**  
Contains small parts. Keep out of reach of babies & small children.

- Check voltage of your device for compatibility with the product.
- Store and operate between 32°F to 113°F (0°C to 45°C). Keep the product away from any heat sources. Temperatures over 60° may cause damage.
- Keep the product dry and away from water. Do not bring this product in contact with liquids. Do not drop, throw, impact or shake the product.
- It is recommended to keep the USB Weather Resistance Silicone Plugs installed on the Solpro Pyxis 64GB when the ports are not in use.
- Do not operate the product if it has been subjected to shock or damage.
- Do not solder, crush, disassemble or puncture the product.
- Do not bend the solar panels.
- Recharge the product every 3 months when not in use. Use a soft cloth to clean the exterior. Do not use harsh chemicals or strong cleaning solvents.
- Improper use of the Solpro Pyxis 64GB will void the warranty.

## Section 7

## PACKAGE CONTENTS

- Solpro Pyxis 64GB Unit
- USB to Micro-USB Data & Charging Cable
- Micro-USB to USB OTG Cable
- Solpro Pyxis 64GB User Manual
- Carabiner Hooks
- USB Weather Resistant Silicone Plugs
- Micro-USB Weather Resistant Silicone Plug
- SD Card Port Weather Resistant Silicone Plug

## Section 8

## WARRANTY

Solpro Pyxis 64GB includes a 12 month warranty. Warranty is void if the device is opened by unauthorized personnel.