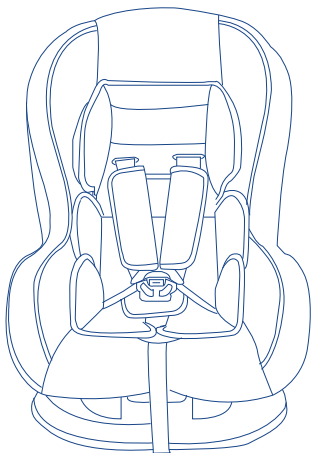


COZY **N** SAFE®

NEVIS

INSTRUCTION MANUAL



EST-392
Group 0+/1
Birth to 18kg
(Approximately Birth - 4 years)

ECE R 16 No 44.04

Congratulations on your purchase of the Nevis car seat.

Please read this instruction manual carefully before use.
If you have any questions concerning the use of this child seat, please do not hesitate to contact us.

EST-392 Car Seat

NOTICE!

1. This is a “Universal” child restraint. It is approved to Regulation NO.44.04 series of amendments, for general use in vehicle and it will fit most, but not all cars.
2. A correct fit is likely if the vehicle manufacturer has declared in the vehicle handbook that the vehicle is capable of accepting a “Universal” child restraint for this age group.
3. This child restraint has been classified as “Universal”

EST - 392 Car Seat

NOTICE!

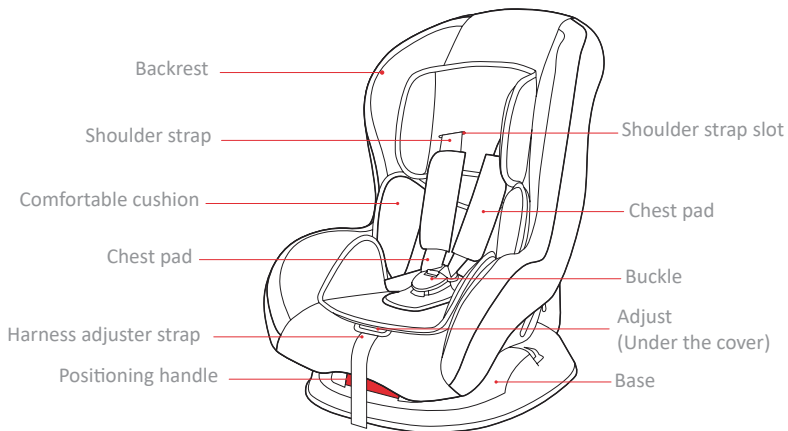
under more stringent conditions than those which applied to earlier designs which do not carry this notice.

4. If in doubt, consult either the child restraint manufacturer or the retailer.

Only suitable if the vehicle is fitted with 3-point safety belts, Approved to UN/ECE Regulation No.16 or other equivalent standards.

EST-392 Car Seat

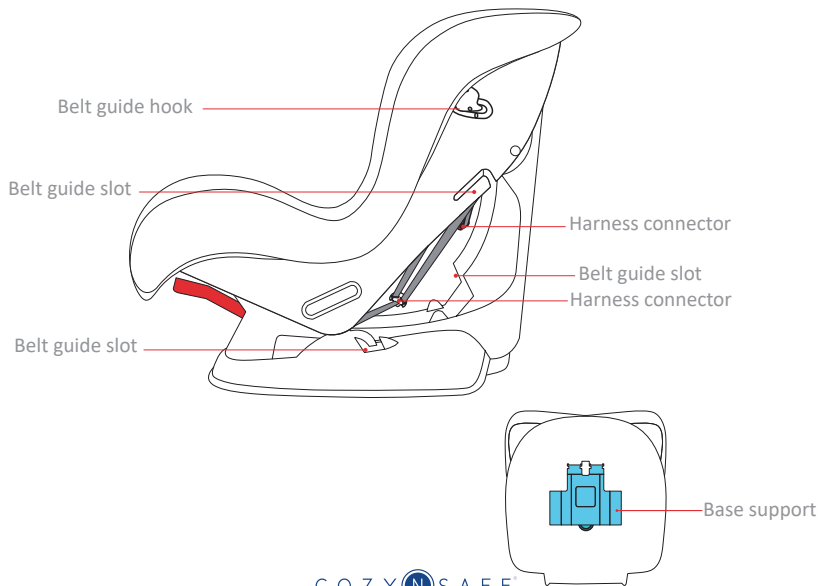
PARTS



COZY  SAFE™

EST-392 Car Seat

PARTS



COZY  SAFE

EST-392 Car Seat

Features

1. The backrest of this product can be adjusted to 4 different recline positions, so the child can sit in recline during travel.
2. This product has 3 adjustable shoulder strap heights to adjust to the required height of your child.
3. This child seat can only be used for children from birth - 4 years (approximately), installed rearward-facing and then forward-facing.

SAFETY WARNINGS

COZY  SAFE™

EST - 392 Car Seat

For your child's safety, please read these instructions carefully before use and keep them for future reference. Failure to follow the instructions contained in this manual could result in serious injury to your child.

1. This child seat can only be used with the harness for children less than 18 kg in weight (group 0+, less than 13kg; group I, 9-18kg).
2. This child seat can be installed rearward-facing and forward-facing using a three-point lap and diagonal seat belt. Important - Do not use forward-facing before the child's weight exceeds 9kg.

EST-392 Car Seat

3. This instruction manual can be retained in the allocated space designated on the child seat for its life period.
4. Do not use this child seat in the home. It has not been designed for home use and should only be used in your car.
5. It is recommended that children are not left in their child restraint system unattended.
6. Do not place rear-facing child seat on front seat with airbag. Death or serious injury can occur.

EST - 392 Car Seat

7. The child seat should be changed when it has been subject to violent stresses in an accident.
8. For the reason of safety, the child seat must be fixed inside the vehicle even if you do not put your child inside the child seat.
9. Always make sure that any straps holding the seat restraint to the vehicle are tight, any straps restraining the child should be adjusted to the child's body, and check that the straps are not twisted.
10. Ensure that any lap straps are worn low down so that the pelvis is firmly engaged.

EST - 392 Car Seat

11. Do not use any load bearing contact points other than those described in the instructions and marked in the child restraint.
12. Any luggage or other objects liable to cause injuries in the event of a collision should be properly secured.
13. The rigid items and plastic parts of a child restraint must be located and installed so that they are not liable during everyday use of the vehicle by becoming trapped by a moveable seat or in a door of the vehicle.
14. To prevent accidents your child should always be fastened correctly into the child restraint.

EST - 392 Car Seat

15. It is dangerous to make any alteration or additions to the device without the approval of the competent authority. And it is dangerous to not closely follow the instructions provided by the child seat manufacturer.

16. This child seat is designed for children from birth up to 18kg. Never overload the child seat more than one child or with other loads.

17. The child restraint must not be used without the cover.

EST - 392 Car Seat

18. The seat cover should not be replaced with any other than the one recommended by the manufacturer, because the cover constitutes an integral part of the restraint performance.

19. Before you adjust any movable or adjustable parts of your child seat, you must remove your baby from the child seat.

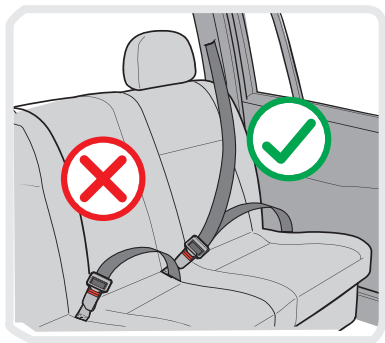
20. The child seat should be kept away from sunlight if the seat is not provided with a textile, otherwise it may be too hot for the child's skin.

21. Never use a second-hand product, as you can never be certain what has happened to it.

EST-392 Car Seat

Install position of the child seat in vehicle

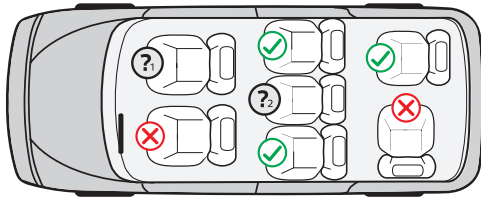
This child seat is suitable for conventional use on all cars equipped with 3 point seat belts that are fitted in accordance with European standard (ECE R16 or equivalent standard)



Important: The child seat must only be installed using a lap and diagonal seat belt.

EST-392 Car Seat

Install position of the child seat in vehicle



- ✓ Correct fitting/suitable
- ✗ Incorrect fitting/not suitable
- Ⓜ Not to be used on this seat if a passenger front airbag is active
- Ⓜ Only use on this seat if a lap and diagonal seat belt is fitted.

COZY  SAFE

EST-392 Car Seat

Checking the shoulder strap height

Always check that the shoulder straps are at the correct height for your child. The child's shoulder straps should always be thread through the slots in the cover and seat shell that are closest to the top of your child's shoulders.



NO-Too low



NO-Too high



YES- Correct

EST-392 Car Seat

USAGE OF BUCKLE

Firstly, adjust the shoulder straps height, then proceed as follows:

Step 1. Put the two metal sections of the buckle connector together.

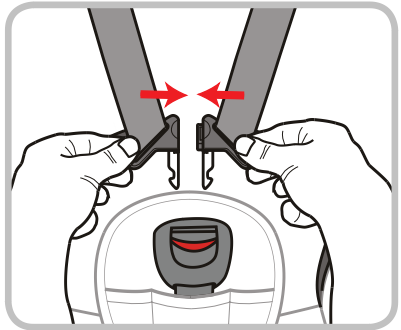


Fig. 1

EST-392 Car Seat

USAGE OF BUCKLE

Step 2. Slot the two buckle connectors into the slot in the buckle until they “click” place.

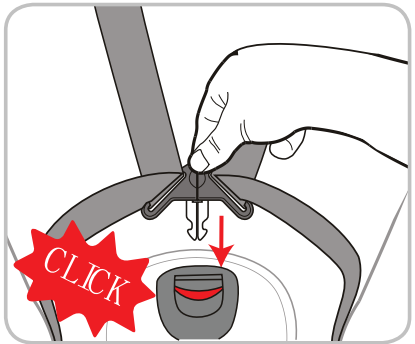


Fig. 2

EST-392 Car Seat

USAGE OF BUCKLE

Step 3. Check the harness is correctly locked by pulling the shoulder straps upward.

To release the harness, you can press the red button of the buckle downwards, the two metal sections will be released.

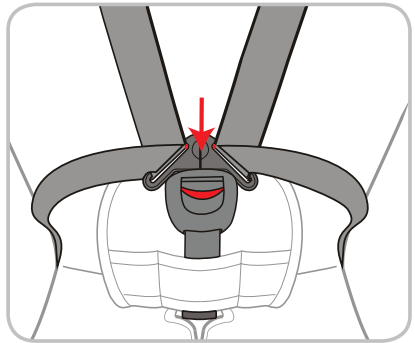


Fig. 3

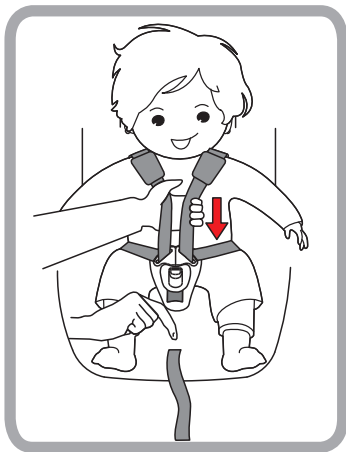
EST-392 Car Seat

ADJUST AND USE THE HARNESS

Loosen the harness

The harness is loosened by pressing the adjuster (under the adjuster cover) on the front of the seat.

Press down the adjuster as you grip the two shoulder straps with your other hand. Pull the shoulder straps towards you to loosen the harness.



EST-392 Car Seat

ADJUST AND USE THE HARNESS

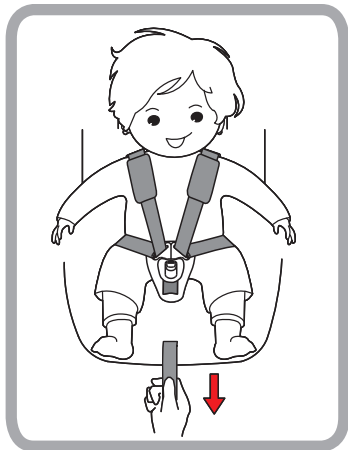
Tighten the harness

Pull the shoulder straps upwards to remove the slack from the lap sections of the harness then pull the adjuster strap until the harness is fully tightened.

The harness should be adjusted as tightly as possible without causing discomfort to your child.

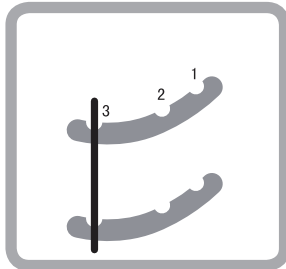
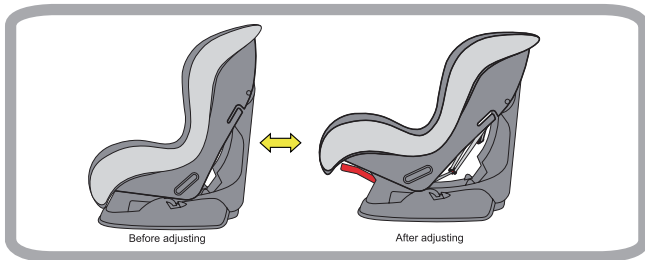
A loose harness can be dangerous.

Check the harness adjuster and tighten each time the child is placed in the seat.



EST-392 Car Seat

Adjust the child seat to different recline positions



COZY N SAFE

EST - 392 Car Seat

Adjust the child seat to different recline positions

Step 1: As shown in fig (page 24), adjusting the recline position of the child seat by pushing in or pulling out the positioning handle.

Step 2: As shown in fig (page 24), this child seat has three positions. When it is used for group 0+, please adjust it to position 3 and at the same time using the base support. When it is used for group 1, please choose the most appropriate position among the three recline positions.

EST-392 Car Seat

Adjust the shoulder strap height

If the height of your shoulder belt in child car seat is not suitable, adjust the height of the shoulder belt, please proceed as follows:

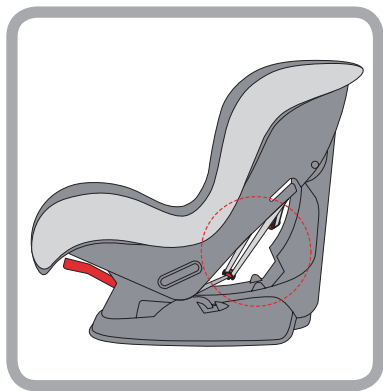
Step 1: Please adjust the child seat to position 3 as to make sure that there is enough space between the base and backrest.



EST-392 Car Seat

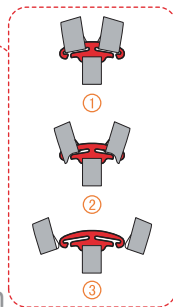
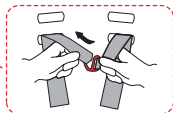
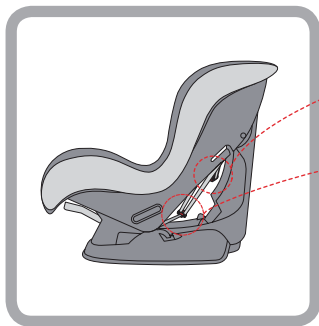
Adjust the shoulder strap height

Step 2: Turn the child seat to its side, then find the two shoulder straps between the base and the backrest.



EST-392 Car Seat

Adjust the shoulder strap height



Step 3: Loosen the shoulder harness, turn the child seat to the side. Slide the chest straps and shoulder straps off the harness connectors.

EST-392 Car Seat

Adjust the shoulder strap height

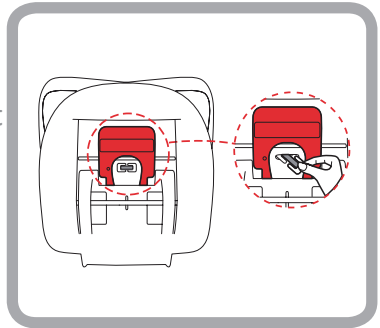
Step 4: Pull the straps through the shoulder strap slots from the front of the child seat. Now you can adjust the shoulder straps and the chest pads to the correct position.



EST-392 Car Seat

Remove the crotch pad and buckle

Adjust the child seat to position 3 and turn it to the bottom. Turn the harness locking clips on their narrowest end and thread them through the slots under the bottom of the child seat. So the crotch pad, the buckle and the harness straps can now be removed.



GROUP 0+

COZY  SAFE™

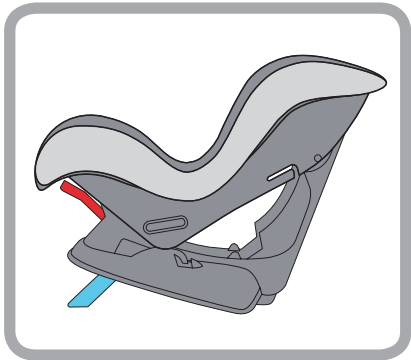
EST-392 Car Seat

Installation of the child seat

This child seat can be used with the harness for children less than 13kg in weight (Group 0+), installed rearward facing using a five-point seat belt.

IMPORTANT: Do not use forward-facing before the child's weight exceeds 9 kg.

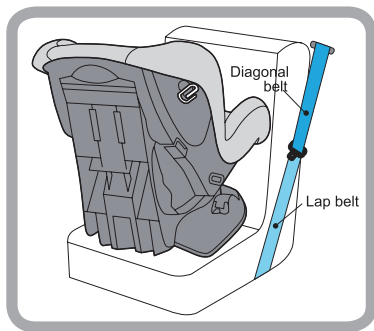
Step 1: Adjust the child seat to the position 3 and apply the base support.



EST-392 Car Seat

Installation of the child seat

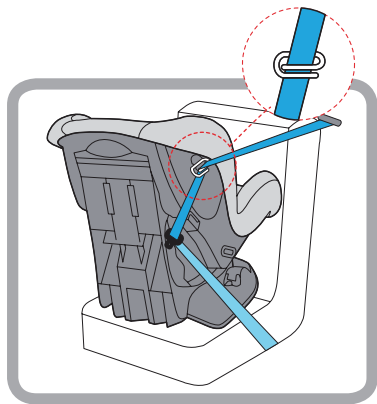
Step 2: Place the child seat on the car seat rearward-facing and make sure that the front of the child seat is firmly pressed against the car seat backrest.



EST-392 Car Seat

Installation of the child seat

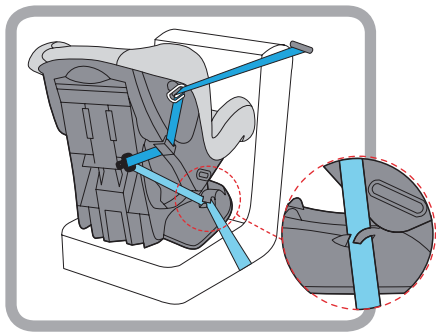
Step 3: Clip the diagonal belt into the same side belt guide hooks of the child seat. Thread the lap belt through the two belt guides of the child seat base. Make sure the tip of the belt guide hook points to the blue label.



EST-392 Car Seat

Installation of the child seat

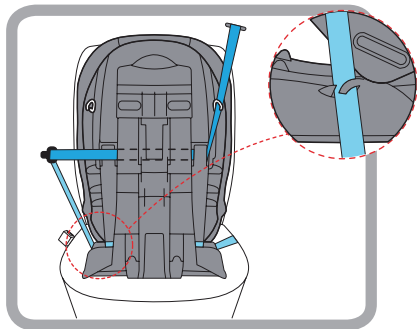
Step 4: Clip the lap belt into the same side belt guide hook of the child seat base. Thread the lap belt through the two belt guides of the child seat base.



EST-392 Car Seat

Installation of the child seat

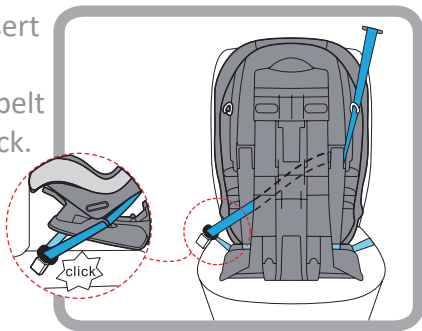
Step 5: Clip the lap belt in to the belt guide hook on other side of child seat.



EST-392 Car Seat

Installation of the child seat

Step 6: As shown in fig, insert the diagonal belt together with lap belt into car seat belt buckle, until you hear a click. Check the car seat belt buckle is correctly locked by pulling the seat belt upwards.



EST-392 Car Seat

Installation of the child seat

Step 7: Place your child into the child seat. Check that the height of the shoulder straps are in the most suitable position and fasten the buckle.

Check that the harness is not twisted and also check that the cover is not impeding the movement or fit of the harness in any way.



GROUP 1

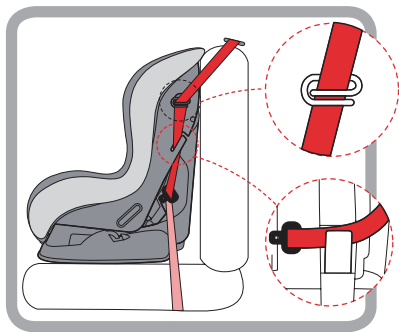
COZY  SAFE™

EST-392 Car Seat

Installation of the child seat

This child seat can be used with the harness for children 9kg to 18kg in weight (Group1), installed forward-facing using a five-point seat belt.

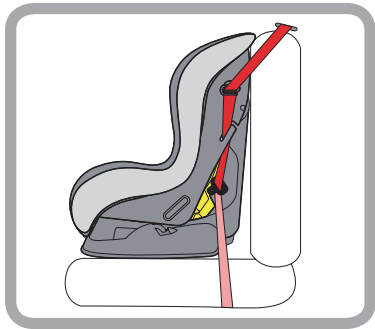
Step 1: Place the child seat on the car seat forward-facing and make sure that the backrest of the child seat is firmly pressed against the car seat backrest. Clip the diagonal belt into the belt guide hook on the same side of the child seat.



EST-392 Car Seat

Installation of the child seat

Step 2: Clip the lap belt into the belt guide hook on the other side of the child seat base.



EST-392 Car Seat

Installation of the child seat

Step 3: Insert the diagonal belt together with lap belt into car seat belt buckle, until you hear a click. Check that the car seat belt buckle is correctly locked by pulling the seat belt upwards.



EST-392 Car Seat

Installation of the child seat

Step 4: Place your child into the child seat. Check that the height of the shoulder straps are in the correct position and fasten the buckle.

Check that the harness has not become twisted and also check that the cover is not impeding the movement or fit of the harness in any way.



Maintenance and Cleaning

COZY  SAFE[®]

EST-392 Car Seat

Daily maintenance

1. The child seat should be replaced after an accident.
2. Please keep this child seat in a dry and ventilated place to avoid damp mold.
3. If the child seat becomes dusty, clean the seat belt and the plastic pieces by swiping them with a damp sponge and let it dry naturally.
4. If food or drink drop accidentally on the buckle, disassemble the seat belt from the child seat and rinse it

EST-392 Car Seat

gently with warm water. Let it dry naturally.

5. For cleaning the entire child seat fabric cover, please refer to the washing instruction.

Washing instruction

Never use any solvent, chemical detergent or lubricant on any part of your child seat.



Hand wash,
water
temperature
below 30°C



Do not bleach



Dryclean, any
solvent except
trichloroethylene



Do not tumble
dry



Do not iron

EST - 392 Car Seat

Remove and assemble the fabric cover

1. Remove the crotch pad and buckle of the child seat, then remove the shoulder straps and insert cushion.
2. Remove the fabric cover of the child seat. To install the fabric cover, please follow the above instructions in reverse order.

EST-392 Car Seat

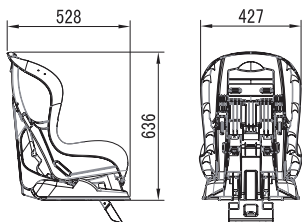
The main technical parameters

Length : 528mm

Width : 427mm

Height : 636mm

Weight : 6.74kg



Packing list

Name	Child seat	instruction manual
Quantity	1	1

CHILD INFORMATION
(KEEP WITH CAR SEAT AT ALL TIMES IN
CASE OF EMERGENCY)



NAME:

www.cozynsafe.com

DATE OF BIRTH(DD/MM/YYYY):

ADDRESS:

ALLERGIES/MEDICAL CONDITIONS:

EMERGENCY CONTACT 1:

NAME:

PHONE NUMBER:

EMERGENCY CONTACT 2:

NAME:

PHONE NUMBER:

Cozy N Safe
Oxford Street, Wolverhampton,
West Midlands, WV14 7DP, U.K.

Tel: +44 (0) 1902 494905

Fax: +44 (0) 1902 490211

Email: enq@cozynsafe.com