

COZY **N** SAFE<sup>®</sup>  
Without Compromise...

[www.cozynsafe.com](http://www.cozynsafe.com)

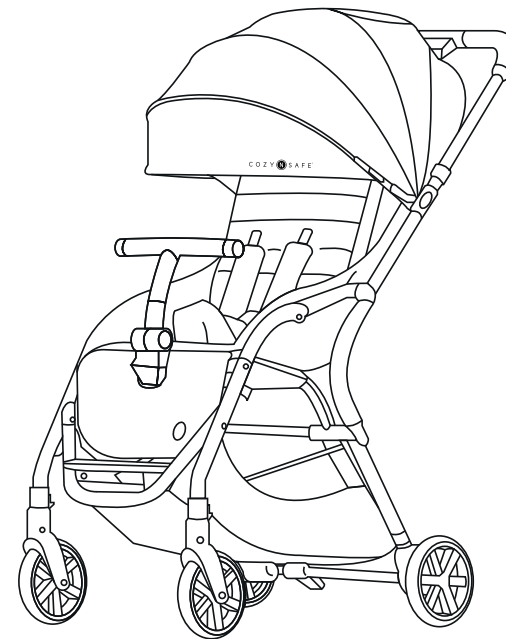
We'd love to see your pics!  
Share them using #imcozynsafe



Cozy N Safe  
Oxford Street, Wolverhampton, West Midlands, WV14 7DP, U.K.  
Tel: +44 (0) 1902 494905  
Fax: +44 (0) 1902 490211  
Email: [enq@cozynsafe.com](mailto:enq@cozynsafe.com)  
Website: [www.cozynsafe.com](http://www.cozynsafe.com)

COZY **N** SAFE<sup>®</sup>  
Without Compromise...

i-METRO



Instruction Manual

EST100

Please read the instructions carefully before use and keep for future reference. Your child's safety may be affected if you do not follow these instructions.

## WARNING

- Never leave your child unattended.
- Please always make sure that the stroller is fully open before putting your child in the stroller.
- Please do not put more than one child in the stroller.
- Ensure that all the locking devices are engaged before use.
- To avoid injury, ensure that your child is kept away when unfolding and folding this product.
- Do not let your child play with this product.
- Always use the restraint system.
- This product is not suitable for running or skating.
- Use a harness as soon as your child can sit unaided.
- This product is only suitable for child from 0 month up to 4 years.
- It is recommended that the most reclined position be used for newborn babies up to maximum weight of 5kg.
- To avoid the risk of suffocation, keep all plastic bags and packaging out of reach of children.

- Check that the pram body or seat unit or car seat attachment devices are correctly engaged before use.
- No additional mattress shall be added.
- The brake shall be engaged when placing and removing the children.
- Any load attached to the handlebar or on the backrest or on the sides of the stroller will affect the stability of the stroller
- This product is only suitable for one child.
- Only use the accessories or spare parts sold or approved by the manufacturer, using other accessories could be dangerous and could cause harm to you and your child.
- Do not carry more than 4kg in the basket or 1kg in any pocket. (If supplied)
- Never use the stroller near an open fire.
- Only use the accessories or spare parts sold or approved by the manufacturer, using other accessories could be dangerous and could cause harm to you or your child.
- Always hold the pushchair on a sloping surface, even when the brake is engaged.

## Maintenance

Clean the fabric with luke warm water and non abrasive soap.  
Rinse with fresh water and leave to dry.  
Never use bleach or other chemical detergents.

Periodically (approximately once a month) treat the wheels and metal parts with Teflon or silicon spray to ensure the stroller continues to run smoothly.

Check the screws, small parts and the stitching to avoid danger or any breakages, replace the broken parts in time when necessary.

## Warranty

The 12-month warranty period commences on the day of purchase.  
The warranty covers manufacturing faults, but not the exchange or return of the product.

The warranty is only valid if you supply the following items:

- 1) Proof of purchase
- 2) A detailed description of the defect.

The warranty is not valid in the following cases:

The products is returned without the original receipt of purchase.

The defects and/or damage are caused by improper use and/or by modifications made by the customer.

The discolouration/stains were caused by washing, rain or sun.

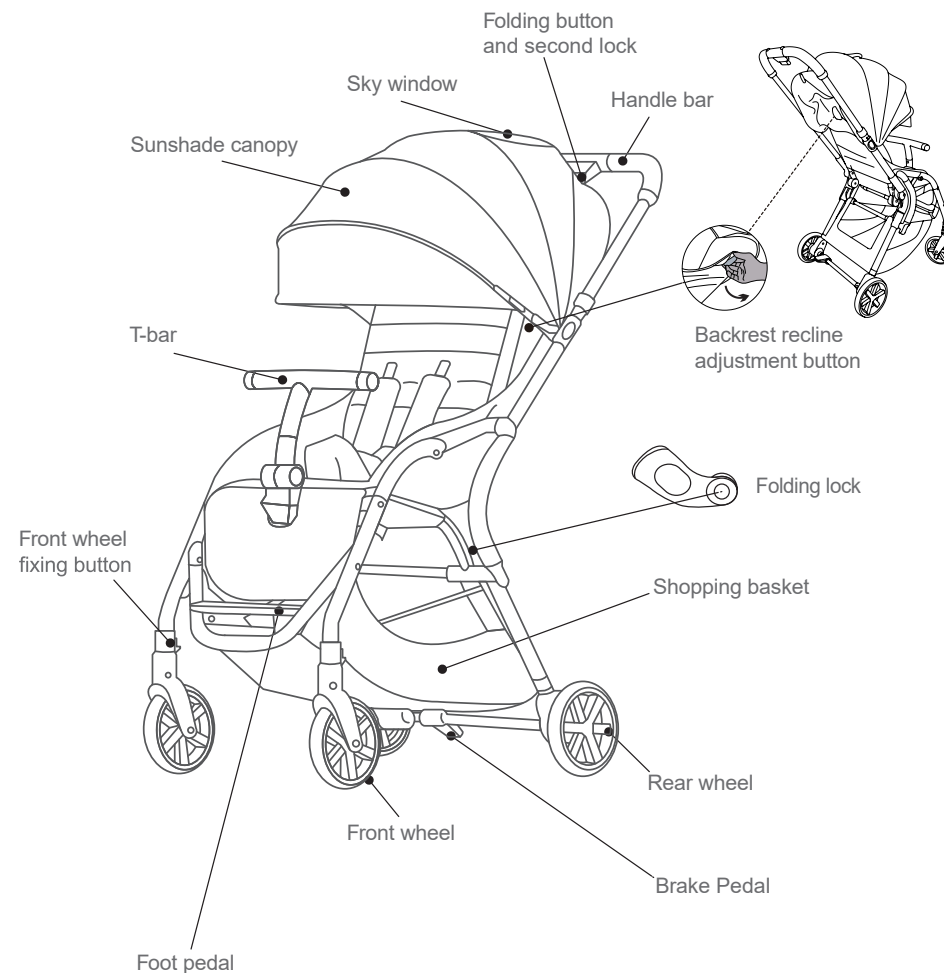
The wear and tear is a result of normal usage.

Any repairs do not extend the warranty period.

Full warranty Terms & Conditions can be found on [www.cozynsafe.com](http://www.cozynsafe.com)

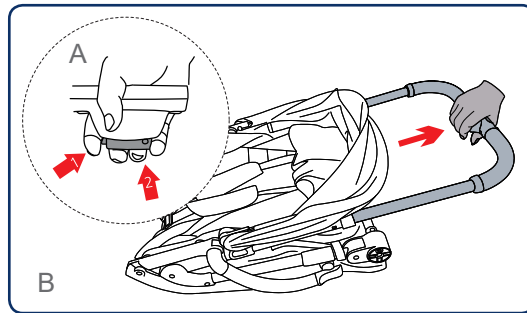
The Cozy N Safe i-Metro meets the highest safety standards: Europe: EN1888-1/2:2018

## Get to know the i-Metro



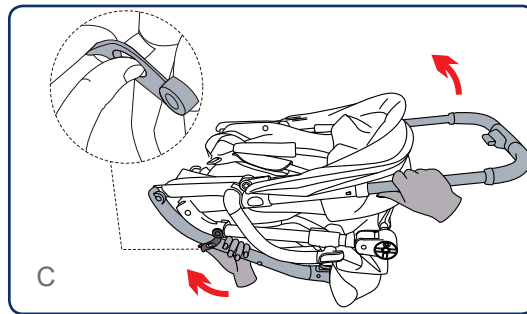
# Assembling the stroller

A. Fully extend the handle by pushing the second lock in (arrow 1) and squeezing the folding button simultaneously (arrow 2). (Pic. A)

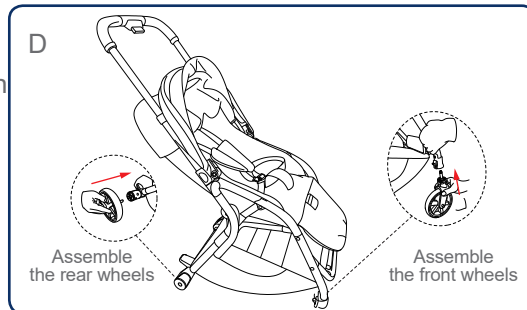


B. Follow the red arrow to pull out the handle bar fully. You will hear a 'click' when the handle has locked in to place.

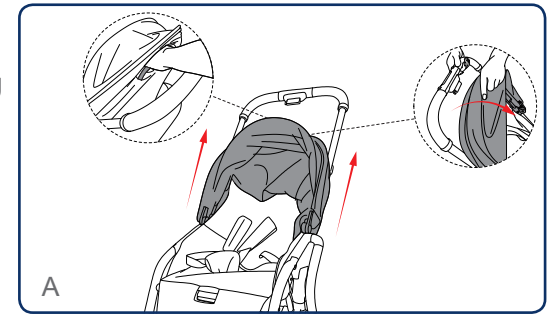
C. Release the folding lock and follow the red arrows in the image to open the stroller fully. You will hear a 'click' when the stroller has fully unfolded. Be careful not to trap your fingers when unfolding!



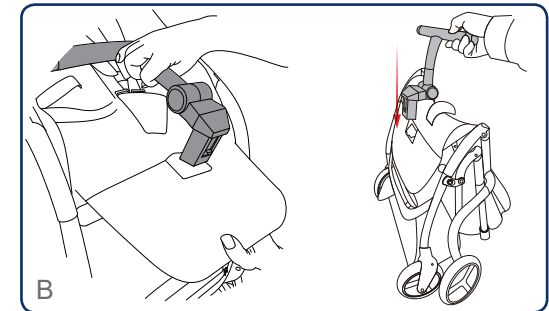
D. As shown in pic.D, please insert the axle of the wheels into the holes in the chassis in the direction of the arrow, you will hear a 'click' when it is installed correctly. (The wheels are NOT handed. Any wheel can be installed either on the left or right side.) Align the flat side of rear wheel axle with the flat side of the holes on the chassis.



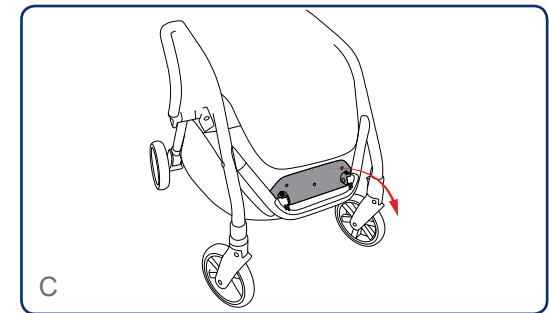
A. Locate the canopy height adjustment bar and pull the canopy up. Then unfold the canopy by pulling the front of the canopy towards the front of the stroller.



B. Insert the T bar in to the correct slot located at the very front of the seat. You will hear a 'click' when it is locked in. (It may be easier to install the T bar when the stroller is folded.)



C. Open the foot pedal by folding it down as per pic C.



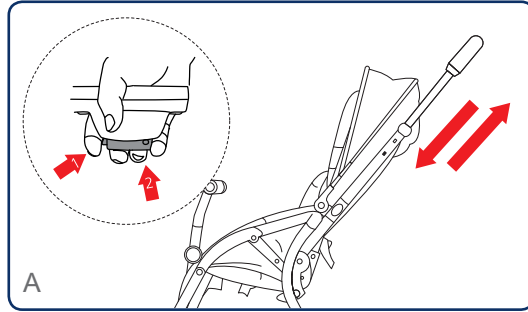
D. Your Stroller is now fully assembled.



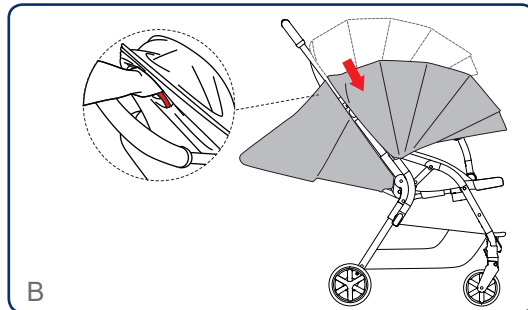
## How to use the stroller

A. Higher or lower the handle by pushing the second lock in (arrow 1) and squeezing the folding button simultaneously (arrow 2). (Pic. A)

NOTE: There are 2 handle height positions when the stroller is in use, the lowest height is used when the stroller is folded.

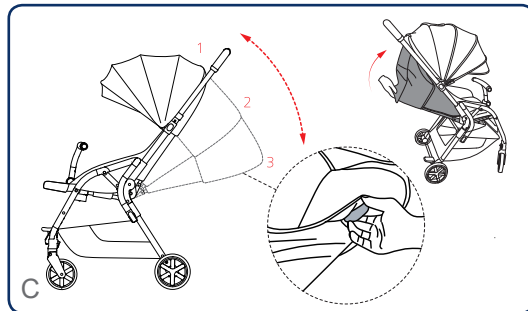


B. Locate the canopy height adjustment bar and pull the canopy up to raise the height. To lower the height push down on the bar.

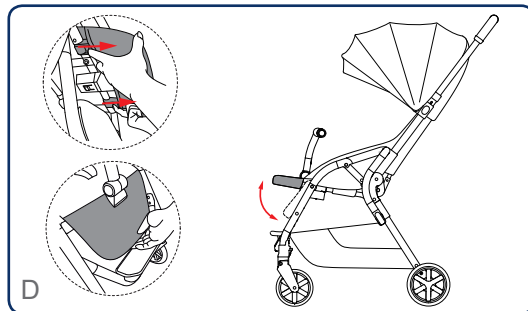


C. Pull up on the backrest recline adjustment button to release the backrest. There are 3 recline positions.

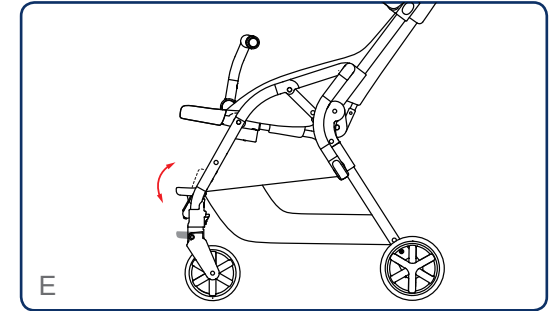
Note: You may need to raise the canopy before adjusting the backrest recline angle.



D. Adjust the lower leg cushion position by locating the release buttons under the cushion. Pull them in the direction of the arrows. You can then lift and lower the cushion.



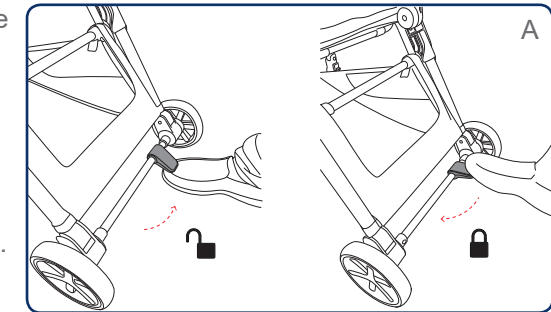
E. The foot pedal will adjust freely when pressed.



## Brake operation

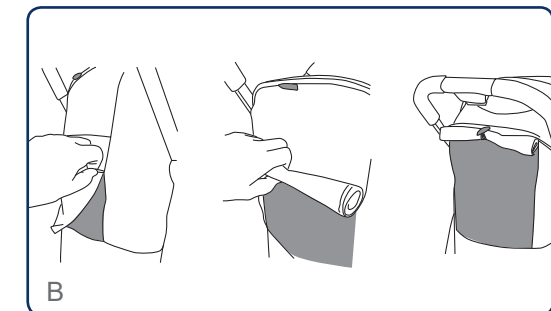
A. Pull up on the pedal to release the brake. Press down on the pedal to apply the brake. The pedal is located on the rear axle.

Note: The brake will not release if you are pushing or pulling the stroller when releasing the pedal.



## Sunshade ventilation window

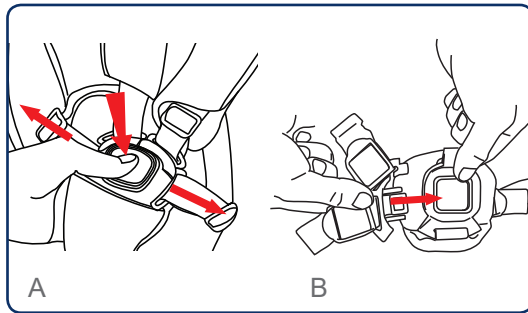
A. Recline the back rest to the lowest position. Unzip the two zips and roll up the flap. Then using the tag secure the flap at the top. You can then re-adjust the backrest recline.



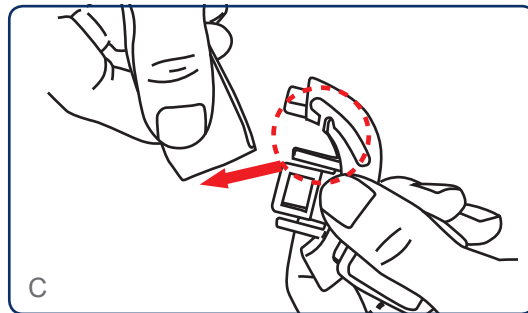
## Harness operating instructions

A. To release the buckle press the middle button down and both left and right clips will pop out.

B. To secure the harness push the left and right clips in to the centre buckle until you hear a 'click'.



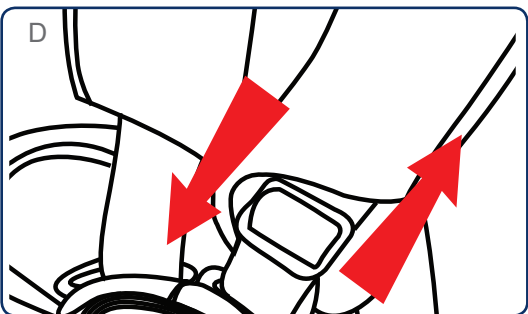
C. To readjust the shoulder harness height unbuckle the harness and remove the shoulder strap from the buckle as shown in pic C.



Remove the chest pads by separating the velcro on the chest pad from the strap and slide the pad down the strap.

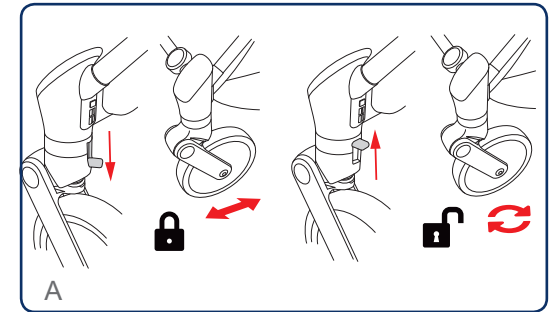
The shoulder straps can be threaded through the back of the seat and re-thread through one of the 4 height options. Reattach the chest pad and buckle.

D. To adjust the length of the harness find the adjuster on each strap and slide it up and down to extend or shorten the harness.



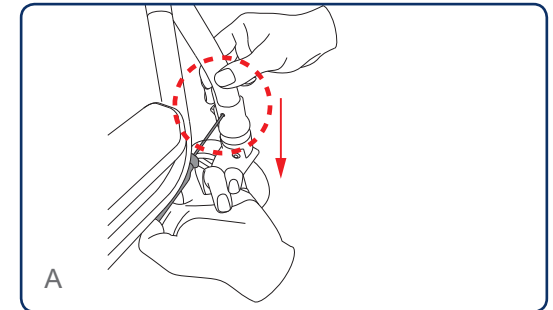
## Front wheel rotation locking device

A. You can lock the front wheels into a forward facing position by engaging the swerve lock button. Align the button and the groove as per pic.A. and push downwards on the button. To release push up on the button.

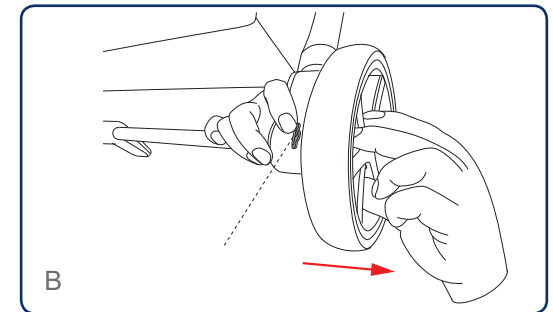


## Removing the wheels

A. Locate the hole on the inside of the front legs of the chassis. Using a tool (such as a screwdriver) push the release and pull the wheel downwards.

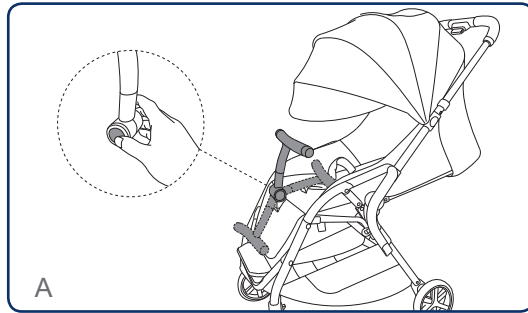


B. Locate the metal release button located on the rear axle. Press the release button and pull the rear wheel away from the stroller.



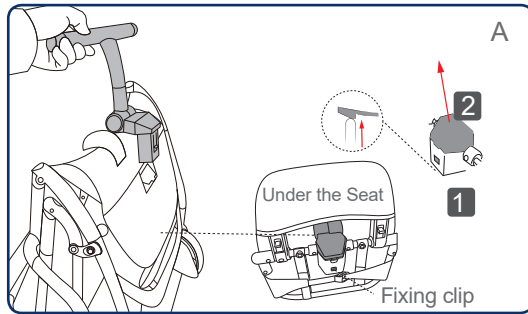
## Operating the T bar

A. Press the button on the side of the T bar base to release the bar. To lock it back into position move (as per Pic.A) the T bar until it locks in to place. You will hear a 'click' when the T bar is in place. Ensure the T bar is locked when using the stroller.



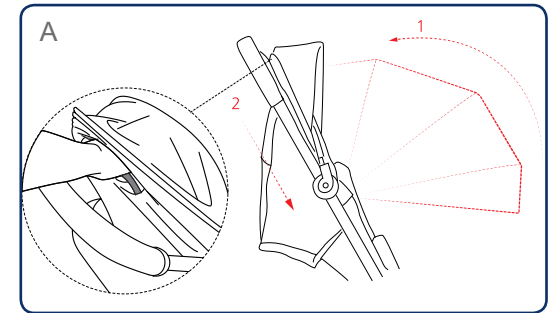
## Removing the T bar

A. It may be easier to remove the T bar if the stroller is folded. Locate the release button under the lower leg cushion. Press the release clip while pulling on the T bar away from the stroller.

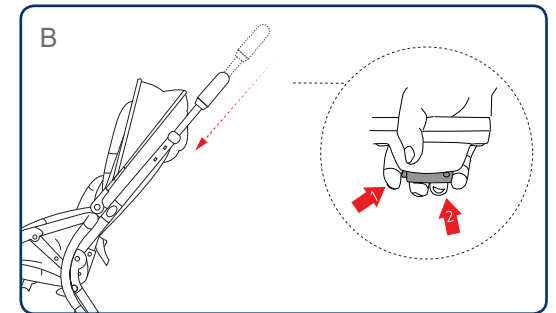


## Folding the stroller

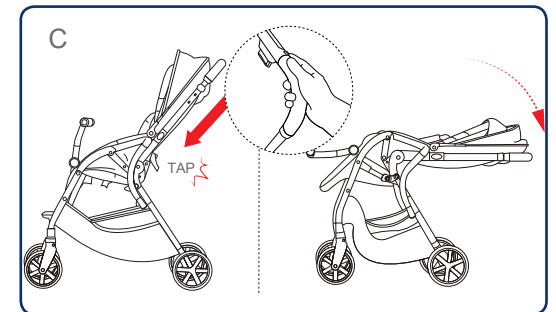
A. Fold the canopy away and push the canopy down to the lowest position.



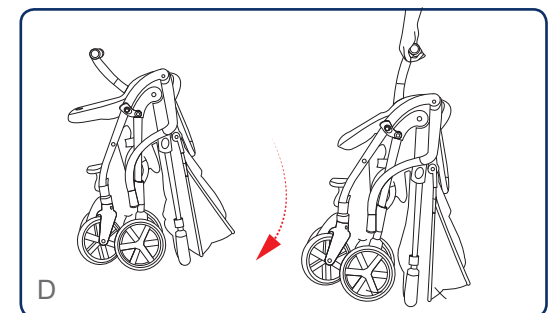
B. Push the second lock on the handle and squeeze the folding button simultaneously and continue to hold.



C. To fold the stroller push down on the handle with a little force. This will trigger the tap to fold operation.

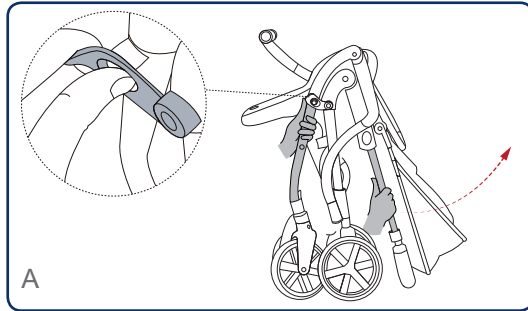


D. Continue to fold the stroller until the folding lock engages. Release the T bar to use as a handle.

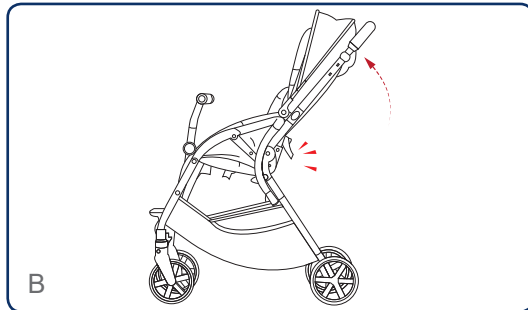


## Unfolding the stroller

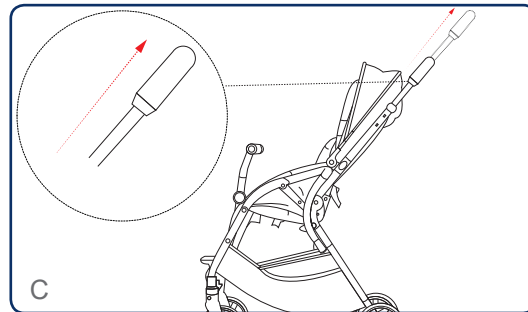
A. Pull the folding lock tab to release the stroller and unfold the stroller following the arrow in Pic.A.



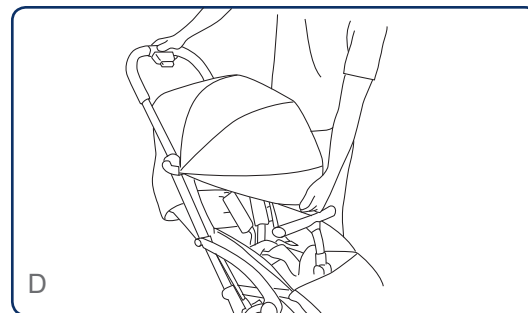
B. Continue to unfold the stroller until it locks in to position. You will hear a 'click' when the stroller is locked.



C. Push the second lock on the handle and squeeze the folding button simultaneously. Pull up on the handle to extend it to the correct height for you.

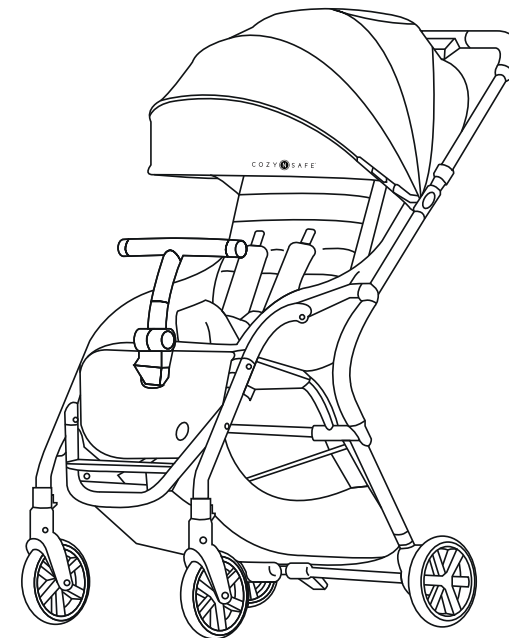


D. Raise the canopy and unfold if required.



COZY **N** SAFE<sup>®</sup>  
Without Compromise...

i-METRO



We'd love to see your pics!  
Share them using #imcozynsafe

