

CHILD INFORMATION
(KEEP WITH CAR SEAT AT ALL TIMES IN CASE OF EMERGENCY)

NAME:
.....

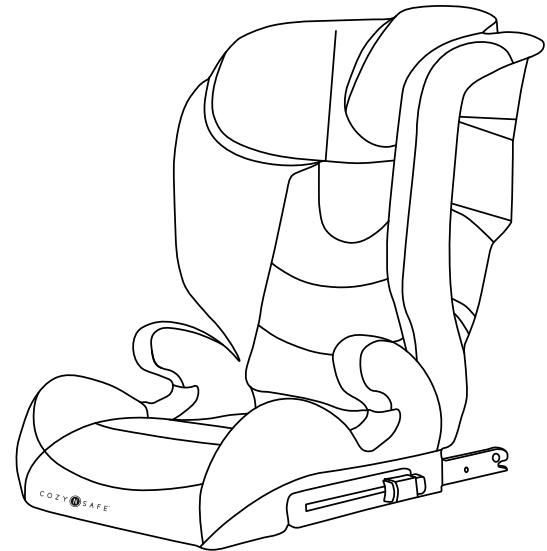
DATE OF BIRTH (DD/MM/YYYY):
.....

ADDRESS:
.....
.....
.....

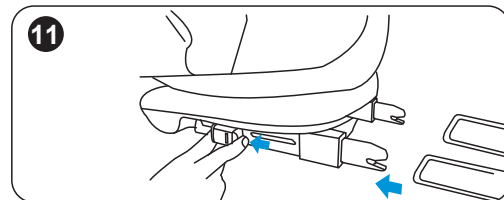
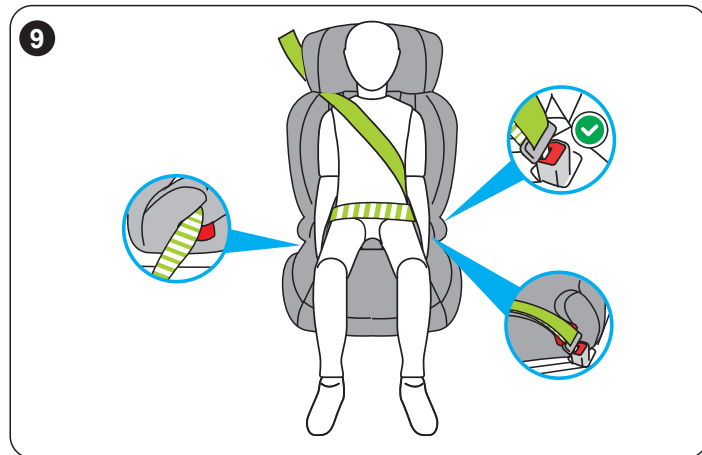
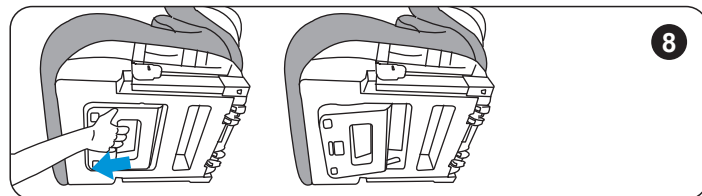
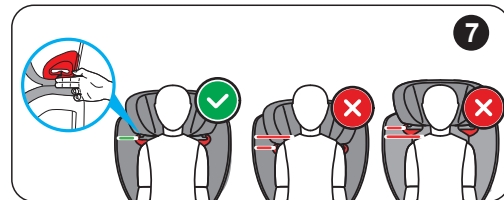
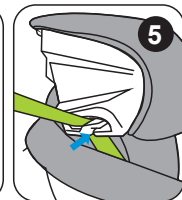
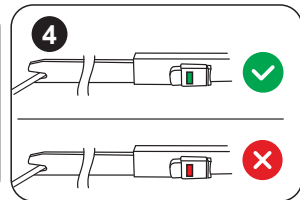
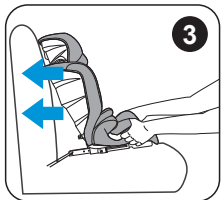
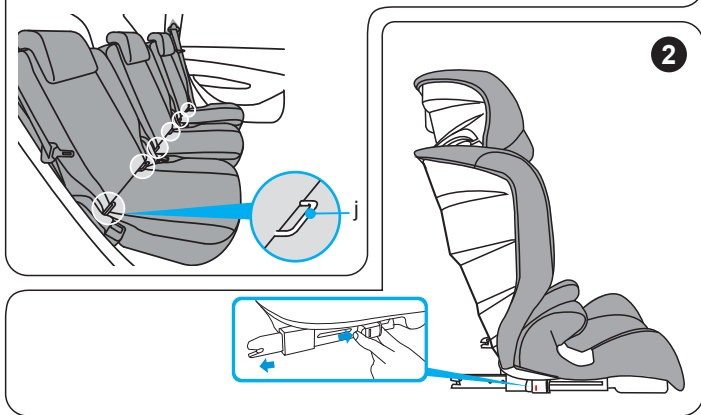
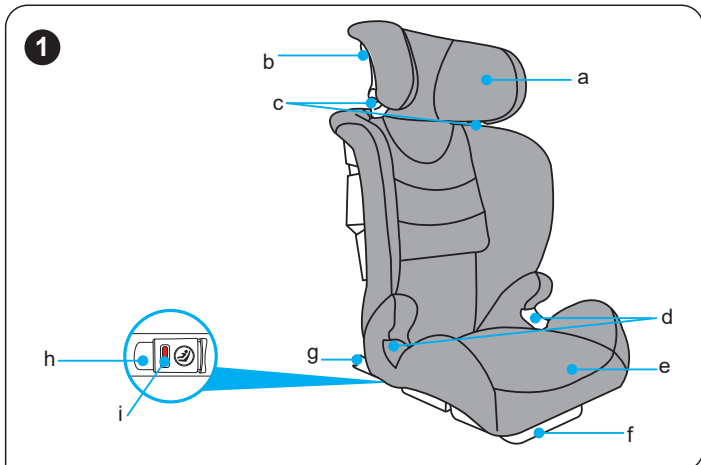
ALLERGIES/MEDICAL CONDITIONS:
.....
.....
.....
.....

EMERGENCY CONTACT 1: NAME: PHONE NUMBER:
--

EMERGENCY CONTACT 2: NAME: PHONE NUMBER:
--



APACHE i-Size
 i-Size
Instruction Manual



It is important that you read this user manual BEFORE installing your seat. Incorrect installation could endanger your child.

Notice

This is an i-Size booster seat Enhanced Child Restraint System. It is approved according to UN Regulation No. 129, for use primarily in " i-Size seating positions" as indicated by vehicle manufacturers in the vehicle user's manual. If in doubt, consult either the Enhanced Child Restraint System manufacturer or the retailer.

Warning

For the suitable positions in the car, read the vehicle handbook. The rigid items and plastic parts of the car seat shall be so located and installed that they are not liable, during everyday use of the vehicle, to become trapped by a movable seat or in a door of the vehicle.

"IMPORTANT - DO NOT USE FORWARD FACING BEFORE THE CHILD'S AGE EXCEEDS 15 MONTHS

Any straps holding the restraint to the vehicle should be tight, any straps restraining the child should be adjusted to the child's body, and the straps should not be twisted.

Ensure that any lap strap is worn low down, so that the pelvis is firmly engaged.

The device should be replaced when it has been subject to violent stresses in an accident.

It is dangerous to make any alterations or additions to the device without the approval of the Type Approval Authority, it is also dangerous not following closely the installation instructions provided by the car seat manufacturer.

The child car seat should be kept away from sunlight if the seat is not provided with a sun cover, otherwise it may be too hot for the child's skin.

Children should not be left in their child restraint unattended.

Any luggage or other objects liable to cause injuries in the event of a collision should be properly secured.

The child restraint should not be used without the cover.

The child restraint cover should not be replaced with any covers other than the one recommended by the manufacturer, because the cover constitutes as an integral part of the restraint performance.

When used for stature heights between 135 to 150cm this seat might not fit in all vehicles.

The instructions should be retained for future use.

• Components (fig.1)

- a. Adjustable headrest
- b. Headrest adjuster
- c. Shoulderbelt guide
- d. Lapbelt guide
- e. Base
- f. Reclining handle
- g. ISOFIX Attachments
- h. ISOFIX release buttons
- i. ISOFIX indicators
- j. ISOFIX vehicle anchorage

Installation

When installing the seat in the front vehicle seat make sure the backrest of the vehicle seat is in an upright position.

Use ISOFIX+Belt

1. Position the seat inside the vehicle. Squeeze and pull the ISOFIX release buttons to release the ISOFIX attachments. (fig.2) The ISOFIX attachments lock only in the position when it is totally extended.
2. Click the ISOFIX attachments to the ISOFIX anchorage points in the vehicle seat (fig.3). Make sure that all ISOFIX indicators are GREEN. (fig.4) Push the seat as far as possible towards the backrest of the vehicle seat.
3. Slide the shoulder belt in the shoulder belt guide. (fig.5) Make sure the belt is not twisted.

Use Belt Only

1. If the seat cannot be used in combination with ISOFIX anchorage points in the vehicle seat, the ISOFIX attachments can be stowed inside the seat and the seat can be used with the 3-point belt only.
2. Position the seat inside the vehicle. Slide the shoulder belt in the shoulder belt guide. (fig.5) Make sure the belt is not twisted.

Positioning of the child

1. Adjust the headrest to the correct height by squeezing the headrest adjuster. (fig.6) The headrest must be adjusted so that there is a two fingers width space between the headrest and your child's shoulders. (fig.7)
2. The seat can be positioned in 2 recline positions by sliding out the reclining handle at the bottom of the base. Position the seat in the correct position before securing the child with the vehicle belt. (fig.8)
3. Position the vehicle belt in front of the child and lock the belt into the buckle of the vehicle. (fig.9)
4. ALWAYS ensure the 3-point belt goes UNDER the child restraint armrests. (fig.9)

Removing the seat

1. Remove the shoulder belt out of the shoulder belt (fig.10)
2. Squeeze the ISOFIX release button to release and pull back the ISOFIX attachments. (fig.11)
3. Remove the seat from the vehicle.

Removing and refitting the cover

- Do take care when you remove the cover, re-fitting the cover is the reverse of the below process.
- Start to take off the backrest part first and re-fit the backrest part as the last part.
- For washing instructions, see the washcare label on the inside of the fabric cover.

Guarantee

The 24-month warranty period commences on the day of purchase. The warranty covers manufacturing faults, but not the exchange or return of the product.

The warranty is only valid if you supply the following items:

- 1) Proof of purchase
- 2) A detailed description of the defect.

The warranty is not valid in the following cases:

The products is returned without the original receipt of purchase. The defects and/or damage are caused by improper use and/or by modifications made by the customer. The discolouration/stains were caused by washing, rain or sun. The wear and tear is a result of normal usage. Any repairs do not extend the warranty period.

Full warranty Terms & Conditions can be found on www.cozynsafe.com