

- Do not let cord hang over edge of table or counter, or touch hot surfaces.
- Do not operate any appliance with a damaged cord or plug or after the appliance malfunctions or has been damaged in any manner. Return appliance to the nearest authorized service facility for examination, repair or adjustment.
- Do not tamper with warmer in any way.
- Close supervision is necessary when appliance near children.
- Unplug wall outlet when not in constant use and before cleaning. Allow to cool before putting on or taking off parts.
- Do not place on or near a hot gas or electric burner, or in a heated oven.
- The use of accessory attachments is not recommended by the appliance manufacturer and may cause injuries.
- Household use only, do not use outdoors.
- Do not cover with blankets or any type of insulating material.
- Product should be used for intended purpose only – to warm wipes. Do not use unit to warm any other objects
- Save these instructions.

**Important:**

- Only use water when refilling the water reservoir. Do not use other liquids such as alcohol, liquid fragrance, and/or bleach. For optimal product life, distilled or filtered water is recommended.
- Do not use in an oxygen enriched environment or near equipment that stores or emits oxygen.
- Because of the continuous low levels of heat and moisture associated with the warmer, unit must be placed on a compatible surface (wood and painted surfaces are not recommended). Munchkin makes no warranty that surface discoloration or damage may not occur due to heat or moisture.
- This product is not intended for use by children and persons with limited physical or mental capabilities unless they have been instructed or supervised on the proper use of this product by a person responsible for their safety.

**Limited Product Warranty:**

Munchkin's Mist™ Wipe Warmer includes a one-year limited warranty against defects from the date of purchase. In the event of a malfunction or defect during the in-warranty period, Munchkin, Inc., at its option, will replace or repair the product under warranty. Upon receipt of the product and the proof of purchase with a valid date of purchase, the defective part will be immediately repaired or replaced and returned to you free of charge (USA only). Please send defective unit, proof of purchase with the original store receipt, and a description of the problem you have encountered to:  
Munchkin, Inc.  
7835 Gloria Avenue, Van Nuys, CA 91406, USA  
Attn: Mist™ Wipe Warmer Warranty  
Note: This warranty does not cover a defect that has been caused by negligence, accident, or improper use of the product.

The device complies with part 15 of the FCC Rules. Operation is subject to the following two conditions: (1) This device may not cause harmful interference, and (2) This device must accept any interference received, including interference that may cause undesired operation.

**Warning:** Changes or modifications not expressly approved by the party responsible for compliance could void the user's authority to operate the equipment.

**Note:** This equipment has been tested and found to comply with the limits for a Class B digital device, pursuant to part 15 of the FCC rules. These limits are designed to provide reasonable protection against harmful interference in a residential installation. This equipment generates, uses and can radiate radio frequency energy and if not installed and used in accordance with the instructions, may cause harmful interference to radio communications. However, there is no guarantee that interference will not occur in a particular installation. If this equipment does cause harmful interference to radio or television reception, which can be determined by turning the equipment off and on, the user is encouraged to try to correct the interference by one or more of the following measures:

- Reorient or relocate the receiving antenna.
- Increase the separation between the equipment and receiver.
- Connect the equipment into an outlet on a circuit different from that to which the receiver is connected.
- Consult Munchkin, Inc. or a qualified technician for help.

CAN ICES-3(B)/NMB-3(B)



PRODUCT AND DESIGN ARE TM & ©2014 MUNCHKIN, INC. MUNCHKIN, MIST, NO MORE DRY WIPES AND AND IT'S THE LITTLE THINGS ARE TRADEMARKS OR REGISTERED TRADEMARKS OF MUNCHKIN, INC. 7835 GLORIA AVE., VAN NUYS, CA 91406. MUNCHKIN BABY CANADA LTD., 50 PRECIDIO CT., UNIT A, BRAMPTON, ON L6S 6E3. PATENT: HTTP://WWW.MUNCHKIN.COM/PATENTS. MADE IN CHINA/FABRIQUÉ EN CHINE.

# munchkin

## Mist™ Wipe Warmer Instructions



MKCA0431

**IMPORTANT:**

Read all instructions carefully before using Mist™ Wipe Warmer. To reduce risk of burns, electrical shock, fire and accident, use Mist™ Wipe Warmer only in accordance with the following instructions.

**WARNING: STRANGULATION HAZARD!** - Keep out of reach of children. Do not use with extension cords. This is not a toy. Adult use only.

CCD-0135-000 REV2

**Parts included:**

1. Wipes lid
2. Wipe opening
3. Extra mist button
4. Latch release
5. Water reservoir
6. Main lid



**Assembly Instructions:**

- Remove water reservoir packed on top from wipe warmer package (Fig. 1).
- Place Mist™ Wipe Warmer on a flat, stable and suitable surface.
- Fill water reservoir (see instructions below).\*
- Lift main lid and slide water reservoir into housing (Fig. 2).
- Load wipes (see instructions below).
- Close main lid securely

**Use Instructions:**

**To Fill Water Reservoir:**

- Remove reservoir lid and fill reservoir with water to marked fill line (Fig. 3). One full water fill should last through wipe holder capacity (100 wipes).\*
- Put reservoir back in place and ready spray pump for use by pressing until water is released.
- Place filled water reservoir back into housing (Fig. 2).

**To Load and Use Wipes:**

- Remove baby wipes from their original package, and insert into warmer. Press latch release to open smaller wipes lid and pull top wipe up through the opening (Fig. 4). Close both lids securely. Do not over-fill with wipes. Both lids should be able to completely close. Please note if using cloth or reusable wipes, you must open the main lid each time a wipe is needed.
- Upon closing main lid securely, water will be released directly onto wipes from auto-mist mechanism connected to water reservoir. Wipes are automatically moistened each time main lid or wipes lid is closed.

Fig. 1

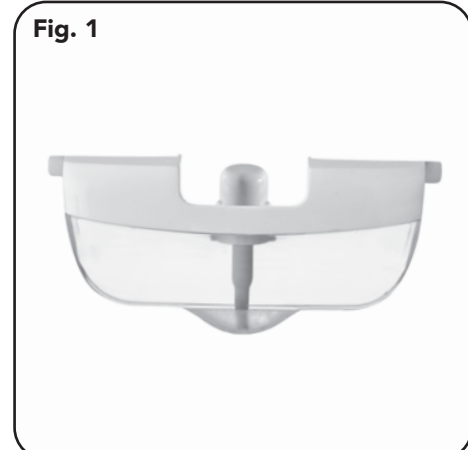


Fig. 2



- For extra misting, open wipes lid and press button located above release latch. Press button as many times as desired for additional moisture release (Fig. 5).

**To Warm Wipes:**

- Plug transformer into a standard household 110-120 volt AC outlet. Do not plug into a 220 volt AC outlet. The power indicator will be on when functioning properly and the unit will begin warming.
- Use only with a Class 2 Adapter.
- Unit is intended to keep wipes warm for comfortable diaper changes. Wipes are not intended to reach a "HOT" temperature.
- Use all baby wipes in accordance with specific manufacturer's directions.
- To preserve wipes and energy, unplug unit during prolonged periods of non-use.

**Cleaning and Care:**

- Always unplug unit from power source and ensure that it is cool before cleaning.
- Remove wipes and wipe unit with a non-abrasive cloth.
- In rare case, wipes may become discolored due to prolonged exposure to heat.
- Remember to unplug your wipe warmer if not planning to use for prolonged periods of time.
- Do not immerse unit in water.
- To prevent mold growth, always drain water in unit when not in use and allow fresh air to circulate inside of unit until completely dry.

**To De-Scale:**

- It is helpful to de-scale your Mist™ Wipe Warmer every four weeks to ensure that it continues to work properly.
- Do not start unit when de-scaling.
- To de-scale, mix 1.75oz. (50ml) of white vinegar with 1.75oz. (50ml) of cold water and pour into the water reservoir. Avoid contact with eyes as this may cause irritation. Allow liquid to stand in the unit until any deposits (limescale) have dissolved. Discard liquid and rinse with clear water. Wipe with a non-abrasive cloth thoroughly. Any other servicing should be performed by an authorized service representative.

**Caution-electrically operated product:**

- Read all instructions.
- Do not touch hot surfaces.
- To protect against electrical shock do not immerse cord, plug or warmer in water or any other liquid.
- Do not use the power supply cord as a handle. Never pull on the supply cord.
- Arrange power cord to minimize the possibility of accidents.

Fig. 3

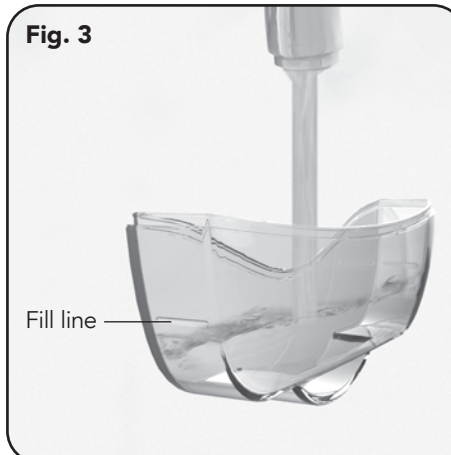


Fig. 4

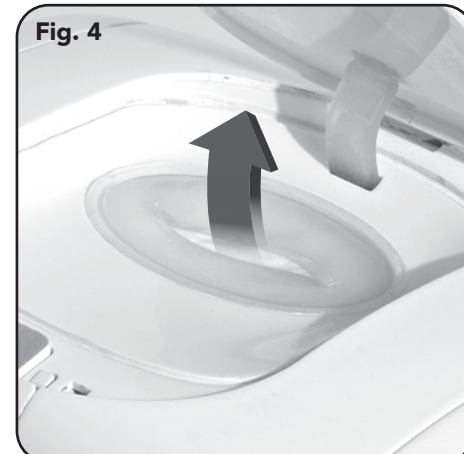


Fig. 5



\* For optimal product life, distilled or filtered water is recommended.