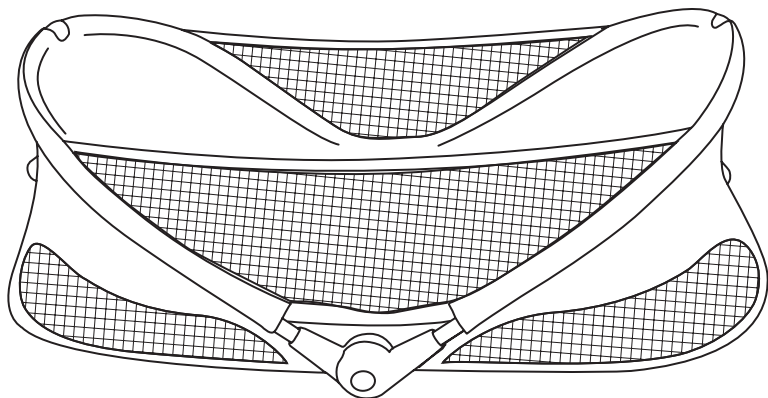








**Fold 'n Go™**  
Baby Travel Pod



**15 lbs MAX.**  
**6.8 kg MÁX.**

KEEP FOR FUTURE REFERENCE

Adult assembly required.

 <b>IMPORTANT SAFEGUARDS</b>	
Important Safeguards.....	3
 <b>INCLUDED PARTS</b>	
Included Parts.....	4
 <b>HOW TO USE</b>	
Directions to Open.....	5
Directions to Close.....	6
How to Clean.....	7
Important Note.....	7
 <b>CUSTOMER SERVICE</b>	
Contact Us .....	7

# IMPORTANT SAFEGUARDS

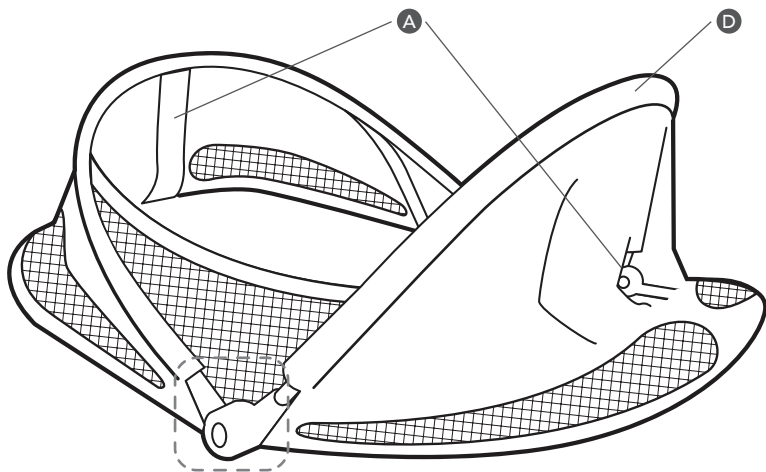
## **WARNING: FALL HAZARD**

To help prevent falls, do not use this product when the infant begins to push up on hands and knees or has reached 15 lbs. (6.8 kg.), whichever comes first.

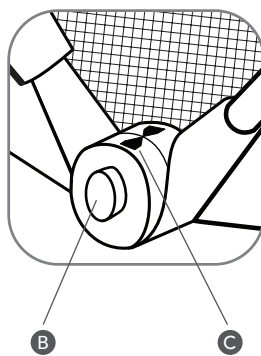
## **WARNING:** **SUFFOCATION HAZARD** **INFANTS HAVE SUFFOCATED:**

- In gaps between extra padding and side of the cradle, and on soft bedding.
- Use only the pad provided by manufacturer.
- If a sheet is used with pad, use only the one provided by the manufacturer or one specially designed to fit the dimension of the pad.
- Prevent possible strangulation or entanglement, never use sheet unless it fits securely on pad.
- Strings can cause strangulation! Do not place items with string around a child's neck, such as hood strings or pacifier cords. Do not suspend strings over the pad or attach strings to toys.

## INCLUDED PARTS

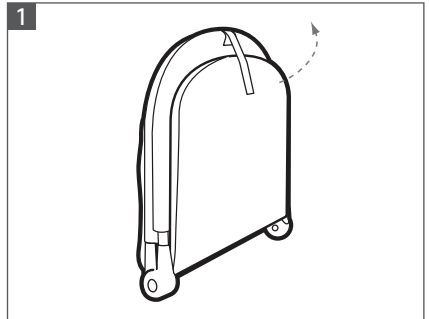


- A** End Support / hinge
- B** Side Button / hinge
- C** Lock Indicator Arrows
- D** Metal Support Tubes

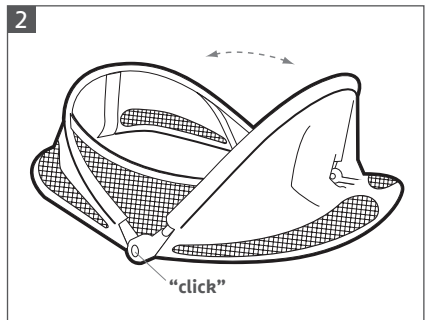


## DIRECTIONS TO OPEN

1. Unfasten closure strap. **(fig. 1)**

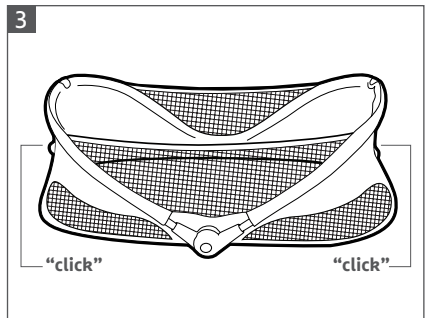


2. Open Travel Pod until lock indicator arrows are aligned on both side hinges and an audible click is heard from each side hinge. **(fig. 2)**



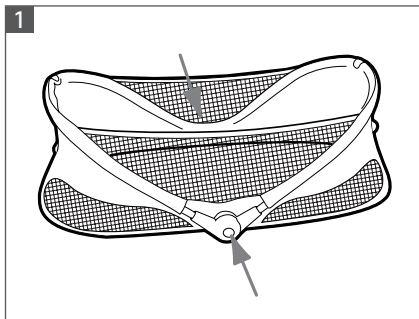
3. Straighten end supports until lock indicator arrows are aligned on both end support hinges and an audible click is heard from each end support hinge. **(fig. 3)**

The Travel Pod is now fully open and locked. Attach pad to Travel Pod with hook and loop fasteners facing down. Make sure pad is centered.

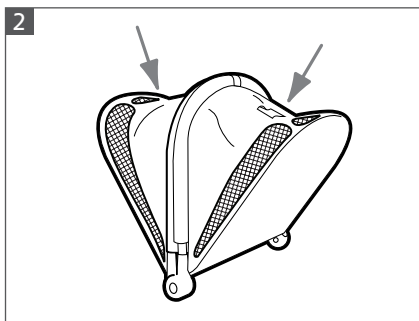


## DIRECTIONS TO CLOSE

- 1. NOTE:** There is no need to remove the pad prior to folding. Simultaneously press buttons on both side hinges (**fig. 1**)

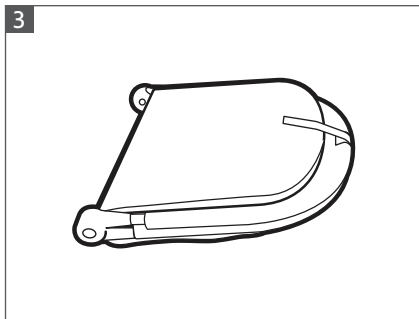


- 2.** Fold Travel Pod until metal support tubes touch. (**fig. 2**)



- 3.** Press button on each end support hinge and continue to fold Travel Pod until flat. (**fig. 3**)

Fasten closure strap.



## HOW TO CLEAN

**NOTE:** The pad is removable and includes a machine washable fitted sheet. When replacing pad, be sure that hook and loop fasteners are facing down and pad is horizontally and vertically centered.

**Fitted Sheet:** Machine washable. Remove pad first, then remove fitted sheet. Machine wash warm, no bleach. Tumble dry on low heat.

**Pad:** Surface washable only. Clean with warm water and a mild soap solution. Air dry mattress pad.

## IMPORTANT NOTE

Caregivers should discontinue using all Travel Pods when a baby begins to push up on their hands and knees. This developmental characteristic varies from child to child but typically occurs at approximately 3 to 4 months of age or when the child is approximately 15-20 lbs. MUNCHKIN, Inc. recommends that you discontinue use of the Fold 'n' Go™ Travel Pod at 3 months, 15 lbs or when your baby begins to push up on their hands and knees – whichever comes first.

## CONTACT US

If you have any questions or wish to provide comments about this product, feel free to contact our Customer Satisfaction team at **1-800-344-2229** (M-TH 8:00am-5:00pm PST, F 8:00am-1:00pm PST) or visit our website at **[www.munchkin.com](http://www.munchkin.com)**.



munchkin.com   
800.344.2229