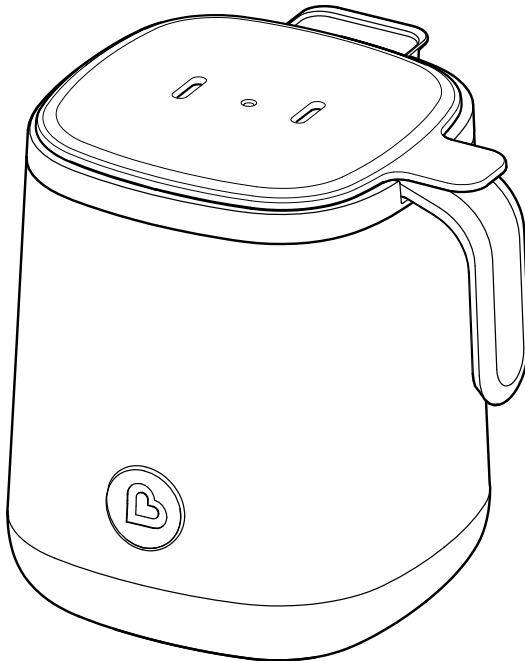


**munchkin**<sup>®</sup>

Fast<sup>™</sup>

Bottle Warmer & Sterilizer



---

KEEP FOR FUTURE REFERENCE

Please read the instructions carefully before using this product.

 **IMPORTANT SAFEGUARDS**  
 Important Safeguards..... 3

 **INCLUDED PARTS**  
 Included Parts..... 7

 **HOW TO USE**  
 How to Use..... 8  
 How To Clean ..... 15  
 To Descale..... 15  
 Technical Specifications..... 16

 **CUSTOMER SERVICE**  
 One-Year Limited Warranty ..... 17  
 Contact Us ..... 17

## IMPORTANT SAFEGUARDS

# **WARNING:** **STRANGULATION HAZARD!** **KEEP OUT OF REACH** **OF CHILDREN.**

When using electrical appliances, basic safety precautions should always be followed, including the following:

- Read all instructions carefully before using your bottle warmer.
- To protect against electrical shock, do not immerse the appliance, cord or plug in water or any liquid. Clean with damp cloth only.
- For use by adults for intended purposes only. Any other use is inappropriate and dangerous. Keep out of the reach of children.
- Do not touch hot surface. Use handles or knobs.
- Do not open the lid or reach over the appliance while in use, as steam will cause burns and serious injuries. Do not touch lid or interior parts during use, as serious injury may occur.
- This appliance is not intended for use by person (include children) with reduced physical, sensory or mental capabilities, or lack of experience and knowledge unless they have been given supervision or instruction concerning use of the appliance by a person responsible for their safety.
- Do not operate any appliance with a damaged cord or plug, after the appliance has malfunctioned or has been damaged in any manner. If there is any visible damage to the appliance, disconnect immediately and do not use.

- The appliance does not contain any user serviceable parts—repair should be done by qualified personnel. Do not dismantle. Return appliance to Munchkin, Inc. for examination, repair or adjustment.
- For household use only. Do not use outdoors.
- Appliance should be placed on a flat and stable area away from hot surfaces.
- Do not let cord hang over edge of table or counter or touch a hot surface.
- Do not move appliance when in use or if it contains hot water or liquid.
- The warming chamber may become hot. Do not touch while in use and let cool before handling.
- Pour out excess water and unplug appliance when not in use or before cleaning or storing.
- Ensure that the contents are at a safe temperature before feeding.
- Use plastic bottles approved for boiling or glass thermo-resistant bottles/containers with this appliance.
- Do not use this appliance to heat frozen milk, formula, or foods. Frozen liquids must be thawed before they are heated in this unit.
- Unplug the appliance from outlet when not in use, before putting on or taking off parts and before cleaning. Allow warmer to cool before cleaning.
- The use of accessory attachments not recommended by Munchkin may cause injuries.
- Do not place on or near a hot gas or electric burner, or in a heated oven.
- Turn off appliance before unplugging. To turn off, press and hold the power button or wait for the unit to power down automatically.

- Before serving, unplug cord from warmer. Do not leave cord within child's reach.
  - Close supervision is necessary when any appliance is used by or near children.
- a. A short power supply cord is provided to reduce the risk of becoming entangled in or tripping over a longer cord.
  - b. Extension cords are available and may be used if care is exercised in their use.
  - c. If an extension cord is used,
    1. The marked electrical rating of the extension cord should be at least as great as the electrical rating of the appliance, and
    2. The cord should be arranged so that it will not drape over the countertop or tabletop where it can be pulled on by children or tripped over unintentionally.
    3. If the appliance is of the grounded type, the cord set or extension cord should be a grounding-type 3-wire cord.

## SAVE THESE INSTRUCTIONS

## FCC WARNING

This device complies with part 15 of the FCC Rules. Operation is subject to the following two conditions:

- (1) This device may not cause harmful interference, and
- (2) This device must accept any interference received, including interference that may cause undesired operation.

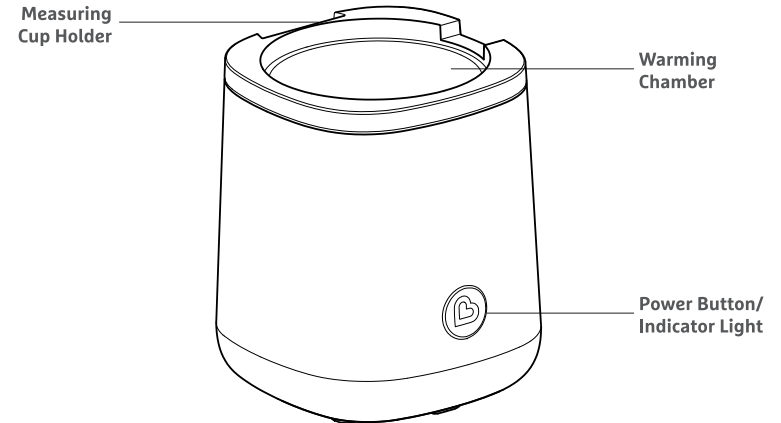
⚠ **WARNING:** Changes or modifications to this unit not expressly approved by the party responsible for compliance could void the user's authority to operate the equipment.

**NOTE:** This equipment has been tested and found to comply with the limits for a Class B digital device, pursuant to part 15 of the FCC Rules. These limits are designed to provide reasonable protection against harmful interference in a residential installation. This equipment generates, uses and can radiate radio frequency energy and if not installed and used in accordance with the instructions, may cause harmful interference to radio communications. However, there is no guarantee that interference will not occur in a particular installation. If this equipment does cause harmful interference to radio or television reception, which can be determined by turning the equipment off and on, the user is encouraged to try to connect the interference by one or more of the following measures:

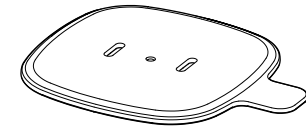
- Reorient or relocate the receiving antenna.
- Increase the separation between the equipment and receiver.
- Connect the equipment into an outlet on a circuit different from that to which the receiver is connected.
- Consult the dealer or an experienced radio/TV technician for help.

This CLASS(B) DIGITAL APPARATUS complies with CAN ICES-3 (B)/NMB-3(B).

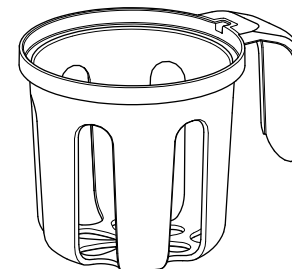
## INCLUDED PARTS



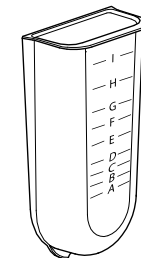
Adaptor Ring



Lid



Lift-out Basket



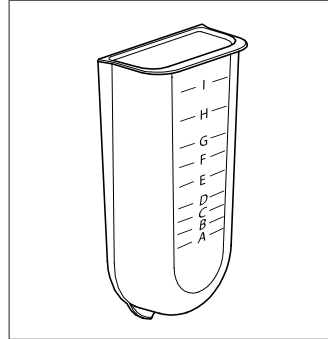
Measuring Cup

## HOW TO USE

### 1. HEATING BOTTLES AND FOOD JARS

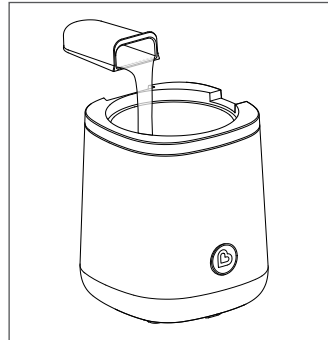
Remove Measuring Cup from its holder and fill it with **distilled** water to the appropriate fill line, according to the chart.

**NOTE:** It is recommended to use distilled water to avoid limescale build up on and around the heating plate.



2. Pour the pre-measured amount of water from Measuring Cup directly into Warming Chamber.

**NOTE:** Do not overfill. If too much water is used, the bottle or jar may be heated for too long a period and reach too high a temperature. Body temperature (98.6 °F / 37 °C) is ideal as a maximum warming level. Overfilling may also cause damage to the unit.



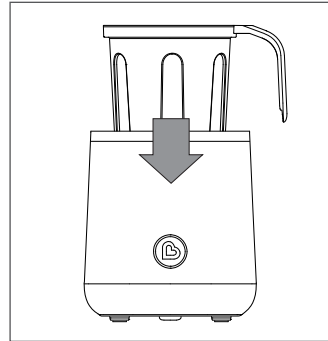
Bottle / Jar Style and Volume of Food	Food Temperature (Before Warming)	Fill Line
<b>WATER FILL LINE – PLASTIC BOTTLE</b>		
2 oz. Plastic Bottle	Room Temperature	C
2 oz. Plastic Bottle	Refrigerated	E
4 oz. Plastic Bottle	Room Temperature	D
4 oz. Plastic Bottle	Refrigerated	F
6 oz. Plastic Bottle	Room Temperature	C
6 oz. Plastic Bottle	Refrigerated	F
8 oz. Plastic Bottle	Room Temperature	D
8 oz. Plastic Bottle	Refrigerated	G
<b>WATER FILL LINE – SILICONE BOTTLE</b>		
2 oz. Silicone Bottle	Room Temperature	C
2 oz. Silicone Bottle	Refrigerated	H
4 oz. Silicone Bottle	Room Temperature	G
4 oz. Silicone Bottle	Refrigerated	G+H
6 oz. Silicone Bottle	Room Temperature	H
6 oz. Silicone Bottle	Refrigerated	G+H
8 oz. Silicone Bottle	Room Temperature	I
8 oz. Silicone Bottle	Refrigerated	H+I
<b>WATER FILL LINE – GLASS BOTTLE</b>		
2 oz. Glass Bottle	Room Temperature	A
2 oz. Glass Bottle	Refrigerated	B
4 oz. Glass Bottle	Room Temperature	A
4 oz. Glass Bottle	Refrigerated	B
6 oz. Glass Bottle	Room Temperature	A
6 oz. Glass Bottle	Refrigerated	A
8 oz. Glass Bottle	Room Temperature	A
8 oz. Glass Bottle	Refrigerated	C
<b>WATER FILL LINE – FOOD JAR</b>		
2.5 oz. Glass Jar	Room Temperature	E
2.5 oz. Glass Jar	Refrigerated	I
4 oz. Glass Jar	Room Temperature	F
4 oz. Glass Jar	Refrigerated	D + I

\*Room Temperature = 70°F / 21°C \*\*Chilled / Refrigerated = 40°F / 5°C

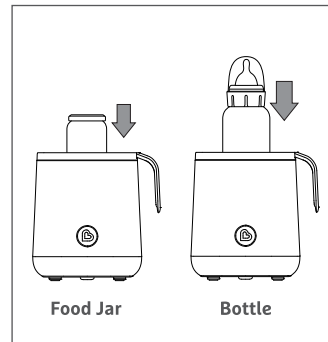
**NOTE:** These instructions are to be used as a guide only. Please note that there are many variables, such as size of the bottle and starting temperature of the food, which can impact the speed as well as the final temperature at which this unit warms the bottle or jar. Adjustments to the instructions above may be necessary. Always test temperature of the contents before feeding.

3. Always place Lift-Out basket inside Warming Chamber before positioning your bottle or jar.

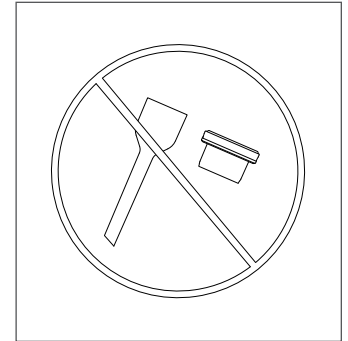
**NOTE:** Never place bottle or jar in Warming Chamber without using the Lift-Out Basket. Bottle / Jar could be damaged or overheated.



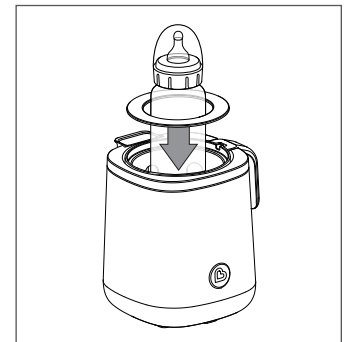
4. Place bottle or food jar into warmer.



**NOTE:** Remove any internal parts or accessories from your bottle before heating to prevent leaking. Use storage cap instead of nipple if you have one. Remove lid from food jar before heating.



5. Place Adapter Ring on top of the Lift-Out-Basket. If the Adapter Ring does not fit loosely around the bottle, do not use.



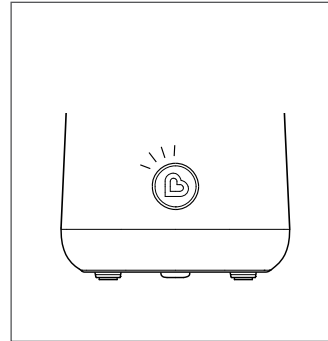
6. Press the power button. The Indicator Light will illuminate. This indicates that the warming cycle has started.

**NOTE:** To manually stop heating, press and hold the power button for 3 seconds.

The heater and light will shut off and the unit will beep to indicate that the cycle has been completed. Remove the lift out basket with the bottle / jar together at once so that it will not continue heating.

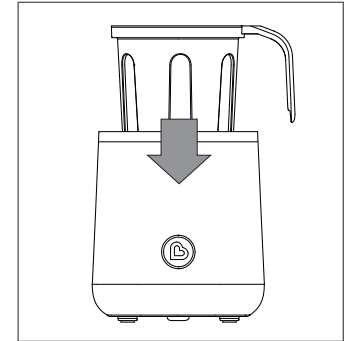
- If bottle / jar is not warm enough, use slightly more water next time.
- If bottle / jar is too warm, use slightly less water.
- When heating a food jar, make sure to stir the contents before serving until the temperature is consistent throughout.

**NOTE:** Allow at least 5 minutes for the unit to cool before next use.

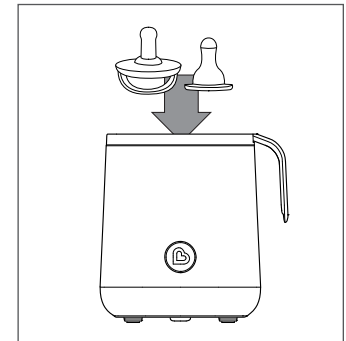


2. Place Lift-Out basket inside Warming Chamber.

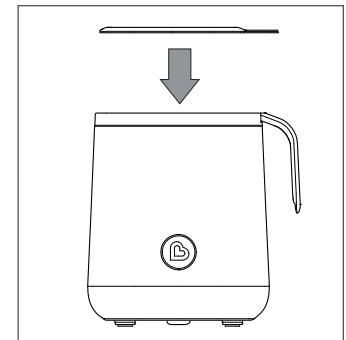
**NOTE:** Never use the sterilize feature without using the Lift-Out Basket. Damage may occur to the unit.



3. Place small parts to be sterilized into the basket.



4. Place Lid on top of basket.

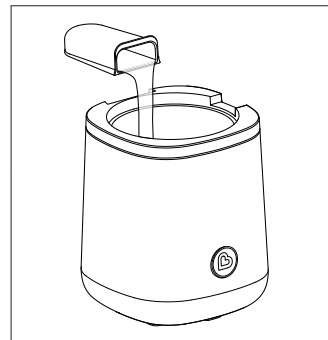


## STERILIZING SMALL PARTS

You can use the sterilize feature for any small parts that can handle steam sterilization (Such as bottle nipples, pacifiers, etc.). Do not sterilize bottles with this device.

1. Fill the measuring cup to (l + l + D) and pour directly into Warming Chamber.

**NOTE:** Do not overfill. Overfilling may cause damage to the unit.



5. Press the power button. The Indicator Light will illuminate. This indicates that the warming cycle has started.

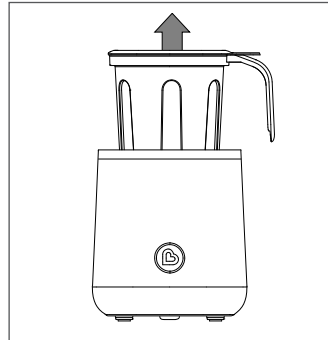
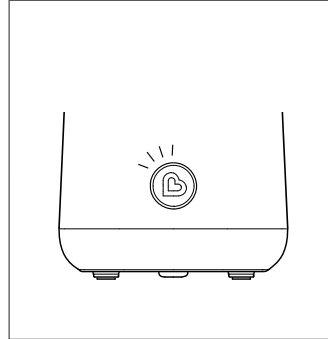
**NOTE:** To manually stop heating, press and hold the power button for 3 seconds.

The heater and light will shut off and the unit will beep to indicate that the cycle has been completed.

**⚠ CAUTION:** Allow unit to cool for at least 10 minutes before removing lid. Take care when removing lid as hot steam escaping from the vents can cause burns.

6. Once cool down is complete, remove Lift-out basket AND lid together. Then take off the lid and remove items.

**NOTE:** Allow at least 5 minutes for the unit to cool before next use.



## HOW TO CLEAN

Always unplug unit and ensure that it is cool before cleaning.

**Bottle Warmer Unit:** Wipe surface of unit as well as inside of the warming chamber with a damp cloth or sponge using mild liquid soap and/or white vinegar. Wipe with a damp cloth and water. Do not submerge unit.

**Measuring Cup, Basket and Adapter Ring:** Wash with mild liquid soap and rinse with clear water. Allow to air-dry. Do not use scouring pads, abrasives or solvents for cleaning; they may damage the appliance and its surfaces.

## TO DESCALE

It is helpful to descale your Bottle Warmer every four weeks to ensure that it continues to work properly. To descale, mix 2 oz. (50ml) of white vinegar with 4 oz. (100ml) of cold water and pour into the Warming Chamber. Allow liquid to stand in the unit until any deposits (limescale) have dissolved. Discard liquid and rinse with water.



## TECHNICAL SPECIFICATIONS

- Product name: Fast™ Bottle Warmer & Sterilizer
- Model: MKFE0921 REV1

### Electrical Rating:

- Input: 120V AC ~ 60Hz Wattage: 600W
- Dimensions: L 5" (12.7 cm) x W 5" (12.7 cm) x H 6.0" (15.3 cm)
- Net Weight: 1.3 lb (600g)

## ONE-YEAR LIMITED WARRANTY

The Fast™ Bottle Warmer & Sterilizer comes with a one-year limited warranty against defects from the date of purchase. In the event of a malfunction or defect during the in-warranty period, Munchkin, Inc., at its option, will replace or repair the product under warranty. Upon receipt of the product and the proof of purchase with a valid date of purchase, the defective part will be immediately repaired or replaced and returned to you free of charge (USA only). Please send defective unit, proof of purchase with the original store receipt, and a description of the problem you have encountered to:

Munchkin, Inc.  
7835 Gloria Avenue  
Van Nuys, CA 91406, USA  
Attn: Fast™ Bottle Warmer & Sterilizer Warranty

**NOTE:** This warranty does not cover misuse, abuse, abnormal wear & tear, negligence, environmental exposure, alteration or accident. Any alteration or removal of the product date code invalidates all claims against the manufacturer.

## CONTACT US

If you have any questions or wish to provide comments about this product, feel free to contact our Customer Satisfaction team at **1-800-344-BABY** (2229) (M-TH 8:00am- 5:00pm PST, F 8:00am-1:00pm PST) or visit our website at **[www.munchkin.com](http://www.munchkin.com)**.



**munchkin.**  
*it's the little things.*

munchkin.com  
800.344.2229 

© 2023 MUNCHKIN, INC. 7835 GLORIA AVE., VAN NUYS, CA 91406. MADE IN CHINA. 38114-IS-1  
WWW.MUNCHKIN.COM/PATENTS