

GAZEBO

SCREEN KIT

INSTRUCTIONAL MANUAL

CEDARSHED Industries
 9770 - 199A Street
 Langley, BC V1M 2X7
 Canada



TABLE OF CONTENTS

INTRODUCTION	page	1
▸ Parts List		2
Step A: INSTALLING SCREEN ON THE FLOOR		3
Step B: INSTALLING SCREEN ON THE TWO TIER FACE RAILS		4
Step C: FRAMING THE DOORWAY		5
Step D: HANGING THE SCREEN DOOR		6
Step E: INSTALLING THE DOOR STOPS		7
Step F: INSTALLING SOFFIT PIECES		8
Step G: BUILDING THE SCREEN FRAMES		10
Step H: MOUNTING THE SCREEN FRAMES ONTO THE GAZEBO		13
HELPFUL HINTS		15

INTRODUCTION

Your Cedarshed Pre-cut Screen Kit is made of Western Red Cedar. For information on care and cosmetics of this product, please refer to the Gazebo manual.

Before you begin assembly, read the entire manual through once. Then, follow these instructions carefully, step by step, to ensure easy assembly and a good fit of all the components.

Steps A, B, and C in this manual must be referred to **while** you are assembling your Gazebo. The remaining steps of the screen kit manual may be completed after you have finished assembling your Gazebo.

The customer agrees to hold Cedarshed and any of our Authorized Dealers free of liability due to improper installation, maintenance and repair of any Cedarshed products.

Obtaining necessary permits is the sole responsibility of the purchaser.

GAZEBO SCREEN KIT

PARTS LIST

To confirm you have received all parts, sort pieces according to usage. Call or e-mail us immediately if you are missing any parts and we will courier any part(s) within seven (7) days, free of charge.

Toll Free Customer Support Line: **1 800 830-8033**.

E-mail: Sales@cedarshed.com

When contacting us, please quote your Serial and Inspector numbers found with our checklist on the inside of the unit.

If you will be working on a Cedarshed product over the course of several days, please cover any pieces to keep sheltered from the elements.

- 2 2x4 Door Frame Studs
- 2 Top Rails (short)
- 2 Bottom Rails (short)
- 4 Sidewall Rail Fillets (short)
- 4 2x2 Balusters
- 2 1x2 Upper Baluster Top Rails
- 2 2x2 Upper Baluster Bottom Rails
- 4 2x2 Upper Balusters
- 1 Screen Door with Hardware Kit
- 2 1x2 Long Door Stops *Plus 1 TOP FILLET. FOR DOORLIGHT.*
- 1 1x2 Short Door Stop *1 1/2 INCH.*
- 18 1x5 Soffit Pieces (Hexagon)
- 16 1x5 Soffit Pieces (Octagon)
- 12 Top Screen Frame Side Pieces (Hexagon)
- 16 Top Screen Frame Side Pieces (Octagon)
- 20 Bottom Screen Frame Top/Bottom Pieces (Hexagon)
- 28 Bottom Screen Frame Top/Bottom Pieces (Octagon)
- 4 Doorwall Screen Top/Bottom Pieces
- Foam Piping
- 1 Roll of 3' Wide Screen
- 1 Roll of 4' Wide Screen *3' WIDE SCREEN*
- Hardware *1 Roll FOR FLOOR*

A. INSTALLING SCREEN ON THE FLOOR

1. You must place the screen on the floor joist system prior to installing the deck pieces. As shown in **Figure A1**, roll out the screen material over the joists, making sure that there is a minimum of one inch overlap between adjacent pieces. Staple the material to all of the joists.
2. Use a utility knife to trim the overhang, leaving at least one inch of material for the staple to hold to the top of the rim joist. You may install the decking as per your Gazebo instruction manual.

NOTE: USE 3FT WIDE SCREEN FOR FLOOR

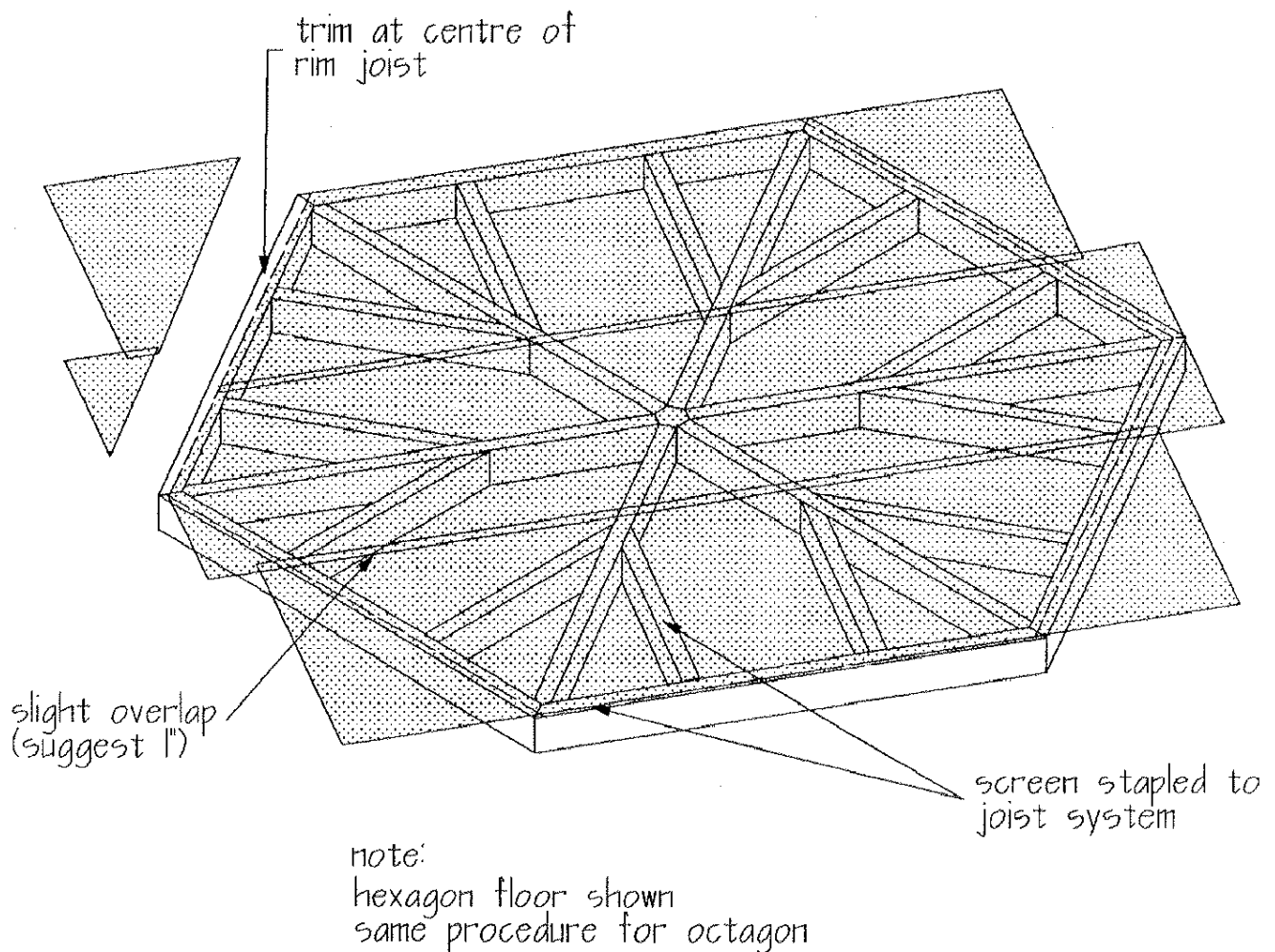
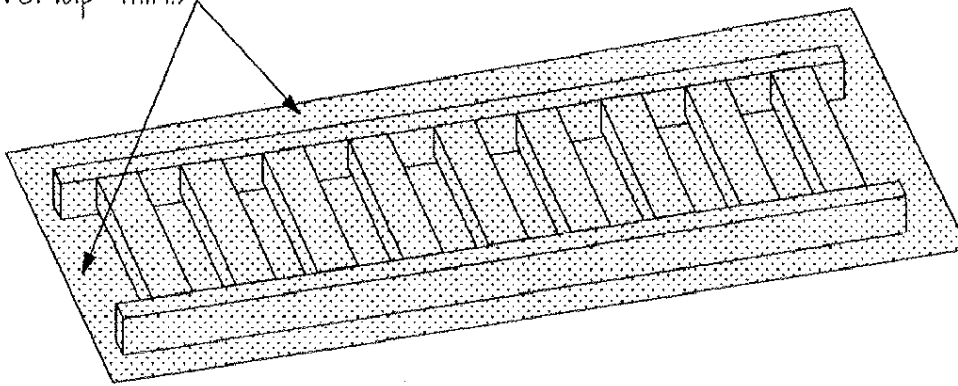


FIGURE A1

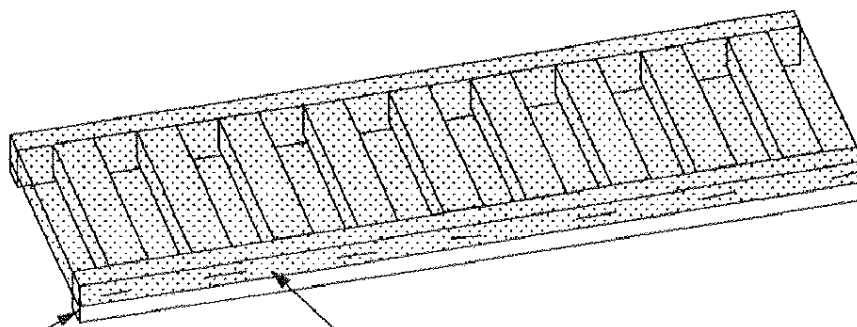
GAZEBO SCREEN KIT**B. INSTALLING SCREEN ON THE TWO TIER FACE RAILS**

1. Before attaching the support posts to the face rail units, the screen material should be installed. Roll the screen over the face rail and cut a piece with about one inch of overlap around the entire unit. **[See Figure B1].**
2. Fold and staple on all four sides of the face rail. Complete all of the face rails in this manner at this time. Now you are ready to attach the support posts and place the completed units on the two tier roof as shown in your Gazebo instruction manual.

place screen
over face rail
(1" overlap min.)



fold over end
and staple
(both ends)



fold and staple
along upper and lower
rail

FIGURE B1

C. FRAMING THE DOORWAY

1. As indicated in your Gazebo instruction manual, you will not be able to install the upper baluster unit and the brackets for the doorway wall section. Instead, you will frame the doorway to accommodate a pre-assembled screen door. You may choose to complete this step once your Gazebo is completed, or you may assemble this portion while you are completing the sidewalls.
2. Assemble the upper and lower baluster rails for the doorway. Use the same procedure as used when you constructed the baluster rails for the other walls. When done, you should have two short lower rails, and two short upper rails. **[See Figure C1].**
3. Mark each of the two door frame 2x4 studs to indicate the distance from the bottom at which to place the bottom of the lower rail. Use a rail support block if you have one available. The upper baluster unit should be flush with the top of the stud. Using two 3" screws at every joint, attach the rail sections to the door frame stud. Complete the other side as well, also shown in **Figure C1**.
4. Next, attach the door frame/rail assembly to the Gazebo post. Secure with 3" screws at the header joint, as well as at an angle through the adjacent post. Complete both sides.

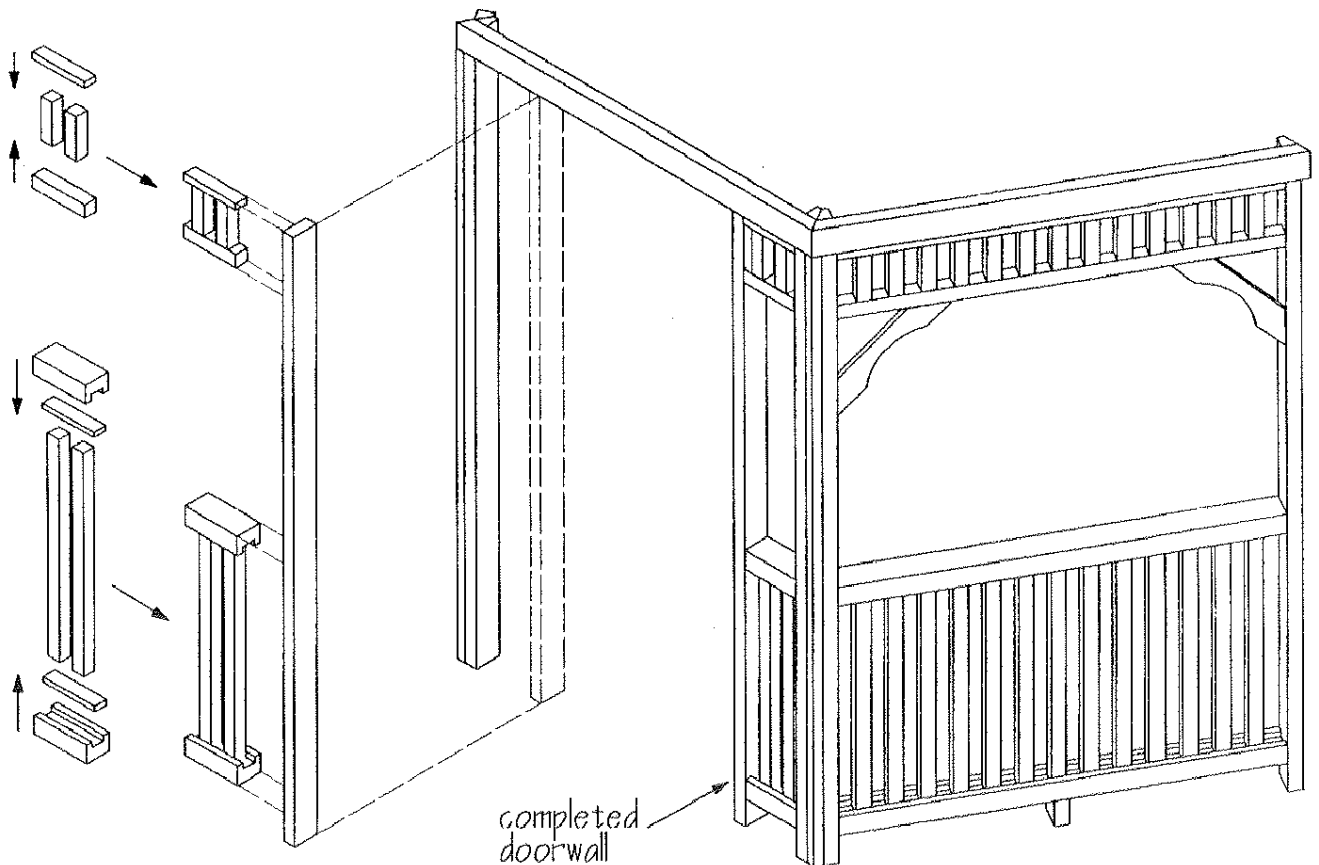
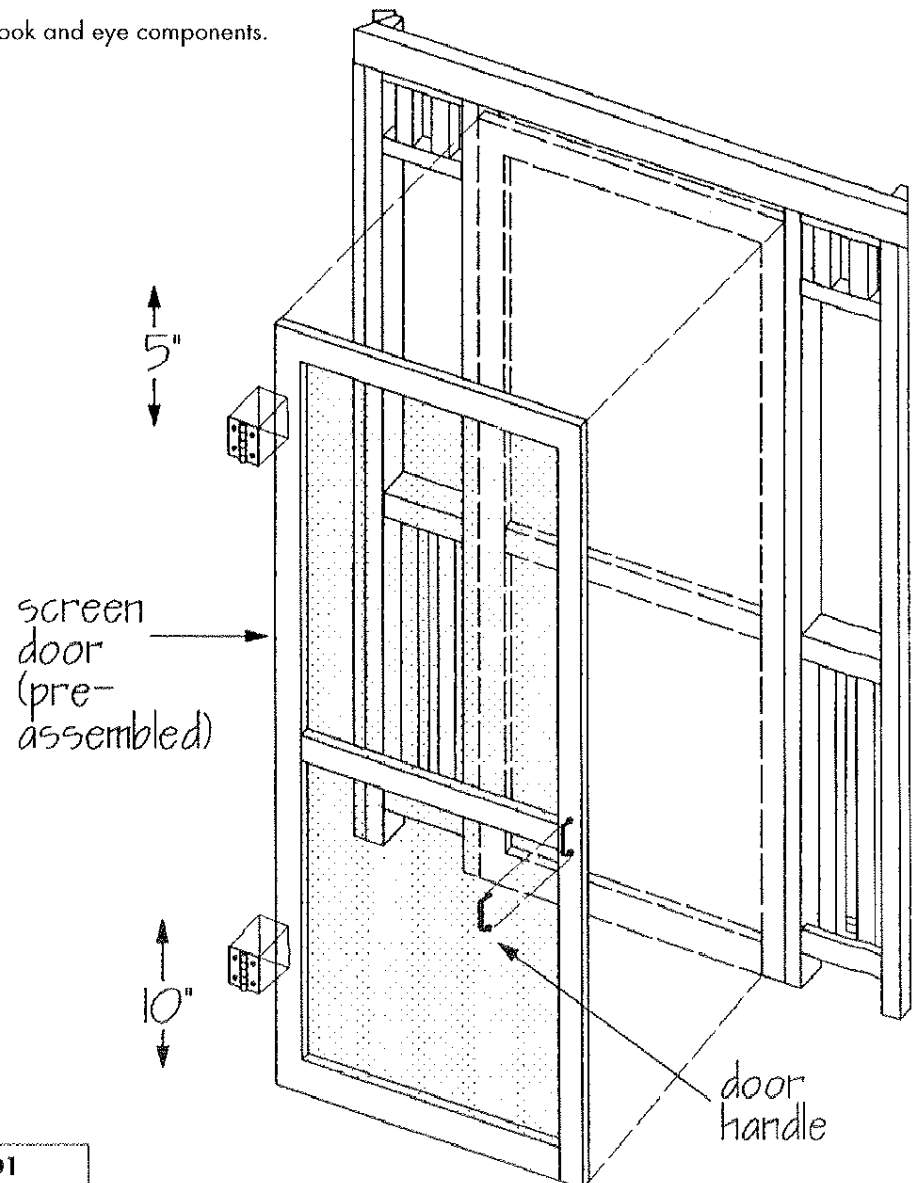


FIGURE C1

GAZEBO SCREEN KIT**D. HANGING THE SCREEN DOOR**

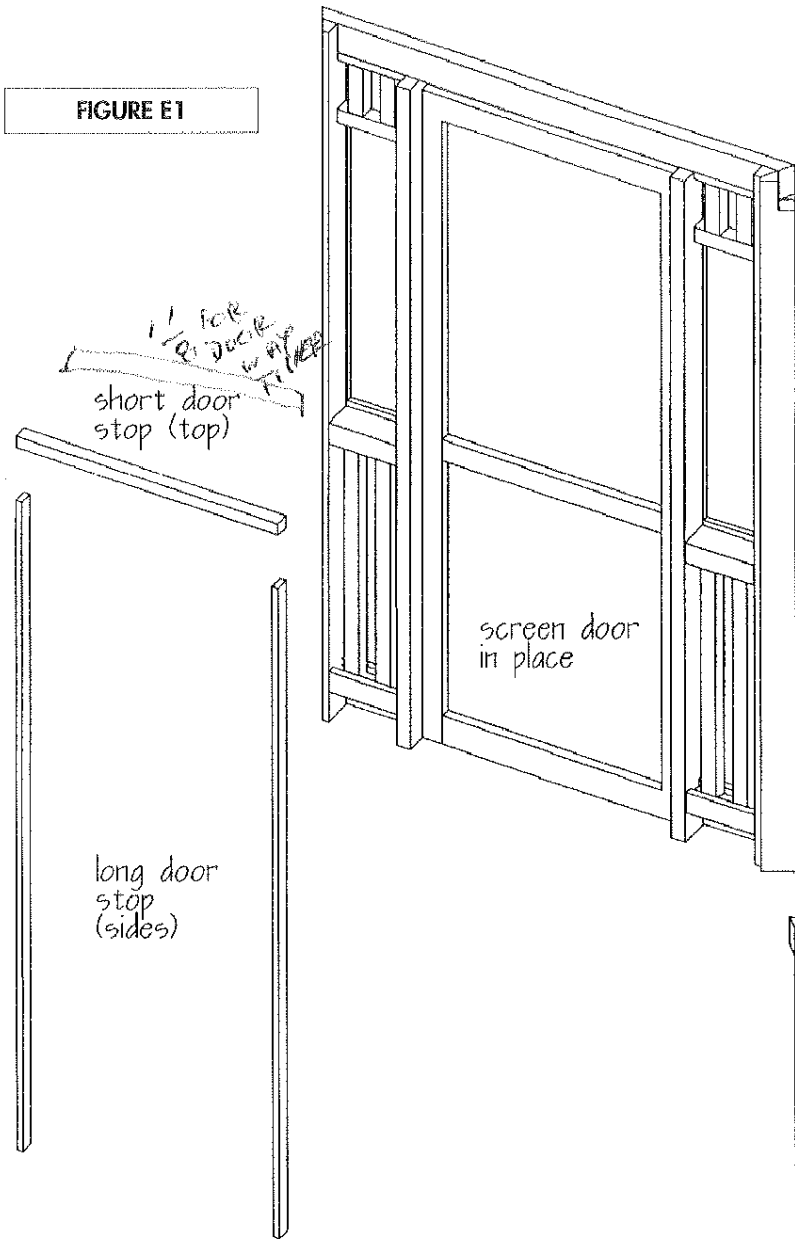
1. The pre-assembled screen door comes with a hardware package containing hinges, door pull and hook and eye set. Note the detailed instructions on the packaging.
2. With a helper, place the screen door in the proper position and decide which way you want it to swing.
3. There should be approximately a 1/8" clearance between the door and the frame. Mark and drill starter holes for the hinge screws. The top hinge should be about 5" from the top of the door, and the bottom hinge should be about 10" from the bottom of the door. Attach the hinges with the screws provided. **[See Figure D1].**
4. Attach the door handle and hook and eye components.

**FIGURE D1**

GAZEBO SCREEN KIT

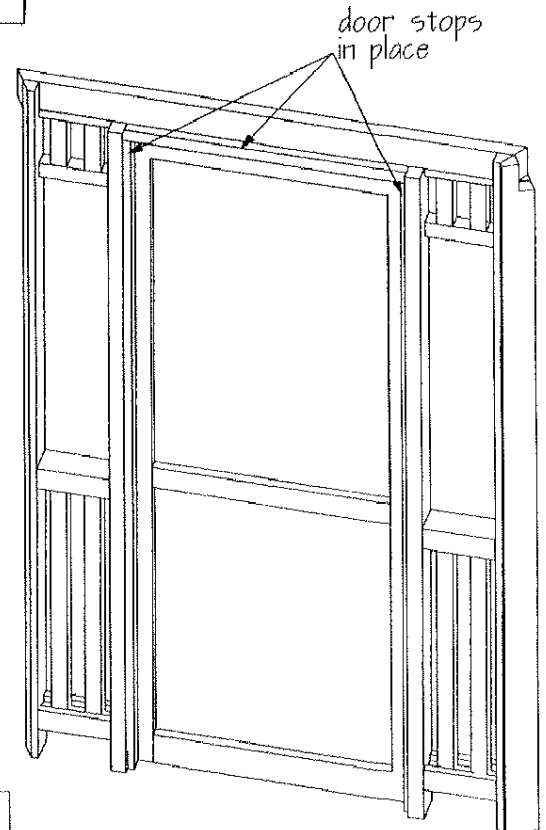
E. INSTALLING THE DOOR STOPS

FIGURE E1



1. Close the door so that the face of it is flush with the outer edge of the door frame stud. Mark with a pencil on the studs and header where the inside of the door rests.
2. Using the lines as guides, affix the two long side door stops and the one short top door stop as shown in **Figure E1**. Use the 1 1/2" galvanized nails and tack (not all the way in) the stops into position. Close the door and check the fit. Adjust accordingly. When you are satisfied with the door placement, drive the nails all the way in. [See **Figure E2**].

FIGURE E2



GAZEBO SCREEN KIT

F. INSTALLING THE SOFFIT PIECES

1. The 1x5 soffit pieces fill in the openings between the header and the underside of the roof. They are cut to the proper length in the factory. There will be two pieces per side for a total of 16 for octagon Gazebos **[Figure F1]**, and three pieces per side for a total of 24 for hexagon models **[Figure F2]**. Keep in mind that the angle cut ends of a soffit piece should always be butted up against a long roof rafter. The square cut ends will face either a centre rafter or a short rafter.

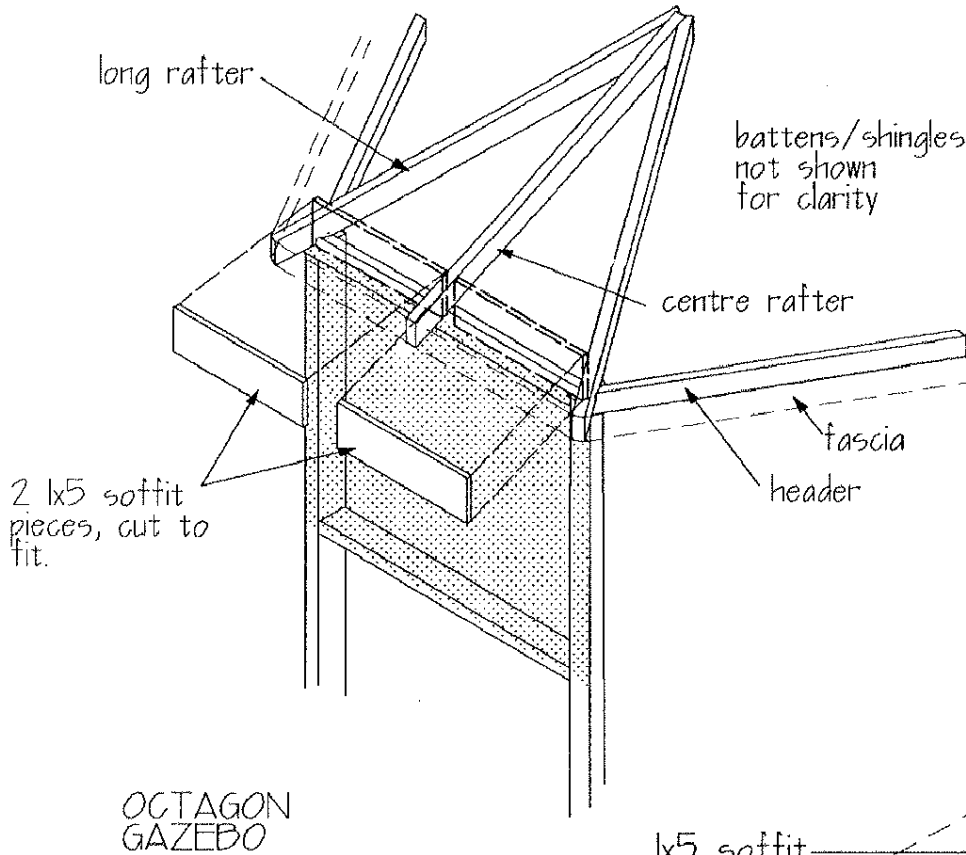


FIGURE F1

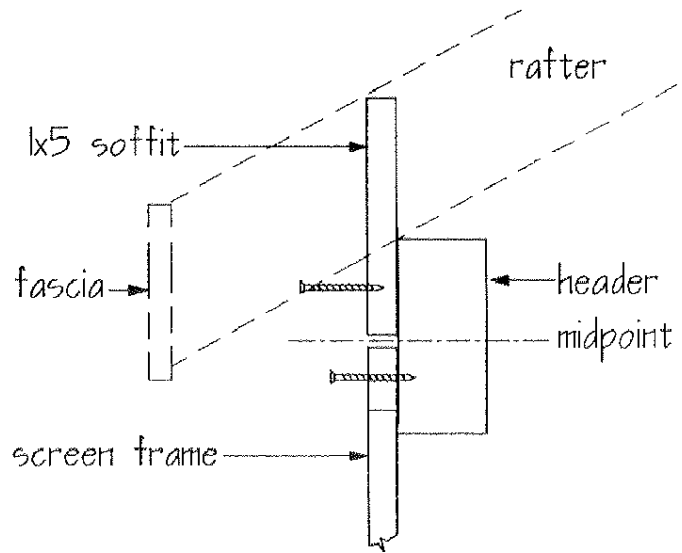


FIGURE F3

SOFFIT DETAIL SIDE VIEW

GAZEBO SCREEN KIT

2. Each soffit piece should fit snug up against the underside of the roof battens, and between two rafters. When in the right position, the bottom of the soffit board should reach midpoint on the face of the header. When you install the screen frame later, the frame will sit directly beneath the soffits. [See Figure F3].
3. Attach each soffit piece by placing two or three well-spaced nails through the soffit and into the header. Repeat this procedure for all sides of the Gazebo.

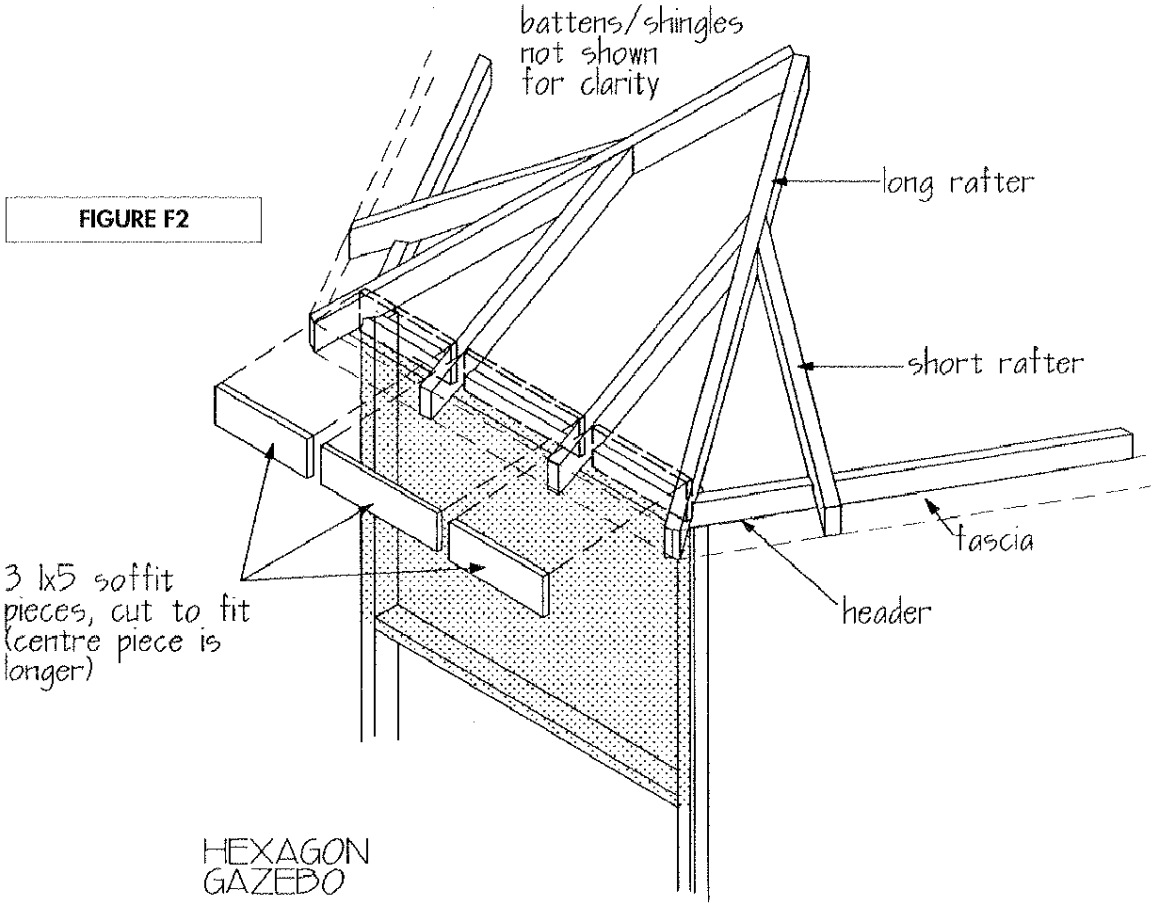


FIGURE 8

GAZEBO SCREEN KIT

G. BUILDING THE SCREEN FRAMES

1. Take the screen frame pieces and lay them out according to their proper placement. Use **Figure G1** as a guide to identify the frame types.

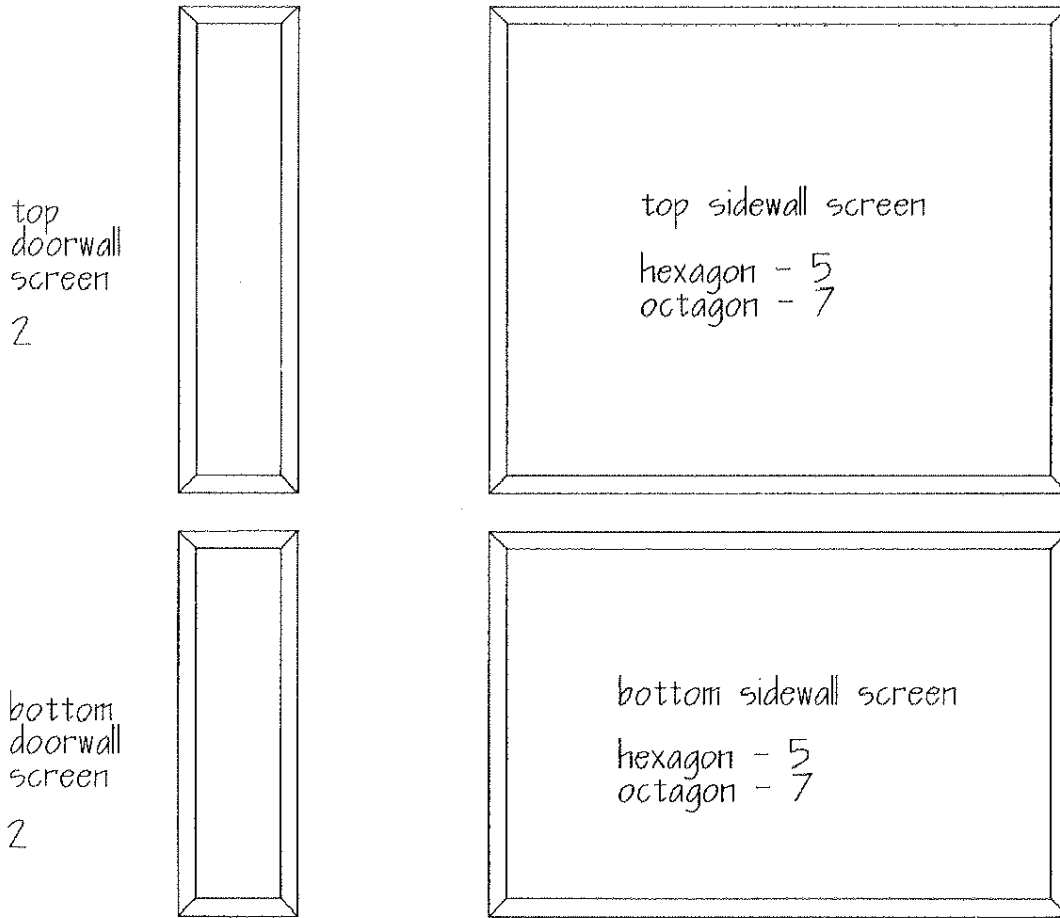
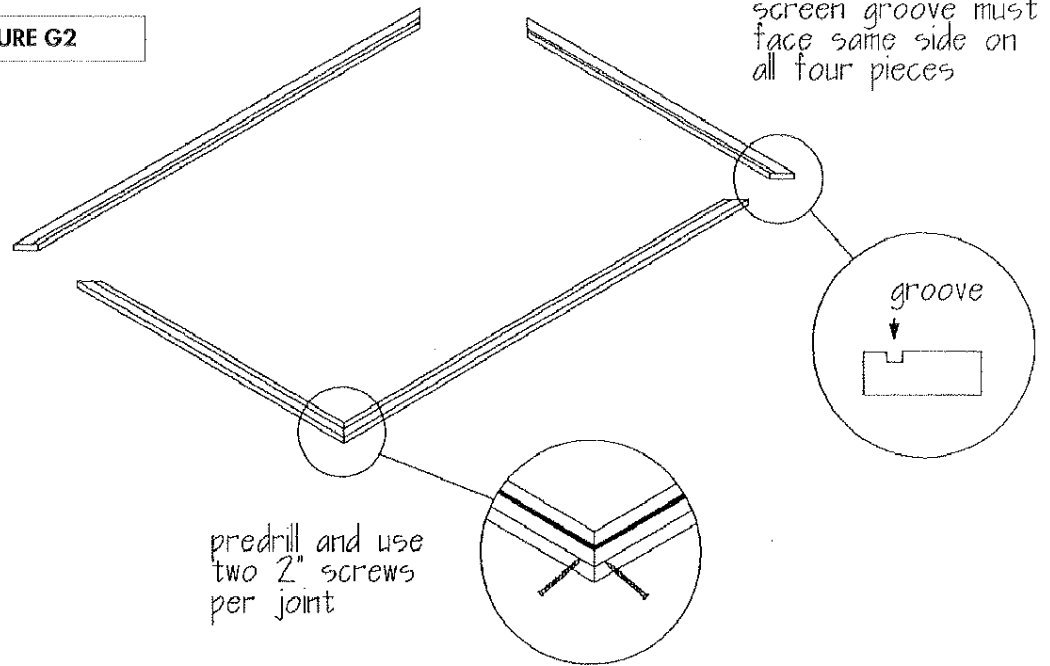


FIGURE G1

2. Notice that every piece has a groove on one side. It is imperative that the groove on all four frame pieces end up on one side of the completed frame. As shown in **Figure G2**, pre-drill and place two 2" screws per miter joint in the frame. Complete the required type and number of frames at this time.

FIGURE G2



3. The screen material comes in 3' and 4' wide rolls. Beginning with the bottom frame, place the 3' roll over the frame and trim to length [see **Figure G3**].

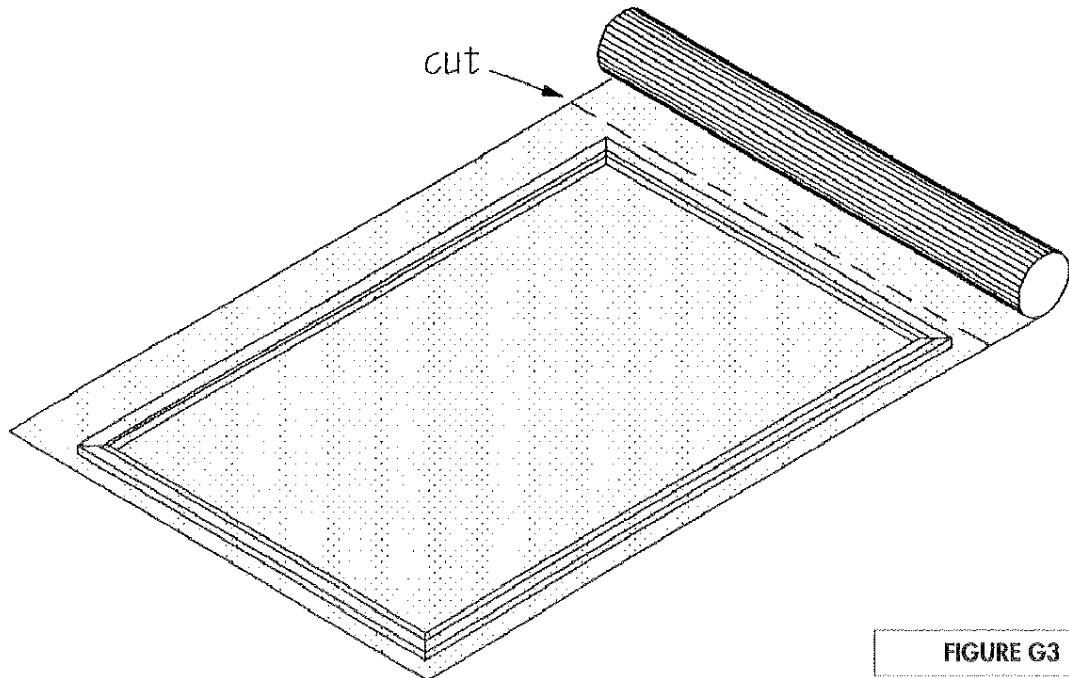
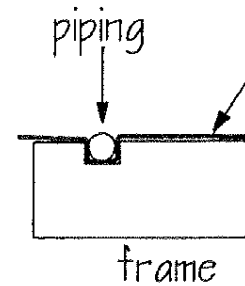
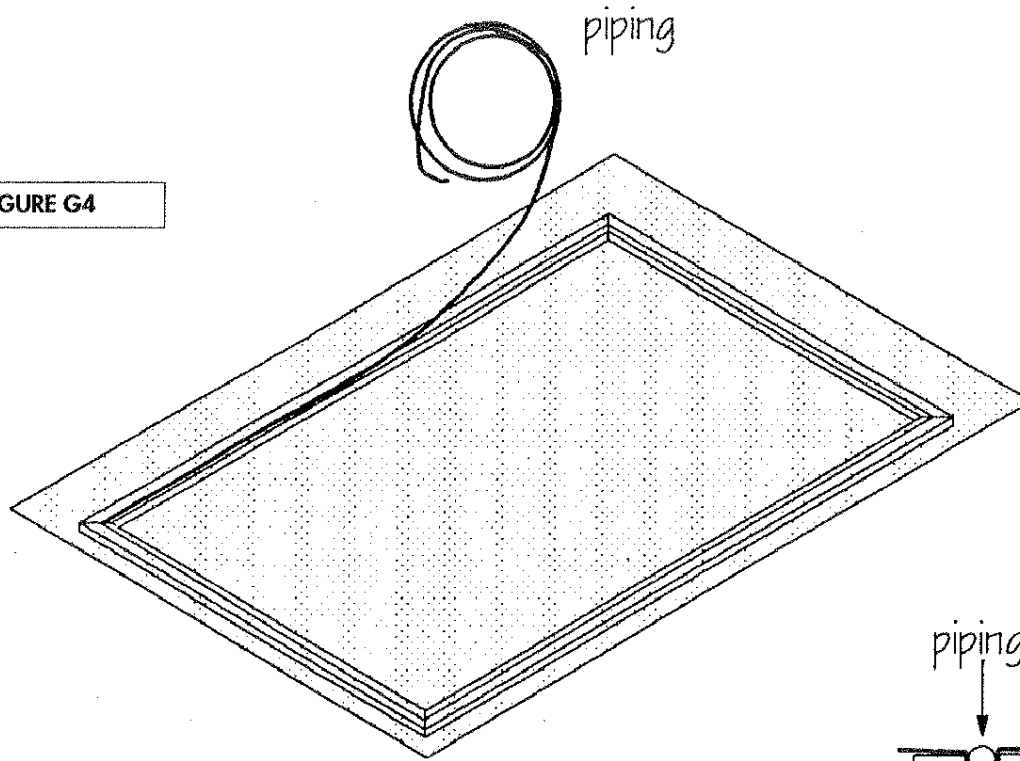


FIGURE G3

GAZEBO SCREEN KIT

- 4. Beginning at one end of the frame, squeeze the foam piping into the channel groove in the frame making sure the screen is taught as you work. Trim the piping when you get to the joint. Continue along the adjacent side. Use a screwdriver or similar tool to force the piping deep into the channel. Pull the screen taught, and place the piping in the final side. As you press the piping down, notice how the screen tightens up, illustrated in **Figure G4**.

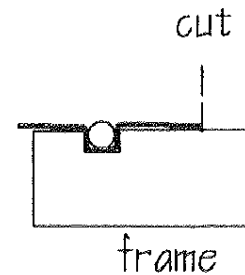
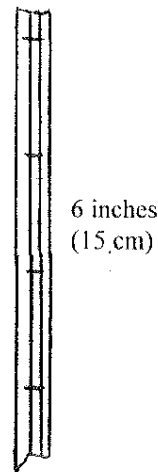
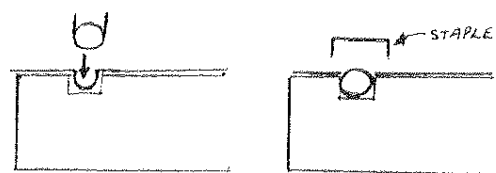
FIGURE G4



Note:

Over time the groove in the wood and the piping may contract and expand thus the screening material may come loose. If you live in a area where severe weather conditions occur, you may wish to either -wrap the piping in an extra piece of screening before placing it into the groove or -using a staple gun strategically place staples over the groove approximately 6 inches (15 cm) apart. Either method will assist in holding the piping in position. Please see inset diagram for details.

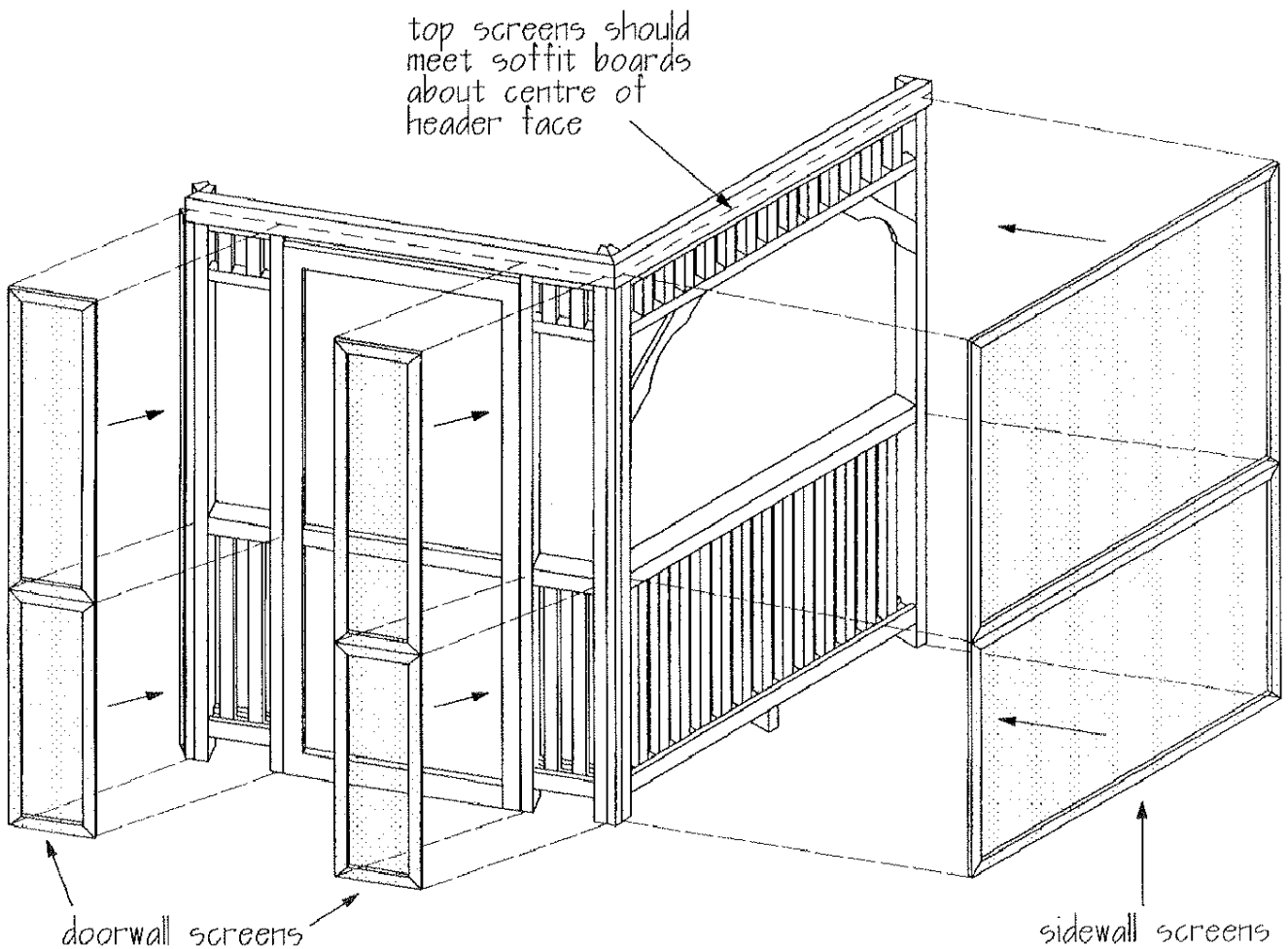
STAPLE PLACEMENT



H. MOUNTING THE SCREEN FRAMES ONTO THE GAZEBO

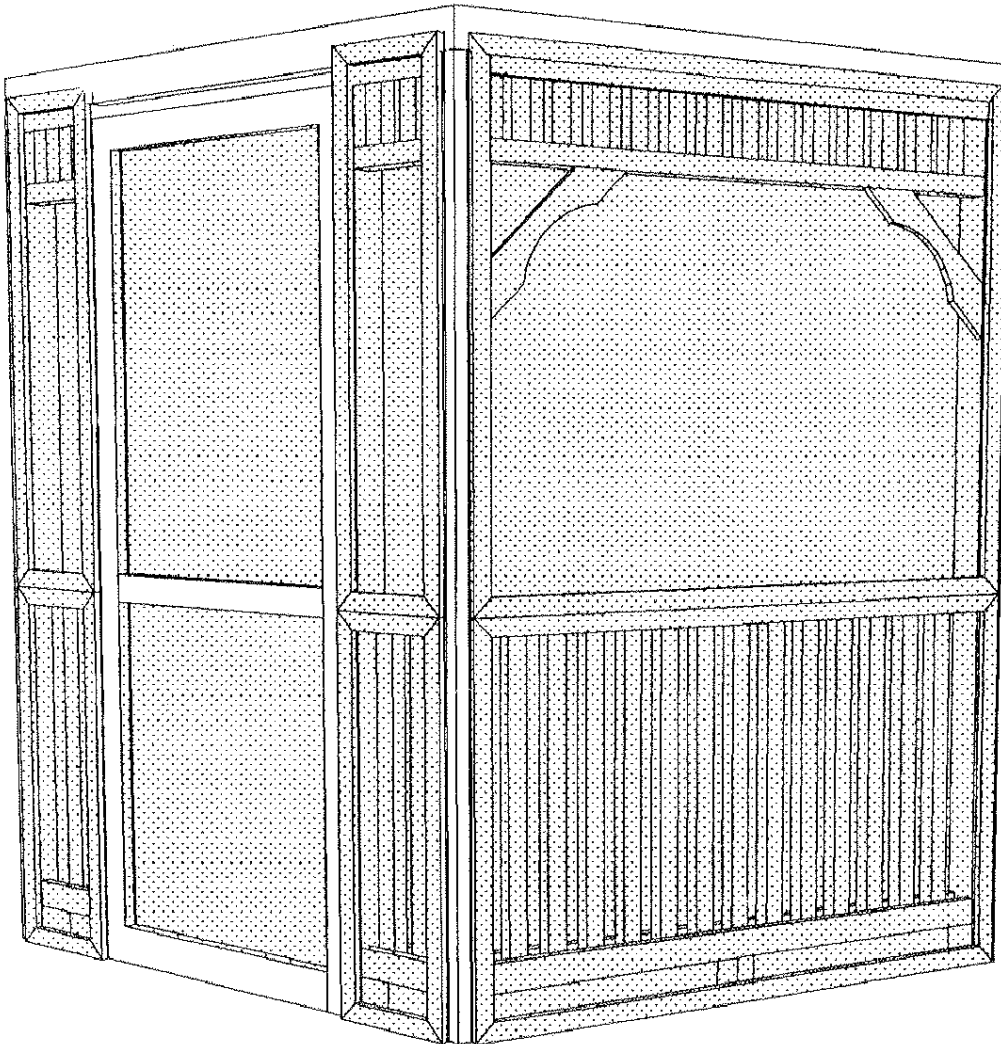
1. Have a helper hold the screen in place. The outside edge of the screen frame should be flush with the outside edge of the Gazebo post. In the case of the top screens, they should fit snug up against the bottom of the soffit. The bottom screens should rest on the deck. [See Figure H1].

FIGURE H1



GAZEBO SCREEN KIT

2. Position a top and bottom set of screens on the Gazebo wall, and check the fit. Starting with the top screen, drill holes through the frame and into the post. Two equally-spaced holes per frame side are sufficient. You may want to countersink the holes so that the screw will sit flush with the screen face. Use 3" screws to fasten the screen to the post. When the top frame is in place, repeat the procedure with the bottom frame. The bottom frame piece will only require one screw into the rail support block. Repeat this procedure on the other walls.
3. The door wall frames are installed in the same manner. However, the bottom frames will not require a screw in the bottom piece. **[See Figure H2].**

**FIGURE H2**

HELPFUL HINTS

1. Depending on where you live, you may wish to remove the screens during certain times of the year. Or, you may have to repair the screen in a frame or two. With this in mind, mark each screen and its location on the Gazebo to ensure easy re-installation.
2. If you remove the screens periodically, try coating the screws in beeswax. Not only will they move smoothly in and out of the wood, but the wax will add further protection against rust and weathering.
3. If insects are finding their way under a gap in the door, you can fasten a 36" piece of weather stripping to the bottom of the door.

GAZEBO SCREEN KIT**CONGRATULATIONS!**

You have successfully completed the construction and installation of your Gazebo Screen Kit. Thank you for choosing a CEDARSHED product. We hope that your entire experience was a rewarding one and that you and your family will have years of enjoyment with our product.

As mentioned in the questionnaire (included inside the unit packaging along with the checklist of parts), by completing our questionnaire and mailing a picture of your completed Cedarshed product, we will send you a personalized plaque free of charge that you can mount on your structure (max. 35 letters).

Please refer to the questionnaire or call Cedarshed if you require additional information.

TOLL FREE CUSTOMER SUPPORT: 1 800 830-8033

E-MAIL: sales@cedarshed.com

Mailing address

in Canada:

CEDARSHED Industries
9770 - 199A Street
Langley, BC V1M 2X7
Canada

in USA:

CEDARSHED Industries
P.O. Box 2189
Blaine, WA 98231
USA

Visit our Website: www.cedarshed.com