

COOKHOUSE  
16 Ft x 14 Ft  
MODEL CK1614





# ACCESSORIES, HARDWARE, AND FASTENERS



Door Handle



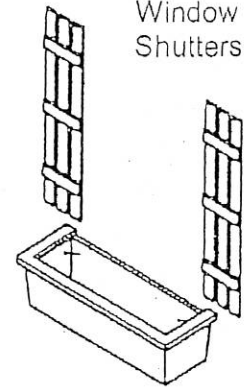
"Cedarshed" plaque



Blank plaque

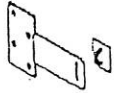


Cedarshed plaque



Window Shutters

Planter box

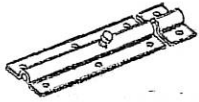


Hasp



Hinges

## Fasteners



Barrel bolt



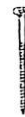
1 1/8" nails



1 3/4" nails



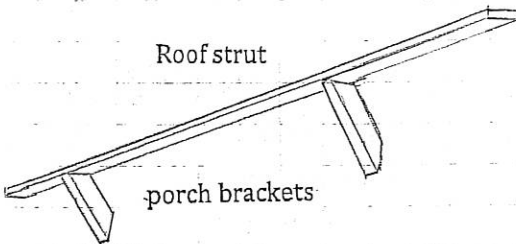
2" nails



2" screws



3" screws



Roof strut

porch brackets

CK1614

PART #	DESCRIPTION	DIMENSIONS (where app.)	# OF PCS
<b>ACCESSORIES</b>			
P-H-PLAQSL	square CS plaque	square CS plaque	1
P-H-PLAQNL	peak plaque	peak plaque	2
P-FW-001	window box	window box	2
P-SH-001	shutters	shutters	4
P-1C672	roof strut	1F x 6 x 72	1
P-238Y	porch brackets	2 x 3 x 8	2
<b>FASTENERS</b>			
P-H-NL1.125	nails	1 1/8" nails	40
P-H-NL1.75	nails	1 3/4" nails	400
P-H-NL2	nails	2" nails	75
P-H-SC2	2" screws	2" Screws	550-850
P-H-SC3	3" screw	3 " Screws	600
<b>DOOR AND HARDWARE</b>			
DR-003	Dutch Door	Dutch door	1
P-H-THING6	T-Hinges	6 " T-hinges	4
P-H-BBLT4	barrel bolt	4 " barrel bolt	1
P-H-DHAND	door handle	door handle	1
P-H-HASP	hasp	hasp	1

Instruction manual, questionnaire and driver bit

# FarmHouse and CookHouse Models

## (Wrap around porch models)

To build this model of shed, please use this Model Specific Instruction Manual along with the “ASSEMBLY INSTRUCTIONS FOR THE RIDGE PORCH OPTION, the “STANDARD SHED INSTRUCTION MANUAL”, and the “PORCH GABLE INSTRUCTION MANUAL”.

These four documents will give you all the information necessary to complete this project.

This manual outlines the specific parts needed to complete each stage. While the other manuals will give specific details on how to perform each stage. If you should have any questions please contact us at 1-800-830-8033 or [sales@cedarshed.com](mailto:sales@cedarshed.com).

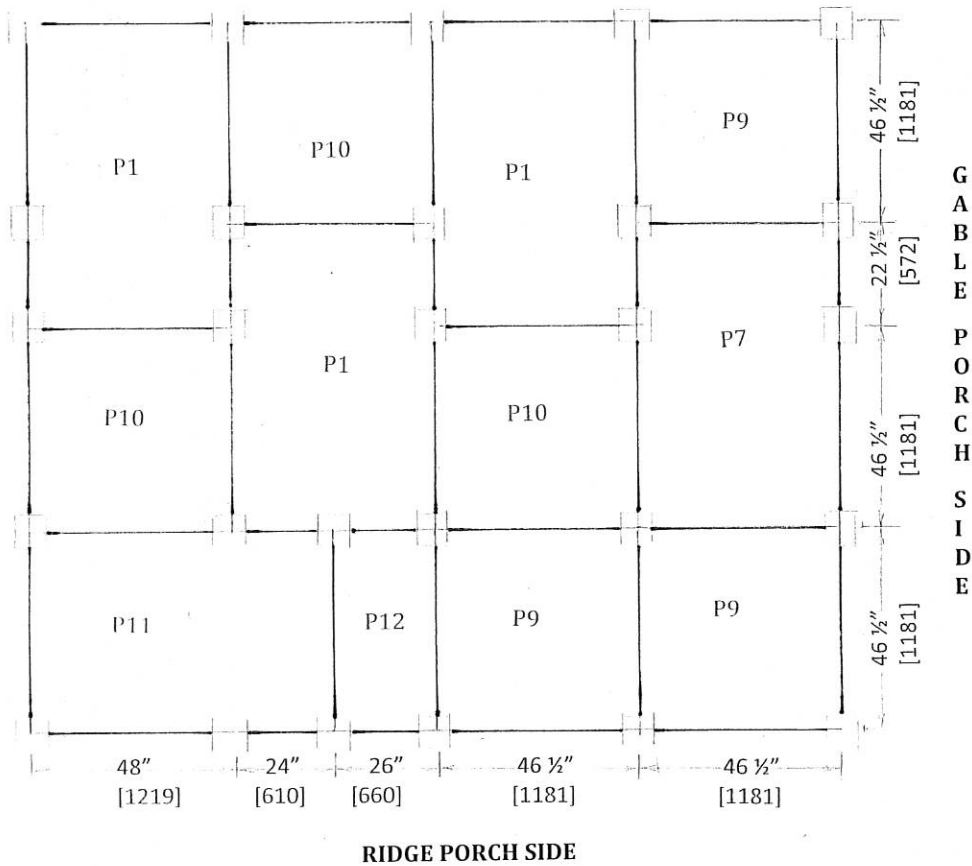
DO NOT CUT any parts until you check with a CedarShed support team member.

For this model the stages of construction are as follows:

1. JOIST BOX ASSEMBLY
2. JOIST STRUCTURE ASSEMBLY
3. LEVELING OF JOIST STRUCTURE
4. INSTALLATION OF PLYWOOD FLOORING AND DECK BOARDS
5. STAGE 1 - WALL INSTALLATION
6. STAGE 1 - TRIM INSTALLATION
7. STAGE 2 - WALL INSTALLATION
8. TOP PLATE INSTALLATION
9. STAGE 1 - ROOF INSTALLATION
10. STAGE 2 - ROOF INSTALLATION
11. STAGE 2 - TRIM INSTALLATION
12. STAGE 3 - TRIM INSTALLATION
13. STAGE 4 - TRIM INSTALLATION
14. FINISHING TOUCHES

# BEARING POINTS FOR 1614 AND BUILDING THE FLOOR JOIST BOXES

**RIGHT WRAP AROUND JOIST BOX CONFIGURATION**



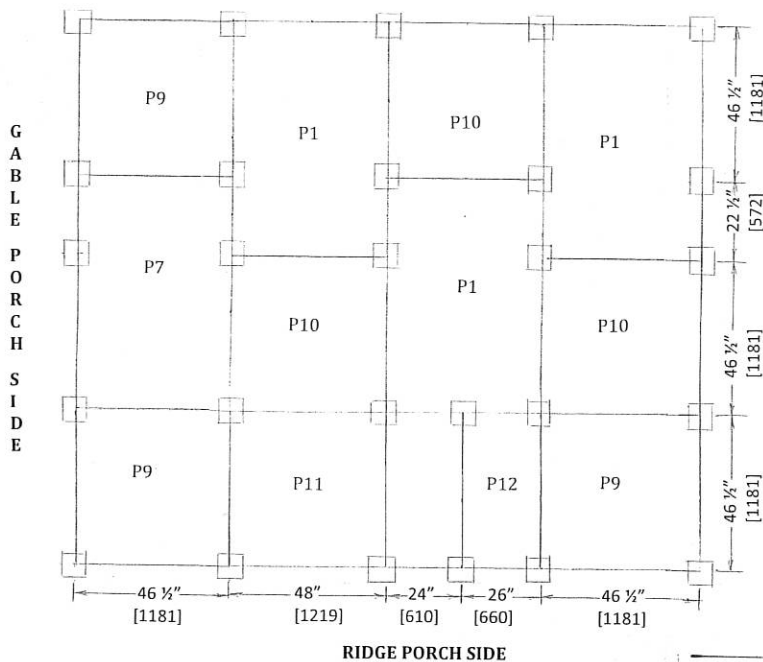
Each bearing point represents a spot where the joist boxes intersect each other. Using a cement block at each of these points, level the joist structure once the joist boxes have been affixed together. Use the diagram above to plot the bearing points on your building site. Please note that these are the minimum number of bearing points and you may wish to use additional cement blocks as need would justify.

## DECIDING ON THE ORIENTATION OF YOUR WRAP AROUND PORCH

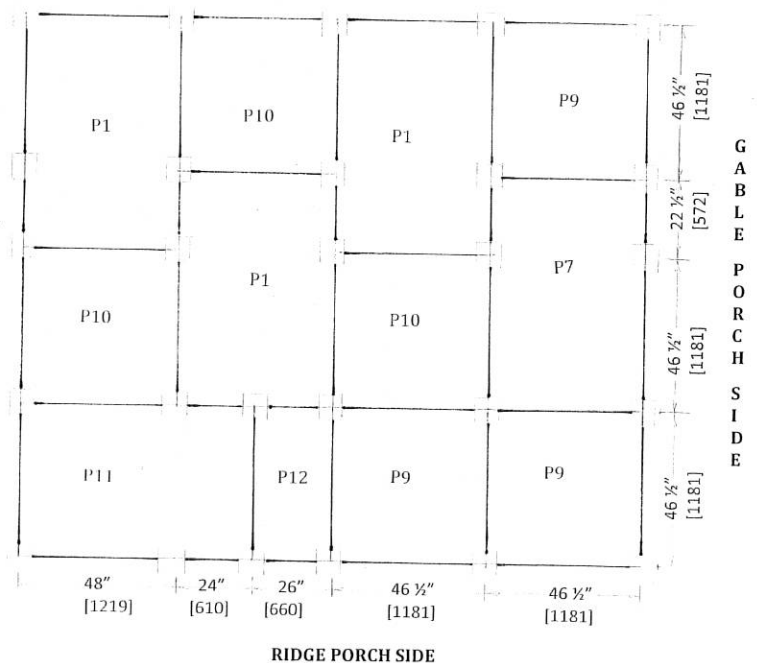
The wrap around porch can be oriented to wrap around the right or left side of your shed. The assembly of the joist boxes will dictate which side the gable porch will be located.

Please see the two diagrams below for details. The remainder of the diagrams in this manual will show the gable porch being wrapping around the right side of the shed. If you desire to have the gable porch wrap around the left side please make the required adjustments.

**LEFT WRAP AROUND JOIST BOX CONFIGURATION**



**RIGHT WRAP AROUND JOIST BOX CONFIGURATION**



PART #	DESCRIPTION	DIMENSIONS (where app.)	# OF PCS
<b>JOIST PARTS</b>			
P-2423	joist	2 x 4 x 23	4
P-2443G	joist	2 x 4 x 43 1/2	19
P-2445	joist	2 x 4 x 45	30
P-2446G	joist	2 X 4 x 46 1/2	16
P-2469	joist	2 x 4 x 69	12
P-G4B34G	joist trim board	1/2 x 4 1/8 x 34 1/2	2
P-G4B46G	joist trim board	1/2 x 4 1/8 x 46 1/2	1

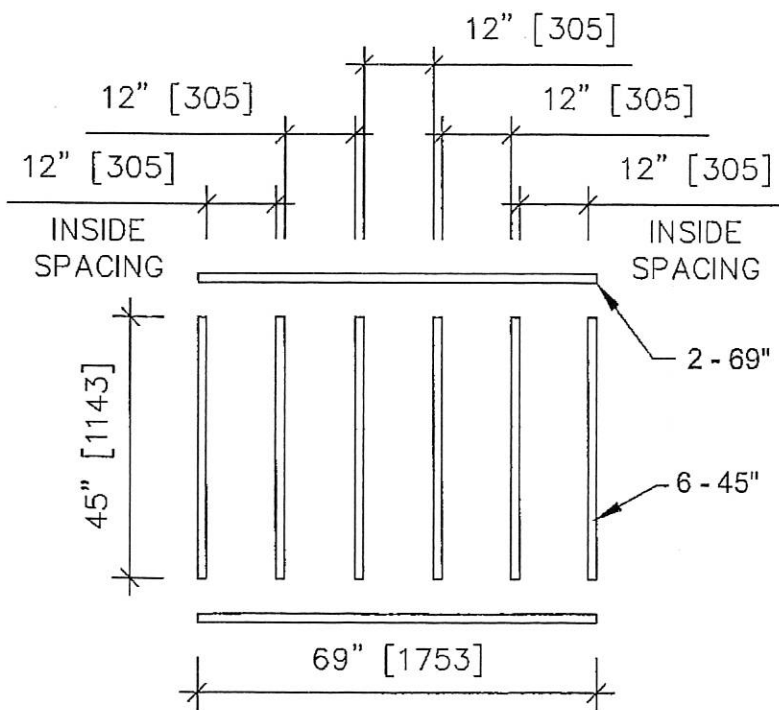
## BUILDING JOIST BOXES

By using the joists parts outlined above and the instructions in the next few pages, assemble the joist boxes accordingly. There are various sizes of joist boxes that make up the joist structure. The number of each joist box is outlined in the table below.

<b>JOIST BOXES REQUIRED FOR THIS MODEL</b>		
JOIST BOX #	Joist Box Size	# of Boxes Req'd
P1	69" x 48"	3
P7	69" x 46 1/2"	1
P9	46 1/2" x 46 1/2"	3
P10	46 1/2" x 48	3
P11	46 1/2" x 72	1
P12	46 1/2" x 24	1

# JOIST BOX ASSEMBLY

Lay the joist parts out as per Fig P1 - 1. Using 2 - 3" screws per joint, assemble the joist box together as per Fig P1 - 2. The completed joist box is pictured in Fig P1 - 3.



69" x 45" floor panel layout.

Fig. P1 - 1

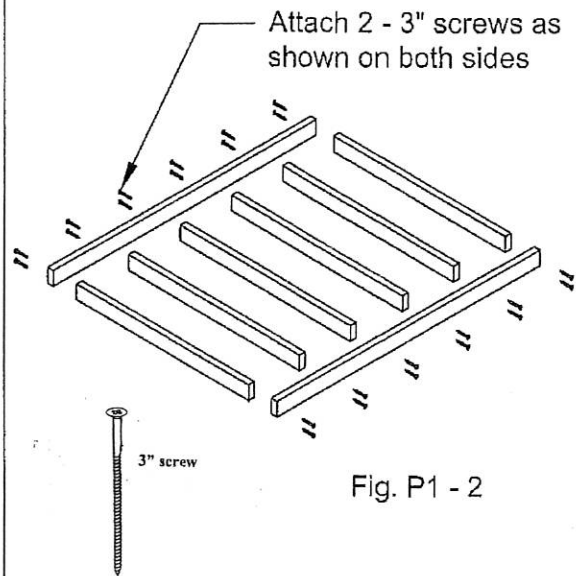


Fig. P1 - 2

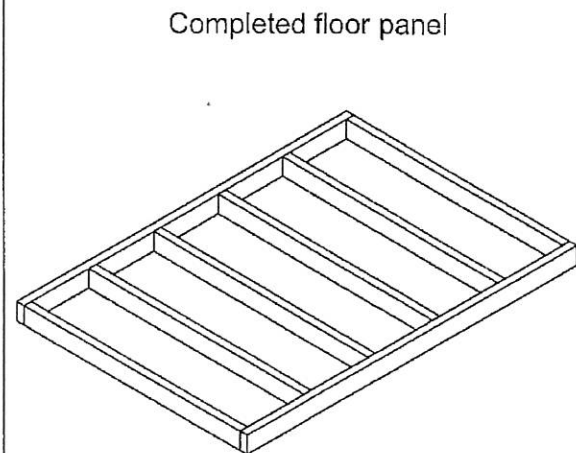
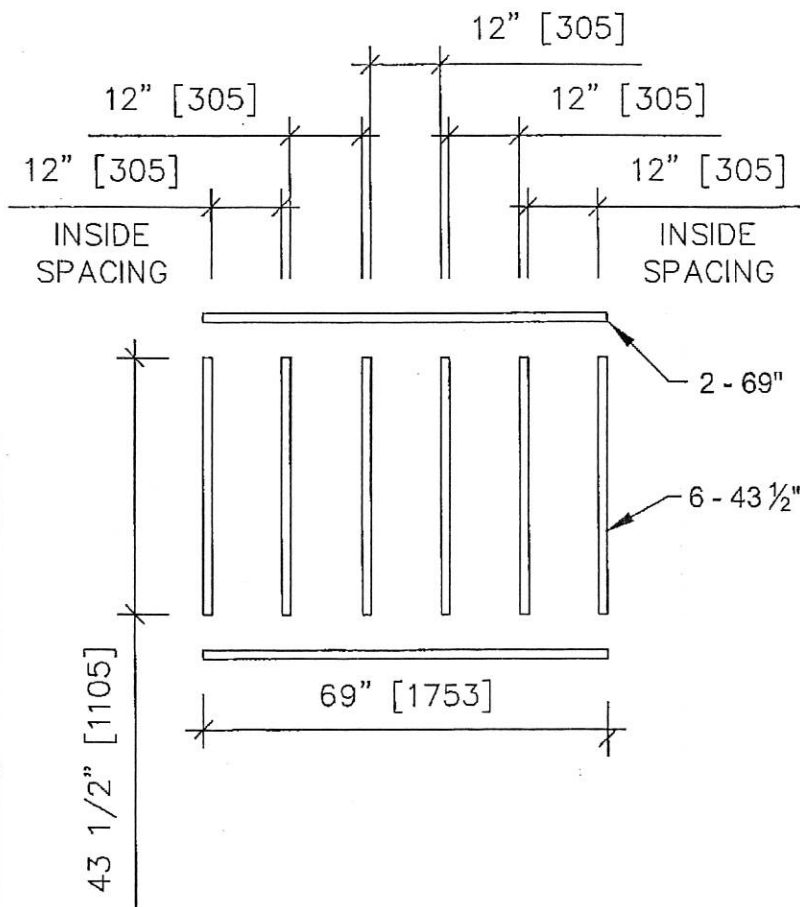


Fig. P1-3

# JOIST BOX ASSEMBLY

Lay the joist parts out as per Fig P7 - 1. Using 2 - 3" screws per joint, assemble the joist box together as per Fig P7 - 2. The completed joist box is pictured in Fig P7 - 3.



69" x 46 1/2" floor panel layout.  
Fig. P7 - 1

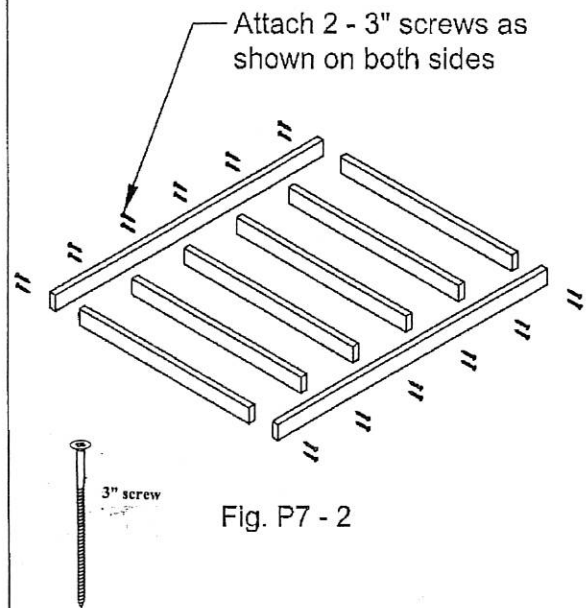


Fig. P7 - 2

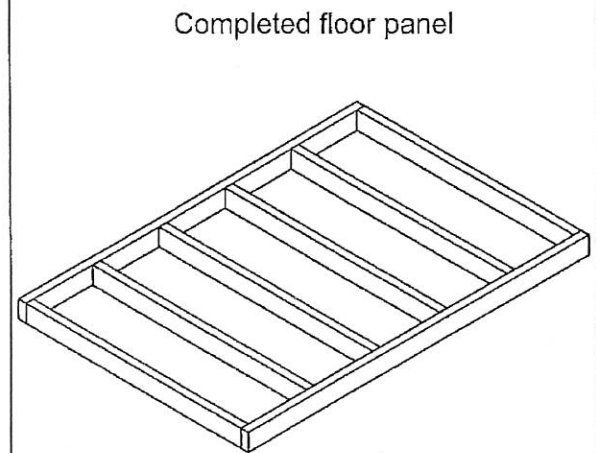
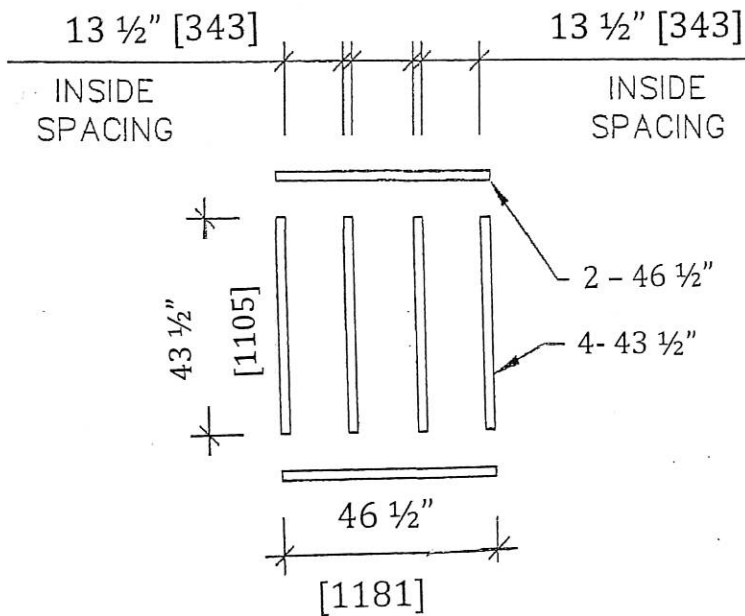


Fig. P7 - 3



# JOIST BOX ASSEMBLY

Lay the joist parts out as per Fig. P9-1. Using 2- 3" screws per joint, assemble the joist box together as per Fig P9-2. The completed joist box is pictured in Fig. P9-3.



46 1/2" x 46 1/2" joist box layout

Fig P9-1

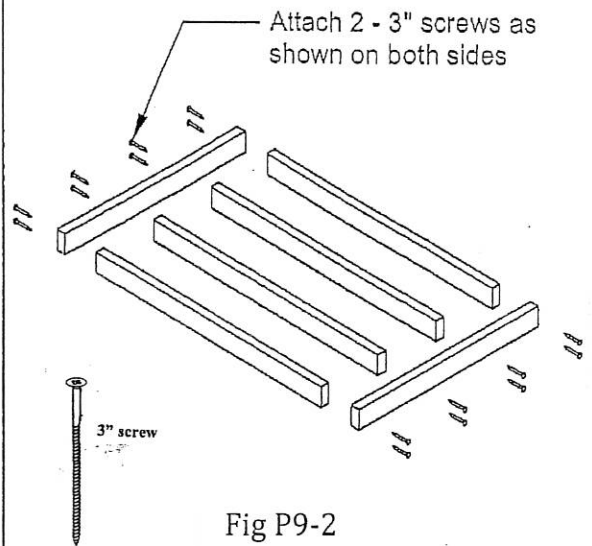


Fig P9-2

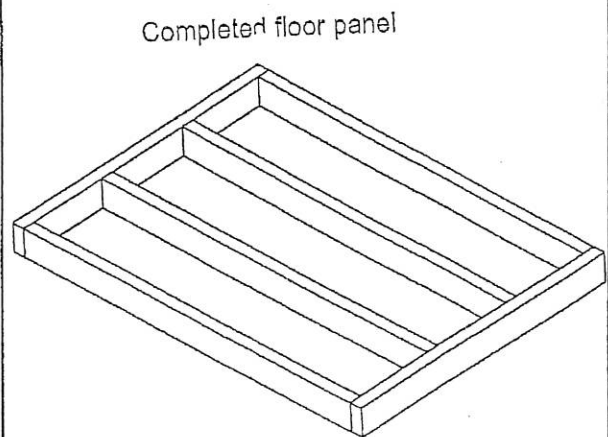
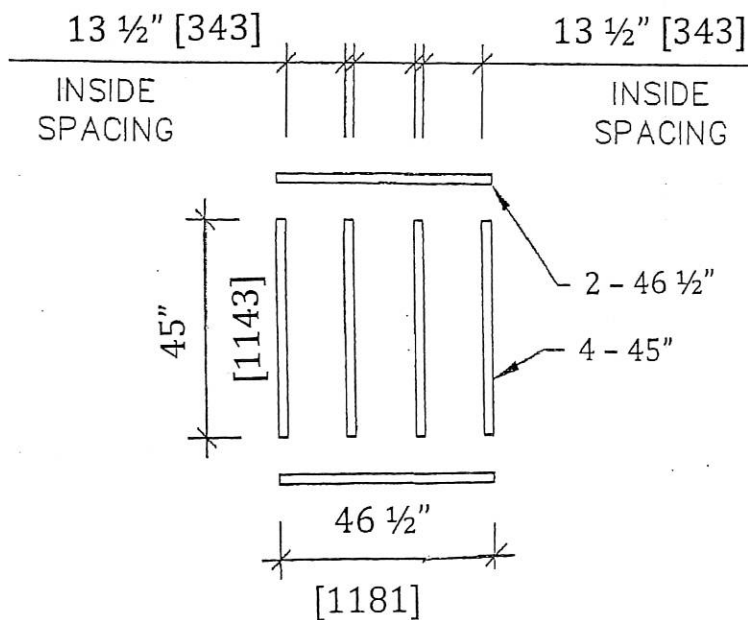


Fig P9-3

# JOIST BOX ASSEMBLY

Lay the joist parts out as per Fig. P10-1. Using 2- 3" screws per joint, assemble the joist box together as per Fig P10-2. The completed joist box is pictured in Fig. P10-3.



46 1/2" x 48" joist box layout

Fig P10-1

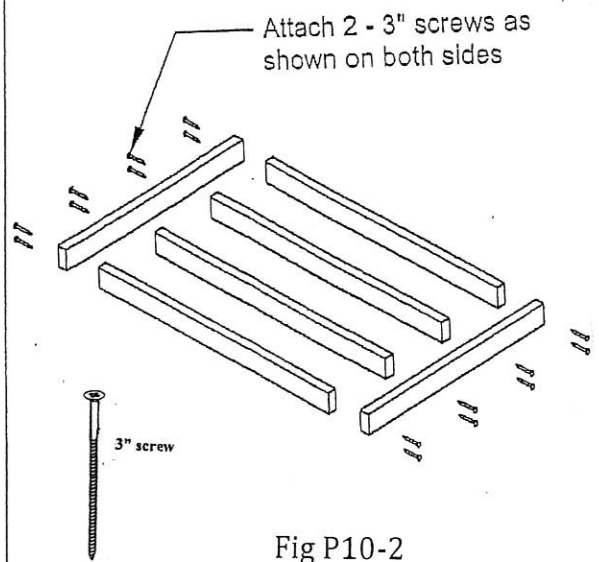


Fig P10-2

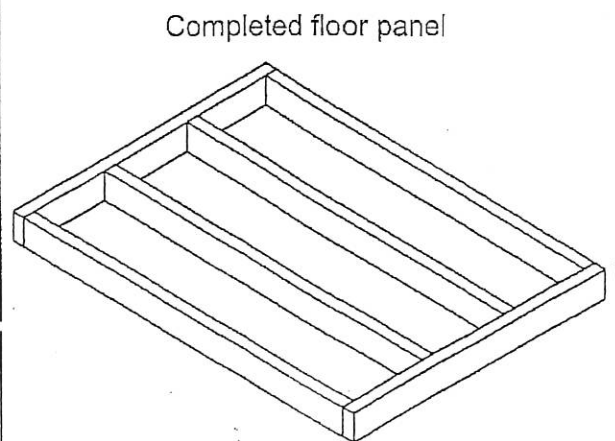
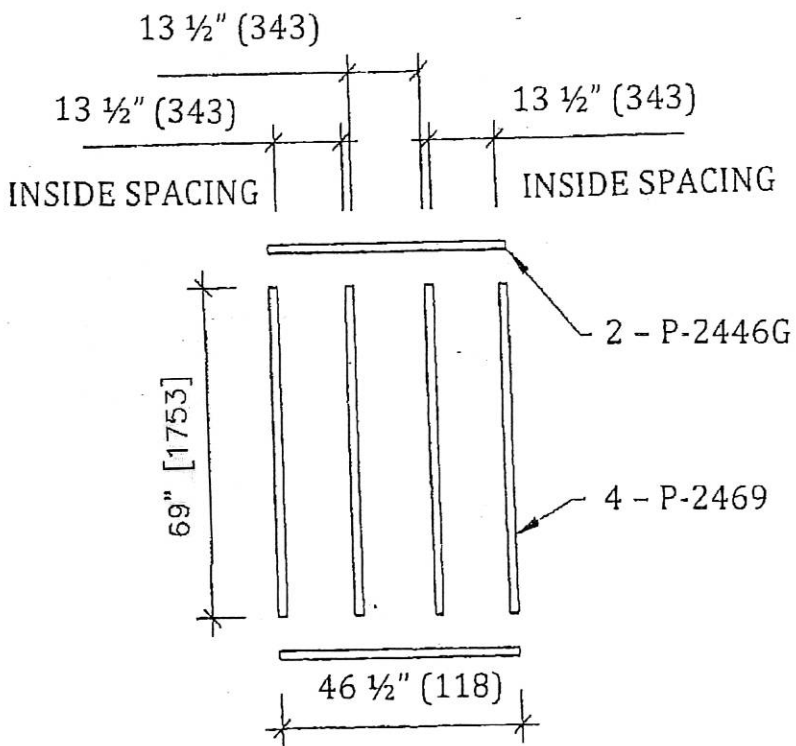


Fig P10-3

46 1/2" X 72" Joist Box - P11

# JOIST BOX ASSEMBLY

Lay the joist parts out as per Fig P11-1. Using 2-3" screws per joist assemble the joist box together as per Fig. P-11-2. The completed joist box is pictured in Fig. P11-3



46 1/2" x 72" floor panel layout.

Fig P11-1

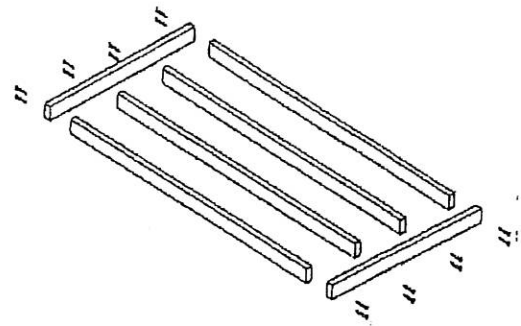
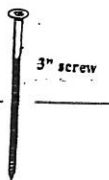


Fig P11-2



3" screw

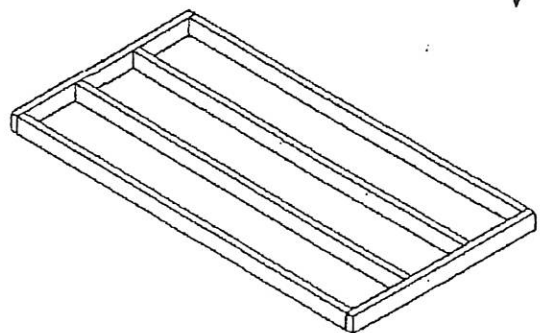
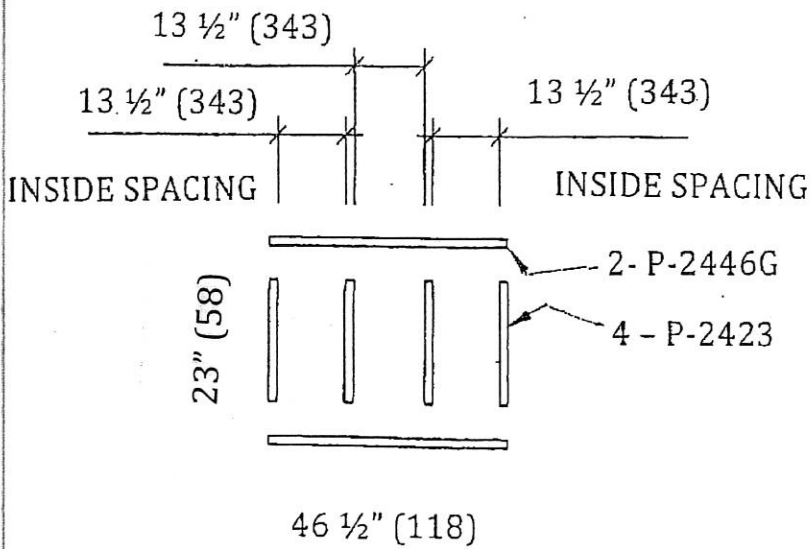


Fig. P11-3

46 1/2" X 26" Joist Box - P12

# JOIST BOX ASSEMBLY

Lay the joist parts out as per Fig. P12-1. Using 2-3" screws per joist assemble the joist box together as per Fig 12-2. The completed joist box is pictured in Fig. P12-3.



46 1/2" x 26" floor panel layout

Fig P12-1

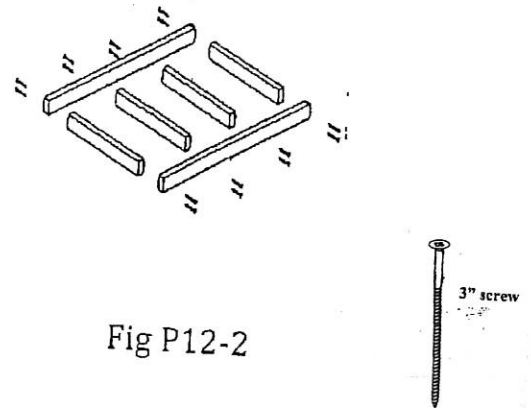


Fig P12-2

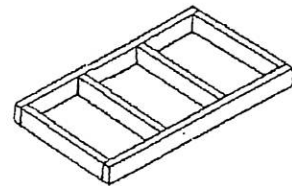
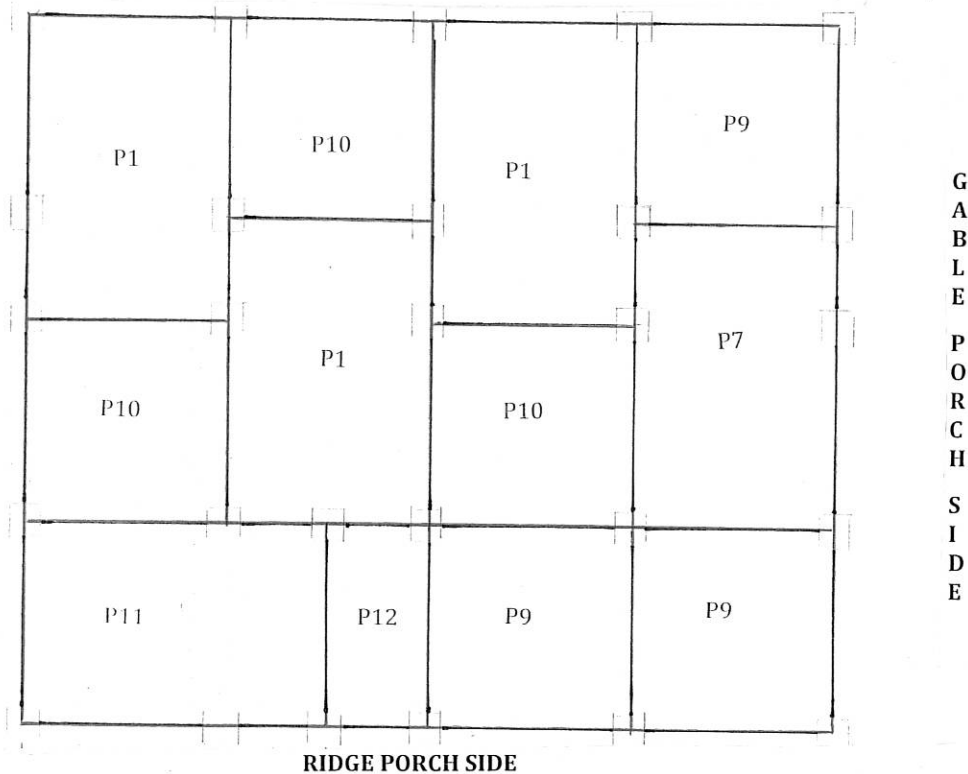


Fig. P12-3

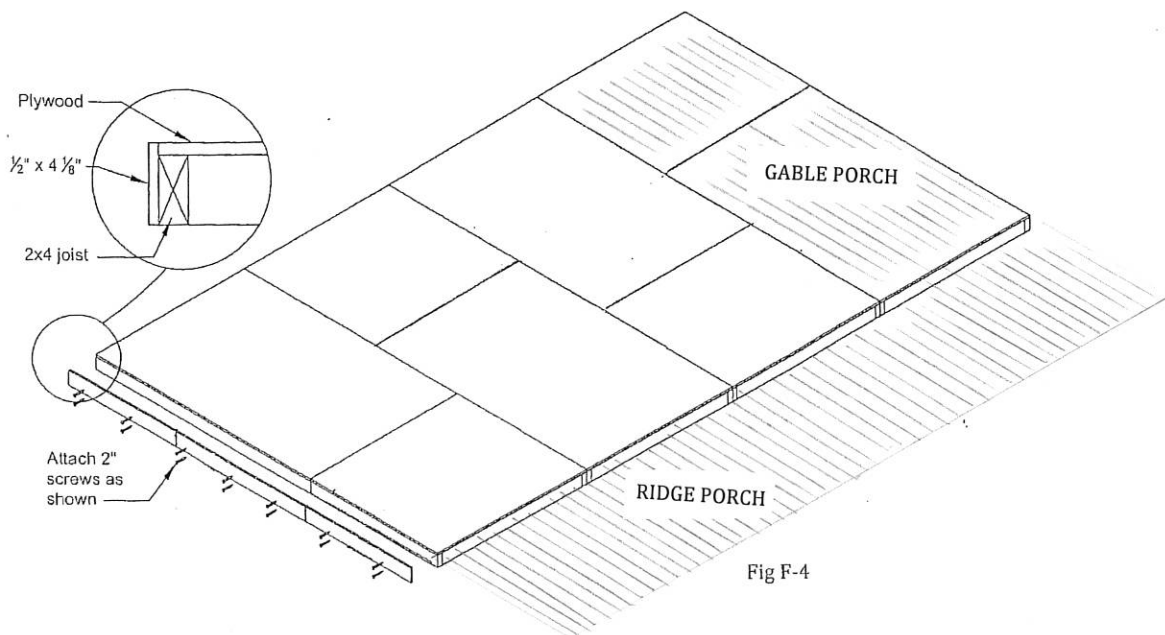




## COMPLETING THE FLOOR JOIST STRUCTURE

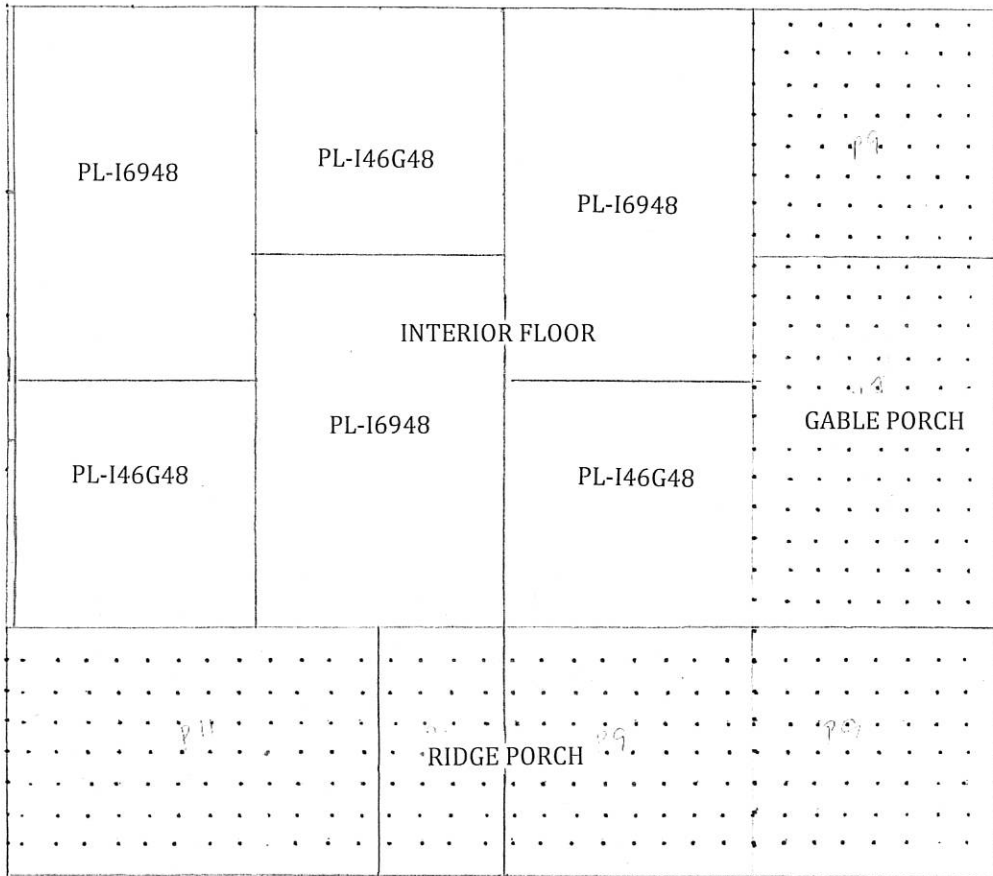
Take the joist boxes and affix them as per the diagram above. Make sure you keep the orientation of the ridge and gable porch in mind when doing this. Use 3" screws every 12" to affix all the joist boxes together. Once complete, lay the joist structure on top of the building site and level the joist structure on top of the cement blocks. Please use the cedar packaging blocks to assist in the levelling process. Make sure when level the joist structure clears the ground. This will allow the proper air circulation to prevent dry rot occurring on the joist structure.

There may be a need to affix joist trims on your specific model. If it is needed the diagram below will show details of how this is to be done.



## INSTALLATION OF PLYWOOD PANELS AND RIDGE AND GABLE PORCH DECKING

The next few pages will outline the steps to install the plywood flooring and the deck boards to the ridge and gable porch areas.



PART #	DESCRIPTION	DIMENSIONS (where app.)	# OF PCS
<b>FLOOR PLYWOOD AND DECK BOARD PARTS</b>			
P-1246G	deck boards	1 x 2 x 46 1/2	1
P-1269	deck boards	1 x 2 x 69	1
P-1469	deck boards	1 x 4 x 69	13
P-1446G	deck boards	1 x 4 x 46 1/2	67
P-PL-I6948	plywood	5/8 x 48 x 69	3
P-PL-I46G48	plywood	5/8 x 46 1/2 x 48	3

## INSTALLATION OF PLYWOOD FLOORING & ADDITIONAL JOIST FOR GABLE PORCH SECTIONS

Now lay the plywood sheets over top of the joist frame. Each sheet of plywood (based on size) will lay over top of the various floor boxes that have been built and attached together. Then by using the 2" screws provided, affix each sheet using a screw every 12" on centre on each of the joist members (rows). As an example, to affix a 69" by 48" sheet to the joist frame would require 30 screws ( 6 joist members by 5 screws per row. See Fig 3 for details

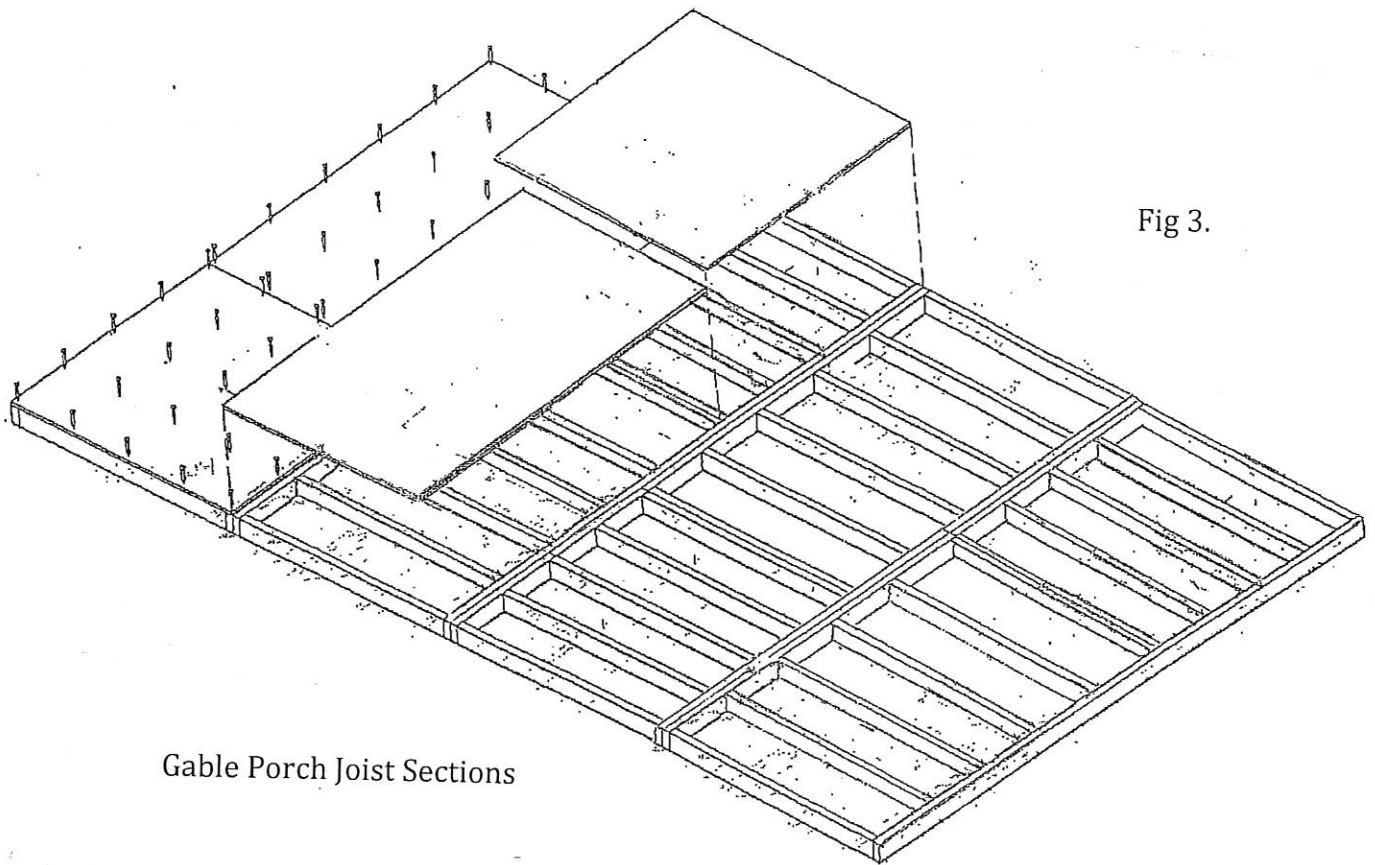


Fig 3.

Gable Porch Joist Sections

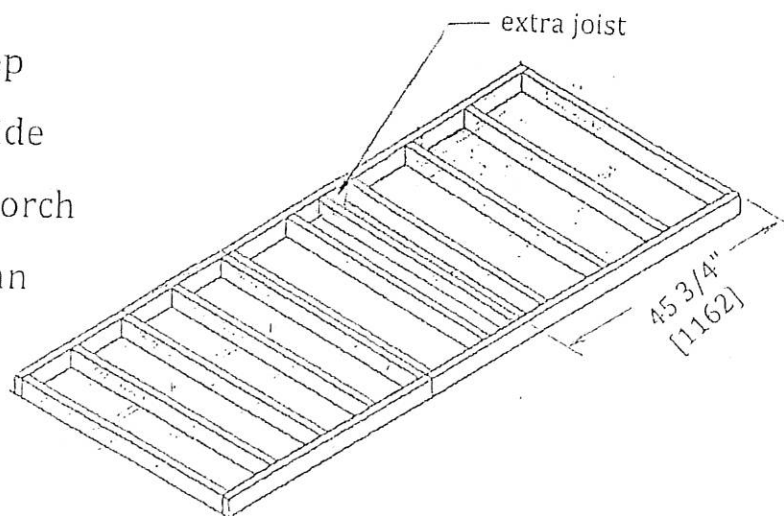
An extra joist needs to be installed in the gable porch joist boxes to give the porch decking a good nailing point.

4 ft deep

10 ft wide

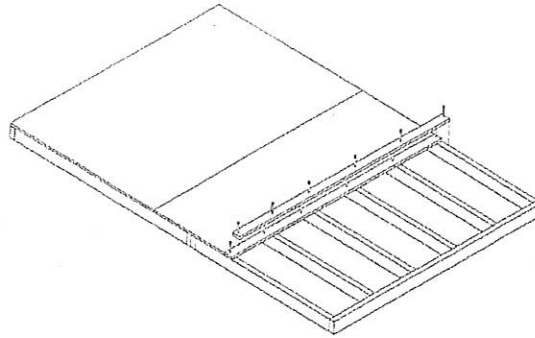
Cable Porch

Joist Plan

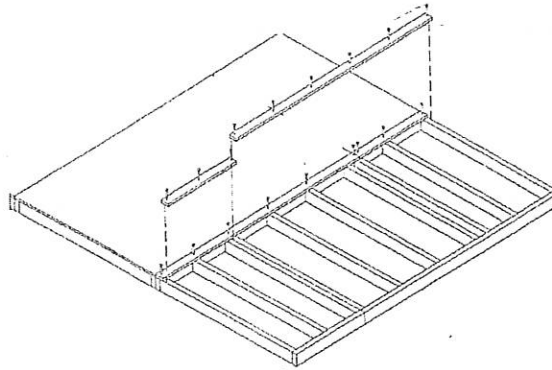


4. Lay the deck boards over top of the porch joist structure. See table below for the correct number of pieces. Refer to Fig. 4 for details.

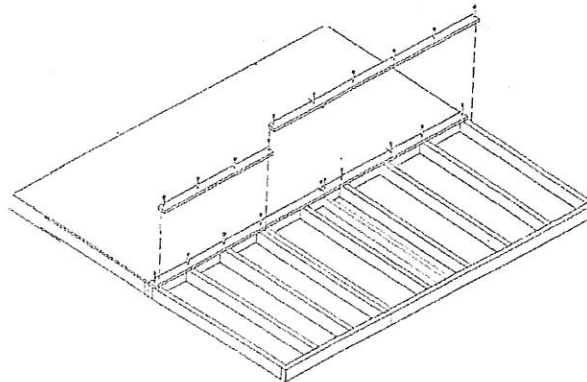
3 ft deep  
6 ft wide  
Gable Porch



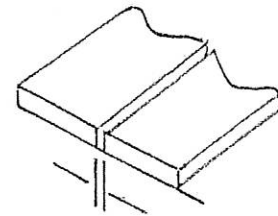
4 ft deep  
8 ft wide  
Gable Porch



4 ft deep  
10 ft wide  
Gable Porch



Deck Boards



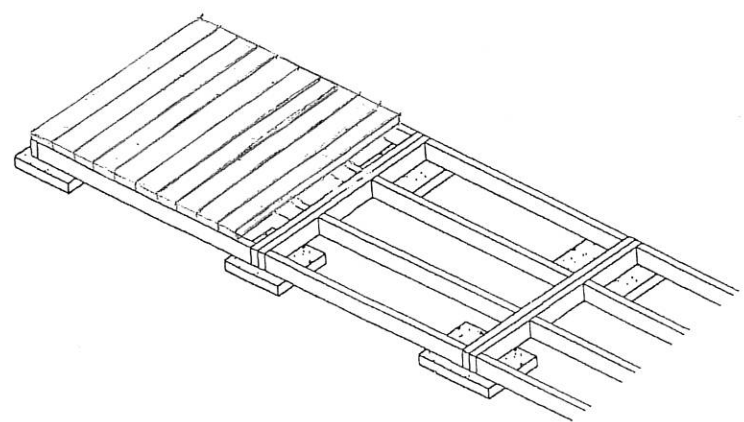
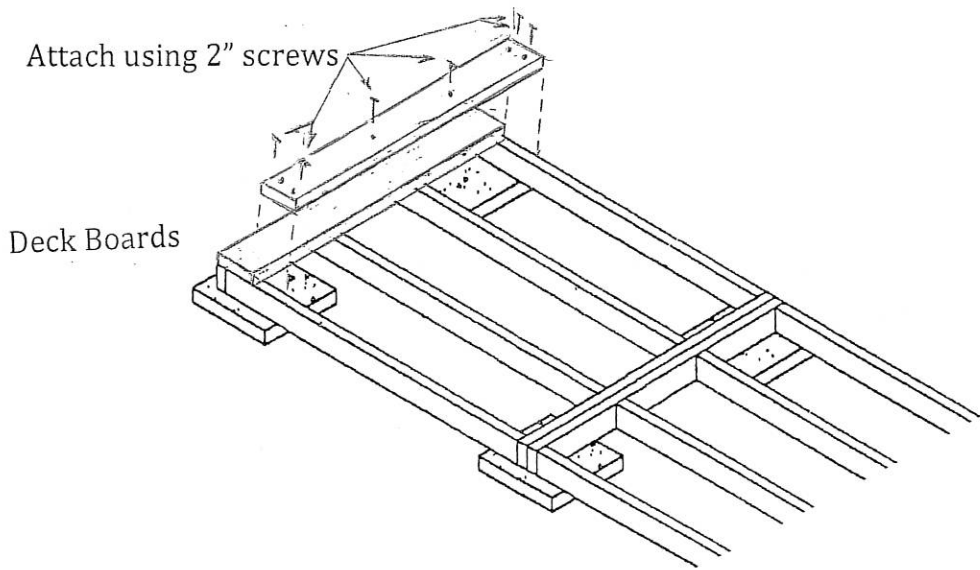
1/16" gap between boards

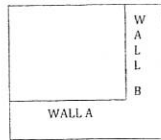
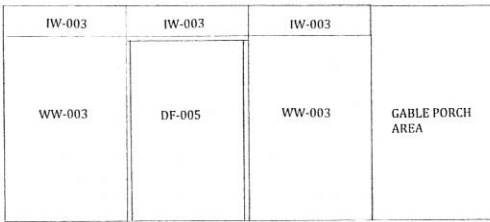
	# of boards based on width of:								
	2 1/2" wide			3 1/2" wide			5 1/2" wide		
length of boards	69"	46 1/2"	24"	69"	46 1/2"	24"	69"	46 1/2"	24"
SIZE OF PORCH									
6 ft wide-3 ft deep	<b>14</b>	0	0	<b>10</b>	0	0	<b>6</b>	0	0
8 ft wide-4 ft deep	<b>18</b>	0	<b>14</b>	<b>10</b>	0	<b>10</b>	<b>6</b>	0	<b>6</b>
10 ft wide-4 ft deep	<b>18</b>	<b>14</b>	0	<b>10</b>	<b>10</b>	0	<b>6</b>	<b>6</b>	0



Lay the 46 ½" long deck boards over top of the level floor joist structure. Use 2- 2" screws to attach the ends of each board and 1-2" screw to affix to the interior joist. The number of deck boards will vary based on the width of each board.

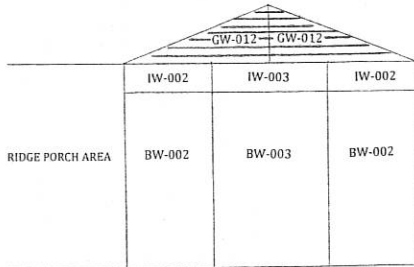
Size of deck	No of boards in 2 ½" width	No. of boards in 3 ½" width
9x4	44	31
12x4 (6)	57	41
12x4 (8)	57	41
16x4	76	54
20x4	95	67



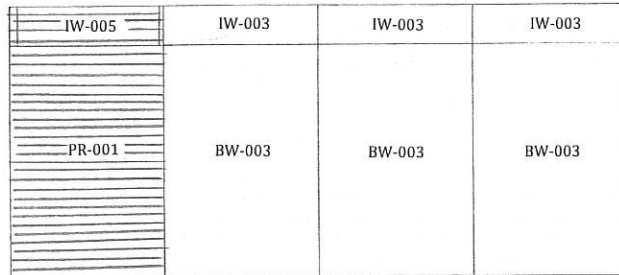


**NOTE : SHADED PANELS WILL BE INSTALLED IN STEP 2 - WALL INSTALLATION STEP.**

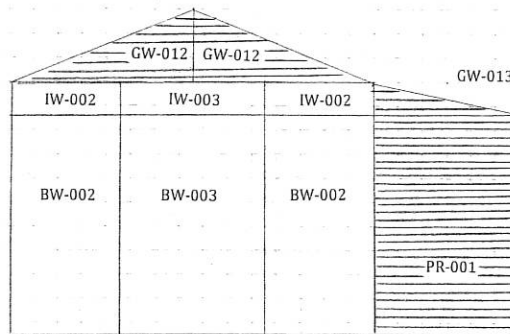
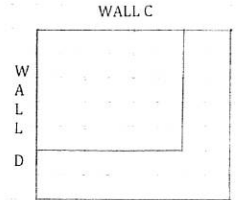
WALL A



WALL B



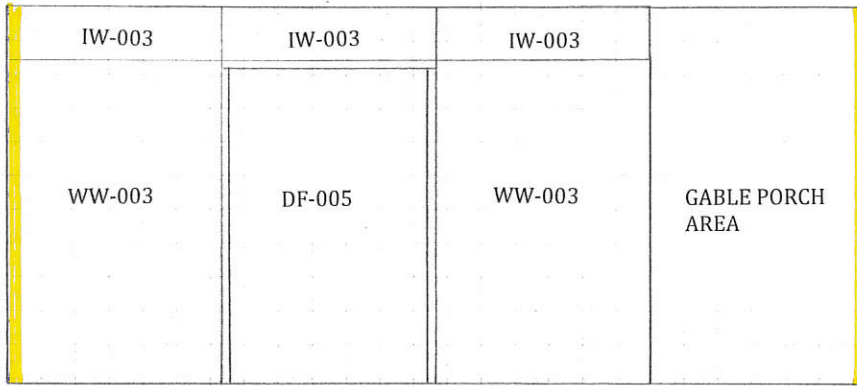
WALL C



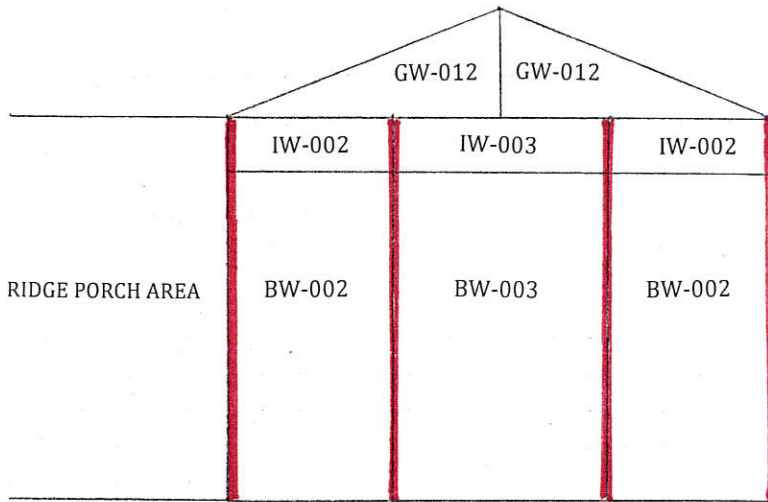
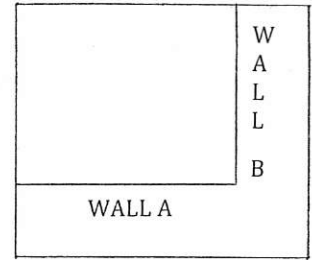
WALL D

**STAGE 1 - WALL INSTALLATION**

PART #	DESCRIPTION	DIMENSIONS (where app.)	# OF PCS	CODE
P-2334G	header	2 x 3 x 34 1/2	4	not shown
P-2346G	header	2 x 3 x 46 1/2	5	not shown
C-BW-002	wall panel	34 1/2" wall panel	4	BW-002
C-BW-003	wall panel	46 1/2" wall panel	5	BW-003
C-IW-003	in-fill wall	12" x 46 1/2"	8	IW-003
C-IW-002	in-fill wall	12" x 34 1/2"	4	IW-002
C-DF-005	door frame (vertical)	door frame	1	DF-020
C-WW-003	window wall	46 1/2" window panel	2	WW-005



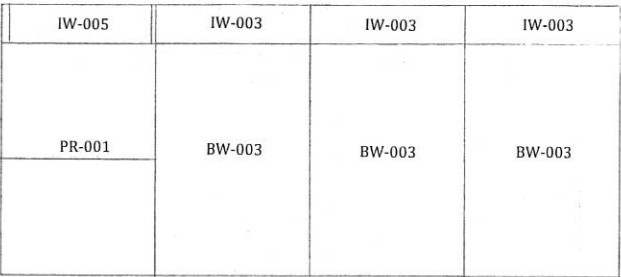
WALL A



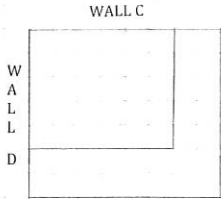
WALL B

**STAGE 1 - TRIM INSTALLATION**

PART #	DESCRIPTION	DIMENSIONS (where app.)	# OF PCS	CODE
P-13C91	corner trim*	1 x 3 1/4 x 87	2	
P-1292C	trim*	1 x 2 x 88 1/4	4	

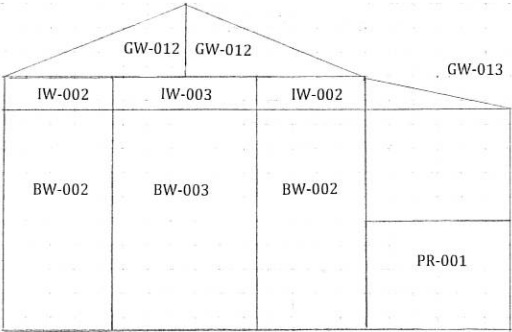


WALL C

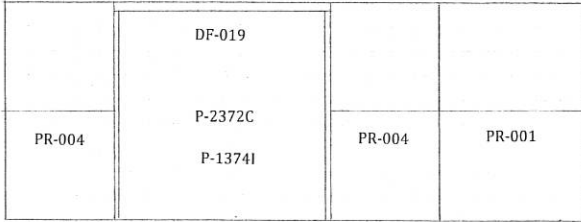


WALL C

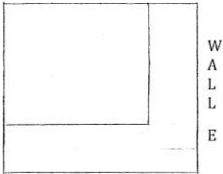
W  
A  
L  
L  
D



WALL D

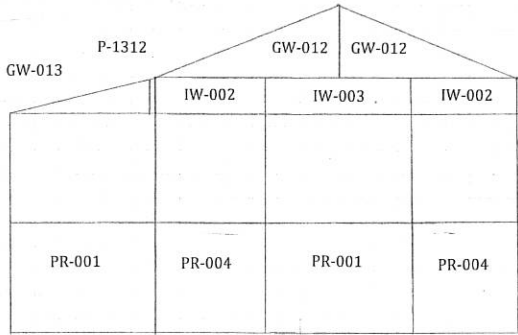


WALL F



WALL F

W  
A  
L  
L  
E

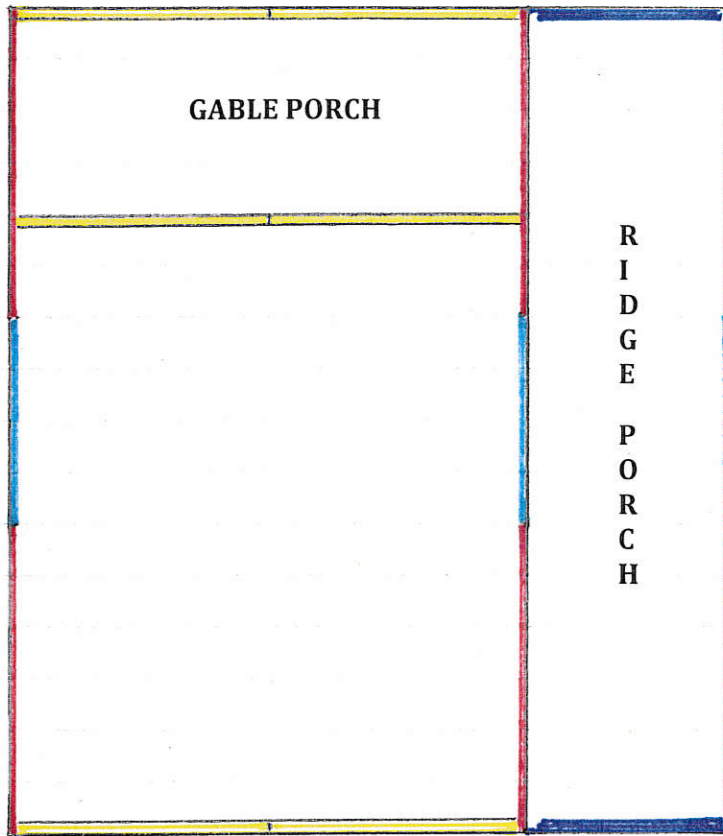


WALL E

**STAGE 2 - WALL INSTALLATION**

PART #	DESCRIPTION	DIMENSIONS (where app.)	# OF PCS	CODE
C-PR-001	porch section	45 3/4 x 74 3/4	5	PR-001
C-PR-004	porch section	33 3/4 x 74 3/4	4	PR-004
P-2372C	door post	2 x 3 x 72 1/4	2	P-2372C
C-DF-019	horizontal door frame	2 1/2 x 72 3/4	1	DF-019
C-IW-003	in-fill wall	12" x 46 1/2"	1	IW-003
C-IW-002	in-fill wall	12" x 34 1/2"	2	IW-002
C-IW-005	in-fill wall	12" x 43 1/4"	1	IW-005
C-GW-013	gable walls	12" x 46 1/2"	2	GW-013
P-1312	trim	1 x 3 x 12	1	P-1312

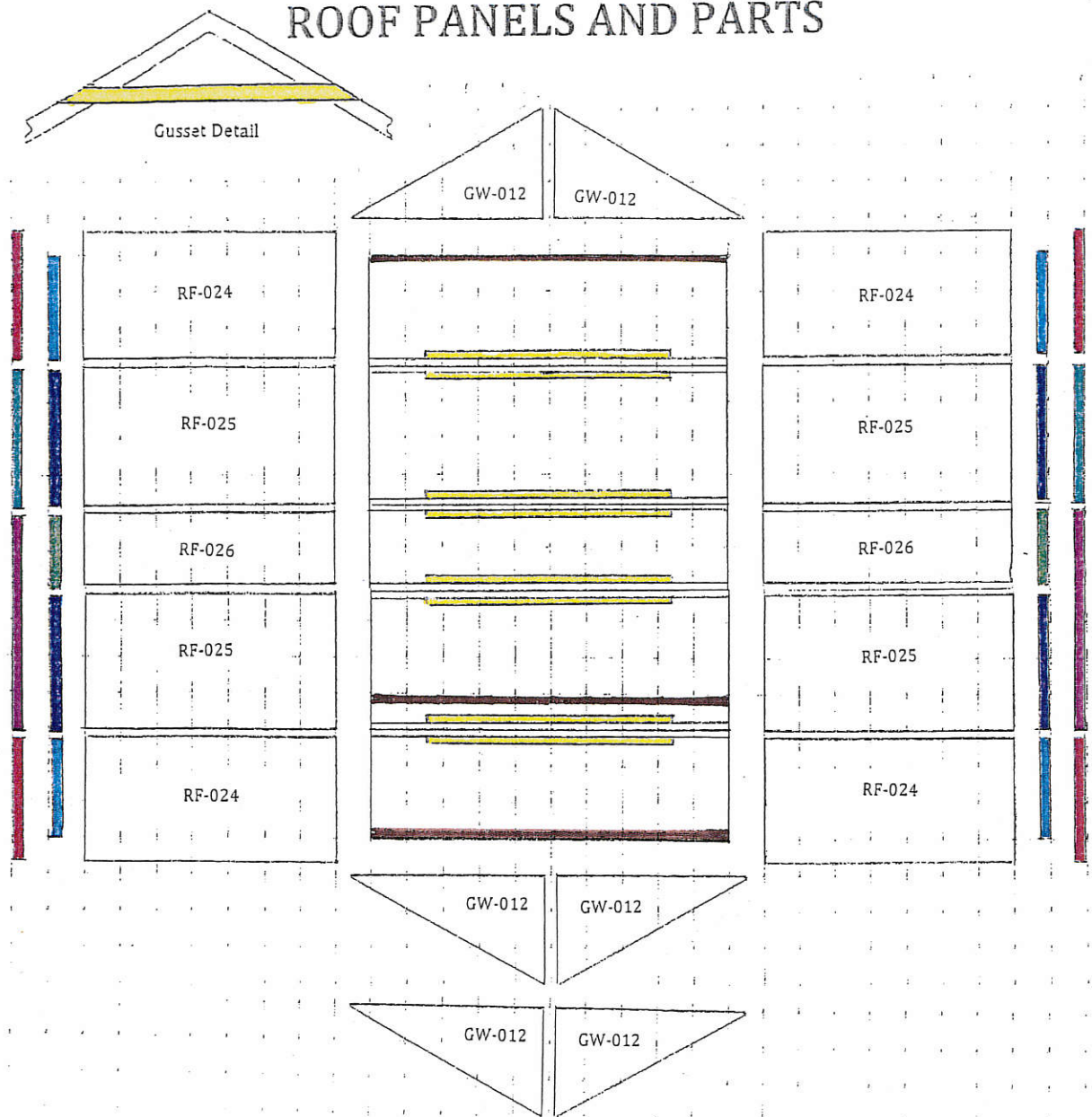




### TOP PLATE INSTALLATION

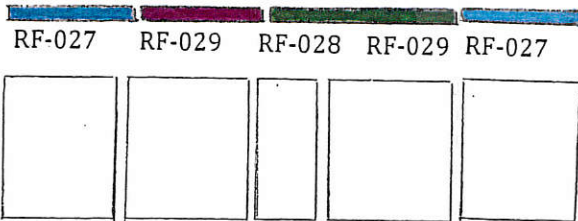
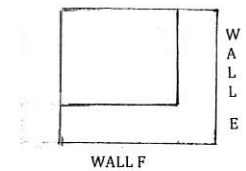
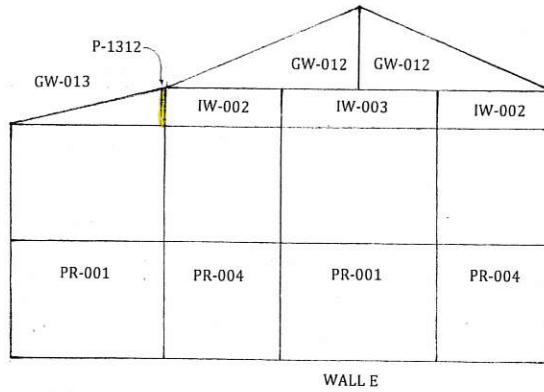
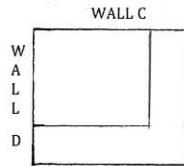
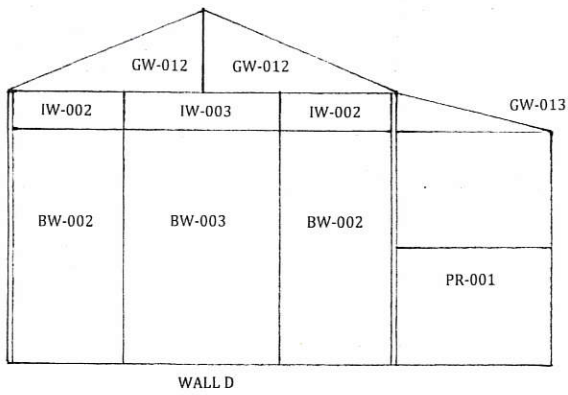
PART #	DESCRIPTION	DIMENSIONS (where app.)	# OF PCS	CODE
P-2343C	top plate	2 x 3 x 43 1/4	2	
P-2346G	top plates	2 x 3 x 46 1/2	3	
P-2355C	top plates	2 x 3 x 55 1/4	6	
P-2372C	top plates	2 x 3 x 72 1/4	6	
P-2343C	top plate location	2 x 3 x 43 1/4	2	
P-2346G	top plate location	2 x 3 x 46 1/2	3	
P-2355C	top plate location	2 x 3 x 55 1/4	6	
P-2372C	top plate location	2 x 3 x 72 1/4	6	

# ROOF PANELS AND PARTS



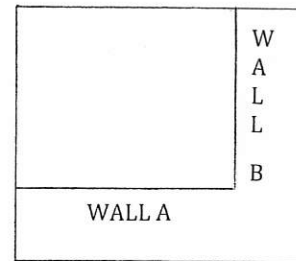
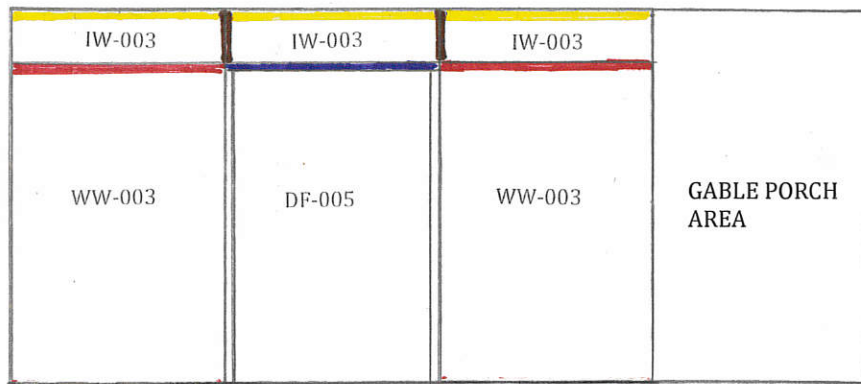
## STAGE 1 - ROOF INSTALLATION

PART #	DESCRIPTION	DIMENSIONS (where app.)	# OF PCS	CODE
P-2371KYb	gusset	2 x 3 x 71 3/4	10	
C-GW-012	gable wall	shed gable	6	GW-012
C-RF-024	roof panel	42 3/4 x 67 1/8	4	RF-024
C-RF-025	roof panel	46 1/2 x 67 1/8	4	RF-025
C-RF-026	roof panel	24 x 67 1/8	2	RF-026
P-B-G424	soffits	1/2 x 4 x 24	2	
P-B-G437	soffits	1/2 x 4 x 37	4	
P-B-G446G	soffits	1/2 x 4 x 46 1/2	4	
P-1442	fascia	1 x 4 x 42	4	
P-1446G	fascia	1 x 4 x 46 1/2	2	
P-1470G	fascia	1 x 4 x 70 1/2	2	
P-H-RFLT12	roofing felt	1 ft x 5 ft	7 sq ft	not shown
P-H-RCAP24	ridge caps	24"	25	not shown
P-H-MFLASS	roof flashing	3" x 12"	68	not shown
	gable locations			

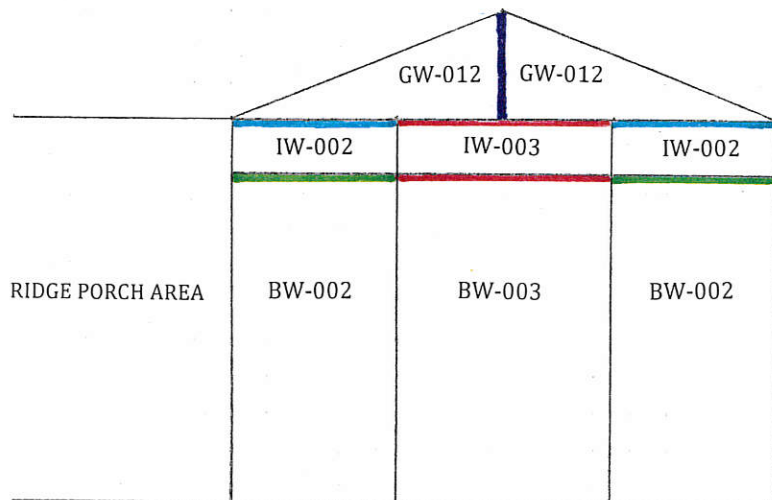


**STAGE 2 - ROOF INSTALLATION**

PART #	DESCRIPTION	DIMENSIONS (where app.)	# OF PCS	CODE
C-GW-013	gable wall	small ridge porch gable	2	GW-013
C-RF-027	roof panel	42 3/4 x 47	2	RF-027
C-RF-028	roof panel	24 X 47	1	RF-028
C-RF-029	roof panel	46 1/2 x 47	2	RF-029
P-1442	fascia	1 x 4 x 42	2	
P-1446G	fascia	1 x 4 x 46 1/2	1	
P-1470G	fascia	1 x 4 x 70 1/2	1	
P-1312	trim	1 x 3 x 12	1	



WALL A



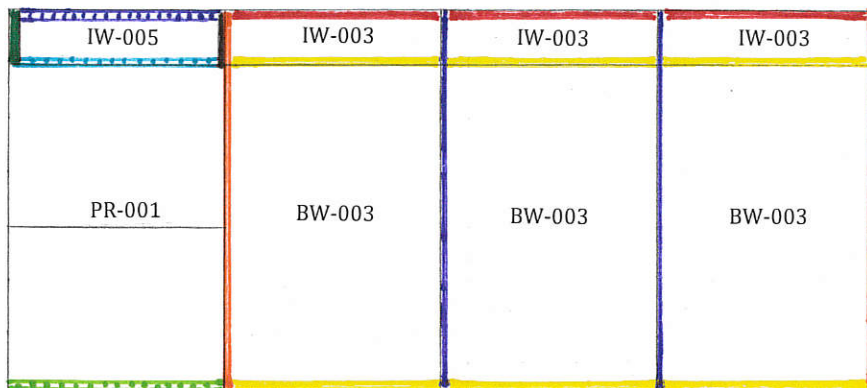
WALL B

**STAGE 2 - TRIM INSTALLATION**

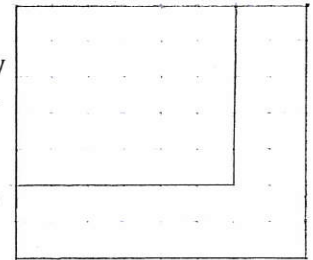
PART #	DESCRIPTION	DIMENSIONS (where app.)	# OF PCS	CODE
<b>Trim</b>				
P-1226	gable trim	1 x 2 x 26	1	
P-1210K	trim	1 x 2 x 10 3/4	2	
P-B-G633	skirting	1/2 x 6 x 33	2	
P-B-G633	notched bevel	1/2 x 6 x 33	2	
P-B-G445	skirting	1/2 x 4 x 45	3	
P-B-G645	skirting	1/2 x 6 x 45	4	
P-1448	door trim	1 x 4F x 48	1	



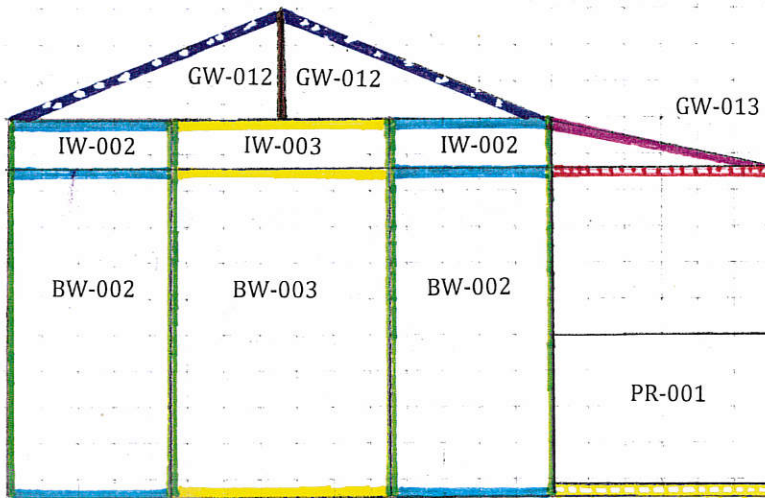
WALL C



W  
A  
L  
L  
C



WALL C

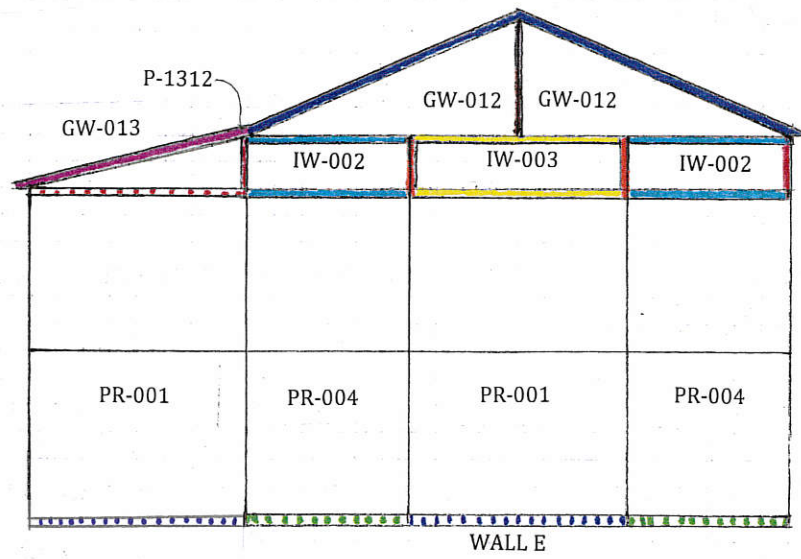
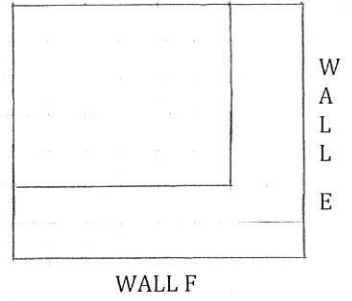
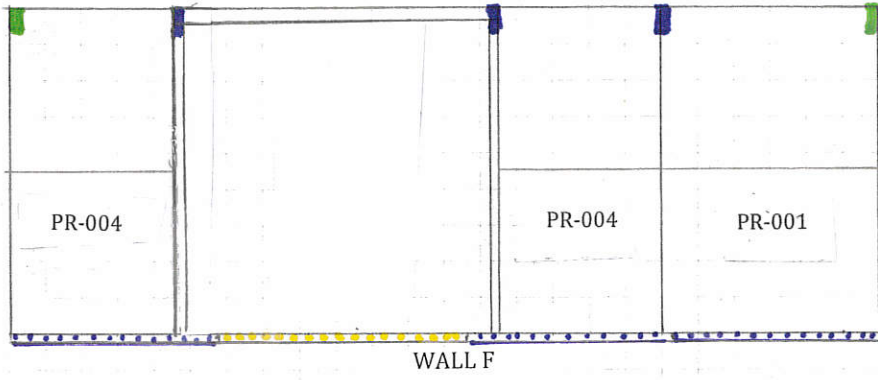


WALL D







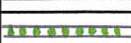
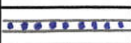



**STAGE 3 - TRIM INSTALLATION**

PART #	DESCRIPTION	DIMENSIONS (where app.)	# OF PCS	CODE
<b>Trim</b>				
P-1226	gable trim	1 x 2 x 26	1	
P-13C91	corner trim	1 x 3 1/4 x 91	2	
P-1292C	trim	1 x 2 x 92 1/4	4	
P-1291	trim	1 x 2 x 91	2	
P-13C13G	porch trim	1 x 3 1/4 x 13 1/2	1	
P-1113G	porch trim	1 x 1 x 13 1/2	1	
P-B-G445	skirting	1/2 x 4 x 45	3	
P-B-G633	skirting	1/2 x 6 x 33	6	
P-B-645	skirting	1/2 x 6 x 45	9	
P-B-G441K	skirting	1/2 x 4 x 41 3/4	1	
P-B-G641K	skirting	1/2 x 6 x 41 3/4	1	
P-B-G646G	skirting	1/2 x 6 x 46 1/2	1	
P-14B46G	porch skirting	1 x 4 1/8 x 46 1/2	1	
P-14B45K	porch skirting	1 x 4 1/8 x 45 3/4	1	
P-1471YA	gable fascia	1 x 4 x 71	2	
P-1448GYg	gable porch fascia	1 x 4 x 48 1/2	1	

1614WRAP



**STAGE 4 - TRIM INSTALLATION**

PART #	DESCRIPTION	DIMENSIONS (where app.)	# OF PCS	CODE
<b>Trim</b>				
P-1226	gable trim	1 x 2 x 26	1	
P-1215	porch trim	1 x 2 x 15	4	
P-1412FX	porch trim	1 x 4F x 12	2	
P-1312FX	porch trim	1 x 3F x 12	3	
P-B-G633	skirting	1/2 x 6 x 33	4	
P-B-645	skirting	1/2 x 6 x 45	2	
P-B-646G	skirting	1/2 x 4 x 46 1/2	1	
P-14B35C	porch skirting	1 x 4 1/8 x 35 1/4	2	
P-14B46G	porch skirting	1 x 4 1/8 x 46 1/2	5	
P-14B53	porch skirting	1 x 4 1/8 x 53	1	
P-1471YA	gable fascia	1 x 4 x 71	2	
P-1448GYg	gable porch fascia	1 x 4 x 48 1/2	1	