

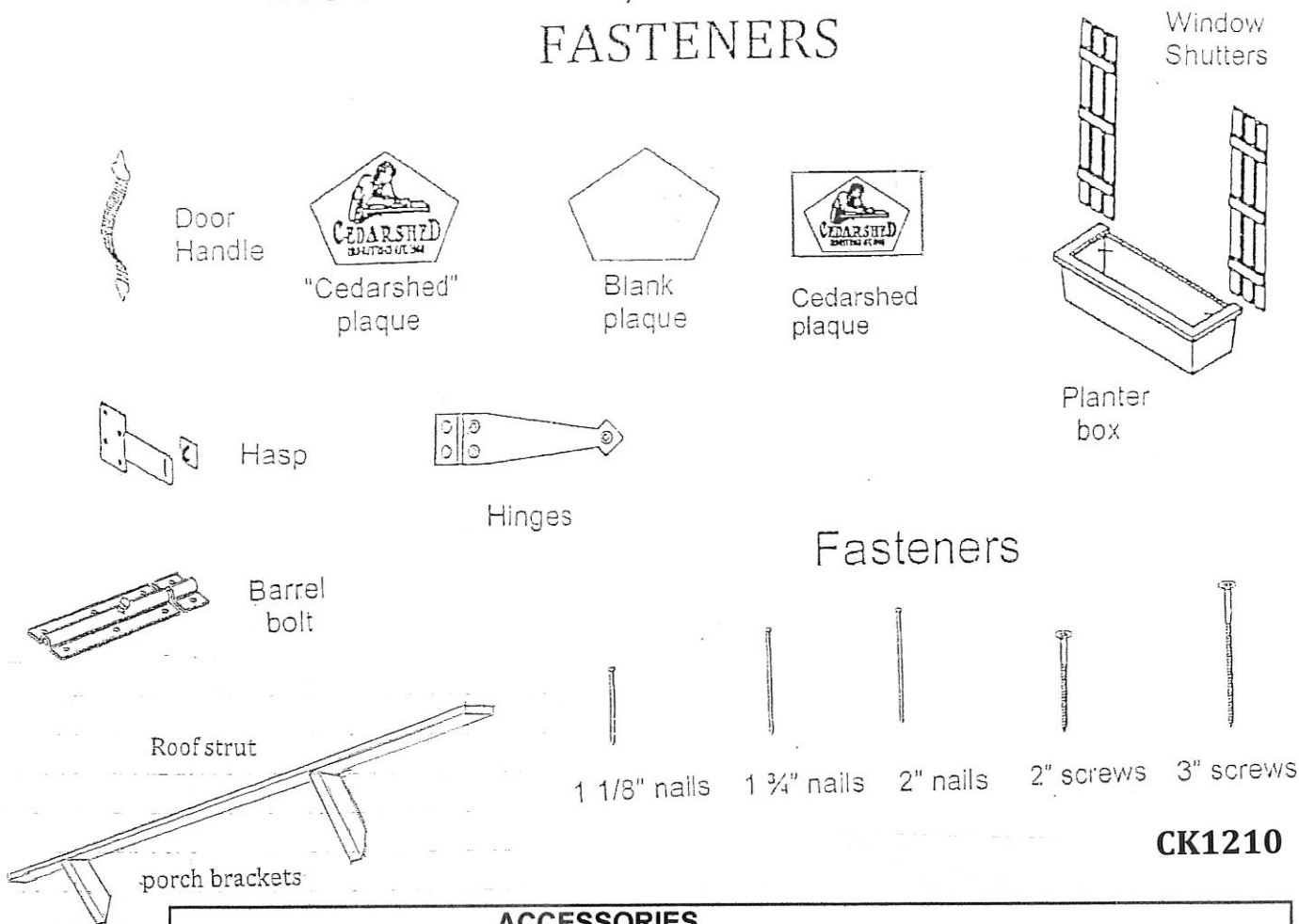
COOKHOUSE 12x10

12Ft x 10Ft

MODEL CK1210



ACCESSORIES, HARDWARE, AND FASTENERS



CK1210

ACCESSORIES			
P-H-PLAQL	Peak CS plaque	peak CS plaque	1
P-H-PLAQL	Peak Plaque	Peak Plaque	1
P-FW-001	window box	window box	2
P-SH-001	shutters	shutters	4
P-H-RFLT12	roofing felt	1 ft x 5 ft	5 sq ft
P-H-MFLASS	roof flashing	3" x 12"	37
P-1C672	roof strut	1F x 6 x 72	1
P-238Y	porch brackets	2 x 3 x 8	2
PART #	DESCRIPTION	DIMENSIONS (where app.)	# OF PCS
FASTENERS			
P-H-NL1.125	1 1/8" nails	1 1/8" nails	25
P-H-NL1.75	1 3/4" nails	1 3/4" nails	350
P-H-NL2	2" nails	2" nails	70
P-H-SC2	2" screws	2" screw	235
P-H-SC3	3" screws	3" screw	400
PART #	DESCRIPTION	DIMENSIONS (where app.)	# OF PCS
DOOR PARTS AND HARDWARE			
C-DR-013	Dutch door	Dutch door	1
P-1172G	door stop	1 x 1 x 72 1/2	2
P-1130G	door stop	1 x 1 x 30 1/2	1
P-H-DHAND	door handle	door handle	1
P-H-THINGE4	t-hinges	4 inch	4
P-H-HASP	hasp	hasp	1
P-H-BBLT	barrel bolt	barrel bolt	1

Instruction manual, questionnaire and driver bit

FarmHouse and CookHouse Models

(Wrap around porch models)

To build this model of shed, please use this Model Specific Instruction Manual along with the "ASSEMBLY INSTRUCTIONS FOR THE RIDGE PORCH OPTION, the "STANDARD SHED INSTRUCTION MANUAL", and the "PORCH GABLE INSTRUCTION MANUAL".

These four documents will give you all the information necessary to complete this project.

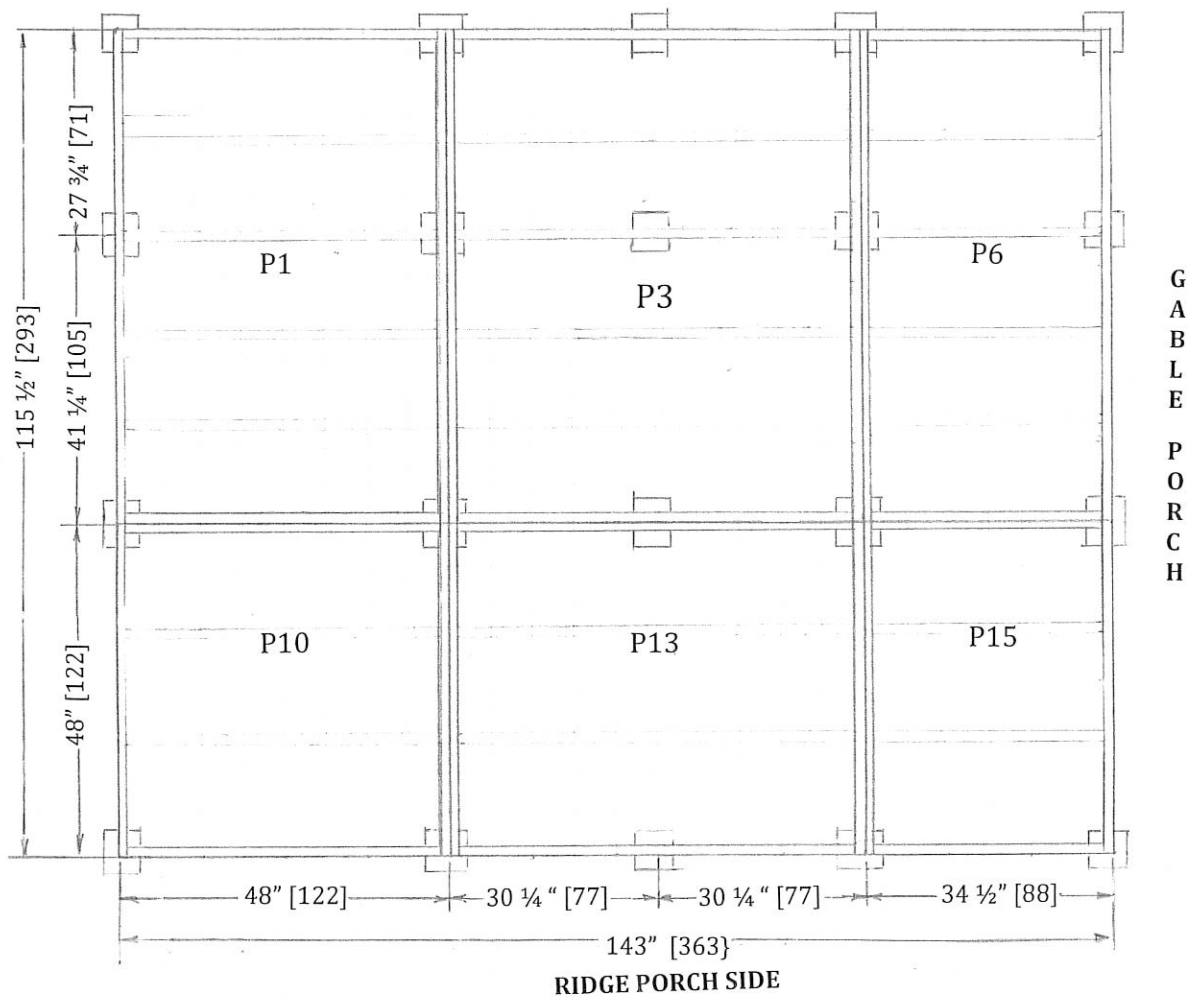
This manual outlines the specific parts needed to complete each stage. While the other manuals will give specific details on how to perform each stage. If you should have any questions please contact us at 1-800-830-8033 or sales@cedarshed.com.

DO NOT CUT any parts until you check with a CedarShed support team member.

For this model the stages of construction are as follows:

1. JOIST BOX ASSEMBLY
2. JOIST STRUCTURE ASSEMBLY
3. LEVELING OF JOIST STRUCTURE
4. INSTALLATION OF PLYWOOD FLOORING AND DECK BOARDS
5. STAGE 1 - WALL INSTALLATION
6. STAGE 1 - TRIM INSTALLATION
7. STAGE 2 - WALL INSTALLATION
8. TOP PLATE INSTALLATION
9. STAGE 1 - ROOF INSTALLATION
10. STAGE 2 - ROOF INSTALLATION
11. STAGE 2 - TRIM INSTALLATION
12. STAGE 3 - TRIM INSTALLATION
13. STAGE 4 - TRIM INSTALLATION
14. FINISHING TOUCHES

BEARING POINTS FOR 1210 AND BUILDING THE FLOOR JOIST BOXES



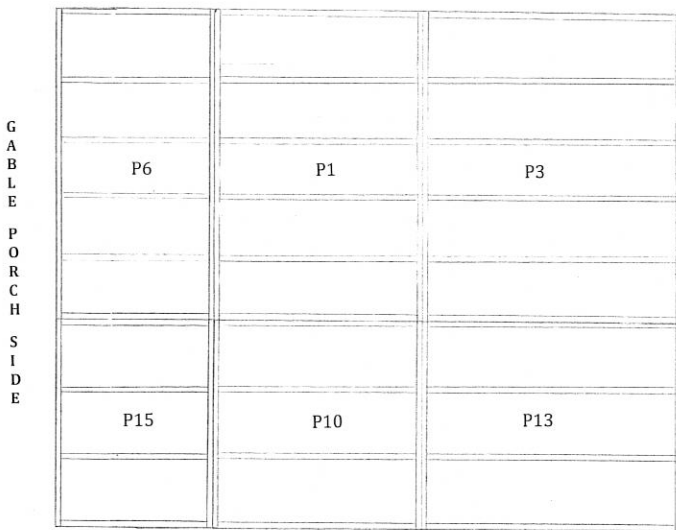
Each bearing point represents a spot where the joist boxes intersect each other. Using a cement block at each of these points, level the joist structure once the joist boxes have been affixed together. Use the diagram above to plot the bearing points on your building site. Please note that these are the minimum number of bearing points and you may wish to use additional cement blocks as need would justify.

DECIDING ON THE ORIENTATION OF YOUR WRAP AROUND PORCH

The wrap around porch can be oriented to wrap around the right or left side of your shed. The assembly of the joist boxes will dictate which side the gable porch will be located.

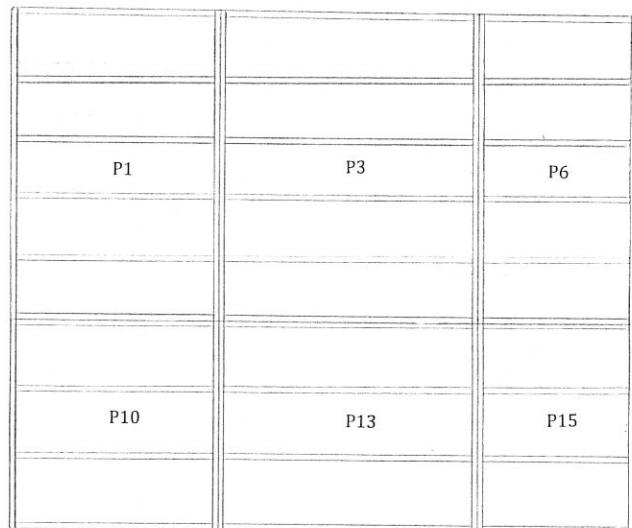
Please see the two diagrams below for details. The remainder of the diagrams in this manual will show the gable porch being wrapping around the right side of the shed. If you desire to have the gable porch wrap around the left side please make the required adjustments.

LEFT WRAP AROUND JOIST BOX CONFIGURATION



RIDGE PORCH SIDE

RIGHT WRAP AROUND JOIST BOX CONFIGURATION



RIDGE PORCH SIDE

FLOOR JOIST PARTS

CK1210

PART #	DESCRIPTION	DIMENSIONS (where app.)	# OF PCS
JOIST PARTS			
P-2431G	joist	2 x 4 x 31 1/2	10
P-2445	Joist	2 x 4 x 45	10
P-2446G	joist	2 X 4 x 46 1/2	6
P-2457G	Joist	2 x 4 x 57 1/2	10
P-2469	Joist	2 x 4 x 69	6

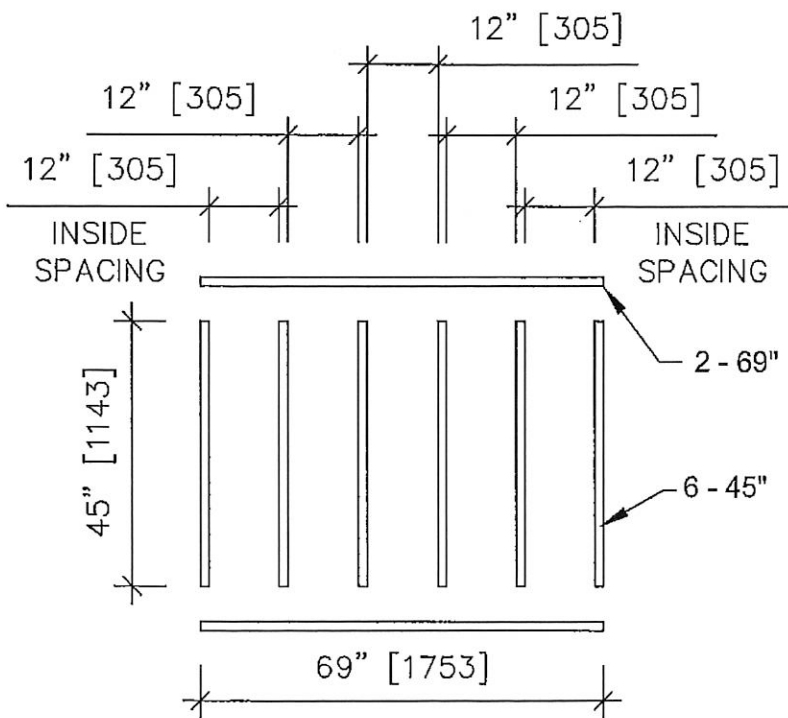
BUILDING OF JOIST BOXES

By using the joist parts as outlined above and the instructions in the next few pages, assemble the joist boxes accordingly. There are various of joist boxes that make up the joist structure. The number of each size is outlined in the table below.

JOIST BOXES REQUIRED FOR THIS MODEL		
JOIST BOX #	Joist Box Size	# of Boxes Req'd
P1	69" x 48"	1
P3	69" x 60 1/2"	1
P6	69" x 34 1/2"	1
P10	46 1/2" x 48"	1
P13	46 1/2" x 60 1/2"	1
P15	46 1/2" x 34 1/2"	1

JOIST BOX ASSEMBLY

Lay the joist parts out as per Fig P1 - 1. Using 2 - 3" screws per joint, assemble the joist box together as per Fig P1 - 2. The completed joist box is pictured in Fig P1 - 3.



69" x 45" floor panel layout.

Fig. P1 - 1

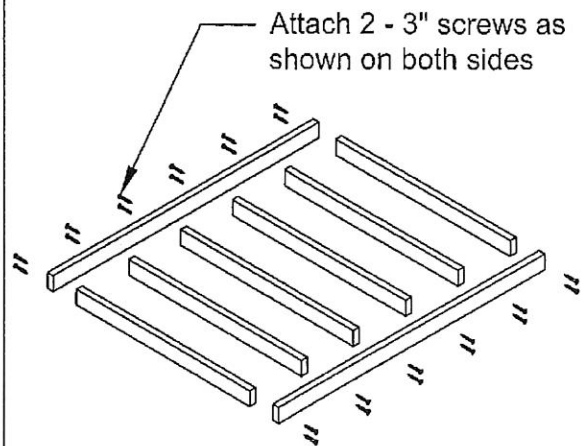


Fig. P1 - 2

Completed floor panel

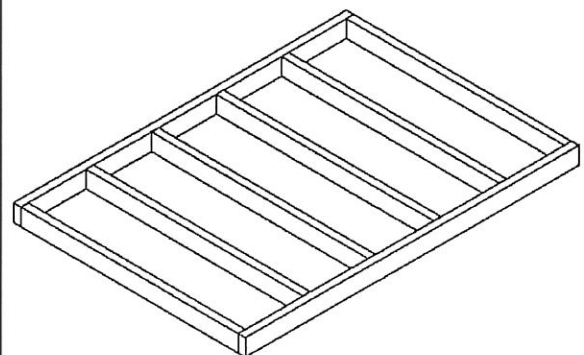
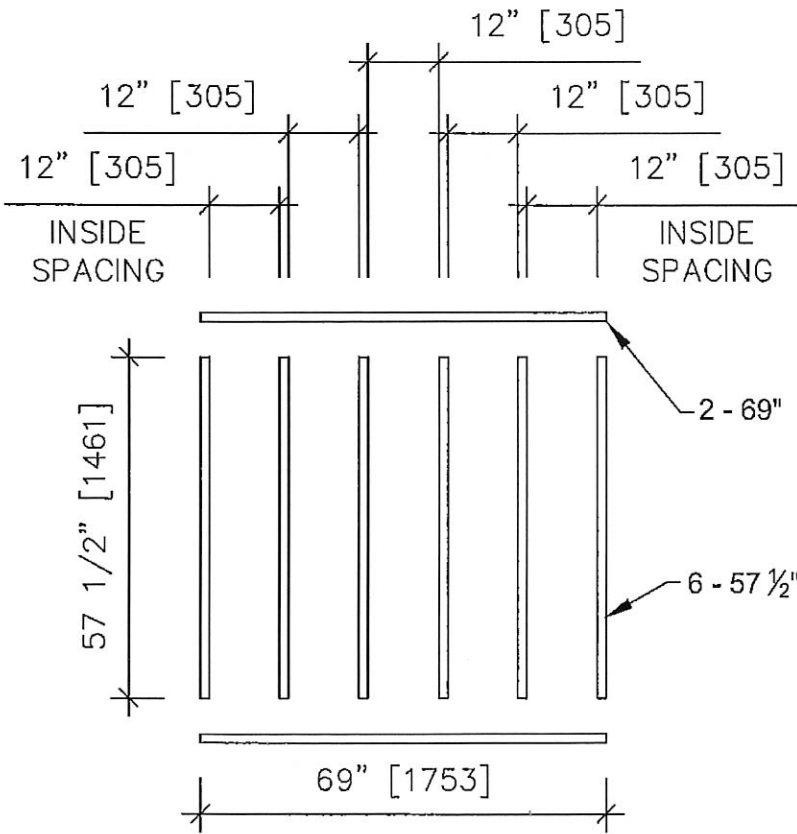


Fig. P1-3

JOIST BOX ASSEMBLY

Lay the joist parts out as per Fig P3 - 1. Using 2 - 3" screws per joint, assemble the joist box together as per Fig P3 - 2. The completed joist box is pictured in Fig P3 - 3.



69" x 60 1/2" floor panel layout.
Fig. P3 - 1

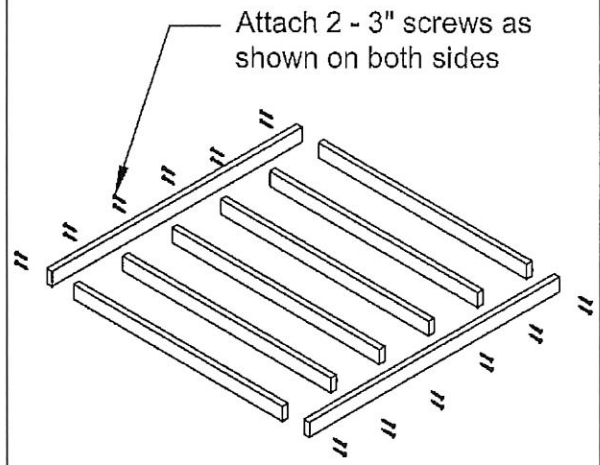


Fig. P3 - 2

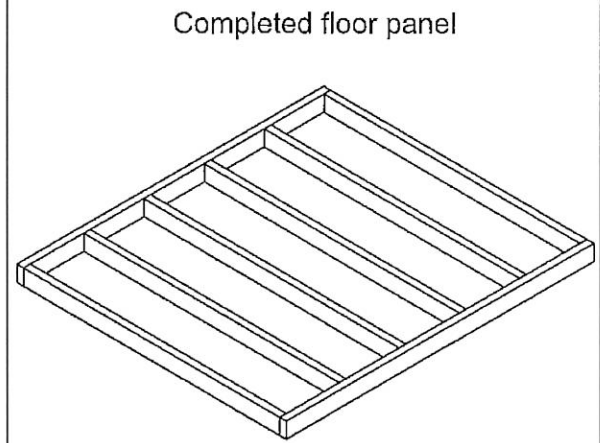
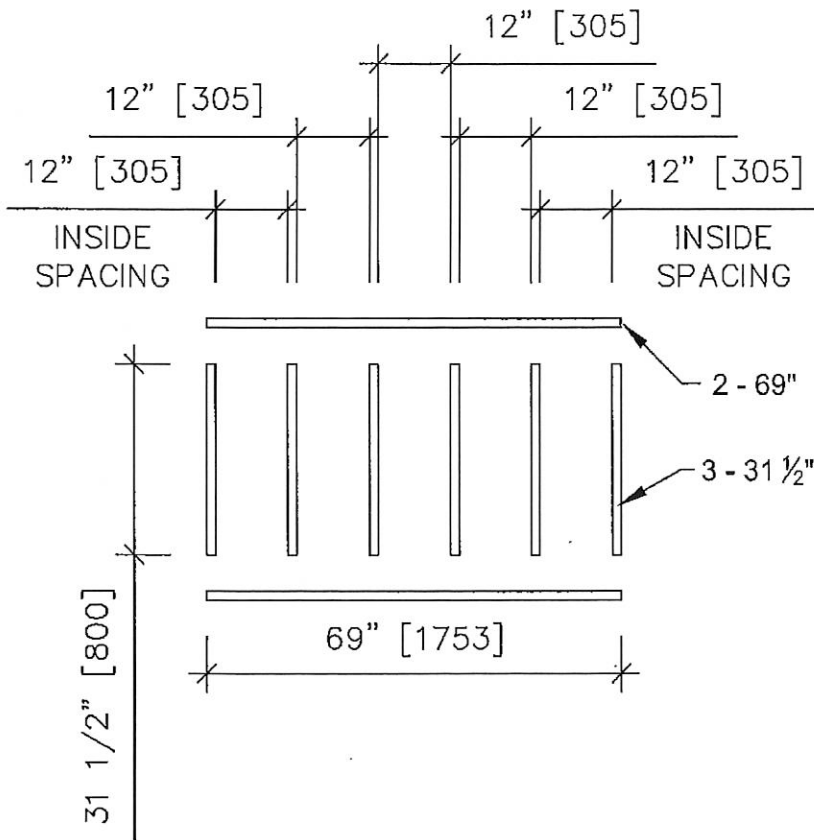


Fig. P3 - 3

JOIST BOX ASSEMBLY

Lay the joist parts out as per Fig P6 - 1. Using 2 - 3" screws per joint, assemble the joist box together as per Fig P6 - 2. The completed joist box is pictured in Fig P6 - 3.



69" x 34 1/2" floor panel layout.
Fig. P6 - 1

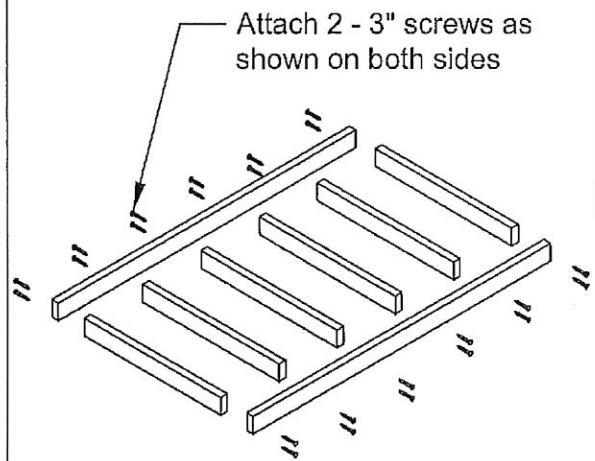


Fig. P6 - 2

Completed floor panel

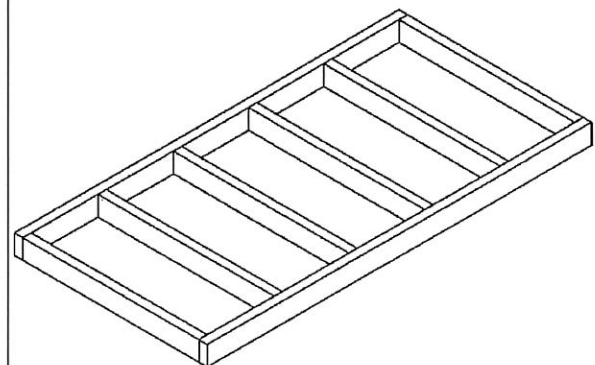
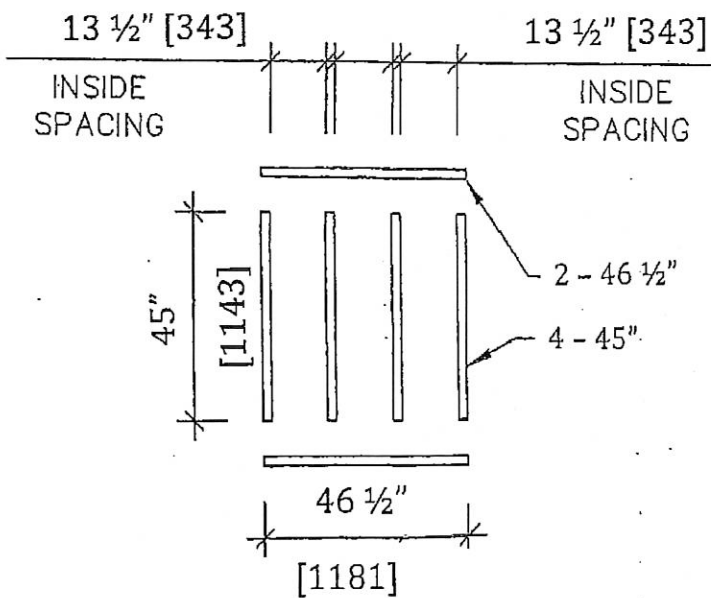


Fig. P6 - 3

JOIST BOX ASSEMBLY

Lay the joist parts out as per Fig. P10-1. Using 2- 3" screws per joint, assemble the joist box together as per Fig P10-2. The completed joist box is pictured in Fig. P10-3.



46 1/2" x 48" joist box layout

Fig P10-1

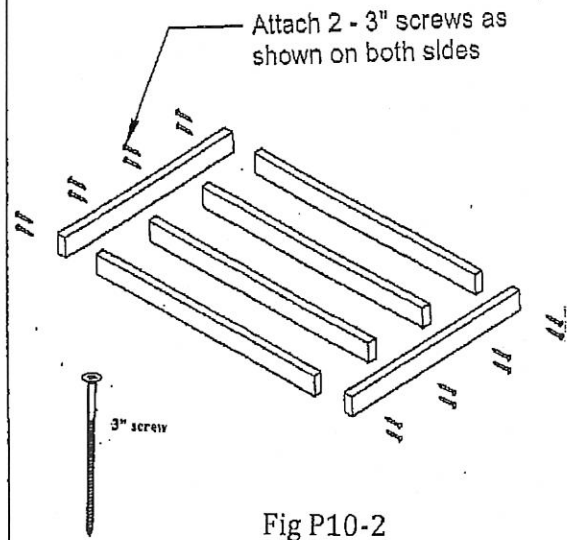


Fig P10-2

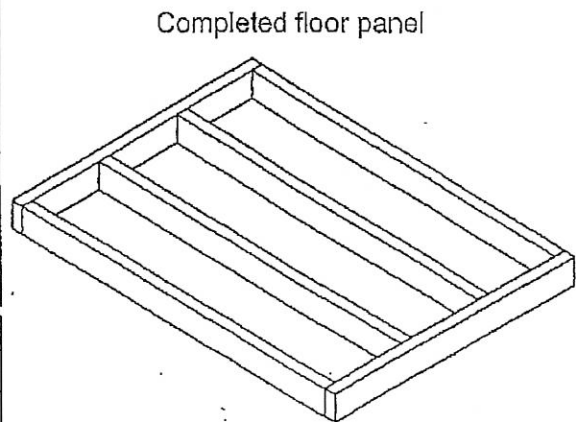
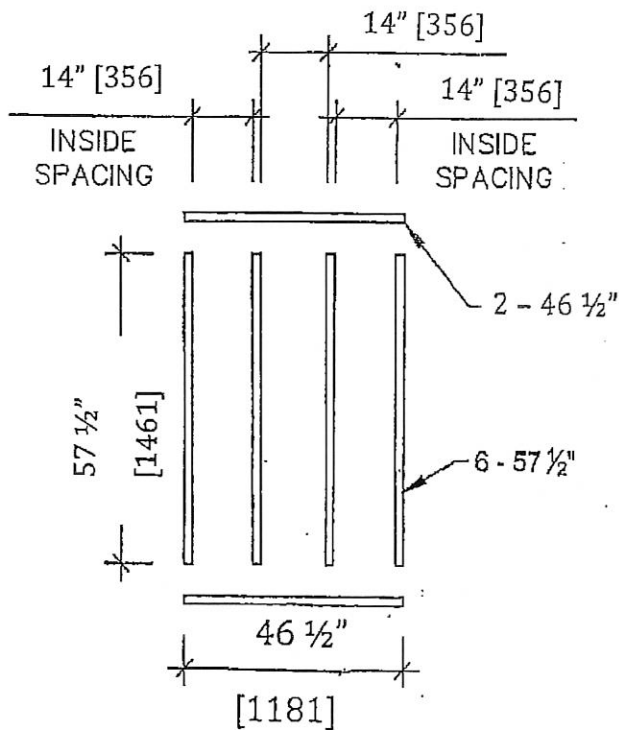


Fig P10-3

JOIST BOX ASSEMBLY

Lay the joist parts out as per Fig. P13-1. Using 2- 3" screws per joint, assemble the joist box together as per Fig P13-2. The completed joist box is pictured in Fig. P13-3.



46 1/2" x 60 1/2" joist box layout

Fig P13-1

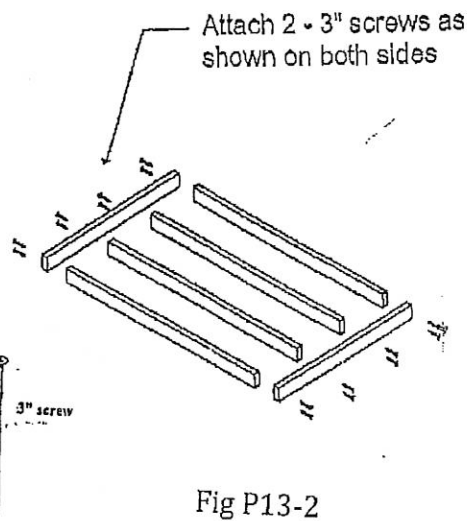


Fig P13-2

Completed floor panel

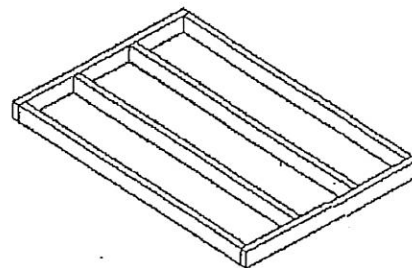
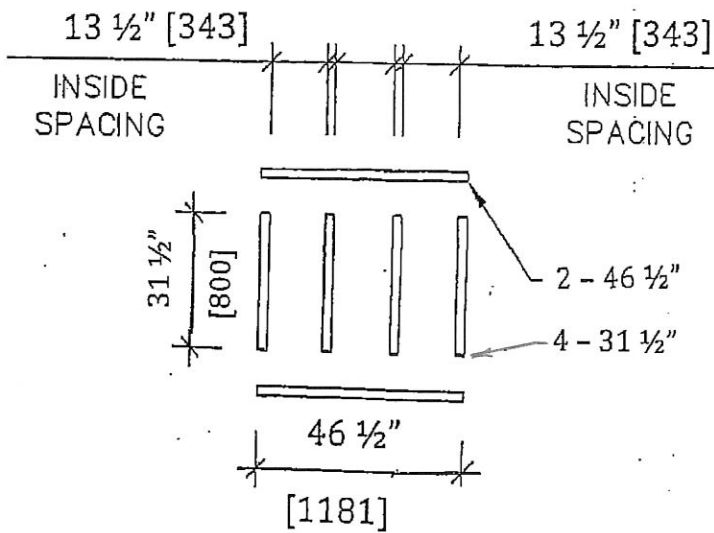


Fig P13-3

JOIST BOX ASSEMBLY

Lay the joist parts out as per Fig. P15-1. Using 2-3" screws per joint, assemble the joist box together as per Fig. 15-2. The completed joist box is pictured in Fig. 15-3.



46 1/2" x 34 1/2" joist box layout

Fig P 15-1

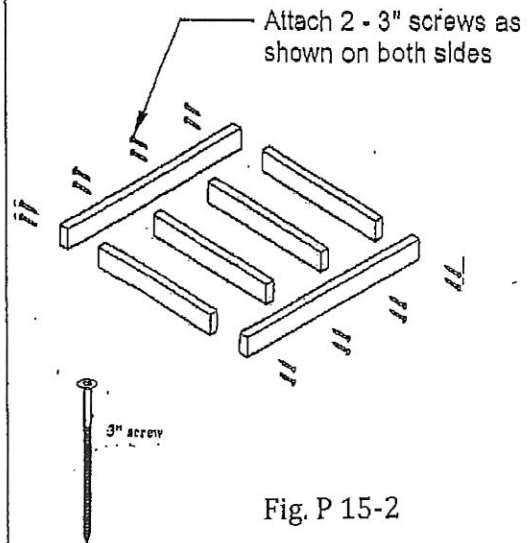


Fig. P 15-2

Completed floor panel

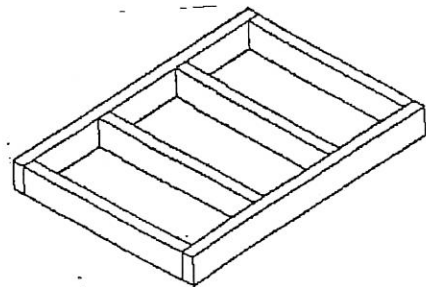
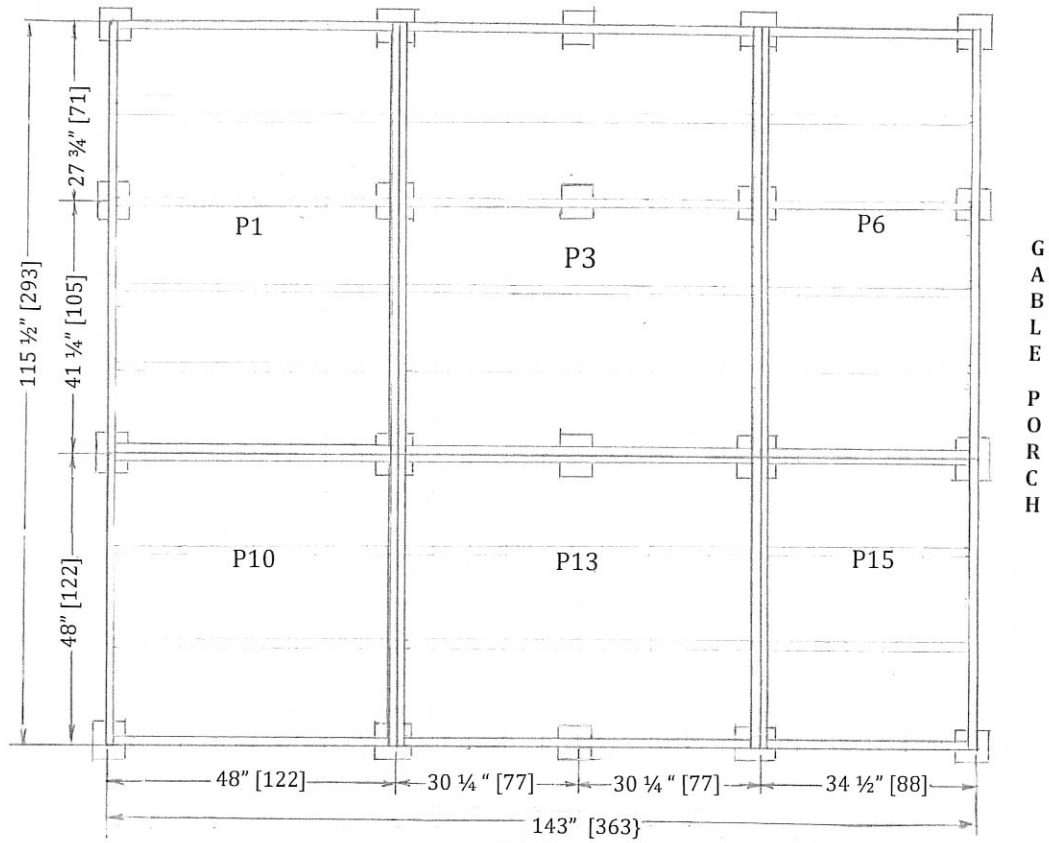


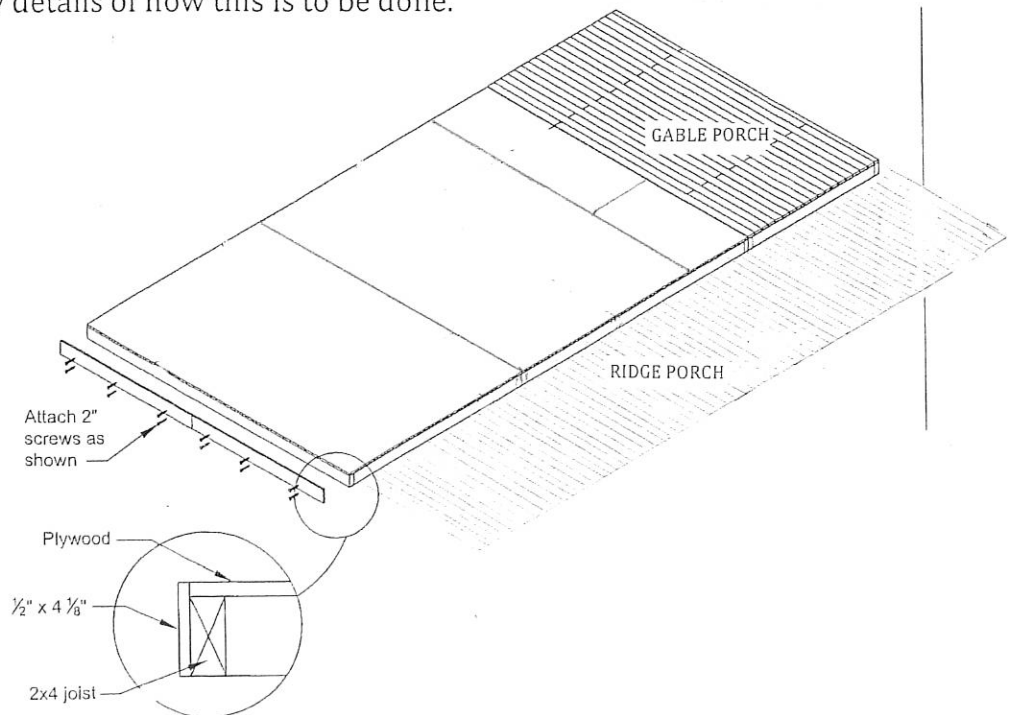
Fig. P 15-3



COMPLETING THE FLOOR JOIST STRUCTURE

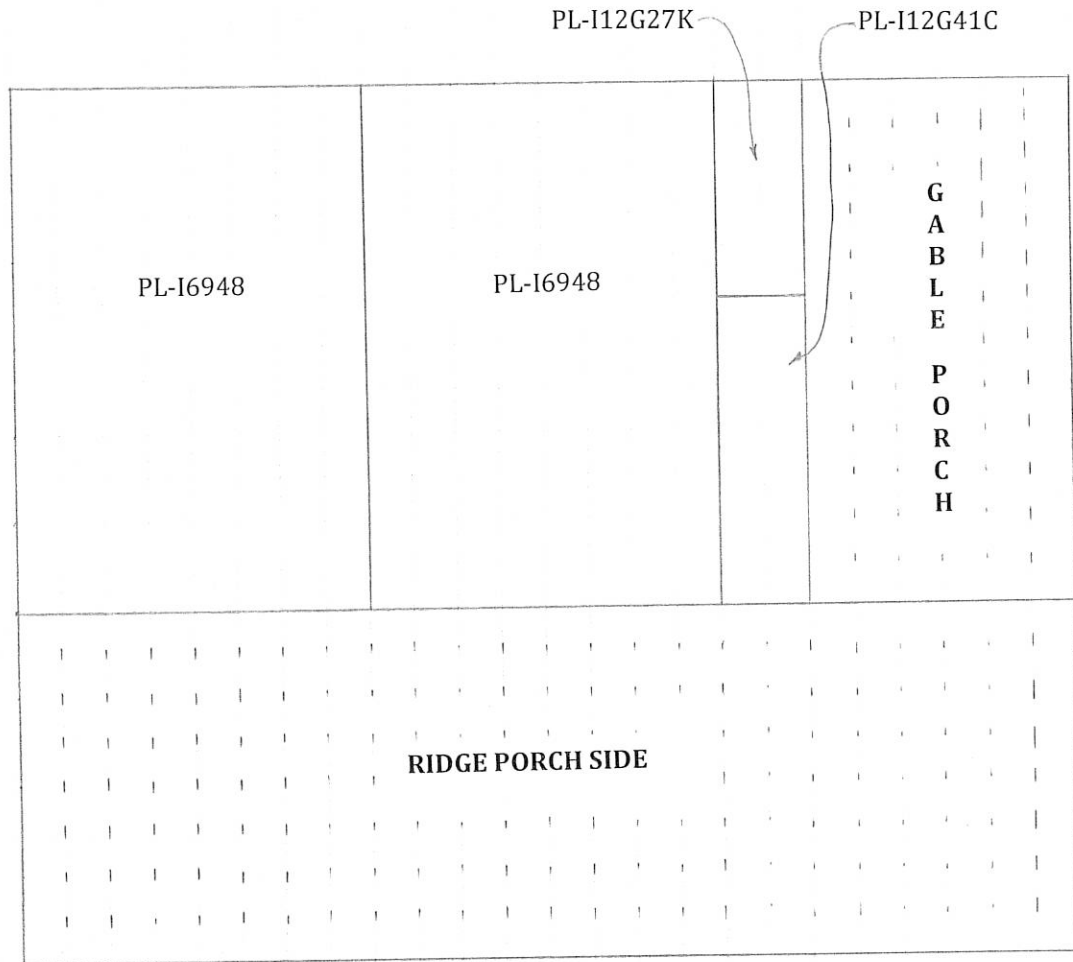
Take the joist boxes and affix them as per the diagram above. Make sure you keep the orientation of the ridge and gable porch in mind when doing this. Use 3" screws every 12" to affix all the joist boxes together. Once complete, lay the joist structure on top of the building site and level the joist structure on top of the cement blocks. Please use the cedar packaging blocks to assist in the levelling process. Make sure when level the joist structure clears the ground. This will allow the proper air circulation to prevent dry rot occurring on the joist structure.

There may be a need to affix joist trims on your specific model. If it is needed the diagram below will show details of how this is to be done.



INSTALLATION OF PLYWOOD PANELS AND RIDGE AND GABLE PORCH DECKING

The next few pages will outline the steps to install the plywood flooring and the deck boards to the ridge and gable porch areas.



PART #	DESCRIPTION	DIMENSIONS (where app.)	# OF PCS
FLOOR PLYWOOD AND DECK BOARD PARTS			
P-1469	deck boards	1 x 4 x 69	9
P1269	deck boards	1 x 2 x 69	1
P-1446G	floor boards	1 x 4 x 46 1/2	41
P-PL-I6948	plywood	5/8 x 69 x 48	2
P-PL-I12G41C	plywood	5/8 x 12 1/2 x 41 1/4	1
P-PL-I12G27K	Plywood	5/8 x 12 1/2 x 27 3/4	1

INSTALLATION OF PLYWOOD FLOORING

Now lay the plywood sheets over top of the joist frame. Each sheet of plywood (based on size) will lay over top of the various floor boxes that have been built and attached together. Then by using the 2" screws provided, affix each sheet using a screw every 12" on centre on each of the joist members (rows). As an example, to affix a 69" by 48" sheet to the joist frame would require 30 screws (6 joist members by 5 screws per row. See Fig 3 for details

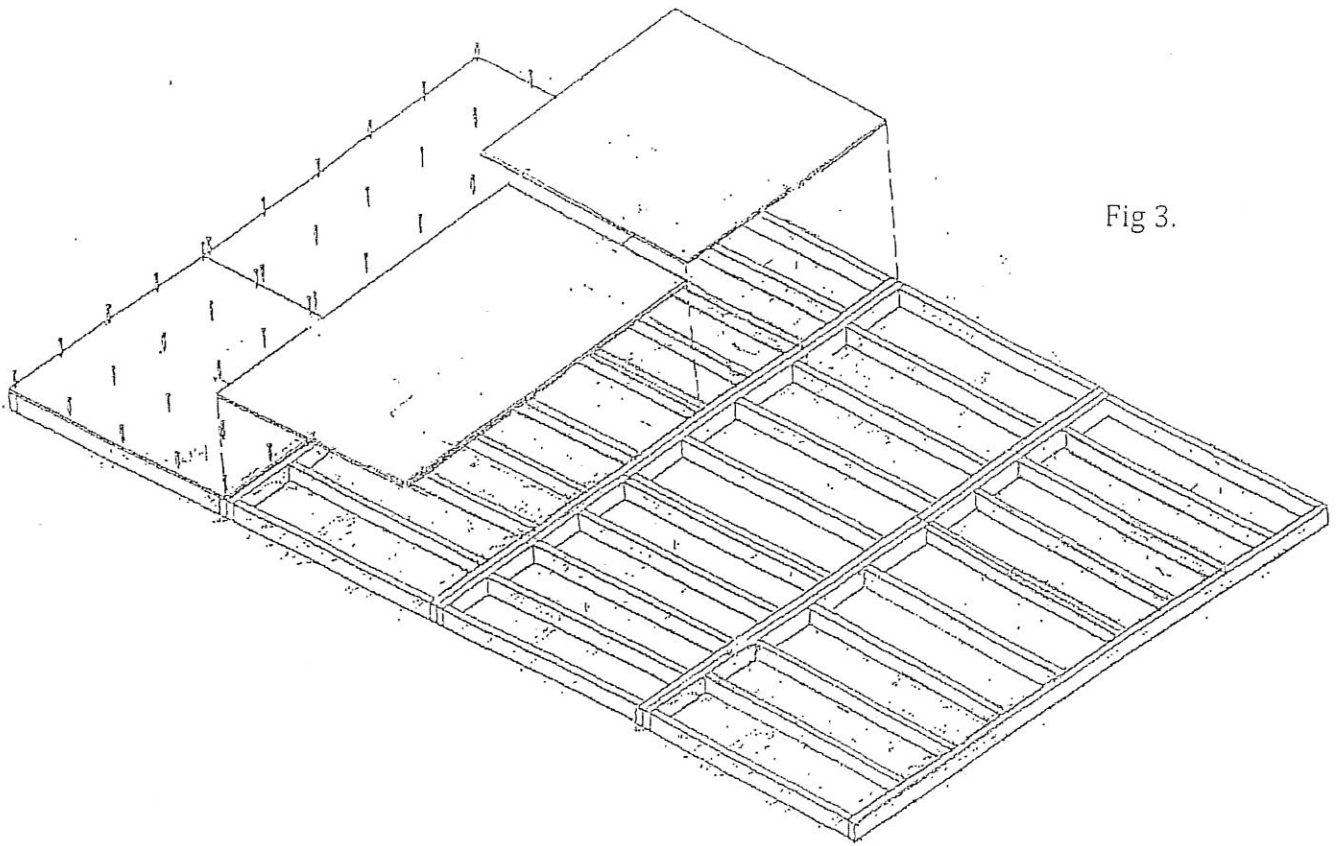
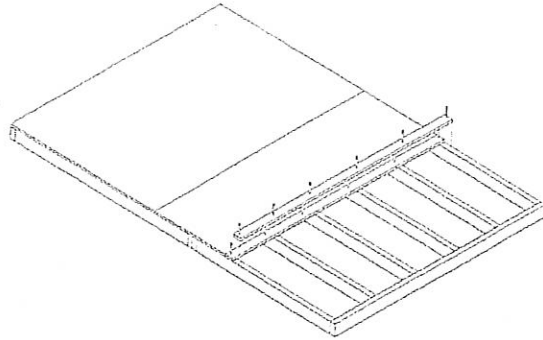


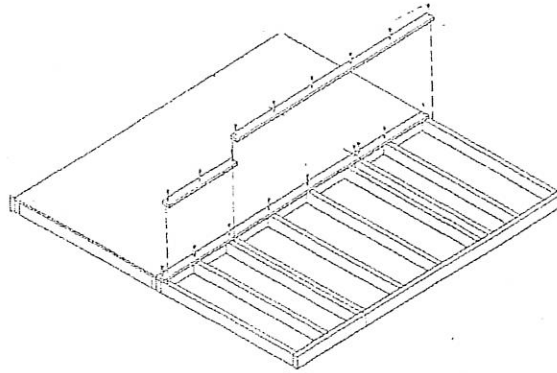
Fig 3.

4. Lay the deck boards over top of the porch joist structure. See table below for the correct number of pieces. Refer to Fig. 4 for details.

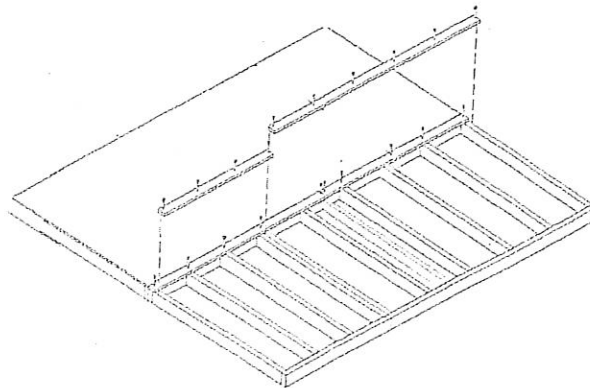
3 ft deep
6 ft wide
Gable Porch



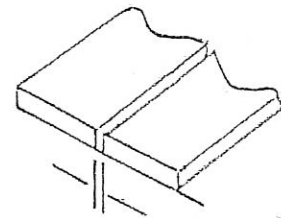
4 ft deep
8 ft wide
Gable Porch



4 ft deep
10 ft wide
Gable Porch



Deck Boards

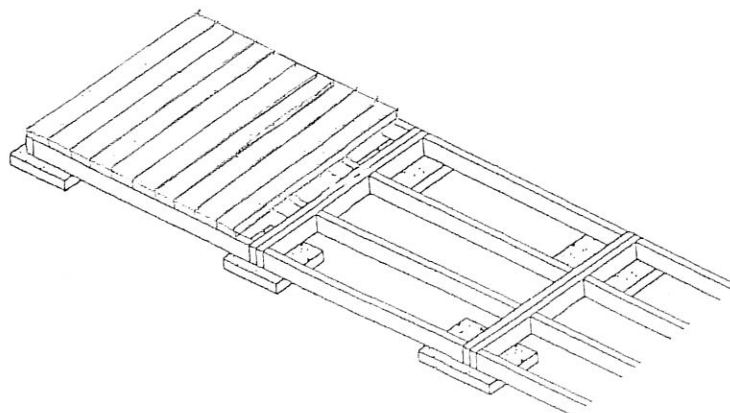
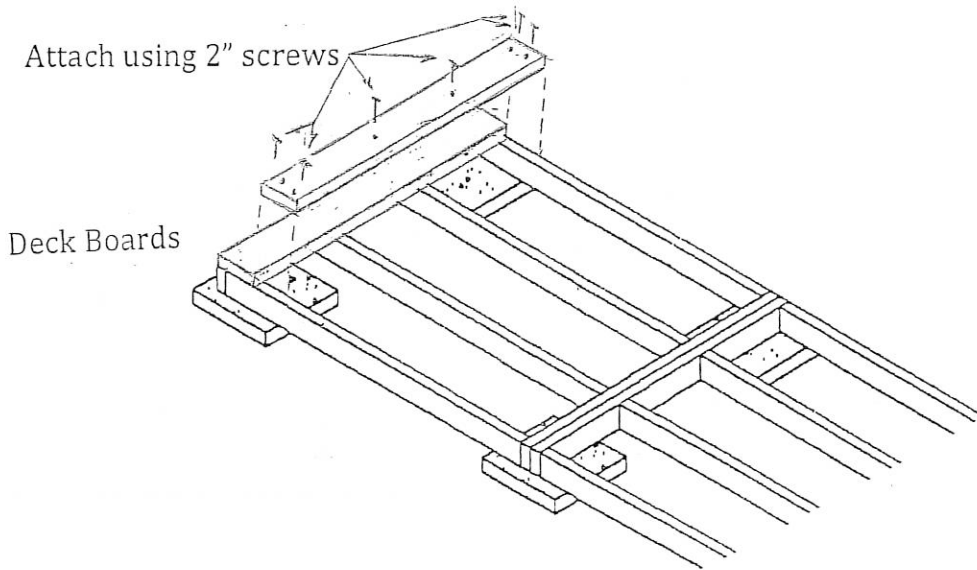


1/16" gap between boards

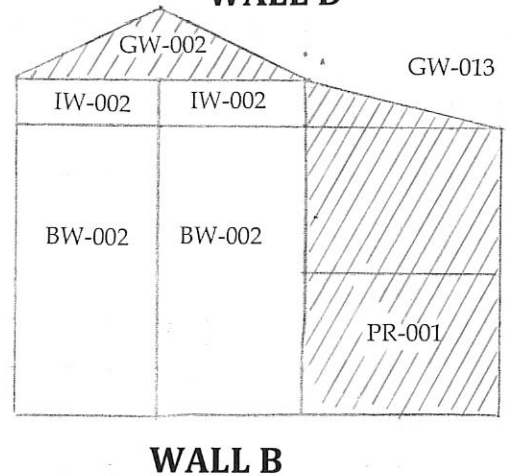
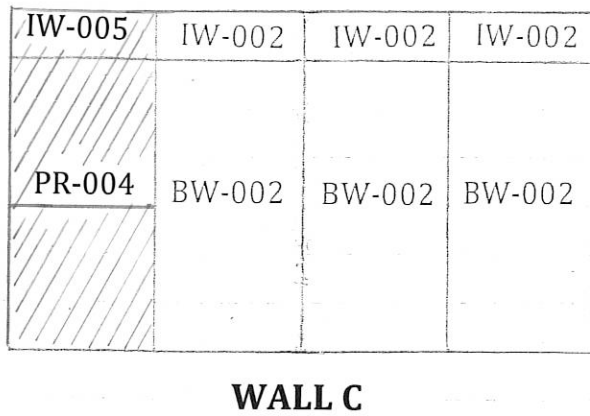
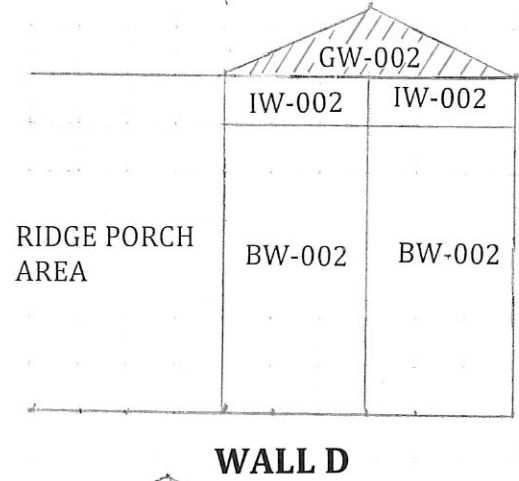
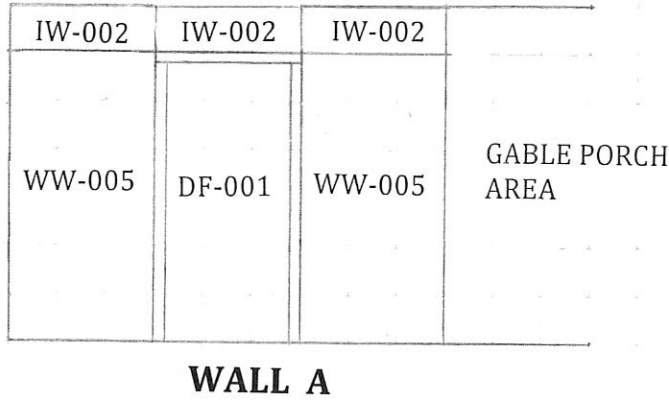
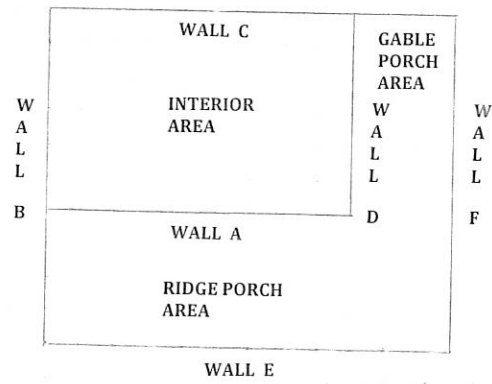
	# of boards based on width of:								
	2 1/2" wide			3 1/2" wide			5 1/2" wide		
length of boards	69"	46 1/2"	24"	69"	46 1/2"	24"	69"	46 1/2"	24"
SIZE OF PORCH									
6 ft wide-3 ft deep	14	0	0	10	0	0	6	0	0
8 ft wide-4 ft deep	18	0	14	10	0	10	6	0	6
10 ft wide-4 ft deep	18	14	0	10	10	0	6	6	0

Lay the 46 1/2" long deck boards over top of the level floor joist structure. Use 2- 2" screws to attach the ends of each board and 1-2" screw to affix to the interior joist. The number of deck boards will vary based on the width of each board.

Size of deck	No of boards in 2 1/2" width	No. of boards in 3 1/2" width
9x4	44	31
12x4 (6)	57	41
12x4 (8)	57	41
16x4	76	54
20x4	95	67

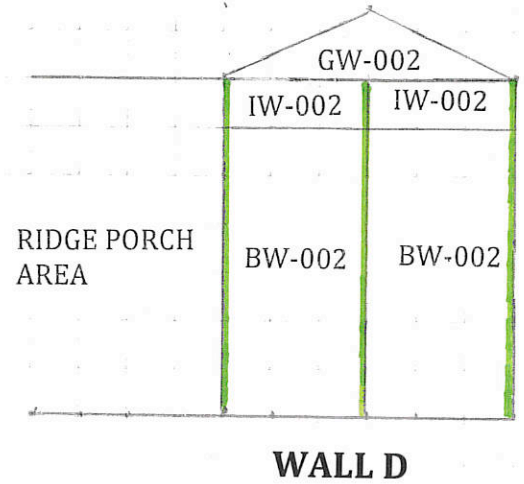
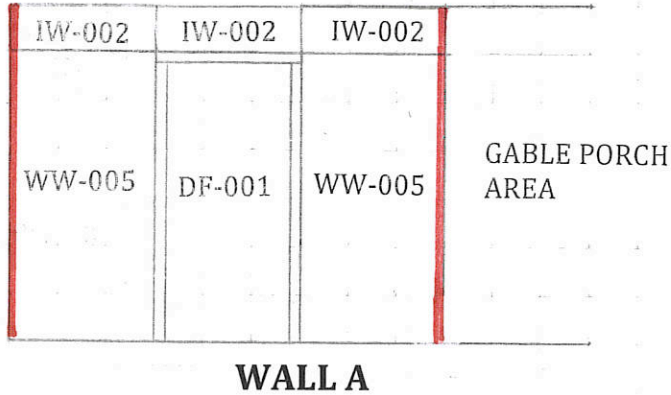
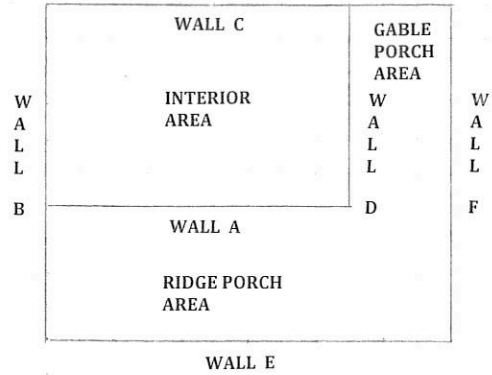


NOTE: SHADED PANELS WILL BE INSTALLED IN FUTURE STEPS



STAGE 1 - WALL INSTALLATION

PART #	DESCRIPTION	DIMENSIONS (where app.)	# OF PCS	CODE
P-2334G	header	2 x 3 x 34 1/2	7	not shown
C-BW-002	wall panel	blank wall 34 1/2" wide	7	BW-002
C-IW-002	in-fill wall panel	12" x 34 1/2"	10	IW-002
C-DF-001	door frame	door frame	1	DF-001
C-WW-005	window wall	window wall	2	WW-005

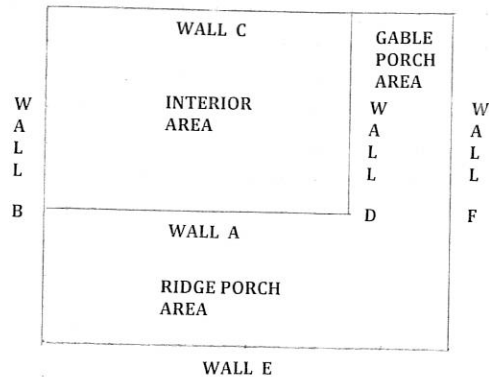


STAGE 1 - TRIM INSTALLATION

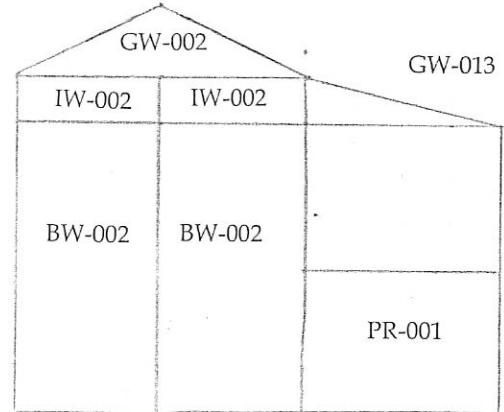
PART #	DESCRIPTION	DIMENSIONS (where app.)	# OF PCS	CODE
P-13C91	corner trim	1 x 3 1/4 x 87	2	
P-1292C	trim	1 x 2 x 88 1/4	3	

IW-004	IW-002	IW-002	IW-002
PR-004	BW-002	BW-002	BW-002

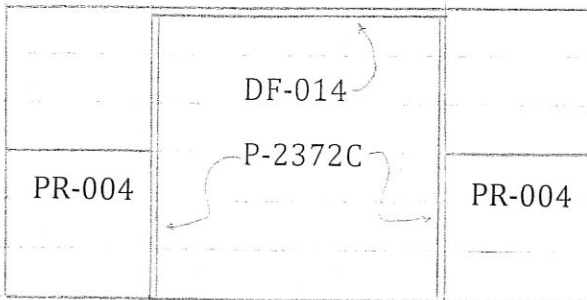
WALL C



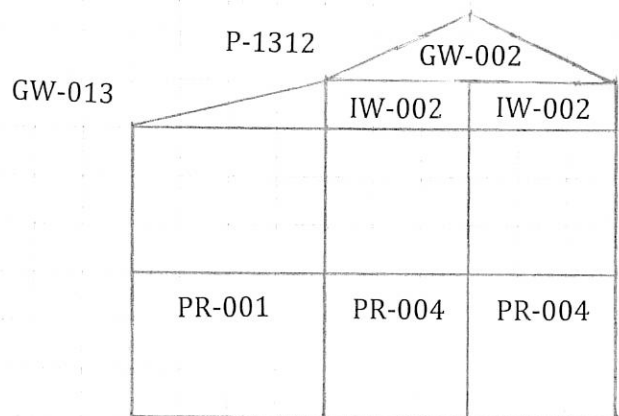
CK1210



WALL B



WALL E



WALL F

STAGE 2 - WALL INSTALLATION

PART #	DESCRIPTION	DIMENSIONS (where app.)	# OF PCS	CODE
C-PR-001	porch section	45 3/4 x 74 3/4	5	PR-001
C-PR-004	porch section	33 3/4 x 74 3/4	4	PR-004
P-2372C	door post	2 x 3 x 72 1/4	2	P-2372C
P-1374I	door post filler	1 x 3 x 74 3/4	1	P1374I
C-DF-019	horizontal door frame	2 1/2 x 72 3/4	1	DF-019
C-IW-003	in-fill wall	12" x 46 1/2"	1	IW-003
C-IW-002	in-fill wall	12" x 34 1/2"	2	IW-002
C-IW-004	in-fill wall	12" x 31 1/4"	1	IW-004
C-GW-013	gable walls	12" x 46 1/2"	2	GW-013
P-1312	trim	1 x 3 x 12	1	P-1312



SIDE VIEW

Gable wall (GW-013)
to be installed later

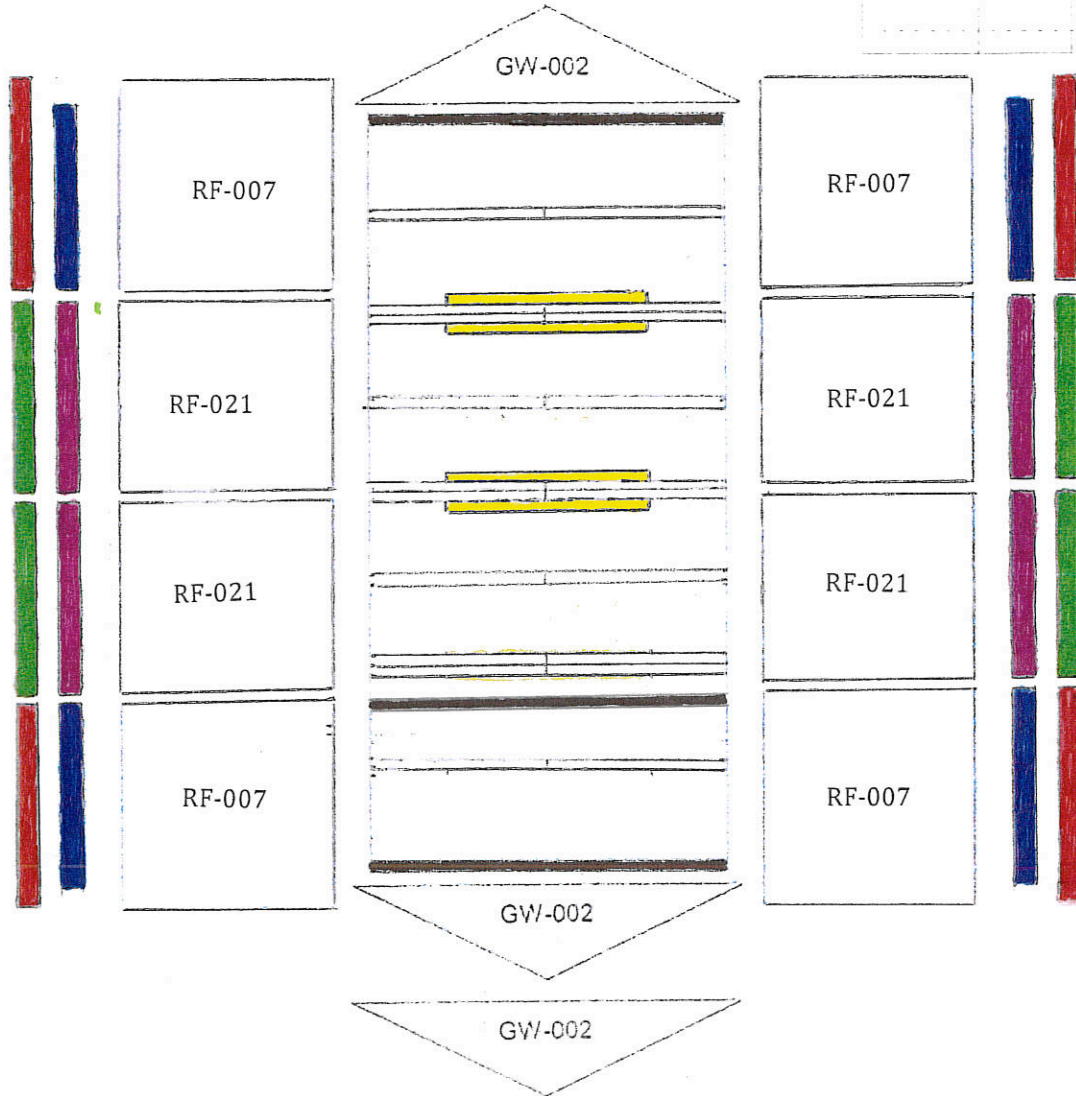
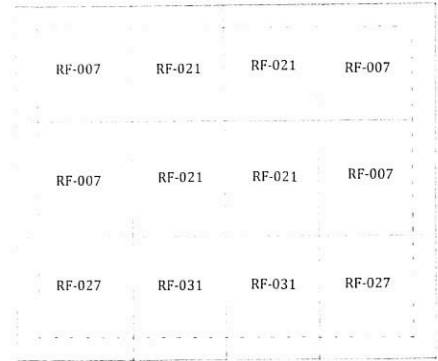
TOP VIEW

TOP PLATE INSTALLATION

PART #	DESCRIPTION	DIMENSIONS (where app.)	# OF PCS	CODE
P-2334G	top plate	2 x 3 x 34 1/12	3	Yellow
P-2343C	top plate	2 x 3 x 43 1/4	2	Blue
P-2354C	top plate	2 x 3 x 54 1/4	6	Green
P-2364	top plate	2 x 3 x 64	3	Red

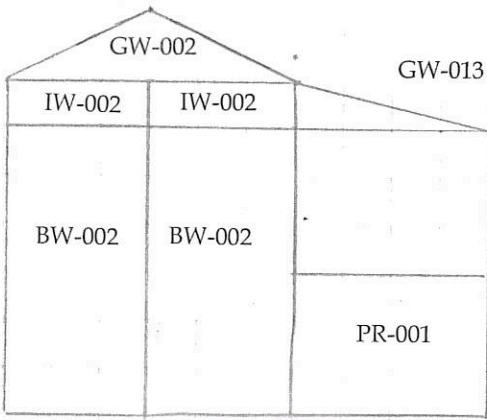


Gusset Details

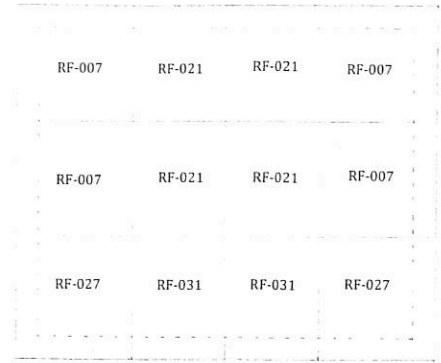


STAGE 1 - ROOF INSTALLATION

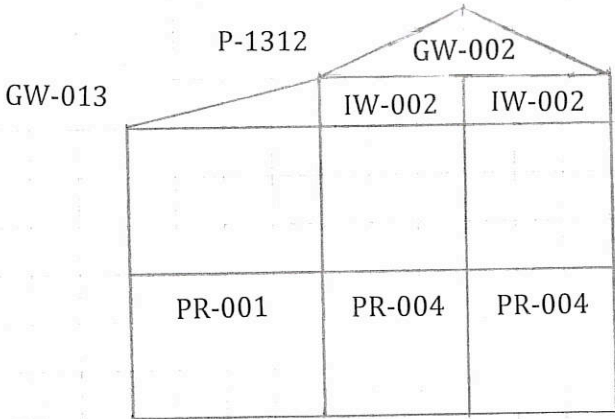
PART #	DESCRIPTION	DIMENSIONS (where app.)	# OF PCS	CODE
P-2342Yb	gusset	2 x 3 x 42	4	
C-GW-002	gable wall	gable wall	3	GW-002
P-RF-007	wood roof panel	42 x 42 3/4	4	RF-007
P-RF-021	wood roof panel	42 x 34 1/2	4	RF-021
P-B-G434G	soffit	1/2 x 4 x 34 1/2	4	
P-B-G437	soffit	1/2 x 4 x 37	4	
P-1434G	fascia	1 x 4 x 34 1/2	4	
P-1442	fascia	1 x 4 x 42	4	
P-H-RCAP24	ridge caps	24"	24	not shown
GABLE LOCATIONS				



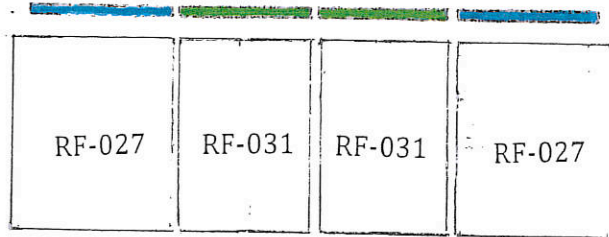
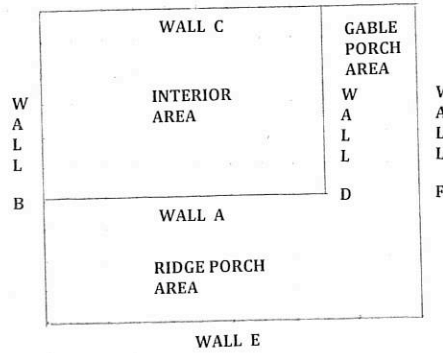
WALL B



Roof Panel Layout - TOP VIEW

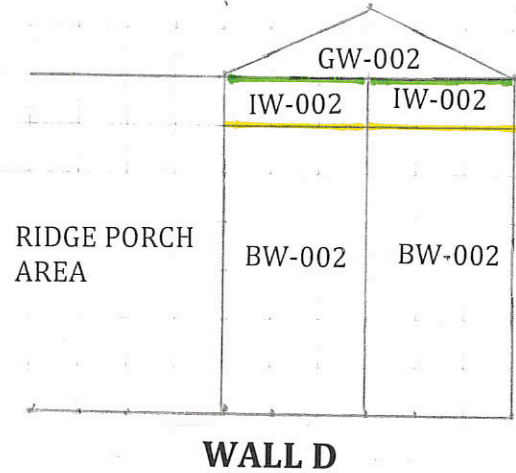
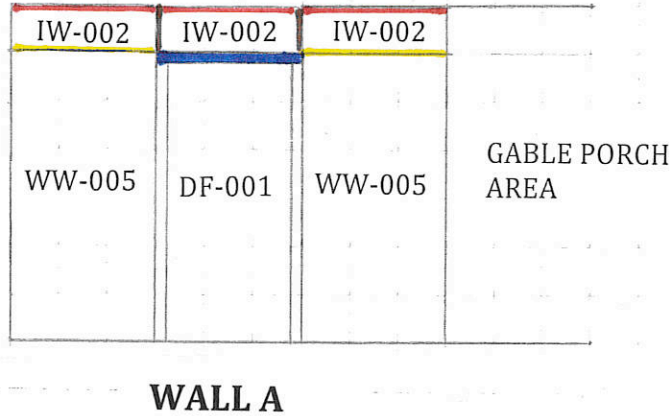
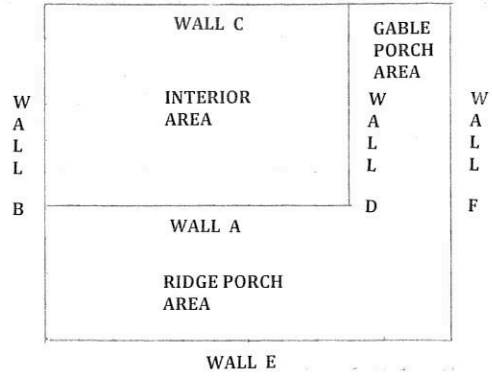


WALL F



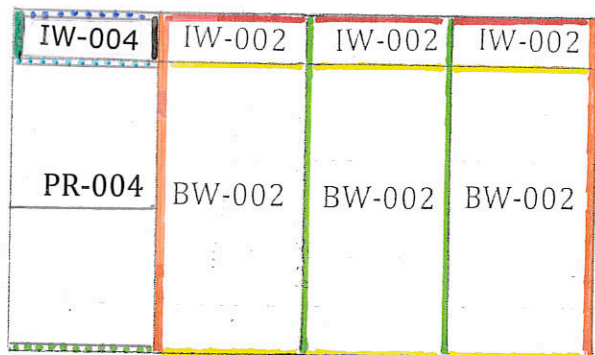
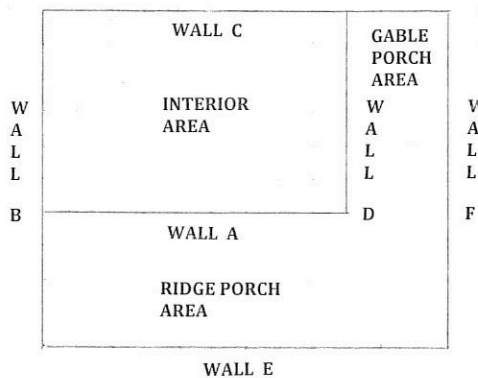
STAGE 2 - ROOF INSTALLATION

PART #	DESCRIPTION	DIMENSIONS (where app.)	# OF PCS	CODE
GW-013	gable wall	small ridge porch gable	2	GW-013
C-RF-027	roof panel	42 3/4 x 47	2	RF-027
C-RF-031	roof panel	34 1/2 x 47	2	RF-031
P-1434G	fascia	1 x 4 x 34 1/2	2	
P-1442	fascia	1 x 4 x 42	2	

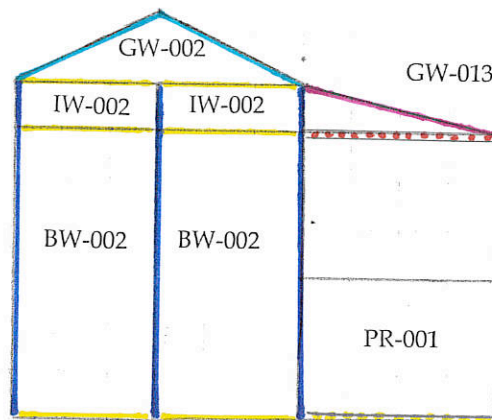


STAGE 2 - TRIM INSTALLATION

PART #	DESCRIPTION	DIMENSIONS (where app.)	# OF PCS	CODE
Trim				
P-1210K	trim	1 x 2 x 10 3/4	2	
P-B-G433	skirting	1/2 x 4 x 33	3	
P-B-G633	notched bevel	1/2 x 6 x 33	2	
P-B-G633	skirting	1/2 x 6 x 33	4	
P-1436	door trim	1 x 4F x 36	1	



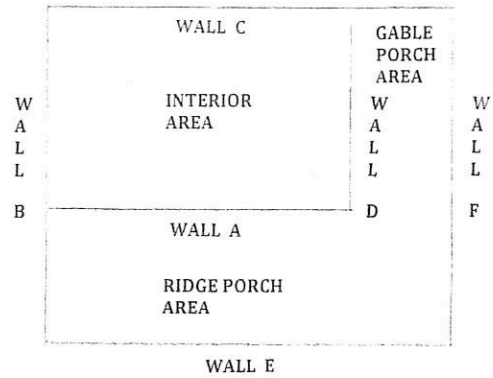
WALL C



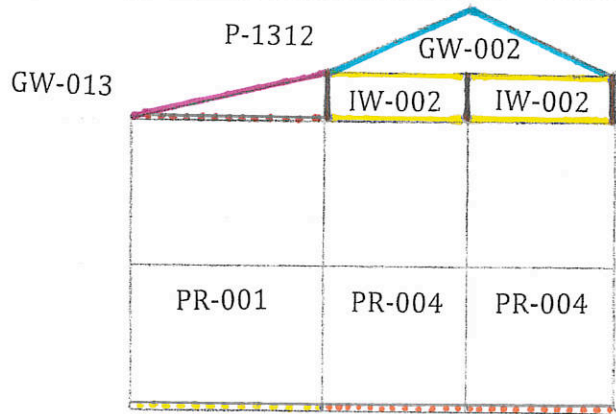
WALL B

STAGE 3 - TRIM INSTALLATION

PART #	DESCRIPTION	DIMENSIONS (where app.)	# OF PCS	CODE
Trim				
P-13C91	corner trim	1 x 3 1/4 x 91	2	
P-1292C	trim	1 x 2 x 92 1/4	3	
P-1291	trim	1 x 2 x 91	2	
P-13C13G	porch trim	1 x 3 1/4 x 13 1/2	1	
P-1113G	porch trim	1 x 1 x 13 1/2	1	
P-B-G433	skirting	1/2 x 4 x 33	3	
P-B-633	skirting	1/2 x 6 x 33	12	
P-B-G429K	skirting	1/2 x 4 x 29 3/4	1	
P-B-G291K	skirting	1/2 x 6 x 29 3/4	1	
P-B-G646G	skirting	1/2 x 6 x 46 1/2	1	
P-14B35C	porch skirting	1 x 4 1/8 x 35 1/4	1	
P-14B45K	porch skirting	1 x 4 1/8 x 45 3/4	1	
P-1446Ya	gable fascia	1 x 4 x 46	2	
P-1448GYg	gable fascia	1 x 4 x 48 1/2	1	



WALL E



WALL F

STAGE 4 - TRIM INSTALLATION

PART #	DESCRIPTION	DIMENSIONS (where app.)	# OF PCS	CODE
Trim				
P-1215	porch trim	1 x 2 x 15	3	
P-1412FX	porch trim	1 x 4F x 12	2	
P-1312FX	porch trim	1 x 3F x 12	2	
P-B-633	skirting	1/2 x 6 x 33	4	
P-B-646G	skirting	1/2 x 4 x 46 1/2	1	
P-14B34G	porch skirting	1 x 4 1/8 x 34 1/2	5	
P-14B41	porch skirting	1 x 4 1/8 x 41	1	
P-14B46G	porch skirting	1 x 4 1/8 x 46 1/2	1	
P-1446Ya	gable fascia	1 x 4 x 46	2	
P-1448GYg	gable fascia	1 x 4 x 48 1/2	1	