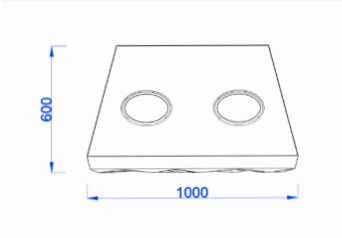
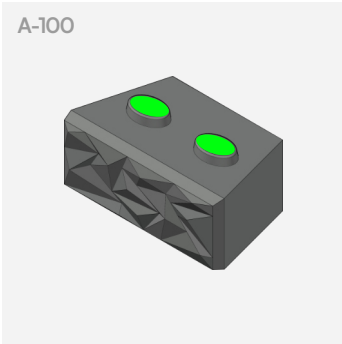
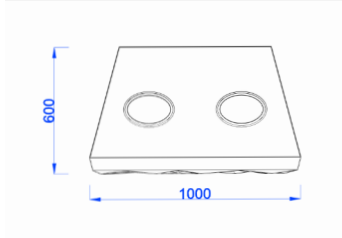
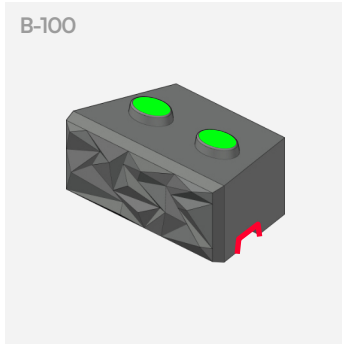


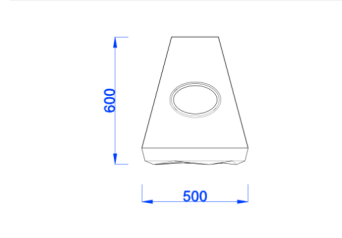
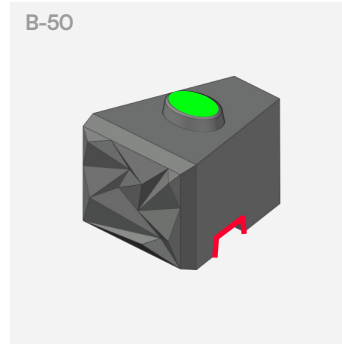
Foundation Stone (A)



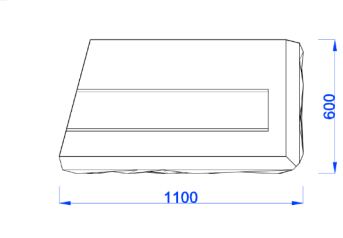
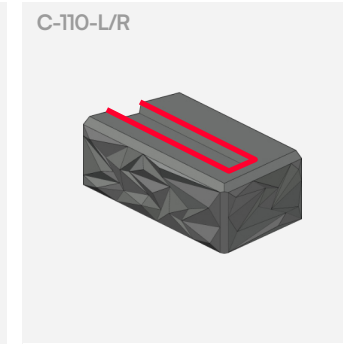
Regular Stone (B)



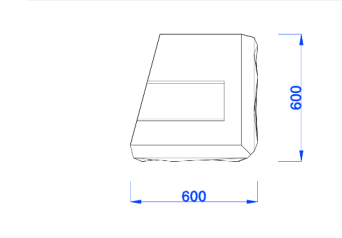
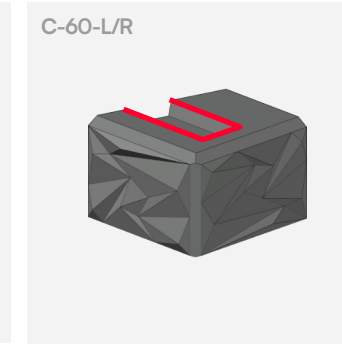
Cornerstone (C)



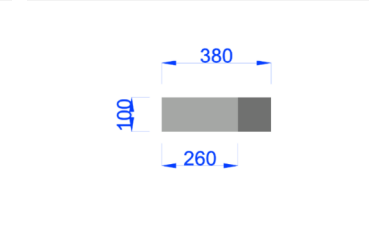
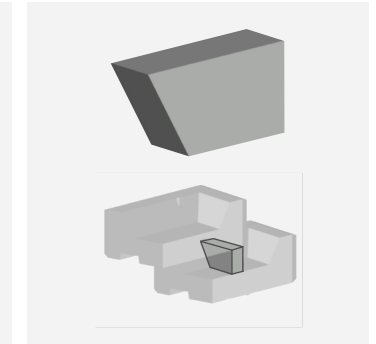
Cornerstone (C)



Cornerstone (C)



Trestle



Finishing Stone (D,E)

