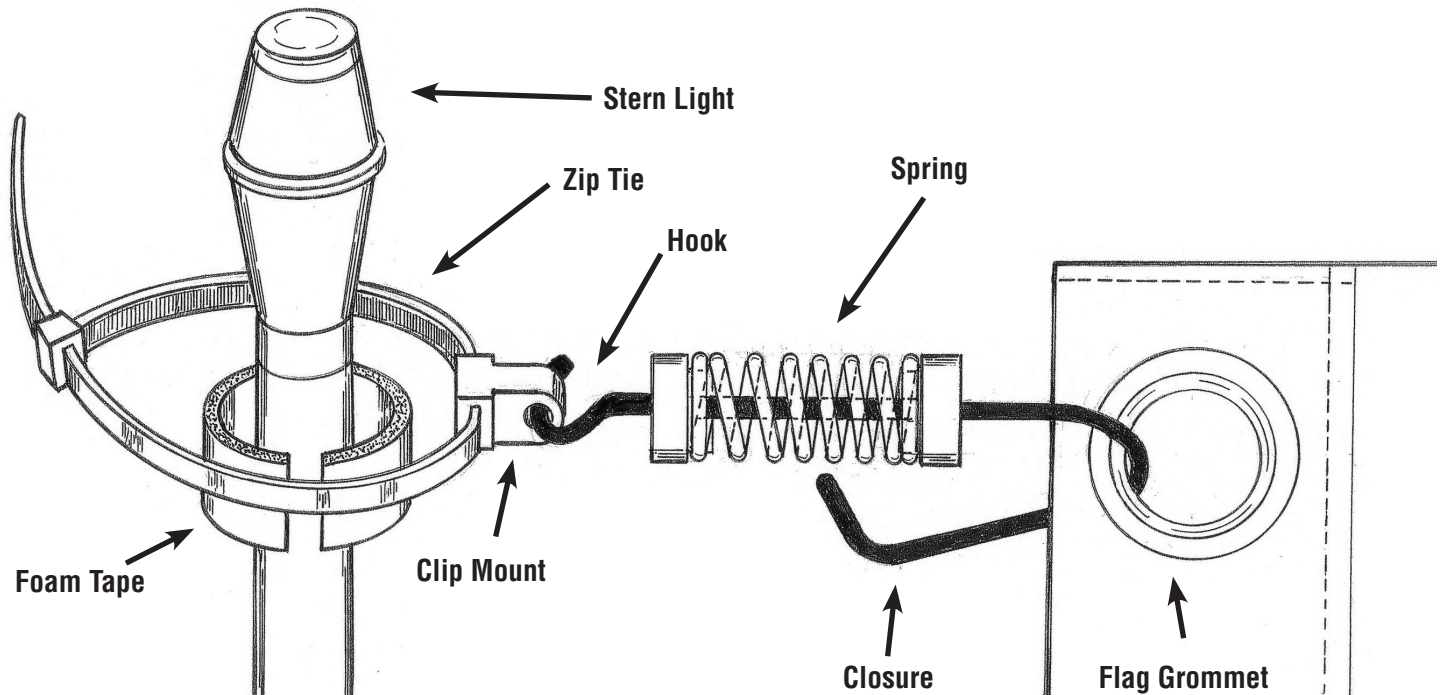


## Flag Clip (For Stern Lights or Flag Poles) - #1502



### Installation Instructions

1. Apply the foam tape to the area on the pole that you wish to mount the top flag clip. Trim excess tape.
2. Thread the zip tie through the clip mount so that the larger end of the square end of the zip tie points to flag.
3. Cinch zip tie down until it is tight around the foam tape.
4. Unhook closure to release tension on spring.
5. Slide hook through clip mount.
6. Insert closure through flag grommet and compress spring and return closure to locked position.
7. Repeat steps 1-6 for bottom mount.
8. Be sure to extend flag to show proper mounting position of bottom flag clip.