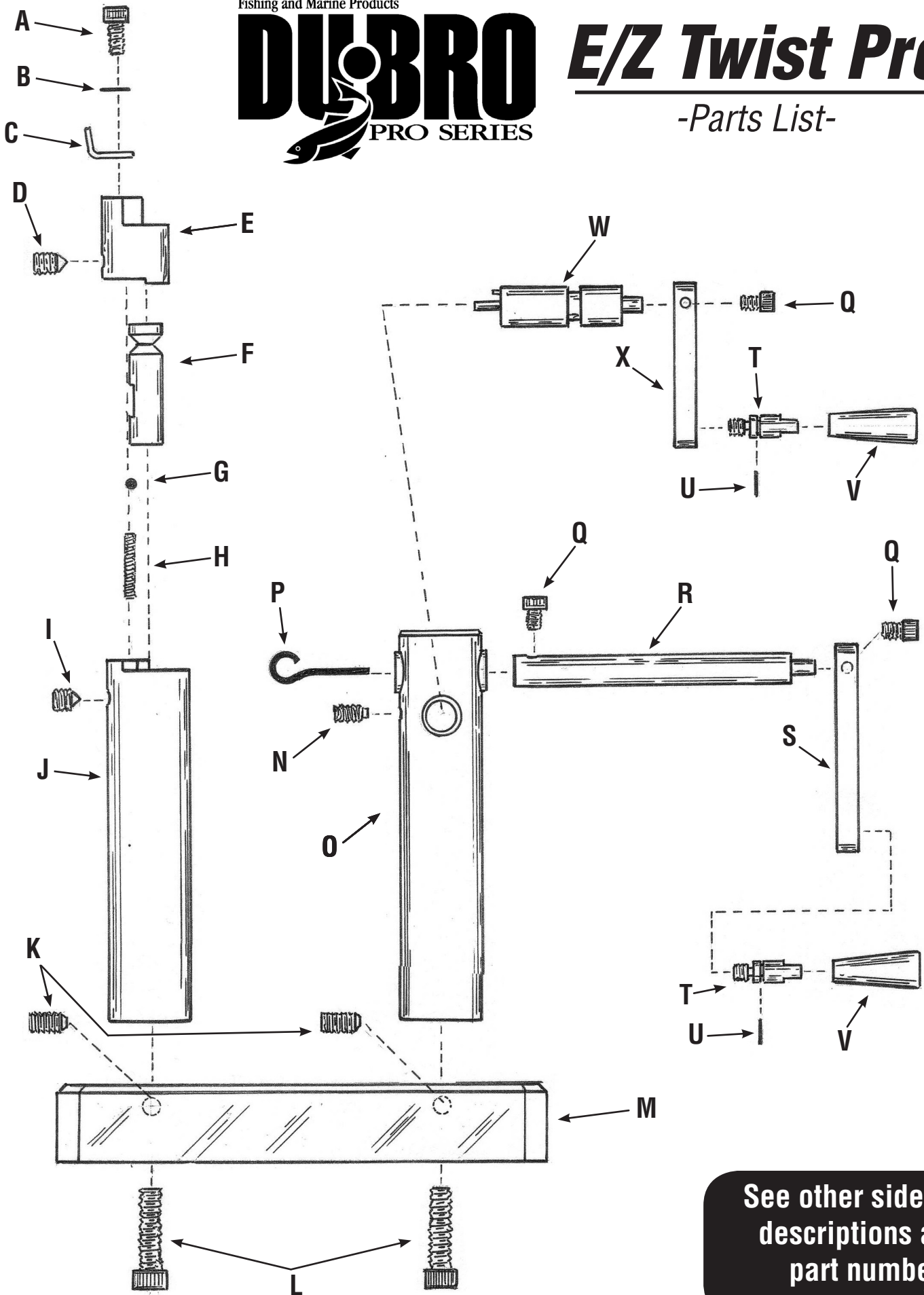


Fishing and Marine Products



E/Z Twist Pro

-Parts List-



See other side for descriptions and part numbers.

Identification & Part

ID	PART #	NAME	QTY USED
A	28660	8-32 X 3/8" Socket Head Cap Screw	1
B	17860	#8 Flat Washer	1
C	28765-P	Wire Clamp/Guard	1
D	28675	1/4"-28 X 3/8" Cone Point Set Screw	1
E	See Below	Head	1
F	28605	Head Mount Post	1
G	28690	.156" Dia. Ball	1
H	28695	Spring .140" Dia. X .780" Long	1
I	28855	1/4"-28 X 3/8" Cup Point Set Screw	1
J	28610	Head Column	1
K	28680	1/4"-28 X 1/2" Cup Point Set Screw	2
L	28835	1/4"-28 X 7/8" Socket Head Cap Screw	2

ID	PART #	NAME	QTY USED
M	28590	Base	1
N	28840	1/4"-28 X 3/8" Dog Point Set Screw	1
O	28615	Crank Column	1
P	28770	Hook	1
Q	28655	6-32 X 1/4" Socket Head Cap Screw	3
R	28585	Crankshaft	1
S	28625	Main Crank Arm	1
T	28565	Crank Handle Mount Shaft	2
U	28700	Clip	2
V	28560	Crank Handle	2
W	28600	Wire Loop (Eye) Crankshaft	1
X	28620	Wire Loop (Eye) Crank Arm (Short)	1

NOTE: All Fasteners are Stainless Steel

- To order any replacement part, call toll-free **1-877-776-3474**.
- Our office hours are 9am - 3:30pm Monday through Friday CST (Chicago Time).
- We welcome any questions you may have via our toll-free number as well.

Wire Gauge - Head Size Chart

WIRE GAUGE	WIRE DIAMETER	HEAD SIZE	PART #
5 - 7	.014" - .018"	1	28570
8 - 10	.020" - .024"	2	28575
11 - 13	.026" - .031"	3	28580
14 - 15	.033" - .035"	4	28880
18 - 22	.041" - .050"	5	28885

DU-BRO Pro-Series Fishing & Marine Products

P.O. Box 310 • Wauconda • Illinois • 60084 • (877) 776-3474 • www.proseriesfishing.com