

Portable, efficient solar -
electric hybrid oven



gosun.co/manuals

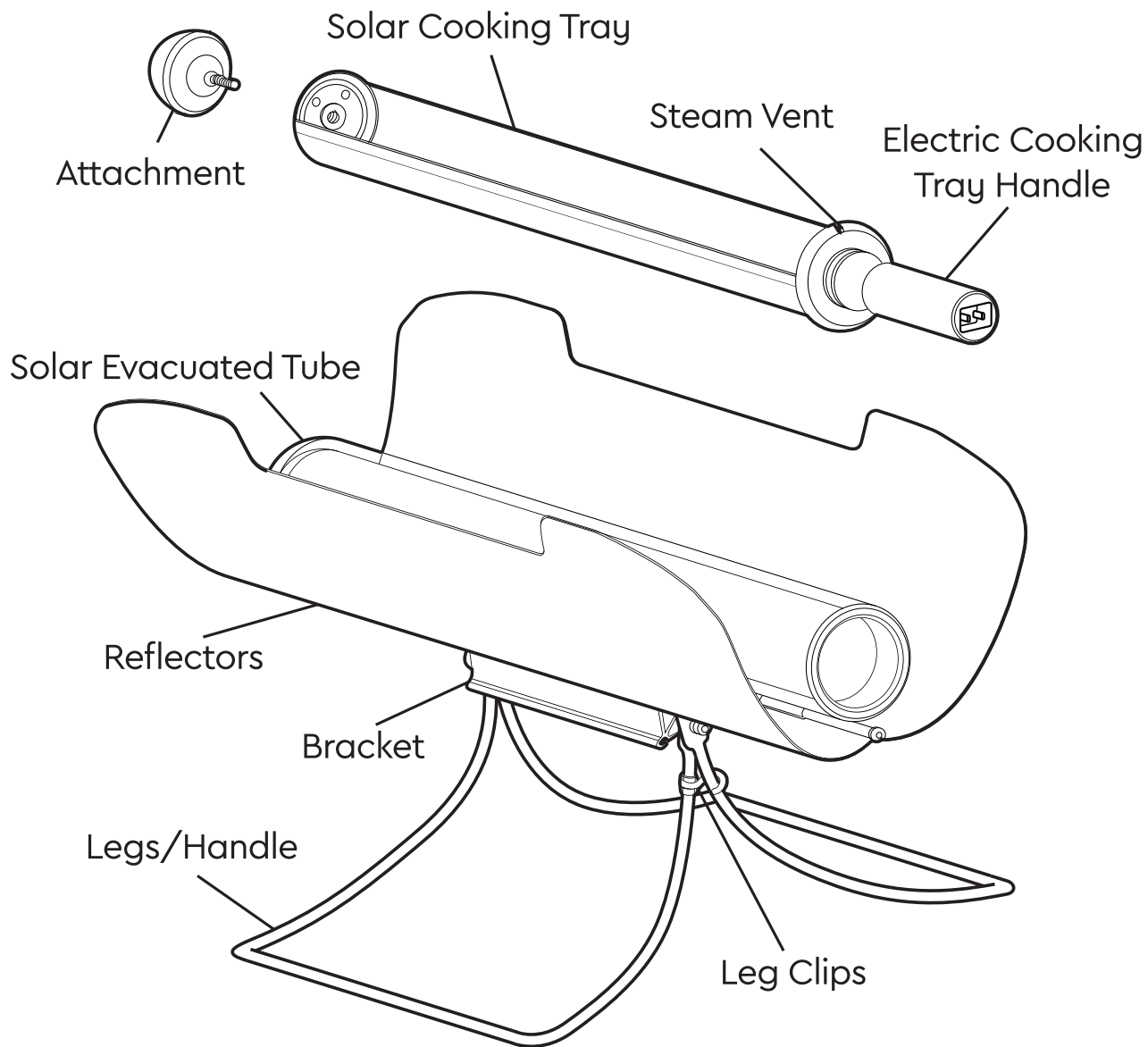
Manual de usuario en Espanol
Manuel d'utilisation en Français
Gebruikershandleiding auf Deutsch
日本語のユーザーマニュアル
中文用户手册



Table of Contents

- Part List & Specs 2
- Included Accessories 3
- Danger 4
- General Safety 5
- 01. Open Stove 6
- 02. Orient to Sun 7
- 03. Insert Food 8
- 04. Cook Food – Solar 9
- 05. Cook Food – Electric 10
- 06. Cook Times – Solar 11
- 07. Cooking Tips 12
- 08. Cleanup 13
- Maintenance 14
- Turn Vertical 15
- Tube Removal 16
- How it Works 17
- Liability Release 18
- Warranty 19–23
- Contact Us 24

Part List & Specs

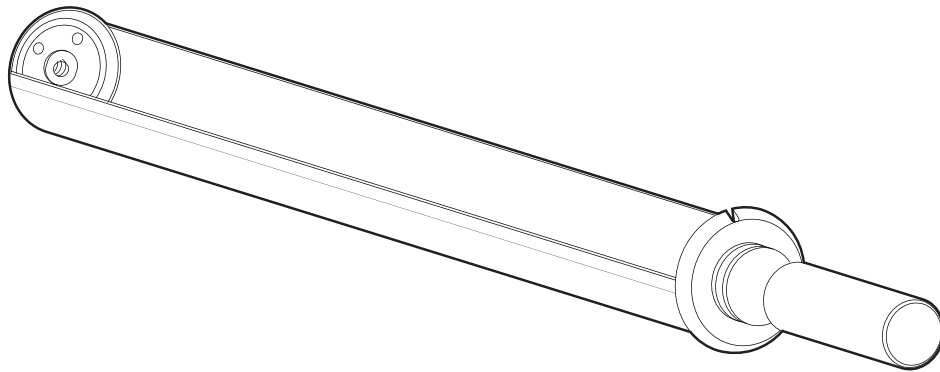


Dry Weight: 7 lbs (3.18kg) / Oven Volume: Up to 3 lbs (1.4 kg) of food /
Max Temp: 700°F (371°C) / Working Temp: 200°F (93°C) – 550°F (288°C)
/ Cooking Time: As fast as 10 minutes

Included Accessories

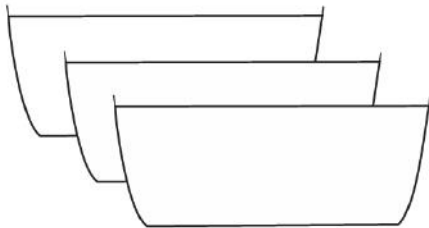
Electric Cooking Tray:

- Provides the flexibility to cook with solar or electric power source



Silicone Baking Trays:

- Removable silicone trays make clean-up a breeze.



Carrying Case:

- Ultra portable with handles and shoulder strap



go to www.gosun.co to learn more

Danger

Avoid thermal shock

- ✔ Don't preheat stove
- ✔ Don't place cold food inside hot tube
- ✔ Don't place liquids directly inside tube

Avoid burning the electric heater

- ✔ Don't electrically heat the cooking tray while empty

Contents are hot

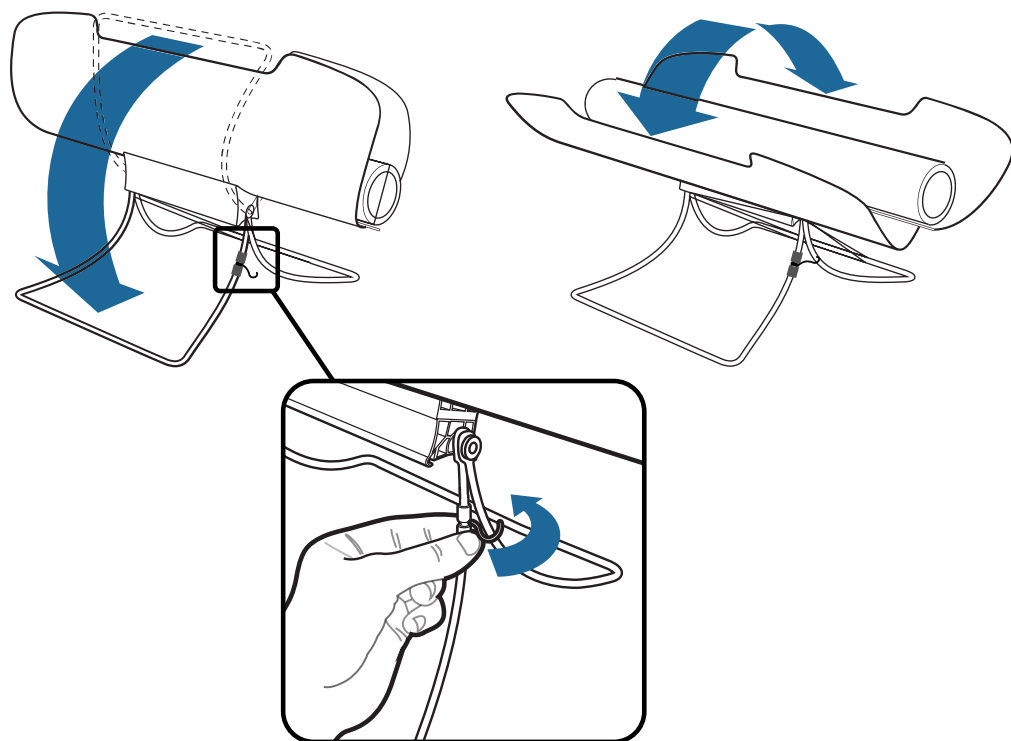
- ✔ Handle stove contents with extreme care.

General Safety

- ✓ Don't put plastic, paper, or non-edible items inside the GoSun Sport.
- ✓ This device is not intended for use near or by young children or cognitively impaired persons without supervision.
- ✓ Don't attempt to seal or pressurize the tube.
- ✓ Keep tube free of food debris, grit and sand.
- ✓ Don't remove warning labels unless specifically for temporary use.
- ✓ Don't transport tray inside of tube.
- ✓ When removing a broken evacuated tube, the resulting fragments are very sharp. Use caution and only handle shards wearing the appropriate protective gloves to avoid cuts.
- ✓ Fragile: don't drop the tube and be sure to protect it from impacts, scratches and other sources of stress.
- ✓ Be sure legs are securely locked in place before loading tube with cooking tray.
- ✓ Don't leave device deployed in the sun unattended.
- ✓ Keep surfaces of tube and reflectors clean with glass cleaner or mild soap.
- ✓ Device not intended for commercial use.
- ✓ Clean the cooking tray after every use. Clean the tube when needed and only after it has cooled down.
- ✓ Use GoSun implements only with your sport.

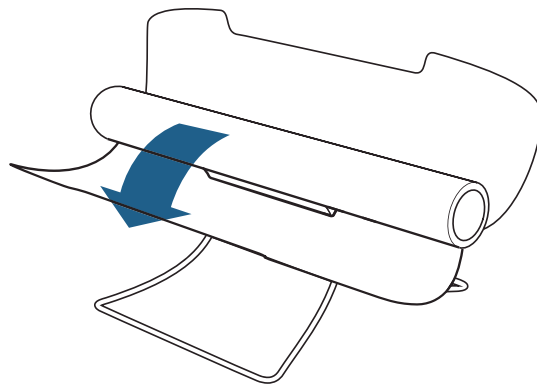
01. Open Stove

1. Remove from packaging and peel off protective plastic film on reflectors.
2. Remove cleaning attachment from the end of the tray.
3. Firmly screw the handle onto the cooking tray.
4. Hold the unit in one hand by grasping the central bracket and open legs (rotate about 120°) until they are positioned as shown in the picture.
5. Lock legs in place on both sides with leg clips.
6. Open reflectors until they stop.
7. Place GoSun Sport on flat surface or securely fasten if mounting.

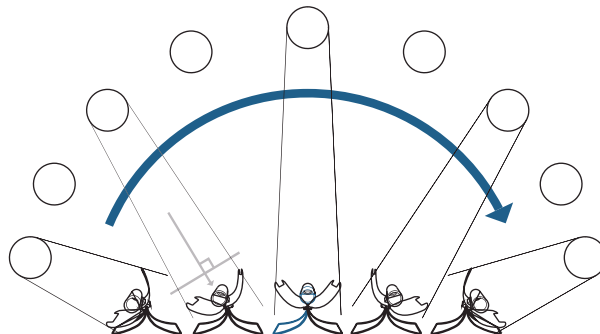


02. Orient to Sun

1. Please note: when cooking with electric, do not orient to sun. Skip to section 03.
2. Rotate the GoSun Sport until the reflectors are facing perpendicular to the sun.
3. Stand in front of the device with your head's shadow aligned on the tube.
4. Tilt device until the reflectors show only the blue of the tube. This indicates that the sun's rays will all be directed onto the tube.

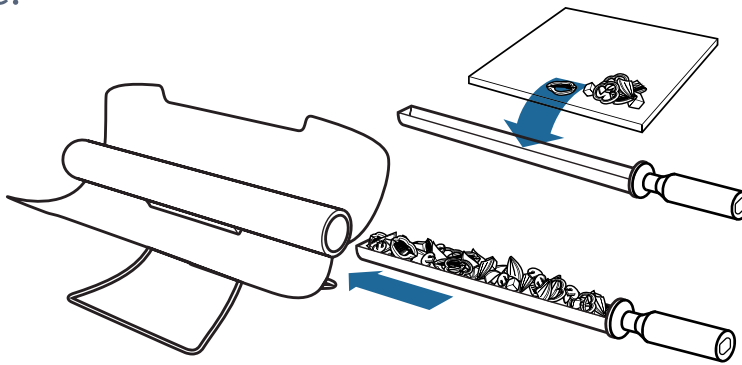


The GoSun Sport only has to be readjusted every hour or so as the sun moves through the sky.



03. Insert Food

1. Fill up the cooking tray with food.
2. To avoid thermal shock, don't allow the cooker to preheat in the sun for more than 10 minutes before placing food.
3. Ensure the steam vent is unblocked and faced upwards.
4. Insert cooking tray until handle seal interfaces with the mouth of the tube.



Warning

Do not insert cold food into hot tube

It can cause excess stress on the tube, known as thermal shock, which may weaken it or cause it to break.

Do not overload the cooking tray

Many foods expand when heated and can get stuck inside the tube.

Do not force the cooking tray in tube

It may break the tube or be difficult to remove.

04. Cook Food – Solar

1. Let the sun do its magic (see "Cook Times").
2. To reduce the temperature or slow cooking times, simply pull the device out of the sun's direct path or close the reflectors
3. Enjoy solar cooked food!



Warning – Contents Hot

Any item placed inside cooking tube can be extremely hot and cause severe burns.

Use Caution

When handling the device and implements. The GoSun stove can reach temperatures of up to 700°F, and will begin heating up as soon as it is exposed to sunlight. Because of the vacuum insulator, you cannot be burned by touching any exterior part of the GoSun Stove. However, inner components can be extremely hot and must be handled with care.

05. Cook Food – Electric

1. Locate the Power Cord.
2. Plug the Power Plug into the port on the Cooking Tray.
3. Plug the opposite end into any 12V (15AMP) power source, such as the Power144 or Power266.

Note:

Cooking with both the sun and electricity simultaneously is not recommended. Please close Reflectors before using Electrical Heating Element. When using a car as a source of power, be careful not to drain your car battery. GoSun recommends checking your car battery level before cooking each meal.

GoSun recommends a maximum of 90 min continuous cook times with electric heating element before checking battery levels and allowing 15min for all electrical components to cool before reuse.



Warning

Integrated Electric Heater will immediately get hot once plugged in. Handle with protective materials.

Intended for use with 12V, 15 AMP power sources. Check compatibility before plugging in.

Do not leave cooking unattended.

Do not turn on heat when the cooking tray is empty.

Device must be stationary when cooking.

Use only the DC Power Cord provided by GoSun.

06. Cook Times – Solar

	Full Sun	Med. Sun	Low Sun
Pre-Cooked Meals	15 min	30 min	1 hour
Steamed Veggies	20 min	35 min	1 hour
Seafood	20 min	50 min	1.5 hours
Baked Goods	25 min	1 hour	1.5 hours
Casseroles	35 min	1.2 hours	1.5 hours
Grains	45 min	1.3 hours	2 hours
Root Veggies	50 min	1.4 hours	2 hours
Meats	55 min	1.5 hours	2.5 hours
Soups, Hot Water	1 hour	1.5 hours	2.7 hours

The GoSun Sport's performance is unaffected by ambient temperatures and wind, cooking meals in frigid temperatures just as well as in hot weather. High humidity, pollution, and diffused light (general overcast or "thick" air) can significantly impact cooking times due to light scattering. In humid climates, the GoSun Sport will be most efficient in the spring and fall. It will not work in full shade using solar. If cooking in shaded conditions, please use the electrical cooking capability of the cooking tray.

07. Cooking Tips

- ✔ Applying aluminum foil, oil and butter to the cooking trays before adding food helps to prevent it from sticking to the steel surface as it cooks
- ✔ Heat is generally distributed evenly to food in the tube but foods at the end of the tray (away from handle) tend to cook faster than foods near the tubes opening.
- ✔ Baked foods typically expand considerably (more than twice the uncooked volume), so start with small quantities and work up to the full tube size.
- ✔ The GoSun Sport tends to trap large amount of moisture from cooking food, and can be used to easily steam vegetables. For a crispier meal, allow the steam to escape by keeping an opening near the hang and drain the fluids periodically.
- ✔ Sausages that curl when heated should be cut in half to prevent them from getting stuck.

Other Resources

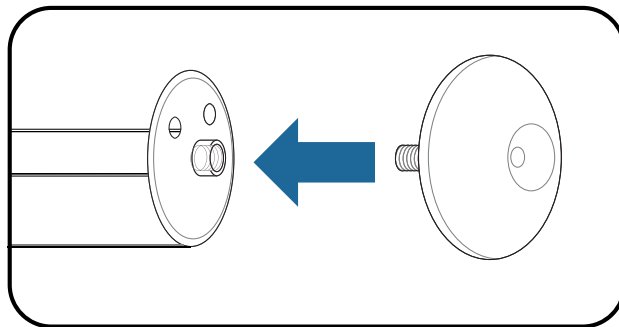
www.gosun.co/blogs

<https://www.facebook.com/groups/gosun>

Log on and join other GoSun enthusiasts to learn and share recipes and cooking tips.

08. Cleanup

1. Allow the device to completely cool down out of the sun – this can take over an hour.
2. Screw the cleaning scrubby tool to the far end of cooking tray (leave handle in place).
3. Fill tube with about 0.5 liters or 8oz of water and a squirt of dish soap.
4. Insert cooking tray in cool tube and twist in a clockwise direction while plunging up and down.
5. Rinse tray and tube as needed with water (tube must be cool).



Warning

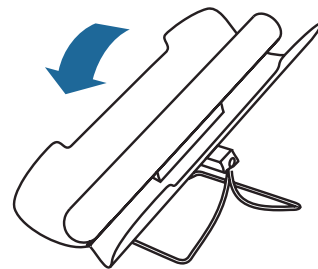
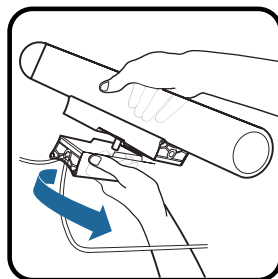
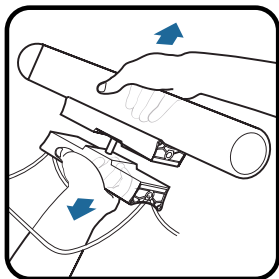
Do not use harsh abrasives, caustic cleaners or oven cleaners on this device. It can cause scratching and structural damage to the tray.

Maintenance

1. Hand wash only. The stainless steel cooking tray can easily be cleaned by hand. Due to electronics inside the handle and on the tray, the tray should never be cleaned in the dishwasher.
2. It is recommended that you clean the inside of the glass tube after every three uses to prevent build-up of grease or food matter, which can affect the flavor of food.
3. Clean the cooking tray after every use, clean the tube when needed and only after it has cooled down.
4. If the reflectors become deformed due to an impact or other accident, they may be returned to their original shape by bending by hand. A printable reflector is available at (<http://gosunstove.com/reflectorprofile>) and can be cut to check the shape.
5. If the GoSun cooking tray becomes deformed after extensive use and becomes noticeably harder to insert into the tube, it can be remedied by squeezing the tray by hand.
6. If the evacuated tube breaks, it can be removed and replaced by following the "Tube Removal" section on Page 16. The GoSun Sport uses the best evacuated tubes available on the market, however if they are damaged, a barium layer will oxidize and a white film will appear on the inside of the outer tube, indicating that the tube should be replaced.

Turn Vertical

1. Start with locked legs and open reflectors (See "Open Stove" directions).
2. Grip the center of the tube firmly in one hand, and the bottom bracket in the other.
3. Pull them away from each other until the top and bottom bracket separate enough to rotate (may require more force than expected).
4. Twist the tube 90°, then gently release the tube as it locks in its new place on the bottom bracket.
5. Orient the sport in the vertical position by pointing reflector tips toward the Sun.



Warning

Do not boil water or cook food directly in the tube: always use either the GoSun cooking trough, the boiling insert, or another product specifically designed for use in the GoSun Sport.

Tube Removal

For cleaning and repairing purposes, the tube can be removed from the rest of the device with the following procedures:

1. Orient Sport into Vertical Position (see "Turn Vertical").
2. Locate tube release set screws on the under side of the top bracket.
3. Using a screwdriver, loosen set screws no more than three rotations counterclockwise.
4. Firmly grasping tube in one hand and bracket in the other, slide tube out of the bracket by pushing the tube toward the closed end. Be careful not to force the tube or knock it on hard surfaces.
5. Repeat these steps in reverse order to put tube back in place. Don't forget to tighten the set screws.

To mount onto a tripod:

1. Only use a tripod capable of handling the weight and torque of the GoSun Sport loaded with food.
2. Locate the tripod mount on the underside of the top bracket by rotating bracket to the vertical mode (see "Turn Vertical").
3. Connect tripod into the 1/4 20 female threaded slot.
4. Be sure to tighten securely.
5. Use the tripod's head to adjust the tilt angle.

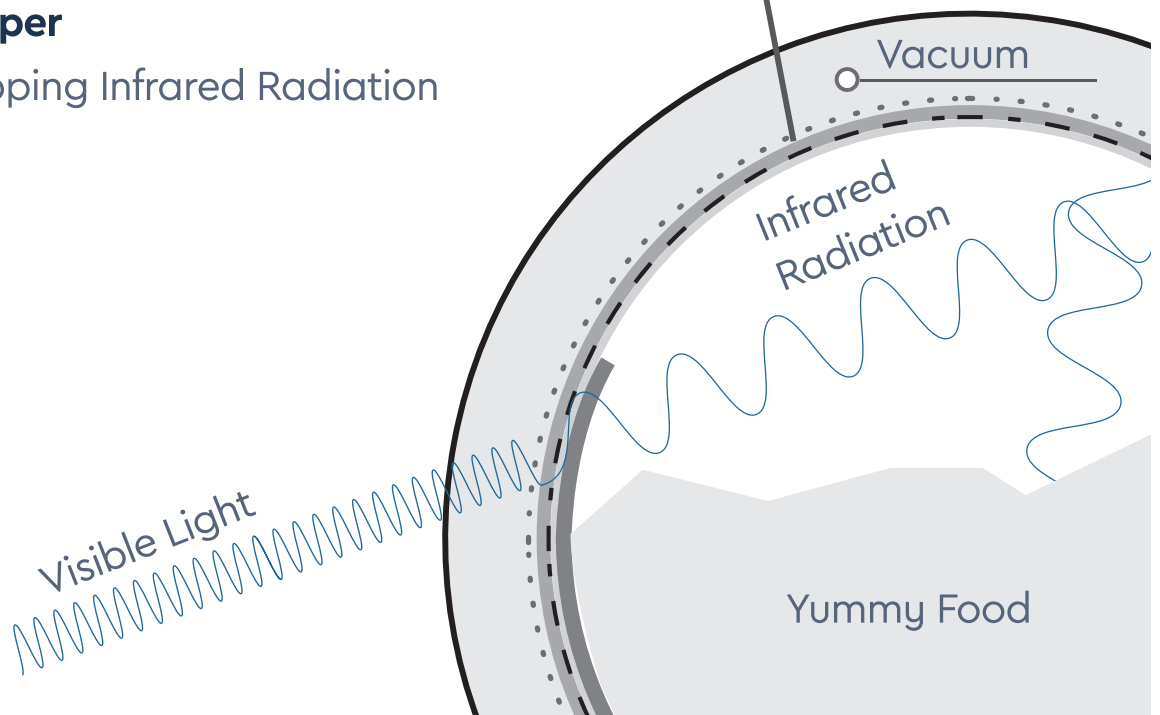
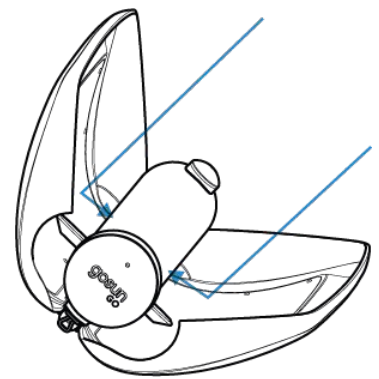
How it Works

Outer Space in a Tube

At the heart of the GoSun oven is the evacuated glass tube. It's not only a superior absorber of light, but also a fantastic insulator.

External Coatings

-  **Aluminum Nitride**
Catching and Absorbing Light
-  **Stainless Steel**
Conducting Heat
-  **Copper**
Trapping Infrared Radiation



Liability Release

By using the GoSun Sport, the purchaser and user acknowledges that cooking is an activity that puts you at some amount of risk. The Purchaser and User also acknowledge that it is critical to have read and understood the entire contents of the User's Manual. GoSun Inc. is not liable for damage or injury caused by misuse, abuse, or results from failure to implement the proper safety precautions.

The purchaser and user will thus release of the rights to sue for injuries or death resulting from the purchased, donated, loaned, rented, modified, or repaired equipment received from GoSun.

Purchaser and users also understands that GoSun Inc., and its employees, owners, officers, or agents (hereinafter "Released Parties"), shall not be held liable or responsible in any way for injury, death, or other damages to the User or his/her family, heirs, or assigns which may occur as a result of the sold, donated, loaned, repaired, or modified equipment, or as a result of product defect, wear and tear, or the negligence of any party, including the released parties, whether passive or active.

Warranty

Warranty Activation

To activate your warranty, register at www.gosun.co/register

The GoSun Sport evacuated tube is made of glass — It uses the same tough borosilicate glass as Pyrex, but it can break. All purchases are backed with a Two-Year Limited Tube Warranty on the evacuated tube.

We're ensuring your satisfaction with a No-Questions-Asked-Policy; if you break the tube for any reason, we will cover the one-time cost of a new tube. You will have to cover a nominal shipping and handling fee. You will be required to provide some information, but you will not have to return the damaged tube.

To claim your warranty, read the Warranty Policy below and send an email to warranty@gosun.co and follow instructions provided. Please direct your warranty inquiries either to your local retailer or to internationalwarranty@gosun.co.

The rest of the package is guaranteed from manufacturing defects by a One-Year Limited Warranty. This does not cover damage caused by normal wear and tear, accident, improper care or cleaning, non-standard usage or negligence. Any replacements or exchanges will be at the discretion of GoSun, based on the type of product sent in and

the availability of replacement parts. Typically, most issues can be resolved with a little guidance or a replacement part.

Warranty Policy

GoSun Inc. extends this Limited Warranty to the original end-use purchaser of GoSun products* (including GoSun Mini, GoSun mighty, each a "Product") or the person receiving a product as a gift, provided that the GoSun product was purchased from an Authorized Dealer as defined below. The Limited Warranty does not extend to any other person or transferee. Statutory or common law may provide additional rights or remedies that vary from state to state, and country to country, which are not affected by this Limited Warranty.

Definitions

"Authorized Dealer" means any distributor, reseller or retailer that was duly authorized by GoSun at the time of the sale to sell authentic GoSun products in the jurisdiction where it sold the product, and that sold the product in new, unused condition in its original packaging.

"Fraud or Misrepresentation" means misrepresenting any fact related to a warranty claim to GoSun, including the nature of defect, whether the Product was purchased from an authorized dealer, and the authenticity of the product. "Intended Use" means use of the product (a) for food preparation, (b) for private (as opposed to commercial) purposes, (c) in conformity with all applicable local, state or federal law, code or regulations, (d) in accordance with GoSun recommendations and/or instructions in the materials and documentation that accompany the product.

Scope of Two-Year Limited Tube Warranty

Evacuated tube failures claimed, submitted, reviewed and approved by GoSun, within two years of original purchase, will convert into a One-Time Tube Credit to the purchaser. The One-Time Tube Credit is then applied to a replacement tube to be sent directly to the purchaser's address of choice. This credit may not be used toward any other GoSun products such as GoSun apparel and accessories. Note that GoSun regularly changes the models, and styles of its products and cannot guarantee the availability of an exact replacement for any product. The purchaser will be responsible for the cost of shipping and handling fees to receive their replacement tube. The exact cost for shipping and handling will be covered during the warranty claim process.

Scope of One-Year Limited Tube Warranty

GoSun provides a One-Year Limited Warranty against Manufacturing defects for all authentic GoSun products. If a product contained a manufacturing defect when it was purchased from an authorized dealer, GoSun, at its sole discretion, will (i) repair, (ii) replace, or (iii) provide a Warranty Credit for the Product on the GoSun online store. The amount of the Warranty Credit shall be equal to the purchase price of the product paid to the authorized dealer. GoSun reserves the right to inspect any product subject to a warranty claim to determine, at its sole discretion, whether the claimed defect is a manufacturing defect or otherwise.

Warning

GoSun does not assume any liability for any incidental, consequential or indirect damages under this limited warranty.

Terms and Conditions

By submitting this warranty request, you agree to the Following terms and conditions:

- ☑ In the case of Fraud or Misrepresentation, GoSun reserves the right to deny all warranty coverages or claims.
- ☑ Risk of Loss- GoSun is not responsible for any Product that is lost in shipping and not actually received by GoSun. To avoid unnecessary delays and minimize the possibility of a lost Product, we strongly suggest that you use the return label provided to you by GoSun's online warranty system to send your Product to GoSun. No warranty will be provided for any Product not actually received by GoSun.
- ☑ GoSun reserves the right to determine, at its sole discretion, whether a defect is a manufacturing defect and what type of credit or replacement shall be issued, if any.
- ☑ All warranty Products sent to GoSun will not be returned to you for any reason. Defective Products may be subject to engineering analysis and recycling, as part of our continued commitment to improving the quality of our products and the environment.

Choice of Law/Jurisdiction

This limited warranty and any disputes arising out of or in connection with this limited warranty ("disputes") shall be governed by the laws of the state of Ohio, USA, excluding conflicts of law principles and excluding the Convention for the International Sale of Goods. The courts located in the state of Ohio, USA shall have exclusive jurisdiction over any disputes.

Other Rights

This limited warranty gives you specific legal rights, and you may also have other rights, which vary from state to state and jurisdiction to jurisdiction, and which shall not be affected by this limited warranty. This warranty extends only to you and cannot be transferred or assigned. If any provision of this limited warranty is unlawful, void or unenforceable, remaining provisions. In case of any inconsistency between the English and other versions of this limited warranty, the English version shall prevail.

Refunds and Exchanges

All refunds and exchanges are handled through your retailer or distributor.



Need help?

 +1 888.868.6154

 support@gosun.co

 gosun.co/help-center

gosun

@gosun



Patent pending in USA & other countries.
Copyright © 2021 GoSun Inc. All rights reserved

 +1 888.868.6154

 support@gosun.co