

gosun[®] SOLAR OVEN KIT[™] User Manual

Ultra portable, lightweight
solar cooker



gosun.co/manuals

Manual de usuario en Espanol
Manuel d'utilisation en Français
Gebruikershandleiding auf Deutsch
日本語のユーザーマニュアル
中文用户手册



Table of Contents

- Warnings: Caution 2
- General Safety Information 3
- Parts List 4
- Operating Instructions – Cooking**
- 1. Setup Instructions 5
- 2. Attach Frames to the Tube 6
- 3. Slide Reflectors into Frames 7
- 4. Orient to Sun 8
- 5. Insert Food 9
- 6. Cook Food 10
- 7. Cook Times 11
- 8. Cooking Tips 12
- 9. Cleanup 13
- Additional Product Info**
- Maintenance 14
- How it Works 15
- Product Specifications 16
- Liability Release 17
- Warranty 18–20
- Contact Us 21

Warnings: Caution

Avoid Thermal Shock

- ✓ Don't preheat stove
- ✓ Don't place cold food inside hot tube

Contents Hot

- ✓ Handle stove contents with extreme care.

Avoid Overheating

- ✓ Do not leave empty stove open and in the sun

Avoid Risk of Fire

- ✓ Do not cover oven with, or operate oven near flammable items
- ✓ Do not stack anything on or above the solar oven when in operation

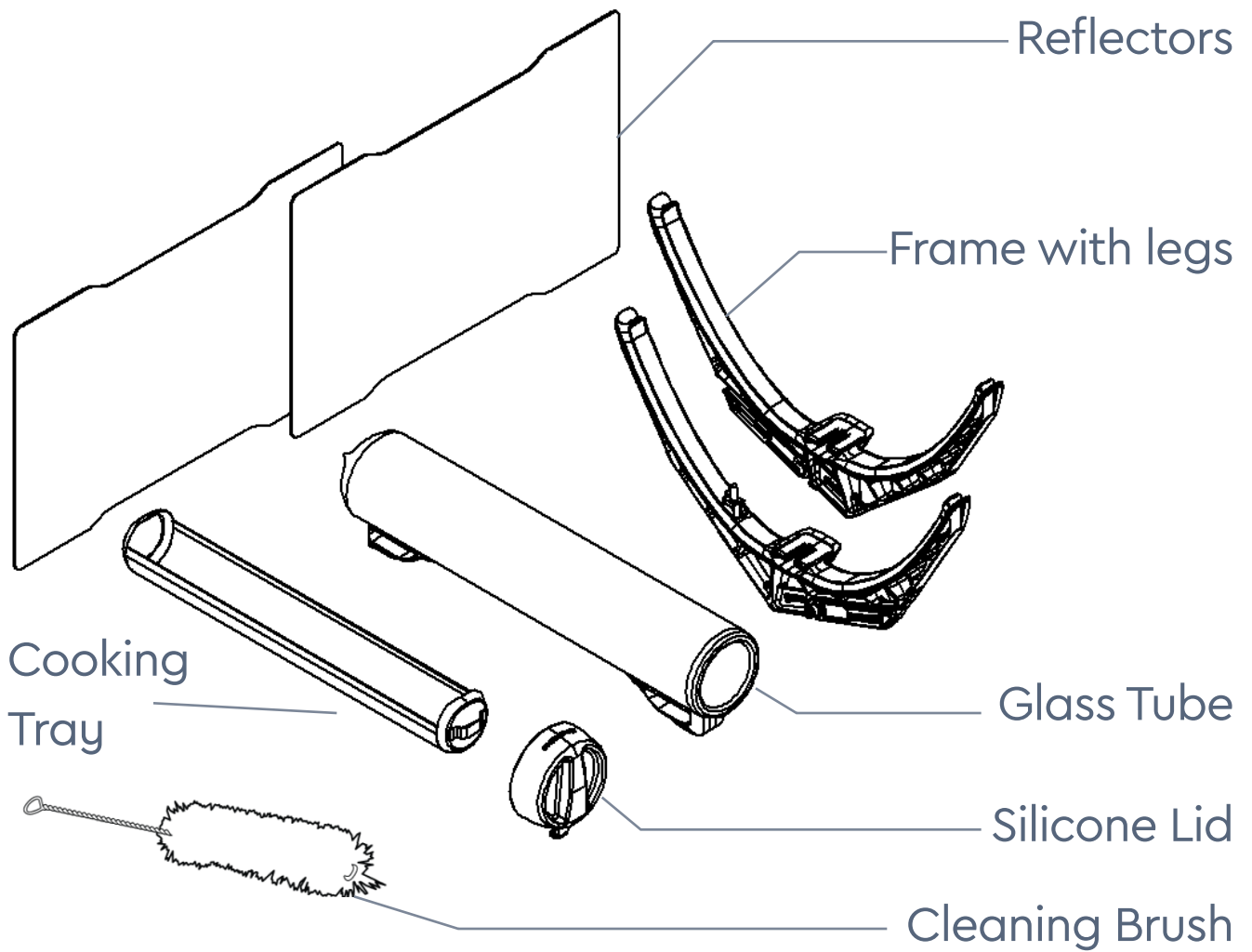
Avoid Looking at Reflected Sunlight

- ✓ Do not look at the reflectors while you are alligning the solar oven towards the sun.

General Safety Information

- ✔ Do not put plastic, paper or non-edible items inside the GoSun Solar Oven Kit.
- ✔ This device is not intended for use near or by young children or cognitively impaired persons without supervision.
- ✔ Do not attempt to seal or pressurize the Tube.
- ✔ Keep Tube free of food debris, grit and sand.
- ✔ When removing a broken evacuated Tube, the resulting fragments are very sharp. Use caution and only handle glass shards wearing the appropriate protective gloves to avoid cuts.
- ✔ Fragile: Do not drop the Tube and be sure to protect it from impacts, scratches and other sources of stress.
- ✔ Be sure that the frames are securely snapped into place before loading Tube with Cooking Tray.
- ✔ Do not leave device deployed in the Sun unattended.
- ✔ Device not intended for commercial use.
- ✔ Clean the Cooking Tray after every use. Clean the Tube when needed and only after the Tube has cooled down.
- ✔ Use GoSun Implements only with your GoSun solar oven.

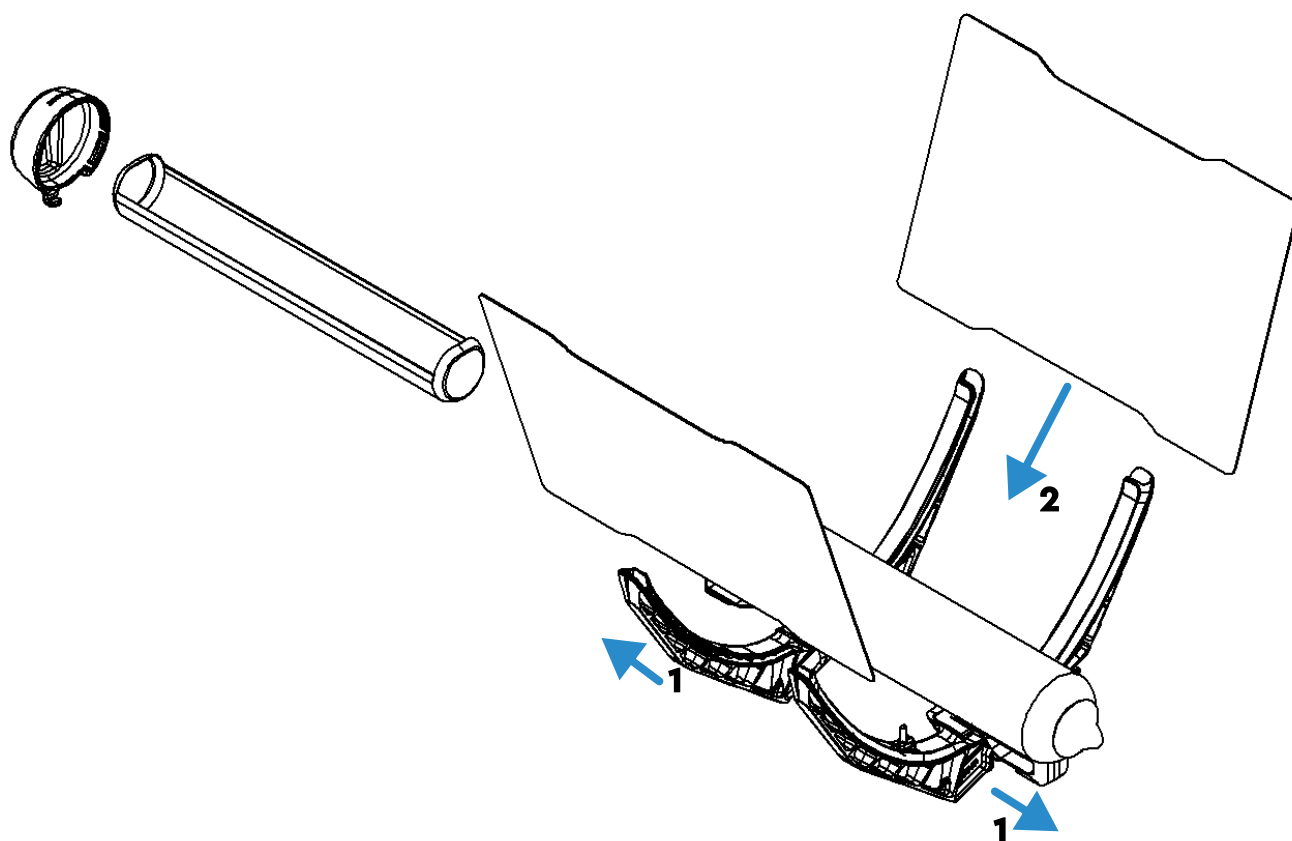
Parts List



1. Setup Instructions

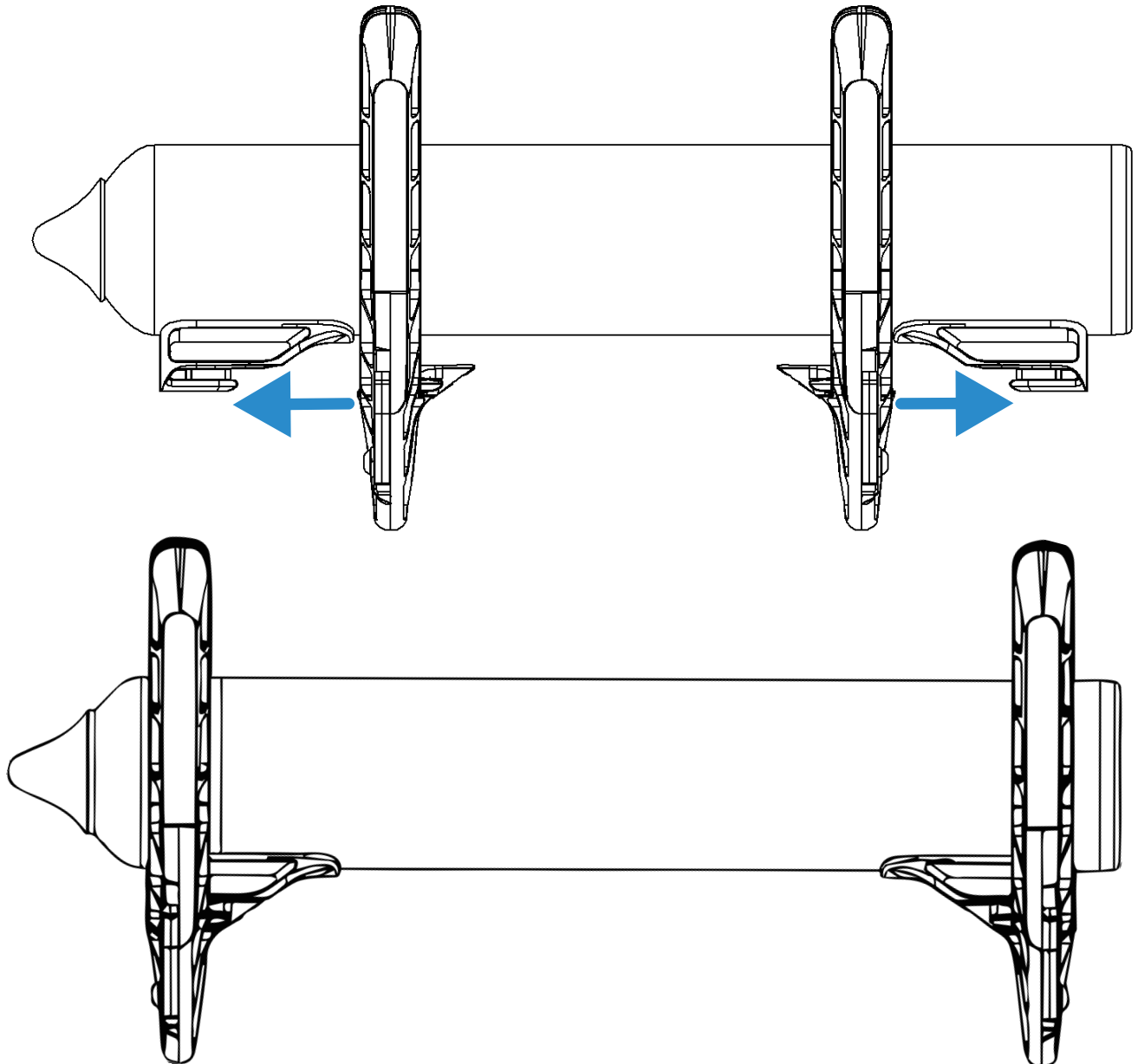
Setup summary. Please refer to the following pages for complete step-by-step instructions.

- a. Remove all the parts from the box.
- b. Take the Glass Tube out of the air pouch.



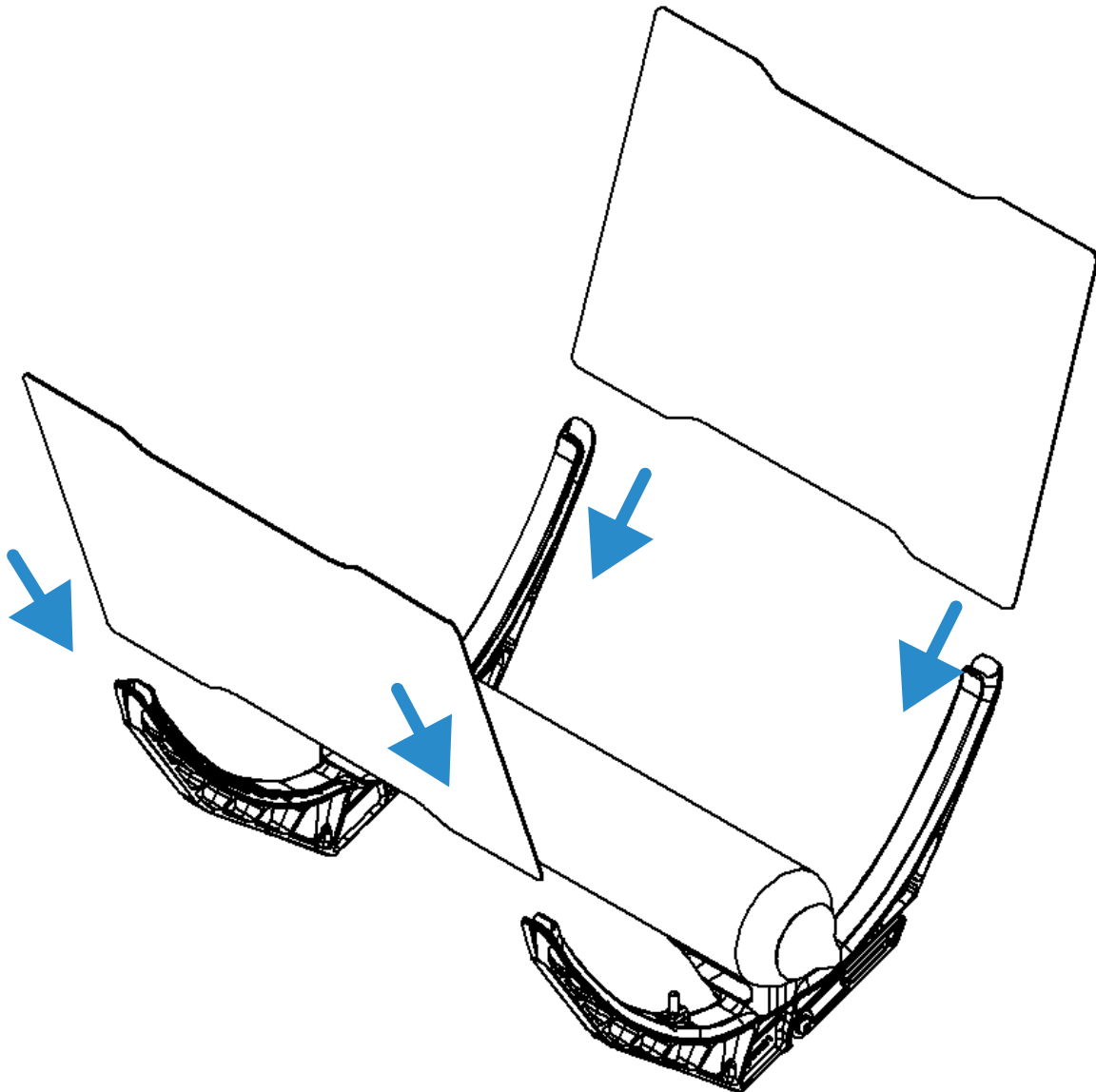
2. Attach Frames to the Tube

- a. Slide the Frames into the Tube Clips until they are fully together, as shown below.



3. Slide Reflectors into Frames

- a. Remove protective plastic film from the reflectors
- b. Slide the reflectors in-between the frames to complete the setup.

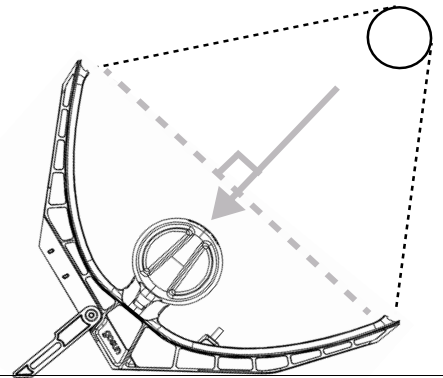
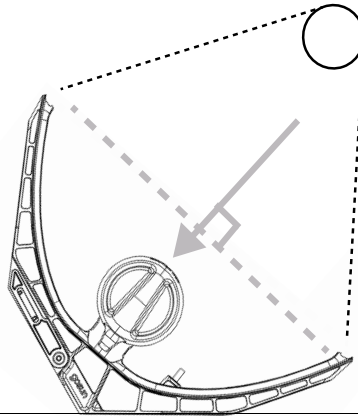
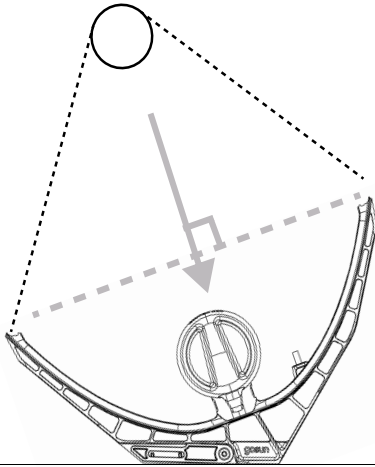


4. Orient to Sun

Sun high in the sky
(noon / early
afternoon)

Sun middle in the
sky (late morning /
early afternoon)

Sun low in the sky
(morning / evening)

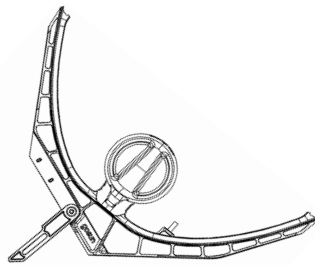


**Base Tilt
Mode 1**

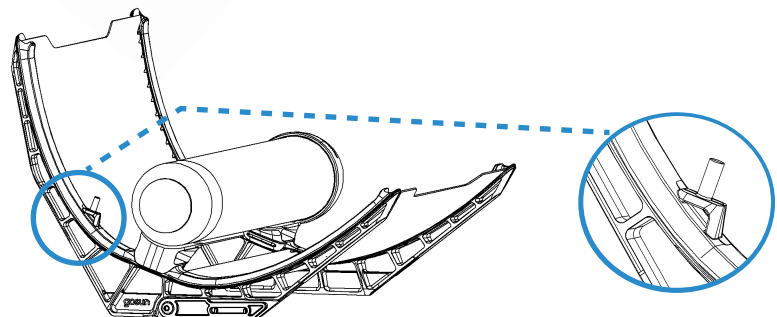
**Base Tilt
Mode 2**

**Kickstand
Tilt Mode**

Kickstand hinges out
from base of each frame.

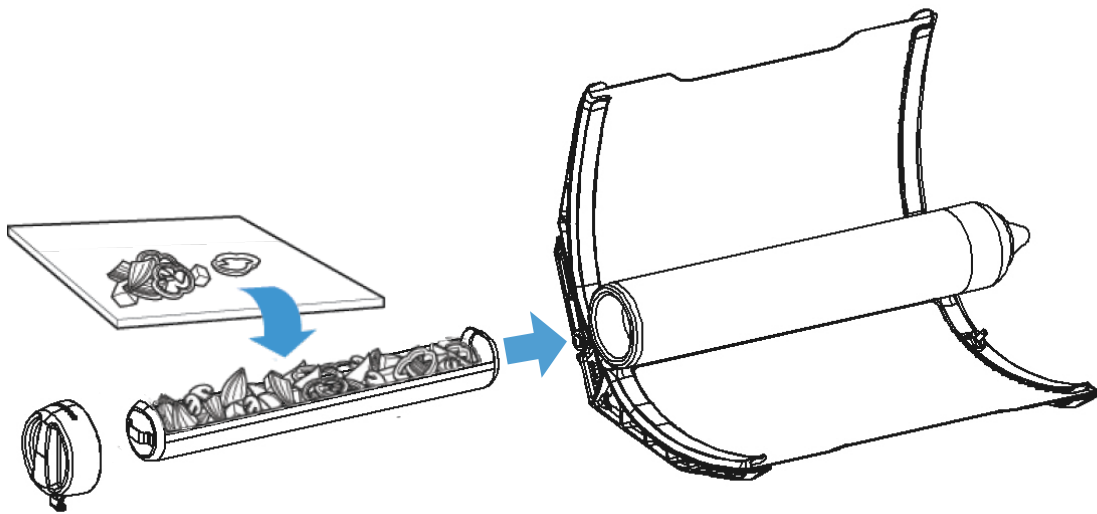


Minimize the shadow cast
by the sundial to optimize
the orientation of the
solar oven.



5. Insert Food

- a. Fill the Cooking Tray with food.
- b. Do not allow the cooker to preheat in the Sun before placing food inside to avoid thermal shock of the glass tube.
- c. Insert cooking tray and use the lid to cover the mouth of the tube.
- d. Ensure the Tray remains facing upwards throughout use.



Warning

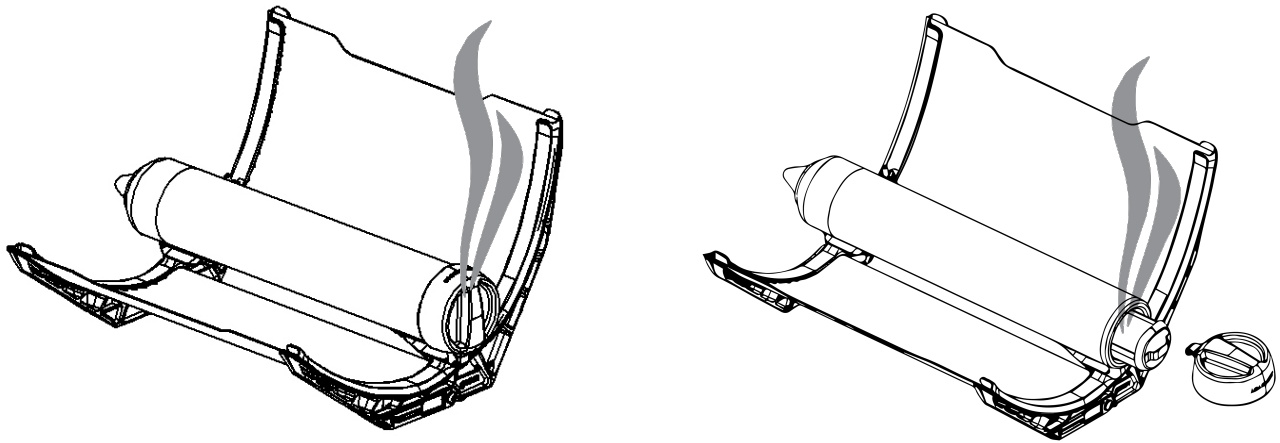
Do not insert cold food into a hot Tube. It can cause excess stress on the Tube, known as Thermal Shock, which may weaken it or cause it to shatter.

Do not overload the Cooking Tray. Many foods expand when heated and can get stuck inside Tube.

Do not force the Cooking Tray in the Tube. It may break the Tube or be difficult to remove.

6. Cook Food

- Let the Sun do its magic (see "Cook Times").
- To reduce the temperature or slow cooking times, simply shift the device into partial shade or remove one of the reflectors.
- Enjoy solar-cooked food!
- When the food and tray are hot, the "hook" on the silicone lid can be used to slide the tray out of the tube.



Warning

Hot Contents. Any item placed inside cooking tube can be extremely hot and cause severe burns.

Use Caution when handling the device and implements.

The GoSun Solar Oven Kit can reach temperatures of up to 550°F (287°C), and will begin heating up as soon as it is exposed to sunlight. Because of the vacuum insulator, you cannot be burned by touching any exterior part of the GoSun Solar Oven Kit. However, inner components can be extremely hot and must be handled with care.

7. Cook Times

	Full Sun	Med. Sun	Low Sun
Pre-Cooked Meals	15 min	35 min	1 hour
Veggies	20 min	35 min	1 hour
Seafood	20 min	50 min	1.5 hours
Baked Goods	25 min	1 hour	1.5 hours
Casseroles	35 min	1.2 hours	1.5 hours
Grains	45 min	1.3 hours	2 hours
Root Veggies	50 min	1.4 hours	2 hours
Meats	55 min	1.5 hours	2.5 hours

The performance of the GoSun Solar Oven Kit is unaffected by ambient temperatures and wind. It will cook meals in frigid temperatures just as well as in hot weather. High humidity, pollution, and diffuse light (generally overcast or "thick" air) can significantly impact cooking times due to light scattering. In humid climates, the GoSun Solar Oven Kit will be most efficient in the spring and fall. It will not work in the shade.

8. Cooking Tips

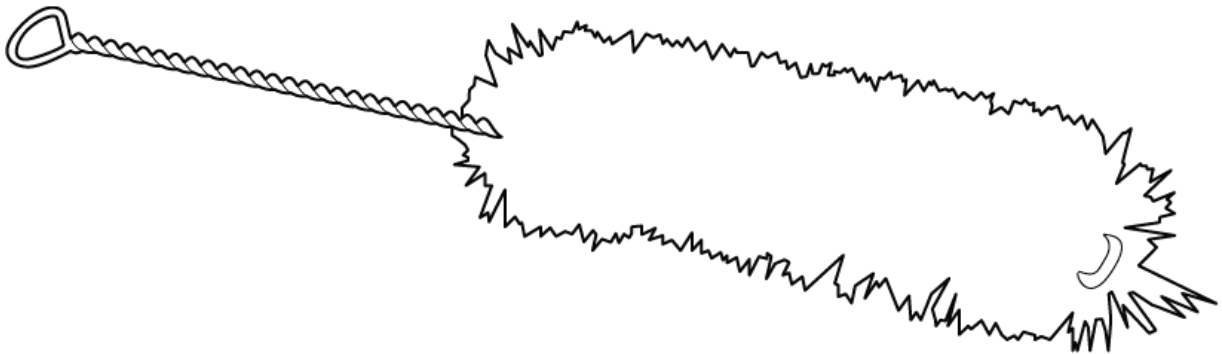
- Applying aluminum foil, oil or butter to the Cooking Tray before adding food helps to prevent sticking.
- Heat is generally distributed evenly to food in the Tube, but foods at the end of the Tray (away from the lid) tend to cook faster than foods near the Tube's opening.
- Baked foods typically expand considerably (more than twice the uncooked volume), so start with small quantities and work up to the full tube size.
- The GoSun Solar Oven Kit tends to trap moisture from cooking food and can be used to easily steam vegetables. For a crispier meal, allow the steam to escape by removing the lid periodically.
- Sausages that curl when cooked should be cut in half to prevent them from getting stuck in the tube.

Other Resources:

- gosun.co
- www.facebook.com/groups/gosun/
Log on and join other GoSun enthusiasts to learn and share recipes and cooking tips

9. Cleanup

- a. Allow the device to completely cool down out of the Sun with the lid off — this can take over an hour.
- b. Locate cleaning brush included in the package.
- c. Fill the Tube with about 0.5 liters or 8 oz of water and a squirt of dish soap.
- d. Hold unit upside down over sink. Insert cleaning brush in cool Tube and twist while plunging up and down.
- e. Rinse tray and tube as needed with water (tube must be cool).



Warning

Do not use harsh abrasives, caustic cleaners or oven cleaners on this device.

Maintenance

1. Clean the Cooking Tray after every use, clean the Tube when needed and only after it has cooled down.
2. The stainless steel Cooking Tray can easily be cleaned by hand; it can also be cleaned by placing the Tray into the dishwasher.
3. It is recommended that you clean the inside of the glass tube occasionally to prevent build-up of grease or food matter, which can affect the flavor of food.
4. Keep surfaces of tube and reflectors clean with glass cleaner or mild soap.
5. If the GoSun Cooking Tray becomes deformed after extensive use and becomes noticeably harder to insert into the tube, it can be remedied by squeezing the tray by hand.
6. The GoSun Solar Oven uses the best evacuated tubes available on the market. However, if the glass Tube is damaged and the vacuum seal is broken, a barium layer will oxidize and a white film will appear on the inside of the outer Tube, indicating that the tube should be replaced.

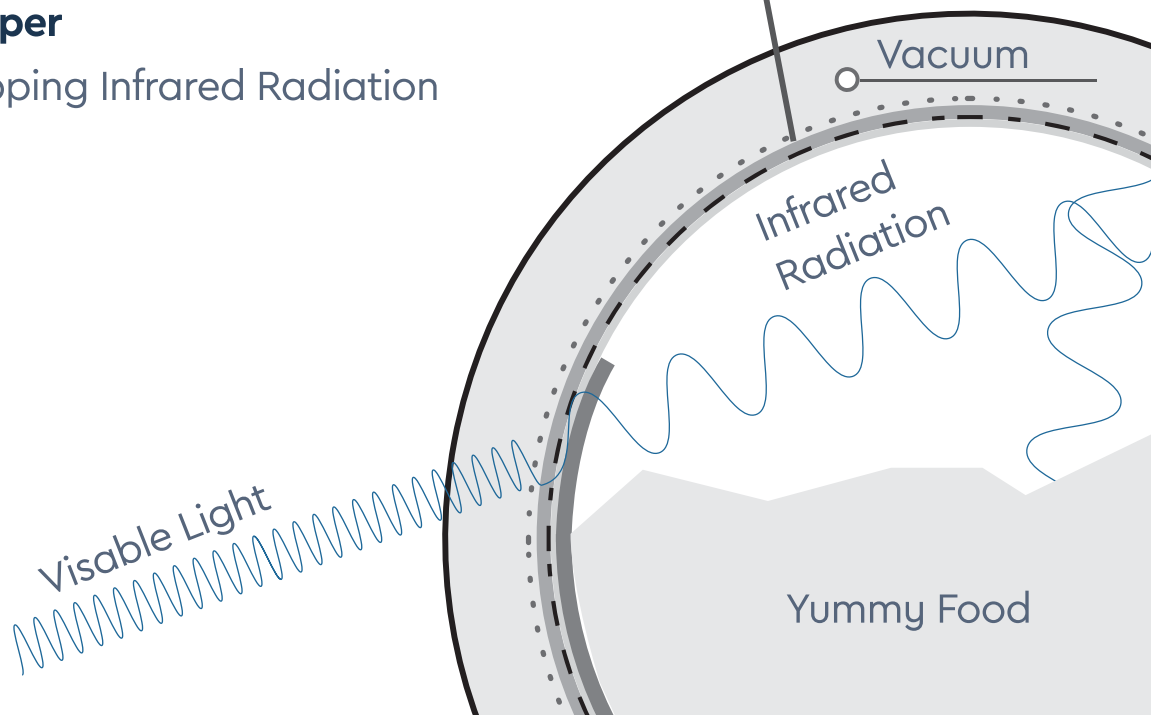
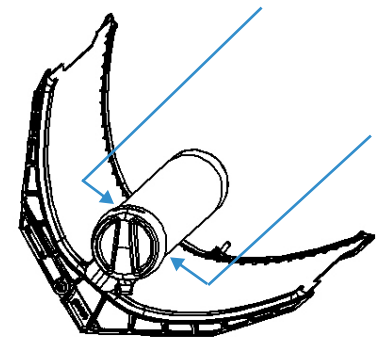
How it Works

Outer Space in a Tube

At the heart of the GoSun is the evacuated glass tube. It's not only a superior transmitter of light, but also a fantastic thermal insulator.

External Coatings

-  **Aluminum Nitride**
Catching and Absorbing Light
-  **Stainless Steel**
Conducting Heat
-  **Copper**
Trapping Infrared Radiation



Specifications

- **Cooking Capacity:** 12.5 fl oz (370 mL)
- **Dry Weight:** 1.4 lbs (0.6 kg)
- Box Dimensions:
Length: 17" (43.2 cm),
Height: 5" (12.7 cm),
Width: 8.5" (21.6 cm)
- Assembled Dimensions:
Length: 14.2" (35.5 cm),
Height: 8" (20.3 cm),
Width: 12" (30.5 cm)
- **Maximum Temperature:** 550 °F (288 °C)
- **Working Temperature:** 200 °F (93 °C) – 450 °F (232 °C)

Liability Release

By using the GoSun Solar Oven Kit, the Purchaser and User acknowledges that cooking is an activity that puts you at some amount of risk. The Purchaser and User also acknowledge that it is critical to have read and understood the entire contents of the User's Manual. GoSun is not liable for damage or injury caused by misuse, abuse, or results from failure to implement the proper safety precautions.

The Purchaser and User will thus release of the rights to sue for injuries or death resulting from the purchased, donated, loaned, rented, modified, or repaired equipment received from GoSun.

Purchaser and Users also understands that GoSun, and its employees, owners, officers, or agents (hereinafter "Released Parties"), shall not be held liable or responsible in any way for injury, death, or other damages to the User or his/her family, heirs, or assigns which may occur as a result of the sold, donated, loaned, repaired, or modified equipment, or as a result of product defect, wear and tear, or the negligence of any party, including the Released Parties, whether passive or active.

Warranty

To activate your warranty, register at:
gosun.co/register

The GoSun Solar Oven Kit's evacuated tube is made of glass — It uses the same tough borosilicate glass as Pyrex, but it can break. All purchases are backed with a One-Year Limited Tube Warranty on the evacuated tube.

We're ensuring your satisfaction with a No-Questions-Asked-Policy; if you break the tube for any reason, we will cover the one-time cost of a new tube. You will have to cover a nominal shipping and handling fee. You will be required to provide some information, but you will not have to return the damaged tube. To claim your warranty, read the Warranty Policy below and send an email to support@gosun.co and follow instructions provided. Please direct your warranty inquiries either to your local retailer or to GoSun at support@gosun.co.

The rest of the package is guaranteed from manufacturing defects by a One-Year Limited Warranty. This does not cover damage caused by normal wear and tear, accident, improper care or cleaning, non-standard usage or negligence. Any replacements or exchanges will be at the discretion of GoSun Stove, based on the type of product sent in and the availability of replacement parts. Typically, most issues can be resolved with a little guidance or a replacement part.

Warranty Policy

GoSun, Inc. extends this Limited Warranty to the original end-use purchaser of GoSun products* or the person receiving a Product as a gift, provided that the GoSun Stove Product was purchased from an Authorized Dealer as defined below. The Limited Warranty does not extend to any other person or transferee. Statutory or common law may provide additional rights or remedies that vary from state to state, and country to country, which are not affected by this Limited Warranty.

Definitions

"Authorized Dealer" means any distributor, reseller or retailer that was duly authorized by GoSun at the time of the sale to sell authentic GoSun products in the jurisdiction where it sold the Product, and that sold the Product in new, unused condition in its original packaging.

"Fraud or Misrepresentation" means misrepresenting any fact related to a warranty claim to GoSun, including the nature of the defect, whether the Product was purchased from an Authorized Dealer, and the authenticity of the Product. "Intended Use" means use of the Product (a) for food preparation, (b) for private (as opposed to commercial) purposes, (c) in conformity with all applicable local, state or federal law, code or regulations, (d) in accordance with GoSun recommendations and/or instructions in the materials and documentation that accompany the Product.

Scope of One-Year Limited Tube Warranty

Evacuated tube failures claimed, submitted, reviewed and approved by GoSun, within one year of original purchase, will convert into a One-Time Tube Credit to the purchaser. The One-Time Tube Credit is then applied to a replacement tube to be sent directly to the purchaser's address of choice. This Credit for may not be used toward any other GoSun products such as GoSun Apparel and accessories. Note that GoSun regularly changes the models, and styles of its Products and cannot guarantee the availability of an exact replacement for any Product. The Purchaser will be responsible for the cost of shipping and handling fees to receive their replacement tube. The exact cost for shipping and handling will be covered during the warranty claim process.

Scope of One-Year Limited Warranty

GoSun provides a One-Year Limited Warranty against Manufacturing Defects. If a Product contained a Manufacturing Defect when it was purchased from an Authorized Dealer, GoSun, at its sole discretion, will (i) repair, (ii) replace, or (iii) provide a Warranty Credit for the Product on the GoSun online store. The amount of the Warranty Credit shall be equal to the purchase price of the Product paid to the Authorized Dealer. GoSun reserves the right to inspect any Product subject to a warranty claim to determine, at its sole discretion, whether the claimed defect is a Manufacturing Defect or otherwise. GOSUN DOES NOT ASSUME ANY LIABILITY FOR ANY INCIDENTAL, CONSEQUENTIAL OR INDIRECT DAMAGES UNDER THIS LIMITED WARRANTY.

Terms and Conditions

By submitting this warranty request, you agree to the following Terms and Conditions:

- In the case of Fraud or Misrepresentation, GoSun reserves the right to deny all warranty coverage or claims.
- Risk of Loss- GoSun is not responsible for any Product that is lost in shipping and not actually received by GoSun. To avoid unnecessary delays and minimize the possibility of a lost Product, we strongly suggest that you use the return label provided to you by GoSun's online warranty system to send your Product to GoSun. No warranty will be provided for any Product not actually received by GoSun.
- GoSun reserves the right to determine, at its sole discretion, whether a defect is a manufacturing defect and what type of credit or replacement shall be issued, if any.
- All warranty Products sent to GoSun will not be returned to you for any reason. Defective Products may be subject to engineering analysis and recycling, as part of our continued commitment to improving the quality of our products and the environment.

Choice of Law / Jurisdiction

This Limited Warranty and any disputes arising out of or in connection with this Limited Warranty ("Disputes") shall be governed by the laws of the State of Ohio, USA, excluding conflicts of law principles and excluding the Convention for the International Sale of Goods. The courts located in the State of Ohio, USA shall have exclusive jurisdiction over any Disputes.

Other Rights

THIS LIMITED WARRANTY GIVES YOU SPECIFIC LEGAL RIGHTS, AND YOU MAY ALSO HAVE OTHER RIGHTS, WHICH VARY FROM STATE TO STATE AND JURISDICTION TO JURISDICTION, AND WHICH SHALL NOT BE AFFECTED BY THIS LIMITED WARRANTY. THIS WARRANTY EXTENDS ONLY TO YOU AND CANNOT BE TRANSFERRED OR ASSIGNED. If any provision of this Limited Warranty is unlawful, void or unenforceable, that provision shall be deemed severable and shall not affect any remaining provisions. In case of any inconsistency between the English and other versions of this Limited Warranty, the English version shall prevail.

Refunds and Exchanges

All refunds and exchanges are handled through your retailer or distributor.

Need help?

 +1 888.868.6154

 support@gosun.co

 gosun.co/help-center

(this page is intentionally blank)

gosun

@gosun



Patent pending in USA & other countries.
Copyright © 2023 GoSun Inc. All rights reserved

 +1 888.868.6154

 support@gosun.co