

gosun® SOLAR CORNHOLE™ User Manual

Portable, solar charging
corn-hole game



gosun.co/manuals

Manual de usuario en Espanol

Manuel d'utilisation en Français

Gebbruikershandleiding auf Deutsch

日本語のユーザーマニュアル

中文用 手册



Warnings

Fragile

- ✔ Surface is made from tempered glass, which can be hazardous when broken.
- ✔ Do not sit or stand on the product.
- ✔ Do not allow small children to play around product unsupervised.

Setup and Storage

- ✔ When setting up or collapsing the table, take care to avoid pinching fingers.
- ✔ Always lock legs fully when in the open position.

Avoid Risk of Fire

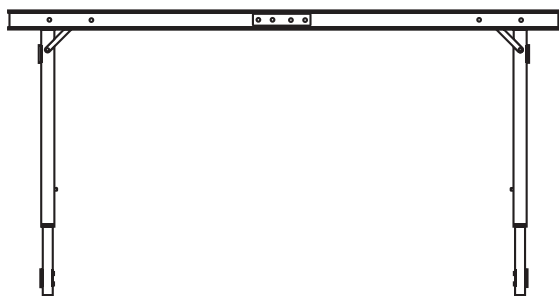
- ✔ Do not operate or place hot devices on the SolarTable, unless they are super insulated like the GoSun ovens.

Setup Instructions

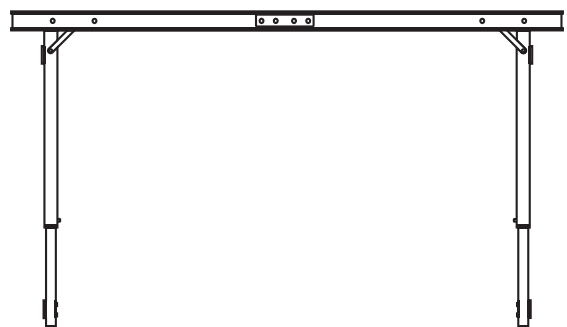
Table Mode

- ① Unlock the latches on either side of the handles.
- ② Place Table on its side and unfold the Table's top surface.
- ③ Secure the two side latches near the hinges, locking the Table top in its open position.
- ④ Undo velcro straps holding the long legs in place.
- ⑤ Hinge out the long sets of legs from underneath the Table surface.
- ⑥ Lock the legs open by pressing each leg's corner brace into its straight position.
- ⑦ Set the table right-side up onto its legs.
- ⑧ Slide the legs up away from the Table surface, until the ball detents pop into place.
- ⑨ To adjust the Table to the taller setting, press the ball detents in fully, then slide the legs until the detents pop through the second set of holes. (Do not extend past the second set of holes).

Height Setting 1



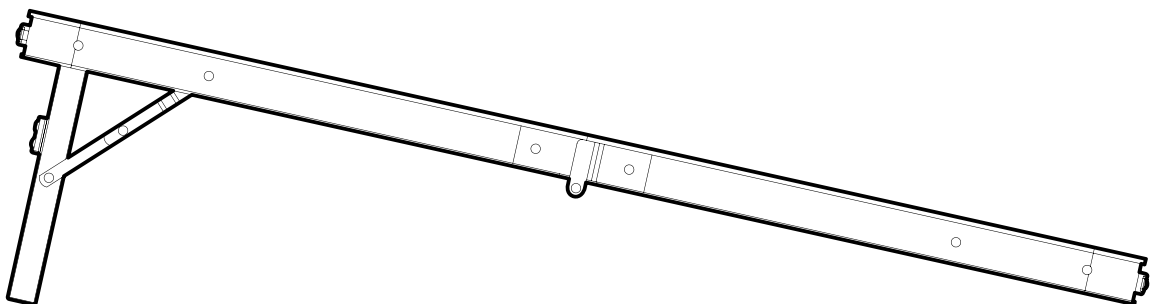
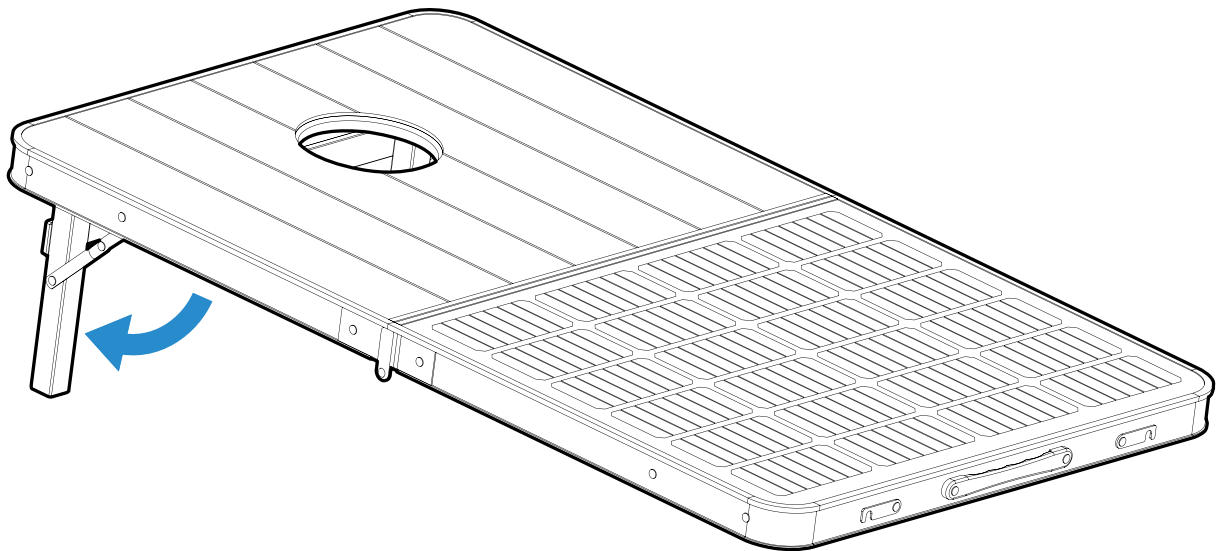
Height Setting 2



Setup Instructions

Game Mode

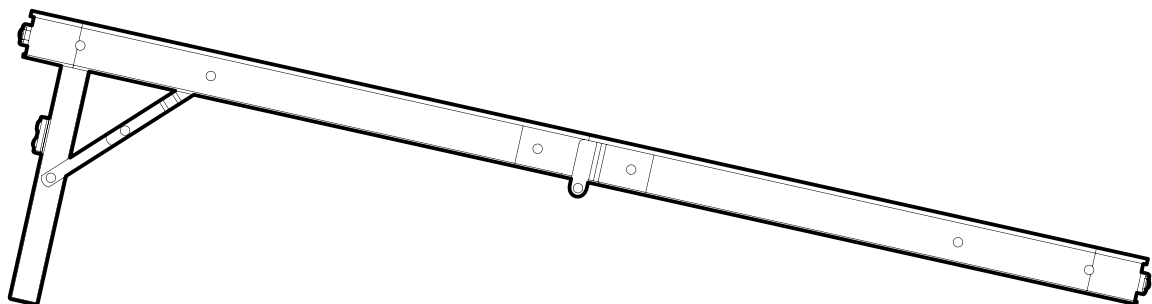
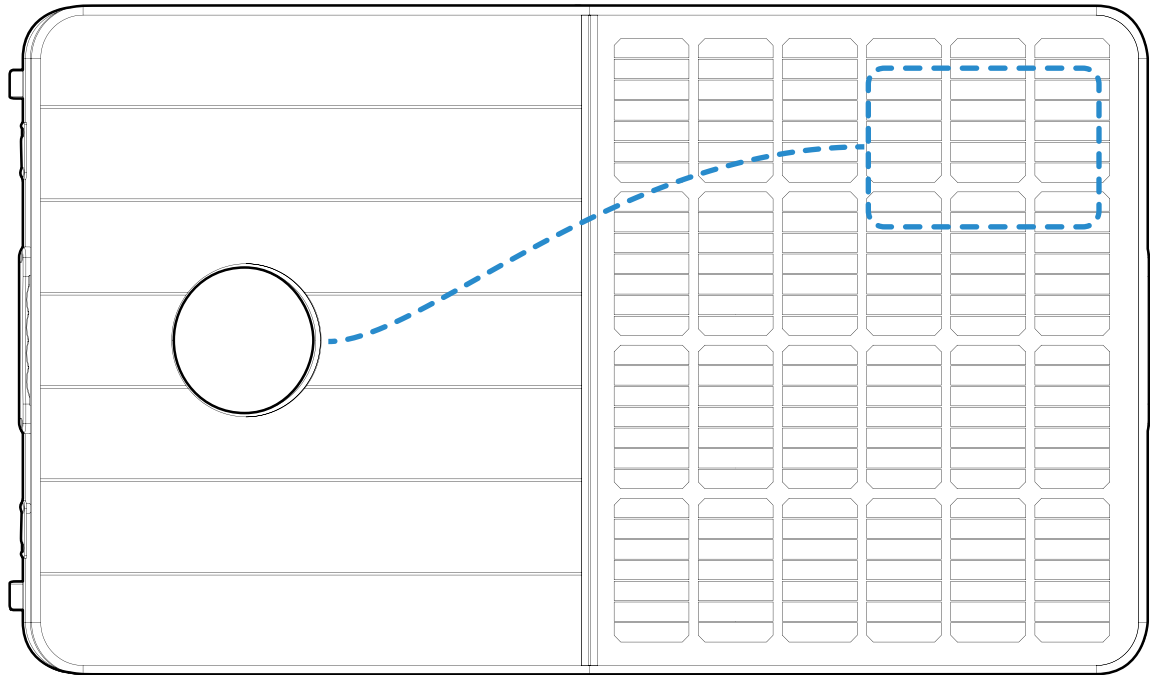
- ① Unlock the latches on either side of the handles.
- ② Place Table on its side and unfold the Table's top surface.
- ③ Secure the two side latches near the hinges, locking the Table top in its open position.
- ④ On the side with the hole, hinge the short set of legs out, and lock the corner braces into place on both sides.



Setup Instructions

Game Mode

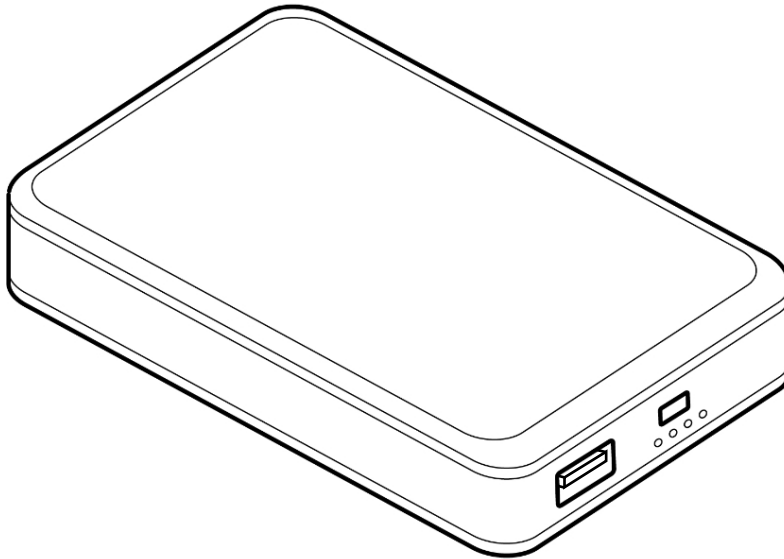
- ① Locate the provided power bank, and place into the pouch on the opposite side of the hole (shown below in dotted lines)
- ② Connect the power cable from the LED light to the power bank.
- ③ Turn on LED lights and adjust to preferred setting.



Charging

Battery and Devices

- ① Charge the Power18 power bank directly with solar
- ② To charge phones and other devices, plug devices into the Power18 power bank, or charge directly from the junction box on the back of the solar panel



General Maintenance

- ✔ Clean glass surface with glass cleaner.
- ✔ Clean aluminum frame of the product with mild soap and water with a soft cloth or paper towel.
- ✔ Dry thoroughly before storage.
- ✔ Store indoors when not in use.
- ✔ Legs must be fully collapsed to fold up properly.

Technical Specifications

L / W / H – folded up	24 in / 28 in / 4.25in
L / W / H – deployed	48 in / 28 in / 19.25in – 27in
Surface Area	8 ft ²
Solar Panel Specs	3.94 Isc, 3.52 Imp, 21 Voc, 17 Vmp
Weight	25 lbs
Weight Capacity	75 lbs
Output Voltage	18 Vdc nominal / 24 Vdc max
Output Power	60 W max
Output Connector	5.5 × 2.1 mm coaxial connector (x 2)
Output Cord	DC cord, 1.5m length (x 2)

WARRANTY

Warranty Policy

GoSun Inc. extends this One-Year Limited Warranty to the original end-use purchaser of GoSun products* or the person receiving a Product as a gift, provided that the GoSun Product was purchased from an Authorized Dealer as defined below. The Limited Warranty does not extend to any other person or transferee. Statutory or common law may provide additional rights or remedies that vary from state to state, and country to country, which are not affected by this Limited Warranty.

Definitions

"Authorized Dealer" means any distributor, reseller or retailer that was duly authorized by GoSun at the time of the sale to sell authentic GoSun products in the jurisdiction where it sold the Product, and that sold the Product in new, unused condition in its original packaging.

"Fraud or Misrepresentation"

Means misrepresenting any fact related to a warranty claim to GoSun, including the nature of the defect, whether the Product was purchased from an Authorized Dealer, and the authenticity of the Product. "Intended Use" means use of the Product (a) for food preparation, (b) for private (as opposed to commercial) purposes, (c) in conformity with all applicable local, state or federal law, code or regulations, (d) in accordance with GoSun recommendations and/or instructions in the materials and documentation that accompany the Product.

Scope of One-Year Limited Warranty

GoSun provides a One-Year Limited Warranty against Manufacturing Defects. If a Product contained a Manufacturing Defect when it was purchased from an Authorized Dealer, GoSun, at its sole discretion, will (i) repair, (ii) replace, or (iii) provide a Warranty Credit for the Product on the GoSun online store. The amount of the Warranty Credit shall be equal to the purchase price of the Product paid to the Authorized Dealer. GoSun reserves the right to inspect any Product subject to a warranty claim to determine, at its sole discretion, whether the claimed defect is a Manufacturing Defect or otherwise.

Need help?

 +1 888.868.6154

 support@gosun.co

 gosun.co/help-center

gosun

@gosun



Patent pending in USA & other countries.
Copyright © 2023 GoSun Inc. All rights reserved

 +1 888.868.6154

 support@gosun.co