

Portable solar cooler that
doesn't need ice



gosun.co/manuals

Manual de usuario en Espanol

Manuel d'utilisation en Français

Gebbruikershandleiding auf Deutsch

日本語のユーザーマニュアル

中文用户手册



Table of Contents

- Features 1
- Safety Guidelines 2-3
- Function & Operation Settings 4-6
- Troubleshooting 6-7
- Error Codes 7
- Function & Operation Settings – Advanced 8
- Defrosting 8-9
- Technical Specification 9
- Environmental Guidelines 10
- Packing List 10
- Warranty 11-12

 Download the GoSun Chillest App:

Get the most out of your Chillest with the App! Remotely set temperatures, check battery levels, change settings and more.



iOS



ANDROID

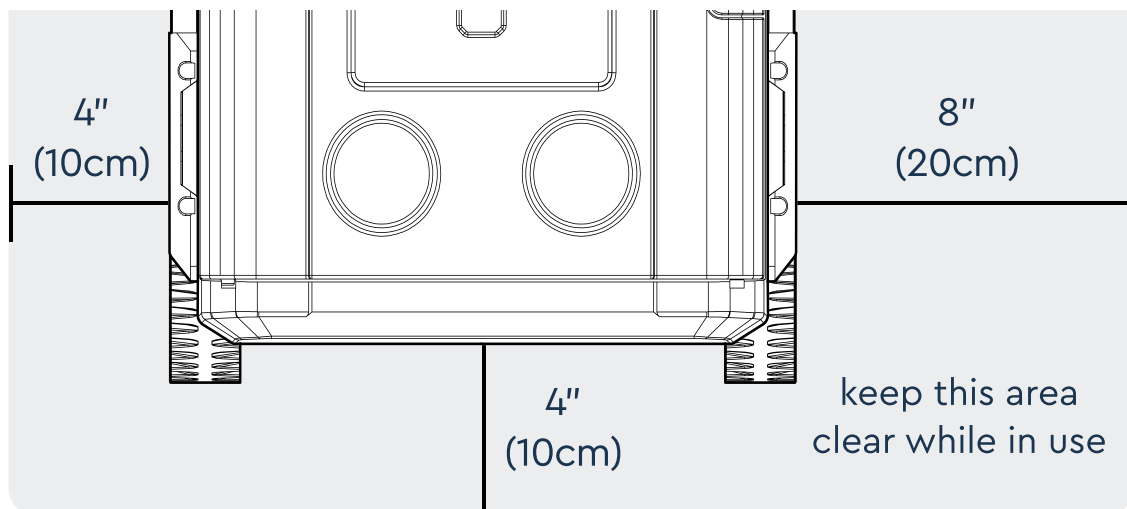
Features

- ✓ High efficiency brushless DC compressor.
- ✓ Closed cell foam insulation to minimize heat loss and increase durability.
- ✓ 12V DC, 24V DC or 120~240V AC operation.
- ✓ Runs off of a Power bank, car or any AC outlet.
- ✓ Compressor delay detection. Prevents the compressor from starting too soon after an interruption of power.
- ✓ Two independantly controlled zones. (can cool and/or freeze in either zone)
- ✓ 68° to -4° F (20° to -20° C) temperature setting range.
- ✓ 3 user selectable battery protection modes – for lithium battery, portable lead acid battery, or car mounted battery.
- ✓ Wheels designed for rough terrain
- ✓ Pouch for transporting Power bank and accessories
- ✓ Bungee cord tie-downs
- ✓ Telescoping handle
- ✓ Bluetooth App to allow remote access to the Chillest.

Safety Guidelines

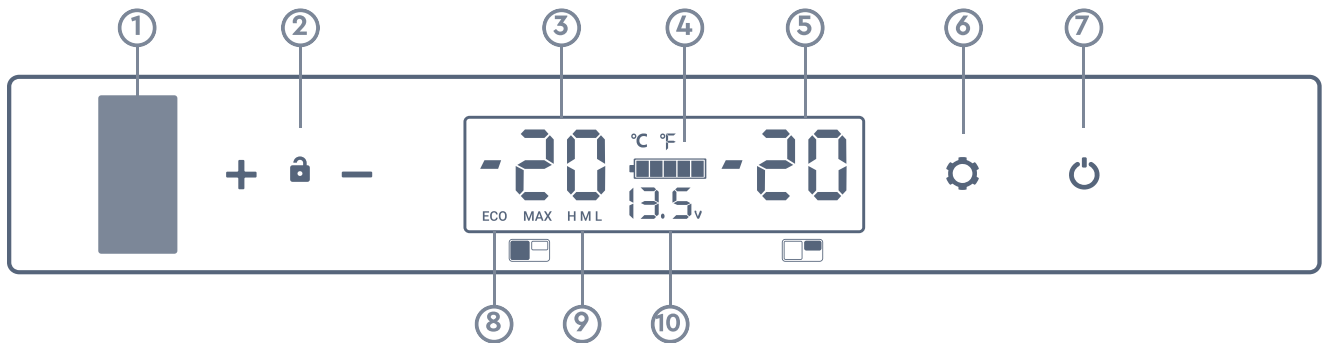
- ✔ Do not use if the electronics or provided battery are submerged in water. Dry out completely and test for functionality in a controlled environment if any part of the Chillest's electronics or battery are submerged in water.
- ✔ Verify power source voltage and amperage before using. Change battery protection level as needed depending on power source.
- ✔ Do not place electronics in the Chillest when in operation.
- ✔ Do not tilt past 45 degrees during transportation or 15 degrees during operation. If the Chillest falls over or flips during transportation or operation, turn off immediately and allow to rest for at least 12hrs before turning back on. Liquid refrigerant may have gotten to the compressor, and you must allow it to evaporate before turning back on. The compressor is designed for evaporated refrigerant only, liquid refrigerant can cause immediate and permanent compressor damage.
- ✔ Do not operate the Chillest next to a heat source (fire, stove or heater), avoid operating the Chillest in direct sunlight if possible.
- ✔ The cooler areas of the Chillest can hold water. To drain any water from the Chillest, use the drainage plug in the bottom of the larger side of the unit. **DO NOT POUR WATER OUT OF THE CHILLEST FROM THE LID**, this will potentially allow liquid refrigerant to reach the compressor and you will need to wait 12 hrs before using the chill again while you wait for the refrigerant to fully evaporate. Use a cup or towel to remove built up water from the smaller cooler section if needed.

- ✔ We recommend you clean the Chillest's interior before first use. Use a damp cloth with mild soapy water.
- ✔ Never use harsh cleaners with the GoSun Chillest. Only use a damp cloth with mild soapy water. Do not use a hose to clean the outside of the Chillest as water may get into the compressor and electronics section of the unit.
- ✔ Clean and dry the inside of the Chillest after each use. If storing for more than 24hrs, we recommend you partially open the lid during storage.
- ✔ The GoSun Chillest is not designed as a seat, do not stand or sit on the Chillest.
- ✔ Ensure the Chillest has proper ventilation to the compressor chamber. Leave space to the front, back, and side of the Chillest as shown in the diagram below. ■ Front: 4" (10cm) ■ Back: 8" (20cm) ■ Side: 4" (10cm)



Function and Operation Settings

- ① USB Port
- ② Up / Down / Lock
- ③ Temp. - Large Compartment
- ④ Battery Level
- ⑤ Temp. - Small Compartment
- ⑥ Set
- ⑦ On / Off
- ⑧ Eco / Max
- ⑨ Battery Protection Setting
- ⑩ Voltage

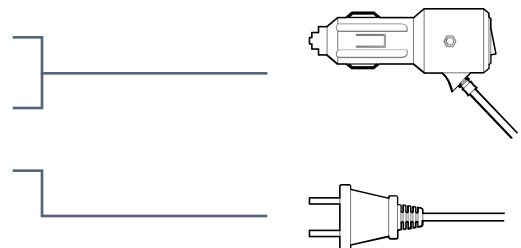


3.0 Lock Setting:

- ✓ After 10 seconds of inactivity, the control panel will lock automatically. To unlock, press and hold the + and - buttons at the same time for approx. 5 seconds until screen unlocks.

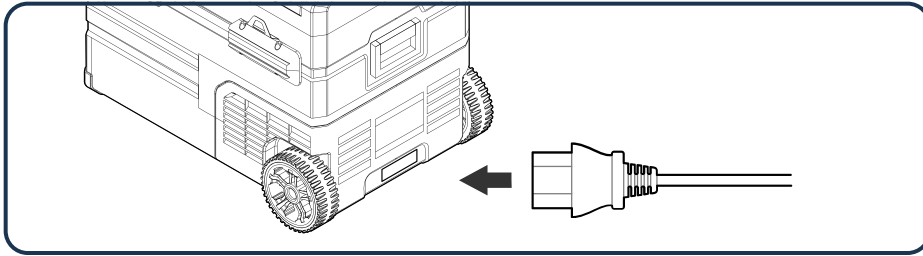
3.1 Power Supply - Multiple Power Sources

- ✓ Power bank - use DC adapter cord
- ✓ Car battery - use DC adapter cord
- ✓ Wall Outlet - use AC adapter cord



3.2 Power Cable Connection:

- ✓ Connect the end of the adapter cord shown into the Chill's cable port, located on the side of the Chill.



3.3 Operation Settings

- ✔ ON / OFF: Plug in. Press and hold the Power Button (3 sec) to start the unit, and press and hold again (3 sec) to turn it off.
- ✔ Press the + UP or – DOWN buttons to adjust the target temperature. By default the left (large) side will flash first. To switch between setting the left (large) side and right (small) side, press the setting button once. The + UP button increases temp, the – DOWN button decreases temp.
- ✔ Press the Settings (gear) button to change the compressor speed:
 1. ECO (Energy savings mode)
 2. MAX (Fast cooling mode) – factory default is MAX mode

3.4 Source Battery Protection Settings

- ✔ By default the GoSun Chillest is set to protect the Included lithium battery-based Power bank. This setting will not protect a 12V lead acid battery in your car. Because of the differences in battery voltages, the GoSun Chillest has three different battery protection settings to help ensure that you can always protect your power source from over-discharge. To change this setting, when the Chillest is powered on and running, hold the settings button until you see the display flash (L, M, or H). Then press the setting button again to change the setting for the battery being used.

L: Protection for a standard 12V Lithium-ion battery.

- ✔ Low voltage cutoff: 9.0V DC (12V) or 18V DC (24V)
- ✔ Reconnect Voltage: 10.9V DC (12V) or 21.8V DC (24V)

M: Protection for a 12V lead acid battery when being used solely for portable power. (Also a good setting for 12V Lithium Iron Phosphate batteries)

- ✓ Low voltage cutoff: 10.1V DC (12V) or 20.2V DC (24V)
- ✓ Reconnect Voltage: 11.4V DC (12V) or 22.8V DC (24V)

H: Protection for a 12V car battery

- ✓ Low voltage cutoff: 11.1V DC (12V) or 22.2V DC (24V)
- ✓ Reconnect Voltage: 12.4V DC (12V) or 24.8V DC (24V)

3.5 Bungee Tie-Downs

- ✓ There are four tie-down bars at the four corners of the chilliest. These are good locations to use with the provided bungee cords to hold items on top of the Chillest.

Troubleshooting

The Chillest is not cooling down

- ✓ Check the power cord connection.
- ✓ Check that your power source is fully charged.
- ✓ Make sure the power button was pressed and the indicator states the Chillest is running.
- ✓ Check the Fuse in the DC power cord (if applicable).
- ✓ Check the fuse inside the compressor/electronics section.
- ✓ The compressor may be in delay start mode to protect the compressor, allow 5 min before continuing to troubleshoot.

Food inside is frozen

- ✓ Set the temperature above 34° F

The Chillest makes a sound like water flowing or bubbling.

- ✔ This is normal, it is the refrigerant circulating within the unit.

The Chillest makes a metallic sound when going over a bump or transporting the unit.

- ✔ This is normal, the compressor is suspended by springs within the sealed chamber and larger bumps can allow the compressor to touch the outer shell of the chamber.

Error Codes

F1 Code

- ✔ Low battery voltage. Your battery has been drained and needs to be recharged. Charge your power source and reconnect to the Chillest. Ensure that the correct battery protection setting is used (see section 3.4).

F2 Code

- ✔ Fan overload. Turn off the Chillest and let rest for 15–30 min. Restart the Chillest. If the error persists, contact GoSun Support.

F3 Code

- ✔ Compressor protection activated. Turn off the Chillest and let rest for 30 min. Restart the Chillest. If the error persists, contact GoSun Support.

F5 Code

- ✔ Compressor controller module protection activated. Turn off the Chillest and let rest for 30 min. Restart the Chillest. If the error persists, contact GoSun Support.

F7/8 Code

- ✔ Temp sensor error. Turn off the Chillest and let rest for 30 min. Restart the Chillest. If the error persists, contact GoSun Support.

Function & Operation Settings – Advanced

To change the GoSun Chillest's Advanced Settings, hold the setting button when the GoSun Chillest is powered off, but still connected to power. E1 will flash on the screen, press the settings button to cycle through from E1 through EE. To change a setting press the up or down buttons.

Set.	Function Description	Setting Range	Default Set.
E1	Min. Temperature Setting	-40C (-40F) to Set. E2	-20C (14F)
E2	Max. Temperature Setting	Set. E1 to 40C (104F)	20C (68F)
E3	Large Side Hysterisis (drift to trigger compressor)	1 to 10 C (2 to 18 F)	2C (4F)
E4	Compressor Start Delay (minutes)	0 to 10 minutes	0 minutes
E5	Temperature Display Units	C or F	F
E6	Large Side Temp. Correction when Temp > -6 C	-10 to 10C (-18 to 18 F)	0
E7	Large Side Temp. Correction when -12 < Temp < -6 C	-10 to 10C (-18 to 18 F)	0
E8	Large Side Temp. Correction when Temp < -12 C	-10 to 10C (-18 to 18 F)	0
E9	Large Side Temp. Correction Shutdown	0 to -10 C (0 to -18 F)	0
EA	Small Side Hysterisis (temp. drift to start compressor)	1 to 10 C (2 to 18 F)	2C (4F)
EB	Small Side Temp. Correction when Temp > -6 C	-10 to 10C (-18 to 18 F)	0
EC	Small Side Temp. Correction when -12 < Temp < -6 C	-10 to 10C (-18 to 18 F)	0
ED	Small Side Temp. Correction when Temp < -12 C	-10 to 10C (-18 to 18 F)	0
EE	Small Side Temp. Correction Shutdown	0 to -10 C (0 to -18 F)	0

Defrosting

- ☑ After prolonged use, your GoSun Chillest may start to accumulate frost on the inside. If the frost gets more than 1/4" (6mm) thick it is recommended to defrost the Chillest to maximize energy efficiency.

- ✔ Fast method: Turn off the Chillest. Use a plastic tool such as a car ice scraper, and physically remove the frost from inside the Chillest. Then wipe up and residual water/ice with a towel. Turn the Chillest back on and place any items you removed earlier back into the Chillest.
- ✔ DO NOT USE METAL TOOLS on the inside of the Chillest as they can cause permanent damage to the inside walls and refrigerant lines.
- ✔ Slow method: Turn off the Chillest and leave the lid open. Just wait for the ice to melt and remove the remaining water with a towel, or use the built in drain in the bottom of the Chillest. Turn the Chillest back on and place any items you removed earlier back into the Chillest.
- ✔ DO NOT TRY TO POUR OUT THE MELTED ICE, the cooler should not be tilted past 30 degrees from flat, as this will allow liquid refrigerant to gain access to the compressor which can damage the Chillest.

Technical Specification

MODEL	Chillest
Climate Category	T/ST/N/SN
Protective Classification of Electric Shock Resistance	III
Rated Voltage DC (V)	12/24V
DC Fuse (A)	45W (eco) / 65W (max)
Rated Current for DC (A)	3.75- 5.4A/1.87-2.75A
Refrigerant (g)	R 1234yfa @54g
N.W (kg)	19 kg
Size (in)	28" x 17" x 20.5"
Size (cm)	71cm x 43cm x 52cm

Guidelines for Protection of the Environment

Disposal

Do not dispose this product as unsorted municipal waste. Collection of such waste separately for special treatment is necessary. Meaning of crossed-out wheeled dustbin: Do not dispose of electrical appliances as unsorted municipal waste. Use separate collection facilities. Contact your local government for information regarding the collection systems available. If electrical appliances are disposed into landfills or dumps, hazardous substances can leak into the groundwater and get into the food chain, damaging your health and well-being.



Packing List

Model	Portable Fridge	DC Power Cord	AC Power Adapter	User's Manual	Trashbag Clips	Bungee Cords
Chillest	1	1	1	1	4	2

Warranty

Warranty Policy

GoSun, Inc. extends this One-Year Limited Warranty to the original end-use purchaser of GoSun products* or the person receiving a Product as a gift, provided that the GoSun Stove Product was purchased from an Authorized Dealer as defined below. The Limited Warranty does not extend to any other person or transferee. Statutory or common law may provide additional rights or remedies that vary from state to state, and country to country, which are not affected by this Limited Warranty.

Definitions

"Authorized Dealer" means any distributor, reseller or retailer that was duly authorized by GoSun at the time of the sale to sell authentic GoSun products in the jurisdiction where it sold the Product, and that sold the Product in new, unused condition in its original packaging.

"Fraud or Misrepresentation" means misrepresenting any fact related to a warranty claim to GoSun, including the nature of the defect, whether the Product was purchased from an Authorized Dealer, and the authenticity of the Product.

“Intended Use” means use of the Product (a) for food preparation, (b) for private (as opposed to commercial) purposes, (c) in conformity with all applicable local, state or federal law, code or regulations, (d) in accordance with GoSun recommendations and/or instructions in the materials and documentation that accompany the Product.

Scope of One-Year Limited Warranty

GoSun provides a One-Year Limited Warranty against Manufacturing Defects. If a Product contained a Manufacturing Defect when it was purchased from an Authorized Dealer, GoSun, at its sole discretion, will (i) repair, (ii) replace, or (iii) provide a Warranty Credit for the Product on the GoSun online store. The amount of the Warranty Credit shall be equal to the purchase price of the Product paid to the Authorized Dealer. GoSun reserves the right to inspect any Product subject to a warranty claim to determine, at its sole discretion, whether the claimed defect is a Manufacturing Defect or otherwise.

GOSUN DOES NOT ASSUME ANY LIABILITY FOR ANY INCIDENTAL, CONSEQUENTIAL OR INDIRECT DAMAGES UNDER THIS LIMITED WARRANTY.

Need help?

 +1 888.868.6154

 support@gosun.co

 gosun.co/help-center

gosun

@gosun



Patent pending in USA & other countries.
Copyright © 2022 GoSun Inc. All rights reserved

 +1 888.868.6154

 support@gosun.co