

Cup, French press & heater in one. Tea or coffee anywhere.



[gosun.co/manuals](https://gosun.co/manuals)

Manual de usuario en Espanol

Manuel d'utilisation en Français

Gebbruikershandleiding auf Deutsch

日本語のユーザーマニュアル

中文用 手册



# Table of Contents

Warnings and Limitations .....	1
Parts List .....	2
How to Use .....	3
Maintenance .....	4
Specifications .....	4
Warranty .....	5

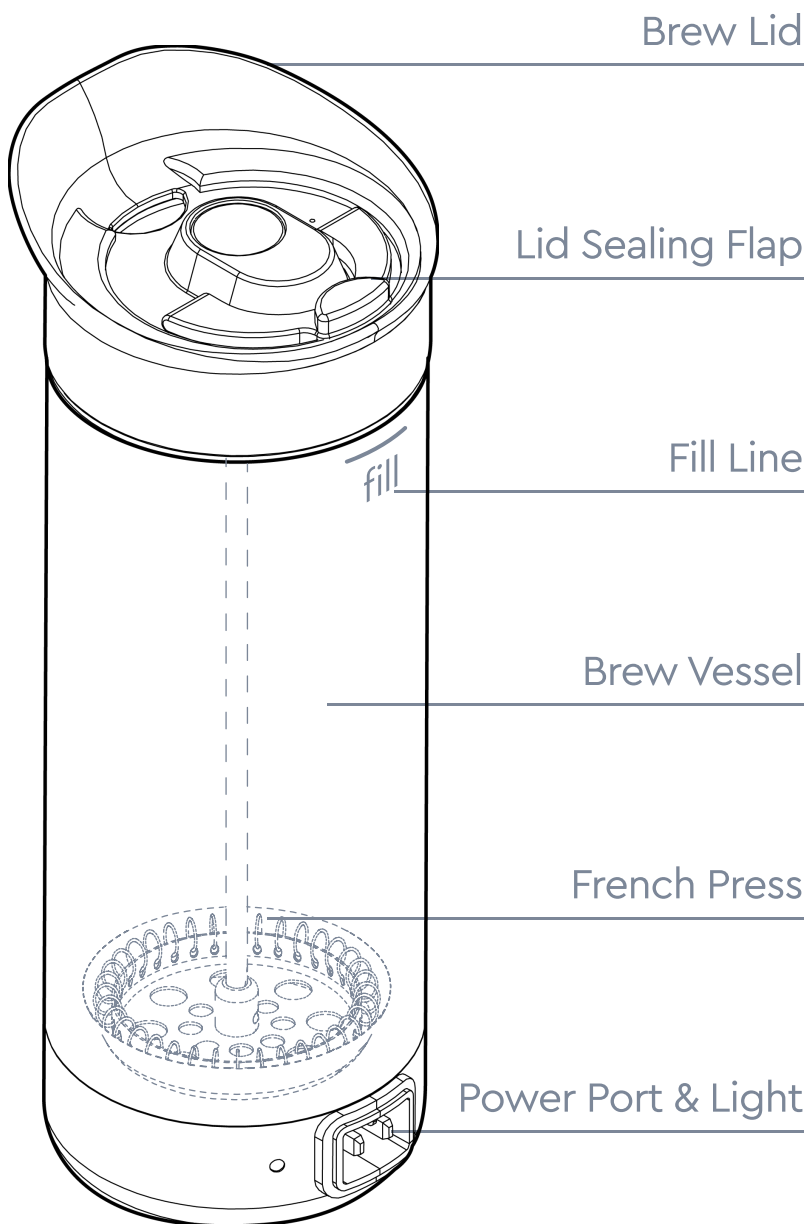
## Warnings and Limitations

### Read before use

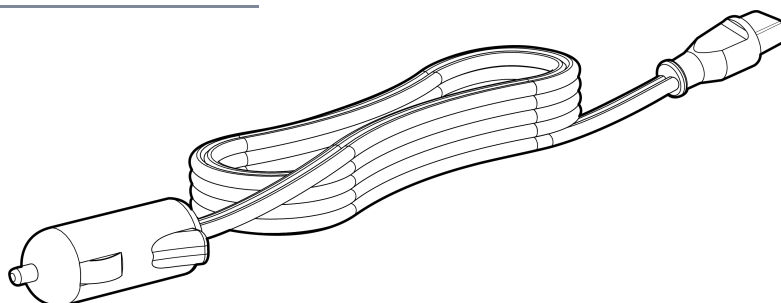
- ☑ CAUTION HOT: Contents are hot during use. Please use caution to avoid scalding.
- ☑ Ensure lid is securely fastened before heating any liquids.
- ☑ Ensure lid sealing flap is open before heating any liquids to allow steam to vent.
- ☑ Do not plug in the Brew if it does not have liquid inside.
- ☑ Do not submerge electrical components in water.
- ☑ Hand wash only, not dishwasher safe.
- ☑ Do not freeze or microwave.

# Parts List

## 1 Brew



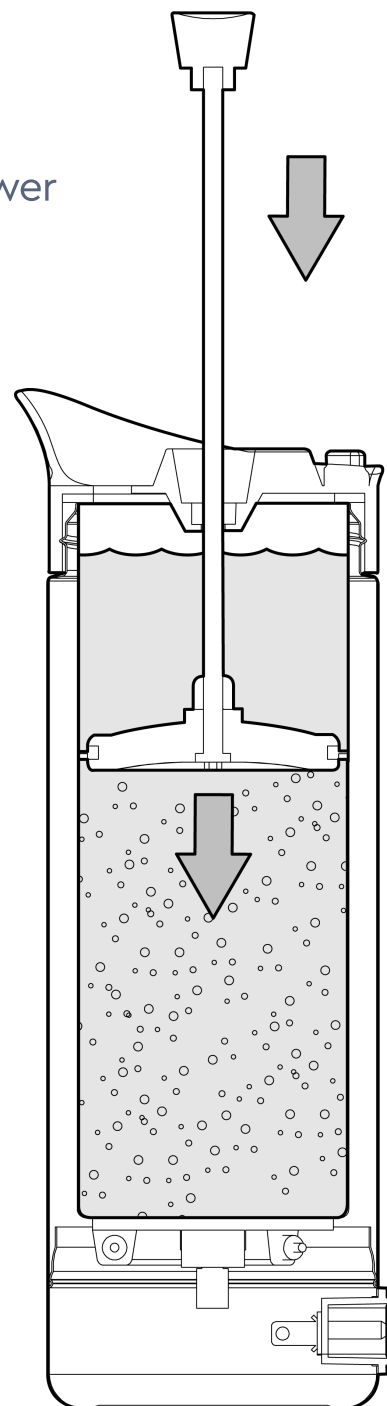
## 2 DC Powercord



# How to Use

## When making coffee or tea

- ① Pour a desired amount of water into the Brew (the fill line is approximately 14 Oz.)
- ② Secure lid and ensure that the lid sealing flap is open for venting. Using the included DC power cord, plug the unit into one of the following electrical power sources.
  - 12V outlet in car, boat, or RV (rated for 15A)
  - GoSun Power 144 or larger
- ③ The LED light will turn Red while heating and change to Green once the Brew is at temperature.
  - Heating time is between 10–20min depending on amount of liquid and voltage of power source.
- ④ Pour in coffee grounds or loose leaf tea. (adjust amount for desired strength)
- ⑤ Secure lid and steep as desired (4 min is common for coffee and tea), then press the French press plunger down to separate the coffee/ tea from the water.
  - Contents will be hot – wait a few minutes before enjoying your brewed beverage.
- ⑥ Enjoy your beverage directly from the Brew, or pour into another container.



# Maintenance

- ✔ Clean the Brew vessel by hand only, with soap and water. Do not submerge in water as it may cause damage to electrical components.
- ✔ The lid and French press plunger are also hand wash only.
- ✔ Stainless plunger/filter assembly is able to be disassembled for easy cleaning.
- ✔ Before storage, ensure that the Brew is clean and dry.
- ✔ If water does enter the Brew vessel electrical enclosure (you notice water sloshing in the Brew even when it is empty), place the Brew on its side with the power port facing down and allow it to drain for up to 24hrs.

# Specifications

- ✔ **Fluid capacity:** 16 oz. (12–14 oz. recommended for brewing)
- ✔ **Dry weight:** 1 lb. (0.45 kg)
- ✔ **Unit Size:** Height: 8.75" (22.2 cm), Width: 2.75" (6.9 cm)
- ✔ **Estimated Brewing Power:** [100–160W] 100W on GoSun Power 144 and 266, 120W using Fusion AC Adapter, up to 160W using a car cigarette socket with engine running
- ✔ **Water Heating Setpoint:** 194–203°F (90–95°C)
- ✔ **Electrical Input:** 12V DC, up to 13 Amps
- ✔ **Heating Element:** 120W nominal. (1.2 Ohm resistive heating element circuit) [Intended for nominal 12V DC power sources only.]

# Warranty

## Warranty Policy

GoSun Inc. extends this One-Year Limited Warranty to the original end-use purchaser of GoSun products\* or the person receiving a Product as a gift, provided that the GoSun Product was purchased from an Authorized Dealer as defined below. The Limited Warranty does not extend to any other person or transferee. Statutory or common law may provide additional rights or remedies that vary from state to state, and country to country, which are not affected by this Limited Warranty.

## Definitions

"Authorized Dealer" means any distributor, reseller or retailer that was duly authorized by GoSun at the time of the sale to sell authentic GoSun products in the jurisdiction where it sold the Product, and that sold the Product in new, unused condition in its original packaging.

"Fraud Misrepresentation" means misrepresenting any fact related to a warranty claim to GoSun, including the nature of the defect, whether the Product was purchased from an Authorized Dealer, and the authenticity of the Product.

"Intended Use" means use of the Product (a) for food preparation, (b) for private (as opposed to commercial) purposes, (c) in conformity with all applicable local, state or federal law, code or regulations, (d) in accordance with GoSun recommendations and/or instructions in the materials and documentation that accompany the Product.

## Scope of One-Year Limited Warranty

GoSun provides a One-Year Limited Warranty against Manufacturing Defects. If a Product contained a Manufacturing Defect when it was purchased from an Authorized Dealer, GoSun, at its sole discretion, will (i) repair, (ii) replace, or (iii) provide a Warranty Credit for the Product on the GoSun online store. The amount of the Warranty Credit shall be equal to the purchase price of the Product paid to the Authorized Dealer. GoSun reserves the right to inspect any Product subject to a warranty claim to determine, at its sole discretion, whether the claimed defect is a Manufacturing Defect or otherwise.

# Need help?

 +1 888.868.6154

 [support@gosun.co](mailto:support@gosun.co)

 [gosun.co/help-center](https://gosun.co/help-center)

@gosun

