

Geuder® 01
Eye Specula

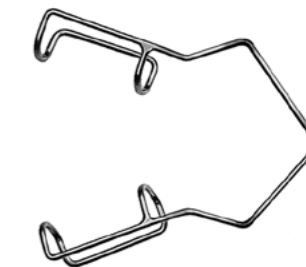
Lidsperrer

- Wire 15
- Wire, adjustable 17
- Adjustable, locking 19
- Aspiration, adjustable, locking 25
- Glaucoma 29

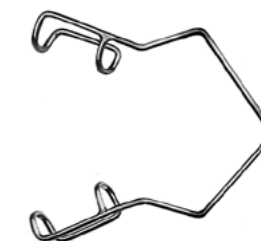


Geuder® 01 Eye Specula
 Wire

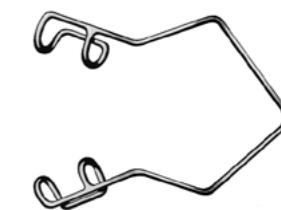
⊞-17020 BARRAQUER
Eye Speculum
 fenestrated
 14 mm blades
 overall length 38 mm



⊞-17025 BARRAQUER
Eye Speculum
 for infants
 fenestrated
 10 mm blades
 overall length 40 mm



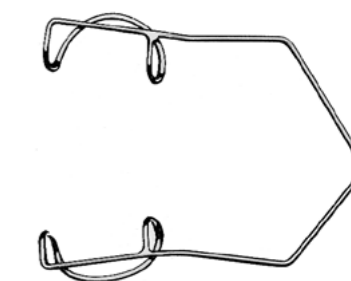
⊞-17023 BARRAQUER
Eye Speculum
 for premature infants
 fenestrated
 7 mm blades
 overall length 34 mm



⊞-17026 BARRAQUER
Eye Speculum
 15 mm solid blades
 overall length 40 mm

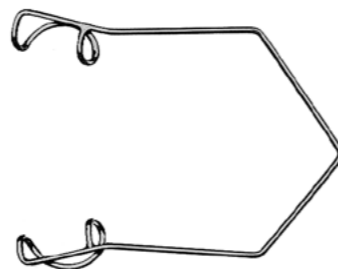


⊞-32136 BARRAQUER
Eye Speculum
 fenestrated
 14 mm round blades
 overall length 38 mm

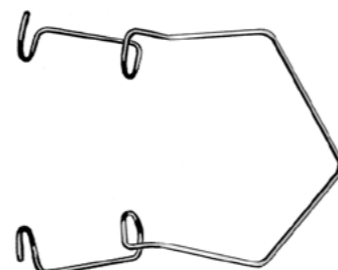


Geuder® 01 Eye Specula
Wire

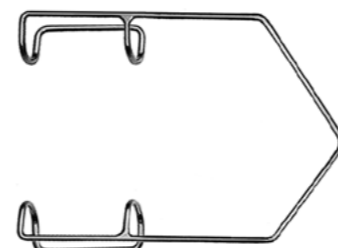
☒-32137 BARRAQUER
Eye Speculum
for infants fenestrated
10 mm round blades
overall length 38 mm



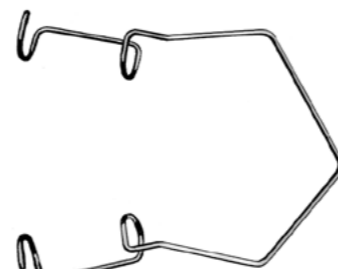
☒-32148 BARRAQUER
Eye Speculum
fenestrated
14.5 mm open blades
overall length 40 mm



☒-32149 BARRAQUER/ FRANKFURT MODEL
Eye Speculum
fenestrated, large
14.5 mm blades
overall length 40 mm

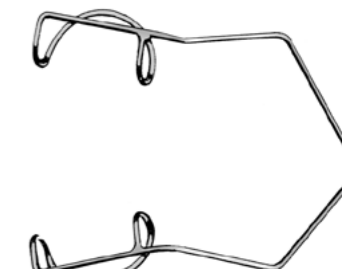


☒-17004 H.-R. KOCH
Temporal Approach Eye Speculum
for nasal placement
fenestrated
14 mm open blades
overall length 40 mm



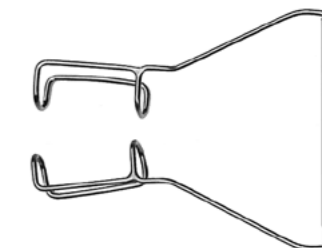
Geuder® 01 Eye Specula
Wire

☒-32129 **Temporal Approach Eye Speculum**
for nasal placement
fenestrated
15 mm open blades
overall length 40 mm



Geuder® 01 Eye Specula
Wire, adjustable

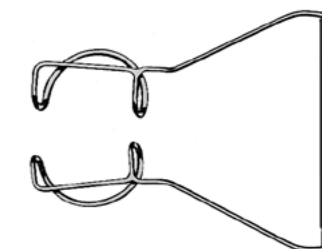
☒-17010 BARRAQUER - OOSTERHUIS
Eye Speculum
fenestrated, adjustable
14 mm blades
overall length 40 mm



☒-17015 BARRAQUER - OOSTERHUIS
Eye Speculum
solid blades, adjustable
15 mm blades
overall length 40 mm

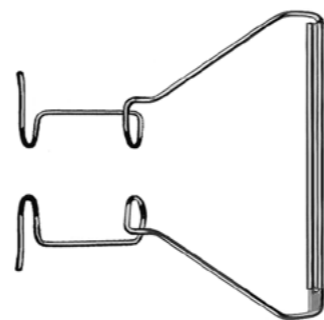


BARRAQUER - OOSTERHUIS
Eye Speculum
fenestrated round blades
adjustable
☒-32138 14 mm blades, overall length 40 mm
☒-32139 11 mm blades, overall length 30 mm, for infants



Geuder® 01 Eye Specula
Wire, adjustable

☒-17017 BARRAQUER - OOSTERHUIS - KRATZ
Eye Speculum
adjustable, fenestrated
15 mm open blades
overall length 40 mm



☒-32119 KRATZ - BARRAQUER
Eye Speculum
adjustable, fenestrated
15 mm round wing blades
overall length 40 mm



☒-17027 THOMAS NEUHANN
Eye Speculum
adjustable
15 mm solid blades
overall length 40 mm

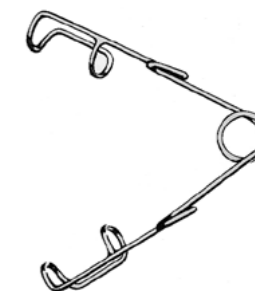


☒-17030 SAUER
Eye Speculum
12 mm solid blades
overall length 30 mm



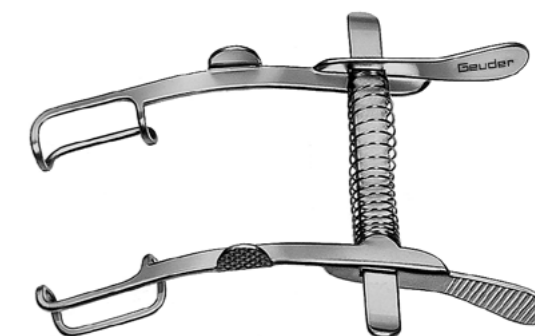
Geuder® 01 Eye Specula
Wire, adjustable

☒-32134 TAKEDA
Eye Speculum
for infants
9 mm fenestrated blades
with finger grips
and angled interlacing valves
overall length 28 mm

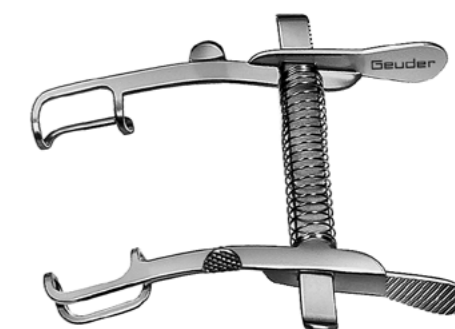


Geuder® 01 Eye Specula
Adjustable, locking

☒-15945 MELLINGER
Eye Speculum
large
adjustable, self retaining
16.5 mm fenestrated blades
overall length 65 mm

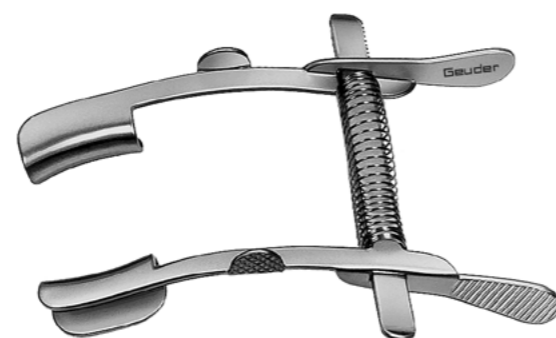


☒-32130 MELLINGER
Eye Speculum
small, for infants
adjustable, self retaining
12.5 mm fenestrated blades
overall length 55 mm



Geuder® 01 Eye Specula
Adjustable, locking

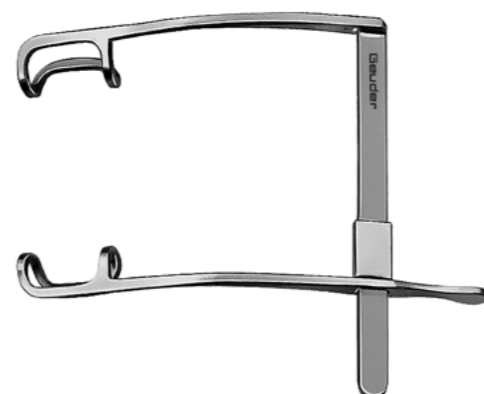
☒-15946 MELLINGER - BEARD
Eye Speculum
large
adjustable, self retaining
15.5 mm solid blades
overall length 65 mm



☒-32135 MELLINGER - BEARD
Eye Speculum
small, for infants
adjustable, self retaining
11.5 mm solid blades
overall length 55 mm

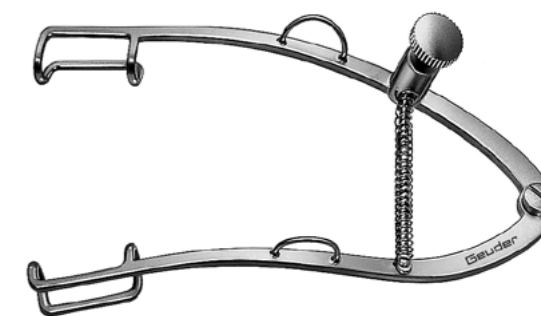


☒-16050 PRETORI
Eye Speculum
13.5 mm fenestrated blades
adjustable, self retaining
overall length 63 mm
left
☒-16055 right

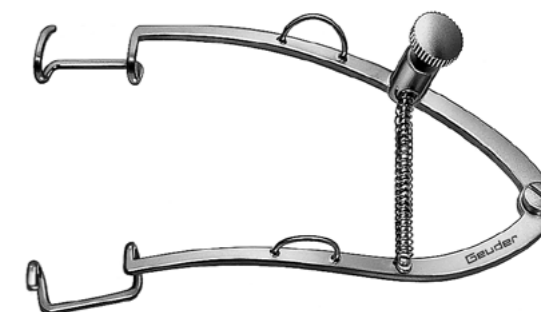


Geuder® 01 Eye Specula
Adjustable, locking

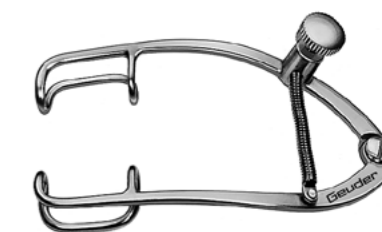
☒-15950 WEISS
Eye Speculum
fenestrated
adjustable with locking screw
17.5 mm blades
overall length 85 mm



☒-15951 WEISS
Eye Speculum
fenestrated
adjustable with locking screw
17.5 mm open blades
overall length 85 mm



☒-15955 WEISS
Eye Speculum
small
adjustable with locking screw
15 mm fenestrated blades
overall length 55 mm

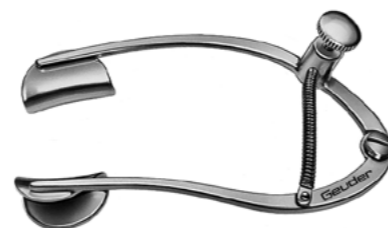


☒-15970 WEISS
Eye Speculum
adjustable with locking screw
16.5 mm solid blades
overall length 85 mm

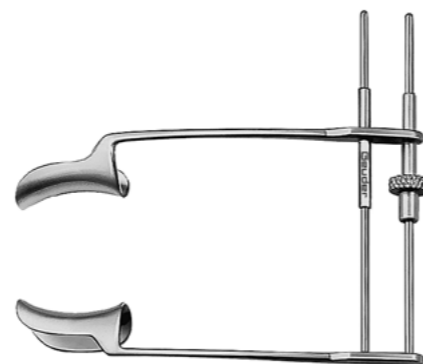


Geuder® 01 Eye Specula
Adjustable, locking

GS-15975
WEISS
Eye Speculum
small
adjustable with locking screw
14 mm solid blades
overall length 55 mm



GS-16010
BANGERTER
Eye Speculum
adjustable, with locking screw
15 mm solid blades
overall length 52 mm



GS-16025
CASTROVIEJO
Eye Speculum
medium
16 mm blades,
fenestrated, adjustable
overall length 96 mm



GS-15990
COOK
Eye Speculum
large
16 mm solid blades
adjustable, with locking screw
overall length 50 mm



Geuder® 01 Eye Specula
Adjustable, locking

GS-15995
COOK
Eye Speculum
medium
11 mm solid blades
adjustable, with locking screw
overall length 40 mm



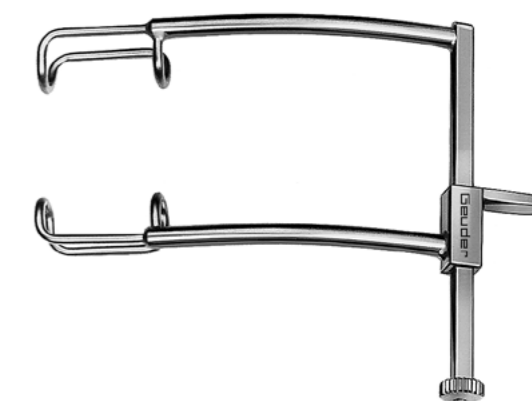
GS-16000
COOK
Eye Speculum
small
8 mm solid blades
adjustable, with locking screw
overall length 35 mm



GS-32128
COOK
Eye Speculum
for infants
5 mm solid blades
adjustable, with locking screw
overall length 30 mm



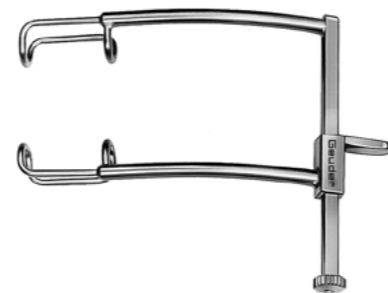
MURDOCK
Eye Speculum
14 mm fenestrated blades
adjustable, self retaining
overall length 50 mm
GS-17000 left
GS-17001 right



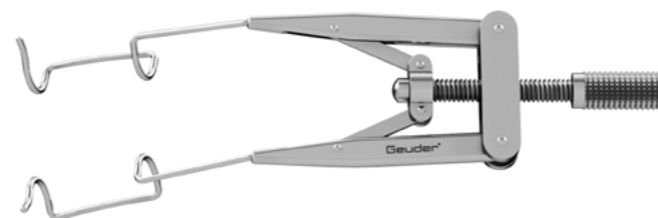
Geuder® 01 Eye Specula
Adjustable, locking

MURDOCK
Eye Speculum
small
12 mm fenestrated blades
adjustable, self retaining
overall length 45 mm

☒-17002
☒-17003



☒-15960
LIEBERMAN - TENNANT
Eye Speculum
adjustable, fenestrated
for temporal placement
15 mm open blades
overall length 80 mm



☒-15965
KERSHNER
Eye Speculum
adjustable, reversible
for nasal and temporal placement
15 mm fenestrated blades
overall length 75 mm



☒-15966
KERSHNER
Eye Speculum
adjustable, reversible
for nasal and temporal placement
15 mm solid blades
overall length 75 mm

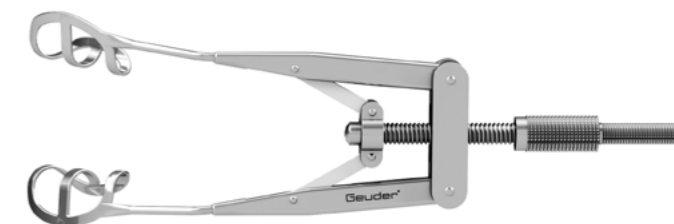


☒-33965
DICK
Femtocataract Eye Speculum
adjustable
18 mm flattened fenestrated blades
with middle bar to control redundant lid tissue
overall length 80 mm



Geuder® 01 Eye Specula
Adjustable, locking

☒-33971
SOLOMON
Femtocataract Eye Speculum
14.5 mm flattened fenestrated blades
with middle bar to control redundant lid tissue
double knurled screw for fast adjustment
and fine tuning
overall length 95 mm



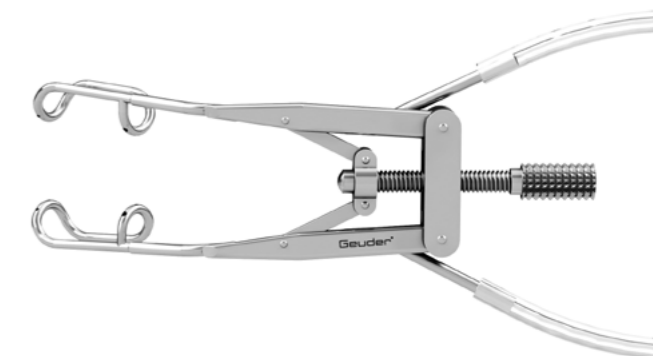
Geuder® 01 Eye Specula
Aspiration, adjustable, locking

☒-33919
Spare Tubing Set
for eye speculum with aspiration



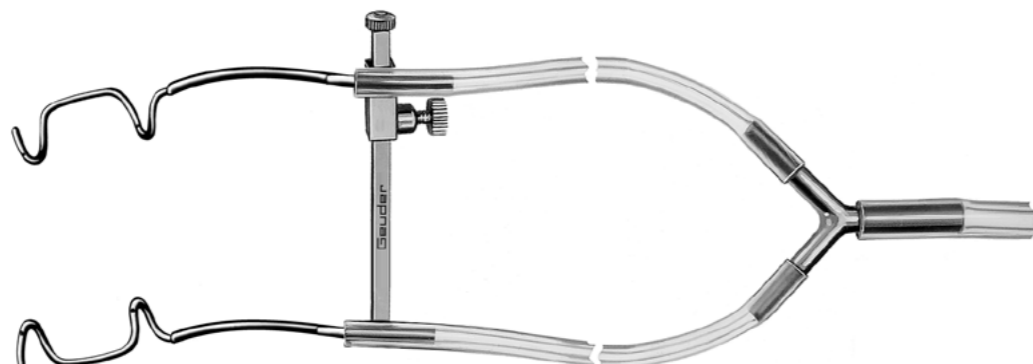
Scale 1:2

☒-33920
KNORZ
LASIK Eye Speculum
adjustable, with aspiration
16 mm fenestrated blades
to remove excess fluid from the surgical field
supplied with silicone tubing and adapter



Geuder® 01 Eye Specula

Aspiration, adjustable, locking



NODA

Eye Speculum

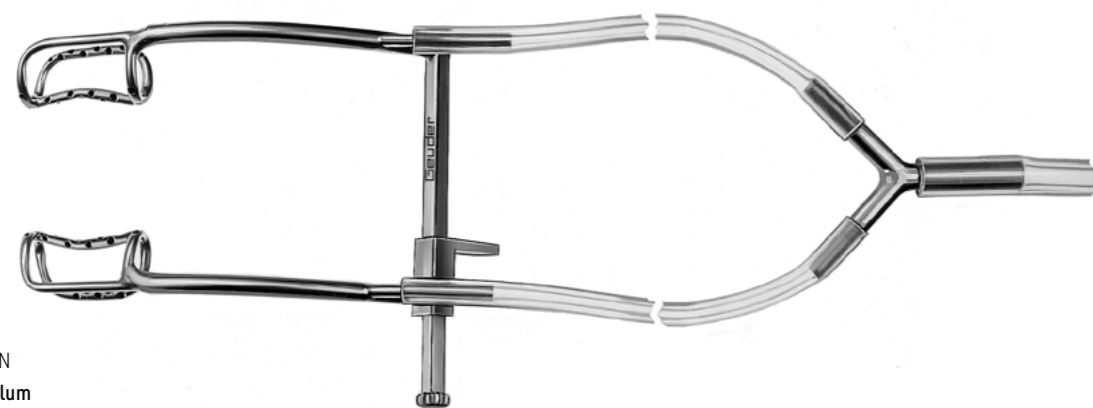
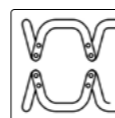
adjustable, with aspiration
to remove excess fluid from the surgical field
supplied with silicone tubing and adapter

☒-17019

15 mm open blades

☒-17021

12 mm open blades, for infants



☒-17005

PAULMANN

Eye Speculum

adjustable, with aspiration for PPV,
with extra aspiration bar
16 mm fenestrated blades
to remove excess fluid from the surgical field
supplied with silicone tubing and adapter

☒-17006

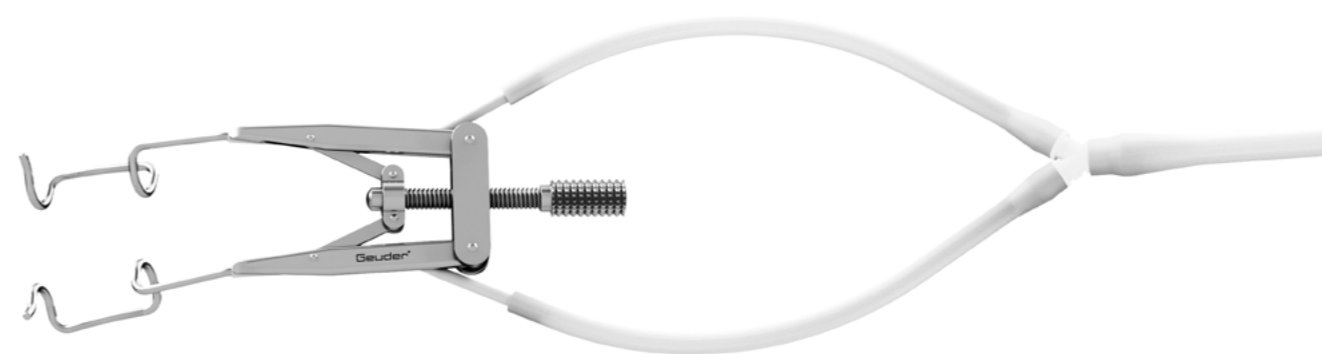
Clamp for Infusion Tube

for PAULMANN Eye Speculum (☒-17005)



Geuder® 01 Eye Specula

Aspiration, adjustable, locking

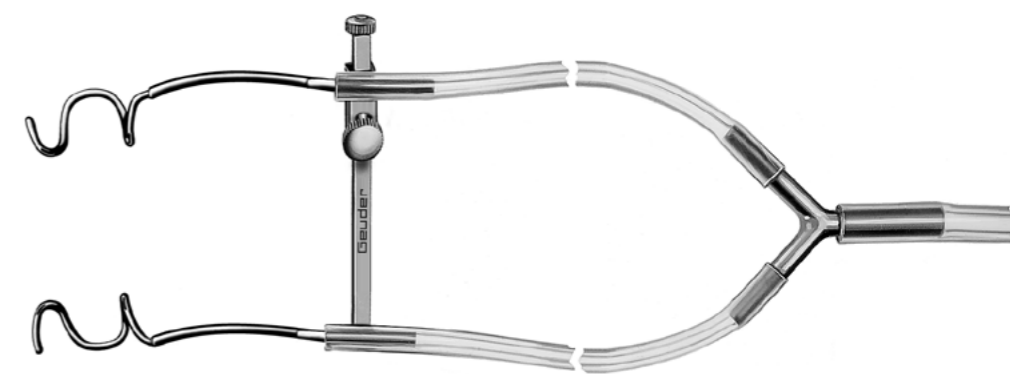
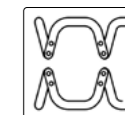


☒-15961

LIEBERMAN - TENNANT

Eye Speculum

adjustable, with aspiration for temporal placement
15 mm open blades
overall length 80 mm
to remove excess fluid from the surgical field
supplied with silicone tubing and adapter

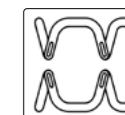


☒-17024

KOGA - NODA

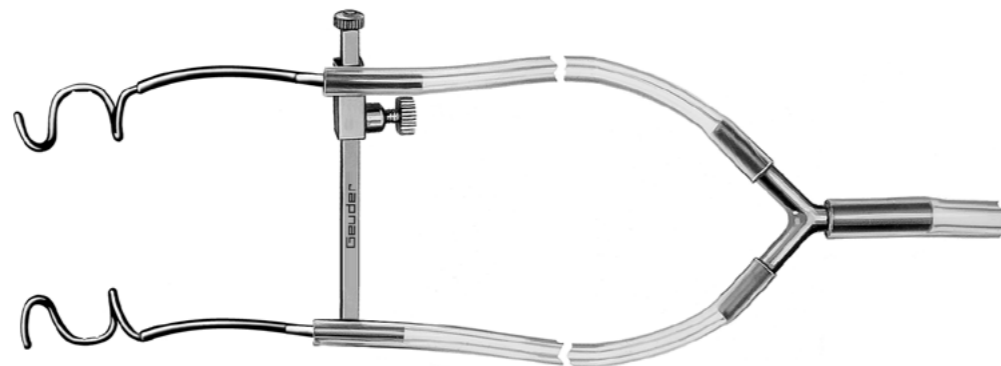
Eye Speculum

with 5 mm aspiration slits
adjustable
12 mm open blades
to remove excess fluid from the surgical field
supplied with silicone tubing and adapter



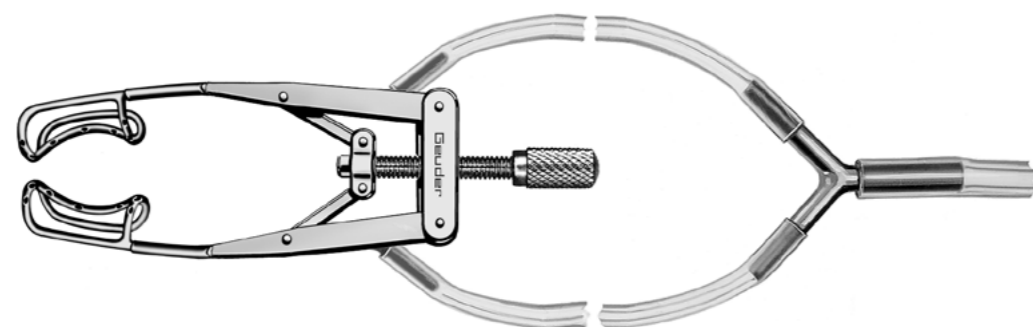
Geuder® 01 Eye Specula

Aspiration, adjustable, locking



GS-17031

NODA
Eye Speculum
adjustable, with aspiration
open blades
2 x 10 aspiration ports
supplied with silicone tubing and adapter

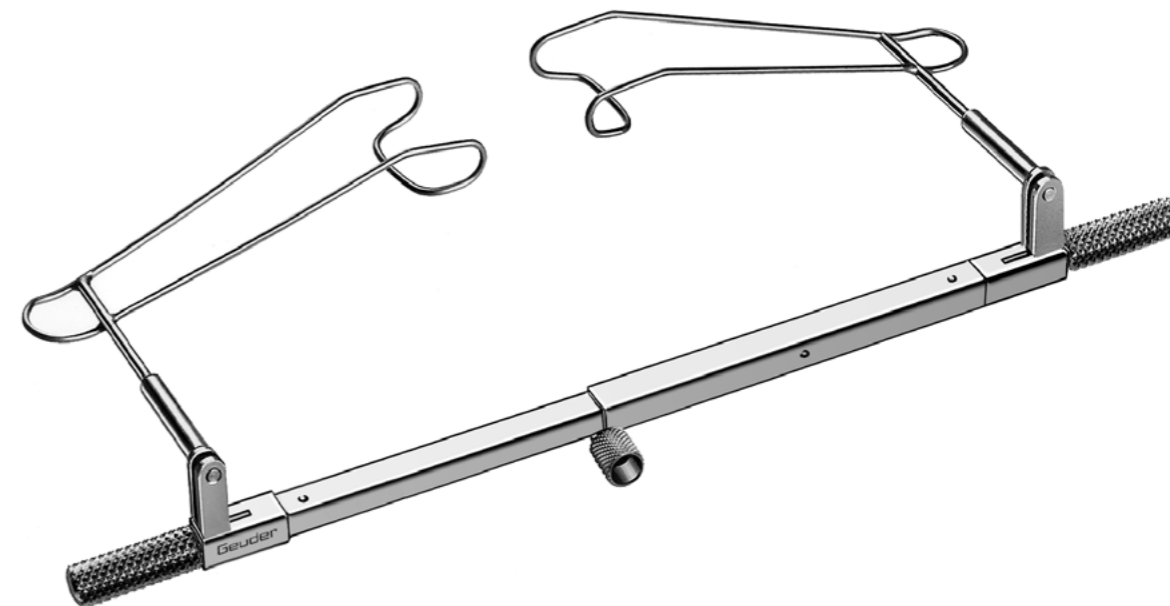


GS-33925

MAUS
LASIK Eye Speculum
adjustable, with middle aspiration bar
16 mm fenestrated blades
to remove excess fluid from the surgical field
supplied with silicone tubing and adapter

Geuder® 01 Eye Specula

Glaucoma



GS-15920

Eye Speculum
fenestrated blades
adjustable mechanism regulates opening and blade elevation
optimal for glaucoma surgery
large, 16 mm blades



G-15921

SCHOTT
Eye Speculum
solid blades
adjustable mechanism regulates opening and blade elevation
optimal for glaucoma surgery
large, 15 mm blades
