



TABLET DESKTOP STAND



fashion and high quality. full made of aluminum alloy with surface oxidation finish. Fashion and high-grade appearance, can be located in high commercial activities, such as exhibition show, new product/service launches, hotel payment, and many other places. also can be used in some personal places, place ipad stands in the retailing display for sales.

1, aluminum alloy metal made tablet pc display stand with security system, with high nice appearance and sturdy function.

2, mountin bracket for Apple iPad 2/3/4 or other tablet pc with same size and thickness. with security system for locking ipad and other tablet pc in the mounting box inside, keep tablet pc safe in the carrier, anti-theft tablet frame pc accessories, no worries others can stole pc tablet.

3, tablet pc security display holder, for secure mounting on desk/counter, with adjustable turning



tablet pc security lock display bracket is like a small box, you can open the cover and put ipads/tablet pc in, close the cover and lock it.

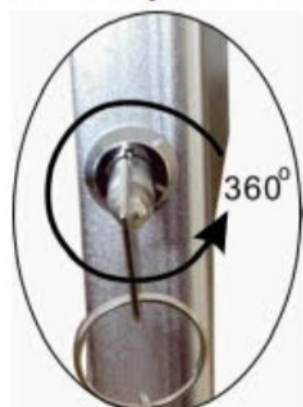
the soft pad to protect ipads and tablet pc from scratches. work universal tablet pc. mounting support are made of aluminum alloy, making prop more strong. and its metal texture makes it nicer.



Adjustable & Flexible Bracket and Rotating 360°.

◆To use the stand Bracket:

1. Insert the key and turn it 360° to release the lock, and then remove the cover.



The lock is released



2. Let the case on horizontal position and then put the Tablet PC into the case, at last install the cover.



3. Press the button of lock after installing the cover, and then adjust the angle you need by bending the connecting part.



Press



Tablet Table stand / security lock case for 10 inch tablet mount on the desktop

TS9A



Holder: Aluminium Alloy.
 Holder Surface: Oxidation.
 Holder Max Loading: 1KG.
 Holder Size: 33.4*22.8CM.
 Holder Compatible Tablet Size: 29*21*1.5cm, existing locked enclosure for Samsung Galaxy Tab 1 2 3 4 or Note, 10.1 inch version.
 Holder: lockable, 360 degree rotatable.
 Viewing angle: adjustable.
 Enclosure could be customized.

Tube: Aluminium Alloy.
 Tube Surface: Oxidation.
 Tube Size: 20X3.5X3.5cm.
 Tube can not be rotatable.

Base : iron. V-shape.
 Base surface: Painting.
 Colour: Silver.

Tablet Table stand / security lock case for 10 inch tablet mount on the desktop

TS8A



Holder: Aluminium Alloy.
 Holder Surface: Oxidation.
 Holder Max Loading: 1KG.
 Holder Size: 24.6*19.2CM.
 Holder Compatible Tablet Size: 29*21*1.5cm, existing locked enclosure for Samsung Galaxy Tab 1 2 3 4 or Note, 10.1 inch version.
 Holder: lockable, 360 degree rotatable.
 Lock case display at portrait or landscape position.
 Screw on the desktop.
 Viewing angle: adjustable.
 Enclosure could be customized.

Tube: Aluminium Alloy.
 Tube Surface: Painting.
 Tube Size: 26X2.8cm. (length X Dia)
 Flexible Tube.

Base : iron.
 Base surface: Painting.
 Colour: Silver.

The Universal bracket desk mount for 7" to 11" in the all ipad stand

TS9B



The Universal security device offers top class security for tablet

The tablet security device consists of a very secure adjustable bracket and stand

The security bracket encapsulates two corner of the Tablet and is secured by means of high quality security locks.

Our adjustable tablet bracket supports your tablet across opposite corners.

Allows the tablets to rotate at different angles, even 360° rotation or upward/downward, therefore, users can choose their favorite viewing angle by adjusting the holder.



TABLET DESKTOP/WALL STAND



(Screw on wall or desktop)

wall / desk stand newest anti-theft stand accessories, with security bracket enclosure, made of metal---aluminum alloy, which make stand kiosk stable function and fashion. with screwed base, can be fixed into wall or table or other place. can be used in the public places and commercial situation. with adjustable parts, can be 360 degree in horizontal direction and minus/plus 30 degree in vertical direction.

Tablet Table stand / security lock case for 10 inch tablet mount on the desktop

TS-7



- Holder: Aluminium Alloy.
 - Holder Surface: Painting.
 - Holder Max Loading: 1KG.
 - Holder Size: 33.4*22.8*1.6CM.
 - Holder Compatible Tablet Size: 29*21*1.5cm, existing locked enclosure for Samsung Galaxy Tab 1 2 3 4 or Note, 10.1 inch version.
 - Holder: lockable, 360 degree rotatable.
 - Lock case display at portrait or landscape position.
 - Screw on the desktop.
 - Viewing angle: adjustable.
 - Enclosure could be customized.
- Tube: iron.
 - Tube Surface: Painting.
 - Tube Size: 26X2.8cm. (length X Dia)
 - Flexible Tube.
- Base : Aluminium Alloy..
 - Base surface: Painting.
 - Base with 4 drill holes.
 - Colour: Silver.

Universal stand locked holder for 7" tablet / 8" tablet / 10" tablet

TS-8



Newest tablet locked stand series, with universal holder for 7" tablet /8" tablet /10" tablet pc. metal stand kiosk, no worries the stands broken easily. adjustable wall mounting bracket, flexible and rotating. metal base with 4 holes, can be screwed into the counter/desk top, and fixed into the wall mount. turning mechanism helps the stands adjustable and rotating 360 degrees. the anti-theft mounting enclosure, tablet pc can be locked in the box safely. universal stand holder, compatible with 7"-10" tablets.no matter 7" tablet,8" tablet or 10" tablets, they all work.

TABLET FLOOR STAND

Existing lock case for Samsung Galaxy Tab1 2 3 4 or Note 10.1 inch tablet.



Ts22



tablet anti-theft mounting holder is adjustable and flexible, bracket and rotating 360 degree.

it is with lockable devices, no worry other can take tablet pc away.



Holder with Lock
Holder: Aluminium Alloy.
Holder Surface : Oxidation.
Holder Size : 33.4*22.8*1.6CM.
Holder Compatible Max Tablet Size:
for 29*21*1.5cm.

Tube: Aluminium Alloy.
Tube Surface: Oxidation.
Tube Size: 110X3.5X3.5cm.

Base : iron.
Base surface: Painting.
Base Size: 25X25cm.
Base N.W.: 4.5kgs.
Colour: Silver.

the soft pad to protect tablet pc from scratches. pc. mounting support are made of aluminum alloy, making prop more strong. and its metal texture makes it nicer. tablet pc security lock display bracket is like a small box, you can open the cover and put tablet pc in,

The Universal tablet bracket mount for 7" to 11" in all ipad stands



Ts22-a



The universal security device offers top class security for tablet

The tablet security device consists of a very secure adjustable bracket and stand.

The security bracket encapsulates two corner of the Tablet and is secured by means of high quality security locks.

Our adjustable tablet bracket supports your tablet across opposite corners.

Allows the tablets to rotate at different angles, even 360 degree rotation or upward/downward, therefore, users can choose their favorite viewing angle by adjusting the holder.



Ts21



HEIGHT ADJUSTABLE

Holder: Aluminium Alloy.
 Holder Surface: Oxidation.
 Holder Max Loading: 1KG.
 Holder Max Depth: 20mm.
 Holder Compatible Tablet Size: 5 to 12.6 inches (128 mm to 320mm). It also can fix a mobile phone & e-reader.
 Gooseneck Material: Iron.
 Gooseneck Surface: painting.
 Gooseneck Length: 567mm.
 Aluminium Adjustable Tube Stretching from 480mm to 760mm.
 Color: Silver.
 Base Cover: Steel, surface: painting.
 Base :iron & plastic mixed.
 Base size: 265mm X 265mm.



Flexible connector allows tilt and swivel in all direction



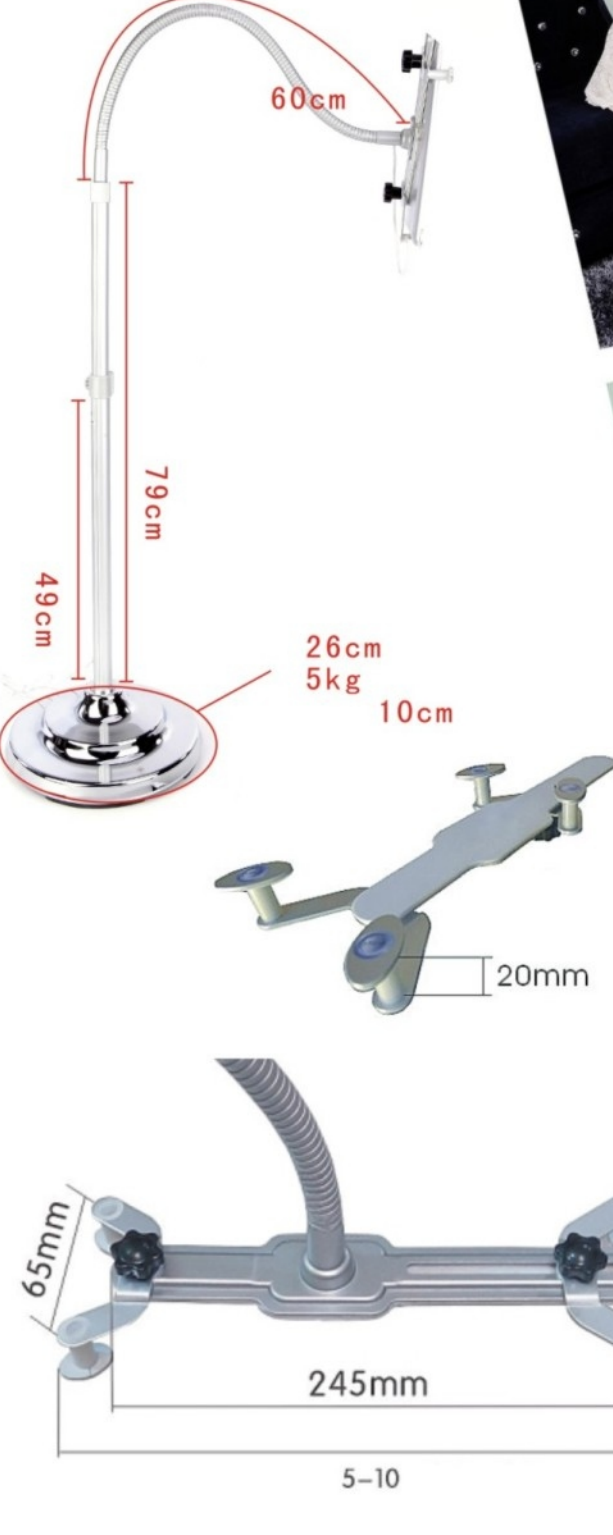
Rigid connector allows stretch up and down (ipad height adjustment range 0.17m - 1.5m)



Heavy duty base lets it stand reliably and easily

ROTATING 360°

Compatible tablet size : 5 inch to 12.6 inch (128mm to 320mm)
 Holder maximum loading : 1kg.
 Holder maximum depth : 20mm



Rife910

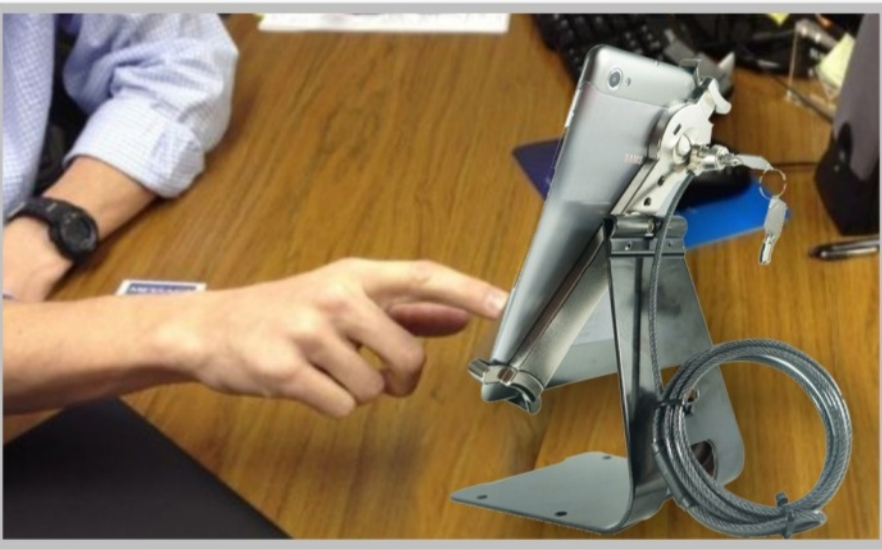
Universal Tablet Lock Stand



iPad Multipurpose case with a 360 rotating handle

- *Durable & convenient anti-theft security device for your iPad
- * Fits iPad, iPad 2, new iPad, iPad 4, and iPad Air.
- * fit different stand and wall mount
- * Available with various cable locking solutions

Material : ABS
Case Size : 248.3 x 199.1 x 35.5mm



RIFE TECHNOLOGIES

Delhi Office:

362, Vardman Plaza - II, J-Block, Community Centre, Rajouri Garden, New Delhi - 110027

☎ (011) 2516-7799, 2592-5555
✉ sales@rifeindia.com
🌐 www.rifeindia.com

HongKong Office:

Ergonomic Corporation (Hong Kong) Limited. 2nd floor Eton tower 8, Hysen Avenue Causeway, Hongkong.

☎ 852 - 61819896
✉ rishi@ergohongkong.com, ergohongkong@gmail.com
🌐 www.ergohongkong.com