

Create rows of screens
1x2, 1x3, 1x4 or walls 2x2,
3x3, 4* 4 or even more...



Simply push against the
screen to release the lock,
then the screen will pop
out.

Features lateral shift brackets
and built-in screen level
adjustment for seamless
display alignment and
levels.

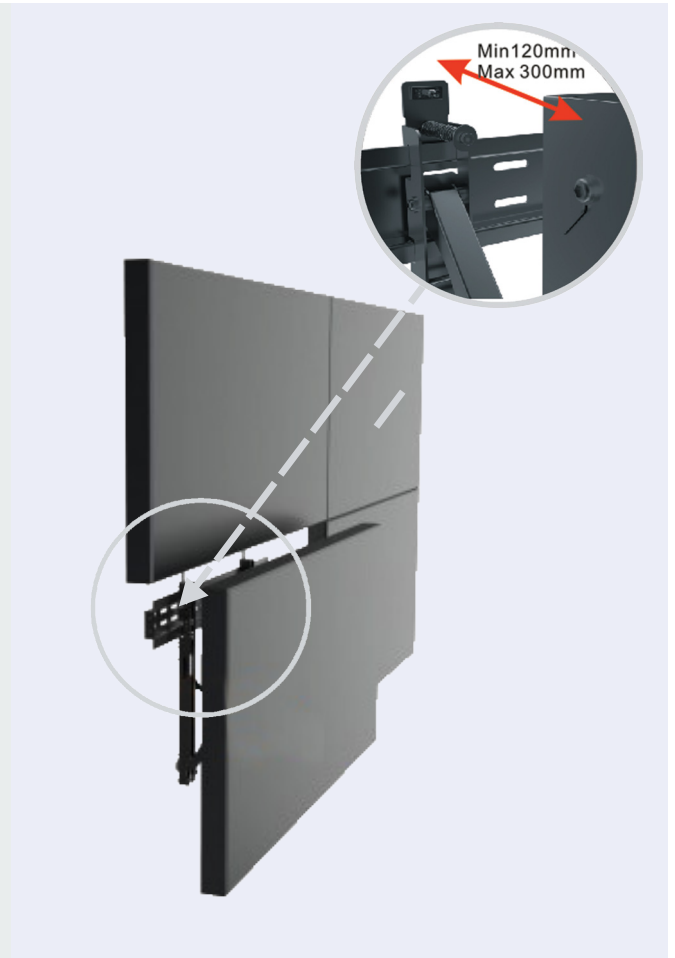
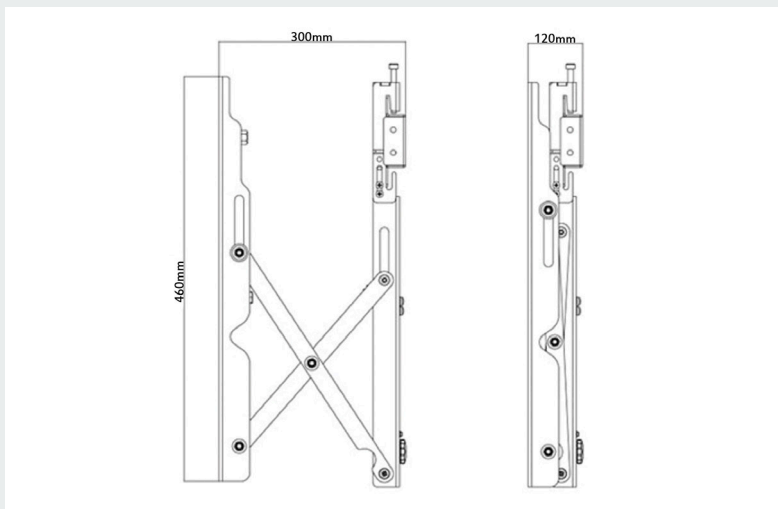


SMART VIDEO WALL MOUNT

About Product

Smart video wall mount designed to offer the ultimate in versatility and universal compatibility with load capacity of 40kg per screen and max. VESA 600x400 hole patterns. This mount extends out 202mm from the wall by a press with the innovative pop-out function and goes back to 60mm to wall when retracted and locked. Featuring lateral shift brackets and built-in screen level adjustment for seamless display alignment and levels. It is the perfect solution for public and commercial displays.

Easy-access to your after-service, as you can pop out 1 screen and service it and push it back. This is often one of the major functions needed when building a video wall mounting solution.



Specifications

- ➔ Simply push against the screen to release the lock, then the screen will pop out, you do not need to remove any other screens to access a center screen for maintenance or when placed in recessed areas.
- ➔ The pop out feature is handled by its scissor arm construction expanding out and re. Of course the screen is as easily pushed back into place after maintenance is finished.
- ➔ Configure rows of screens 1x2, 1x3, 1x4 or walls 2x2, 3x3 or 4* 4 or bigger or Fine tuning for post-installations alignments.
- ➔ Maximum load per Tv : 40 kg
- ➔ Suitable For screen size: - 32-55"