

MULTIPLE MONITOR STANDS (ECONOMICAL SERIES)

Will make your display more modern working environment
Sturdy stand even if the load is also able to move smoothly, comes with wire hook, wire easily placed more beautiful

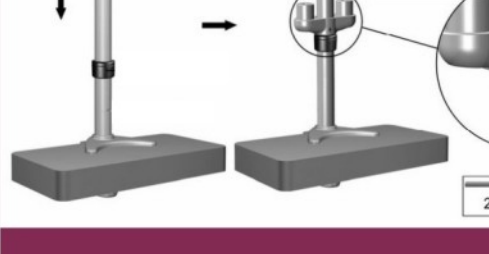
Arms are fully adjustable



Clamp Type Base

Free Standing Base

For Height Adjustment just slide the clamp along the pole and adjust using the Allen wrench provided.



2.5mm



Wire Management in Arm

AVAILABLE IN BLACK COLOR & SILVER BOTH



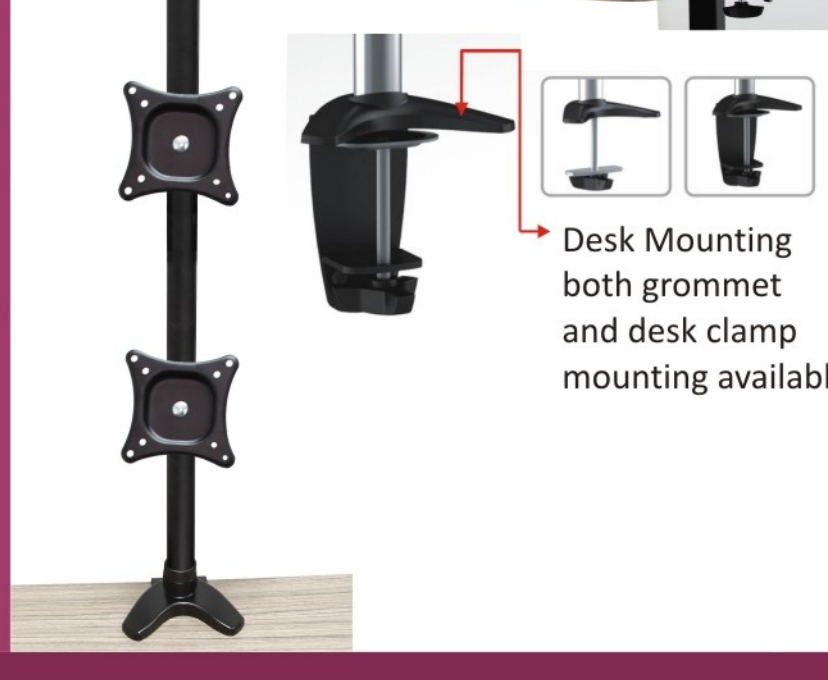
Dual Monitor Stand Vertical
(Clamp type)



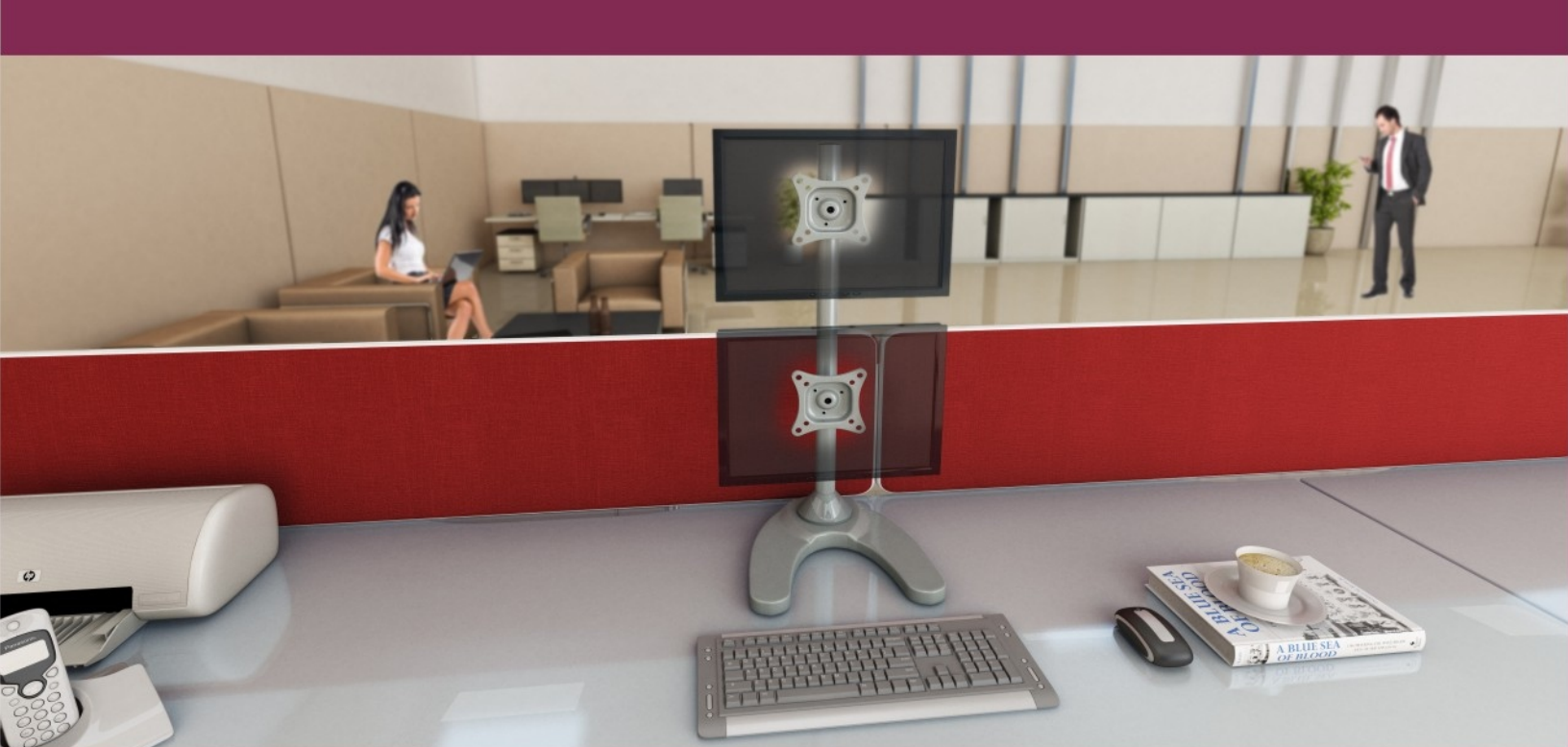
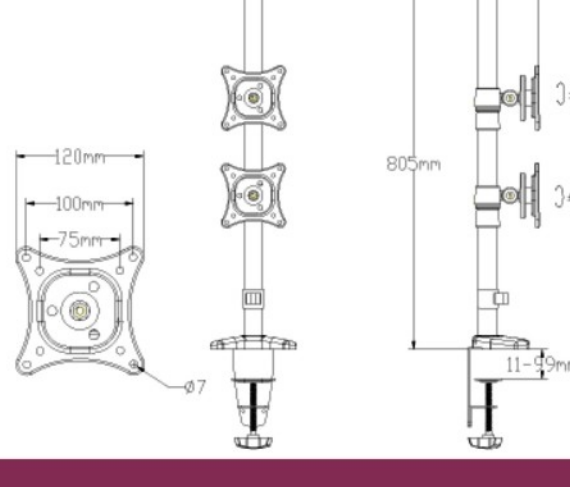
ED-VC

Designs to support Dual screen from one pole.

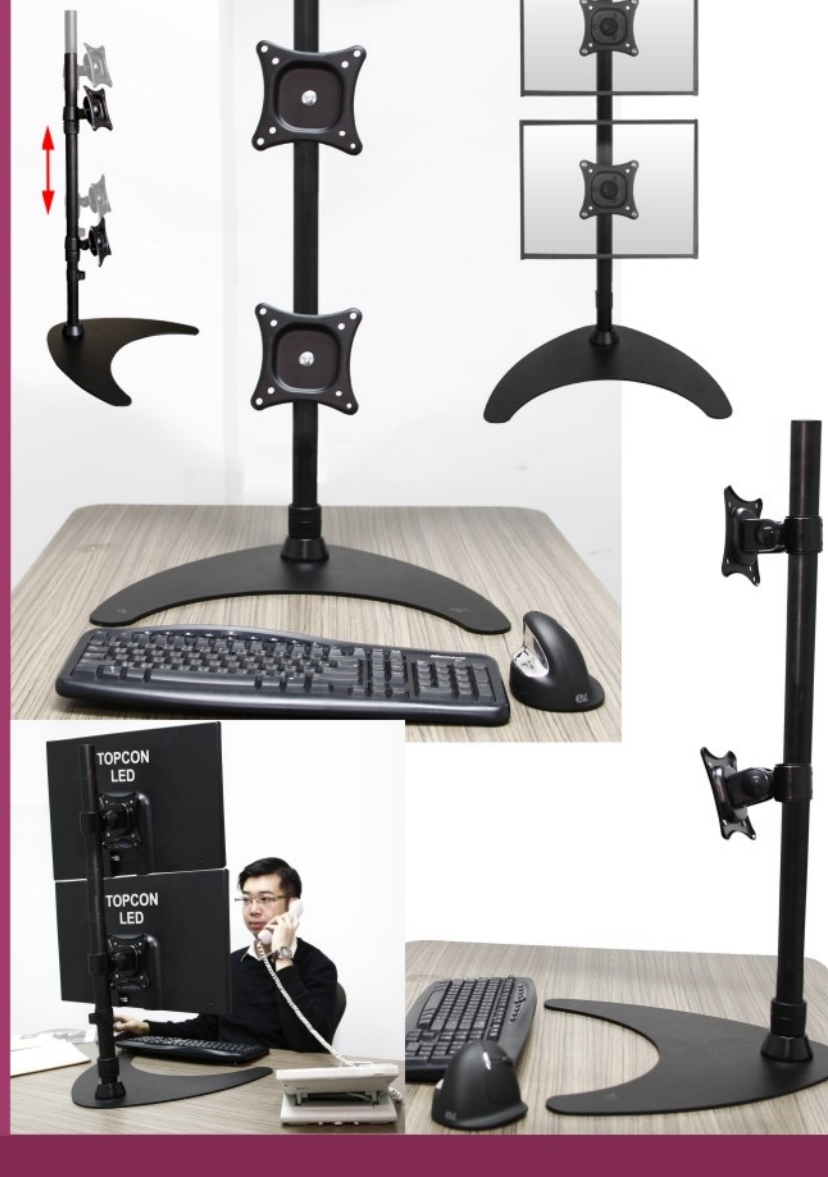
Free up your desk space.
Securely clamps to any desk.
Clamps around or through desk.
Adjustable height.
Tidies and Manages Cables.
The height adjustment of arms is continuous along the pole and adjust using the Allen wrench provided.
Each mount can be tilted left, right, up & down . You can also rotate each monitor from portrait to landscape on the fly.
15° Screen Tilt.
To fit screen sizes : 13" to 27" (33-69cm).
Maximum monitor weight : 8kg (17lbs).
VESA compatibility : 75x75mm to 100x100mm.
Inbuilt option in to Clamp or Bolting to desk . Integral cable management neatly stores cables.



Desk Mounting both grommet and desk clamp mounting available



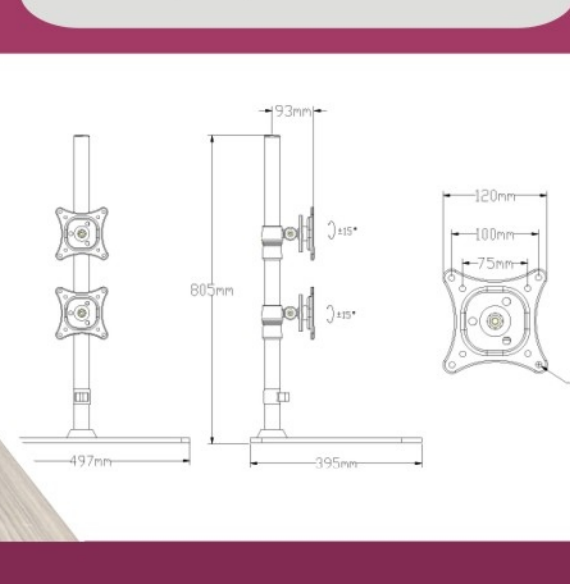
Dual Monitor Stand Vertical
(Freestanding)



ED-VF

Designs to support Dual screen from one pole.

Freestanding with heavy metal base
Adjustable height.
Tidies and Manages Cables.
The height adjustment of arms is continuous along the pole and adjust using the Allen wrench provided.
Each mount can be tilted left, right, up & down . You can also rotate each monitor from portrait to landscape on the fly.
15° Screen Tilt.
To fit screen sizes : 13" to 27" (33-69cm).
Maximum monitor weight : 8kg (17lbs).
VESA compatibility : 75x75mm to 100x100mm.



Dual Monitor Stand Horizontal
(Clamp type)



ED-HC

Designs to support two screens from one pole.

Free up your desk space.
Securely clamps to any desk.
Clamps around or through desk.
Adjustable height.
Tidies and Manages Cables.
The height adjustment of arms is continuous along the pole and adjust using the Allen wrench provided.
Each mount can be tilted left, right, up & down . You can also rotate each monitor from portrait to landscape on the fly.
15° Screen Tilt.
To fit screen sizes : 13" to 27" (33-69cm).
Maximum monitor weight : 8kg (17lbs).
VESA compatibility : 75x75mm to 100x100mm.
Inbuilt option in to Clamp or Bolting to desk . Integral cable management neatly stores cables.



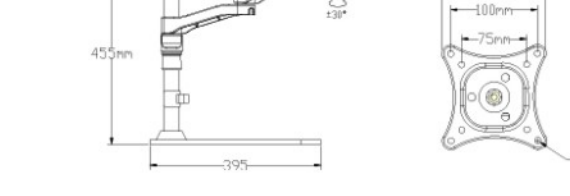
Dual Monitor Stand Horizontal
(Freestanding)



ED-HF

Designs to support dual screens from one pole.

Freestanding with heavy metal base
Adjustable height.
Tidies and Manages Cables.
The height adjustment of arms is continuous along the pole and adjust using the Allen wrench provided.
Each mount can be tilted left, right, up & down . You can also rotate each monitor from portrait to landscape on the fly.
15° Screen Tilt.
To fit screen sizes : 13" to 27" (33-69cm).
Maximum monitor weight : 8kg (17lbs).
VESA compatibility : 75x75mm to 100x100mm.





Triple Monitor Stand Vertical (Freestanding)

ET-VF

Designs to support Dual screen from one pole.

Freestanding with heavy metal base
Adjustable height.
Tidies and Manages Cables.
The height adjustment of arms is continuous along the pole and adjust using the Allen wrench provided.
Each mount can be tilted left, right, up & down .
You can also rotate each monitor from portrait to landscape on the fly.
15° Screen Tilt.
To fit screen sizes : 13" to 27" (33-69cm).
Maximum monitor weight : 8kg (17lbs).
VESA compatibility : 75x75mm to 100x100mm.

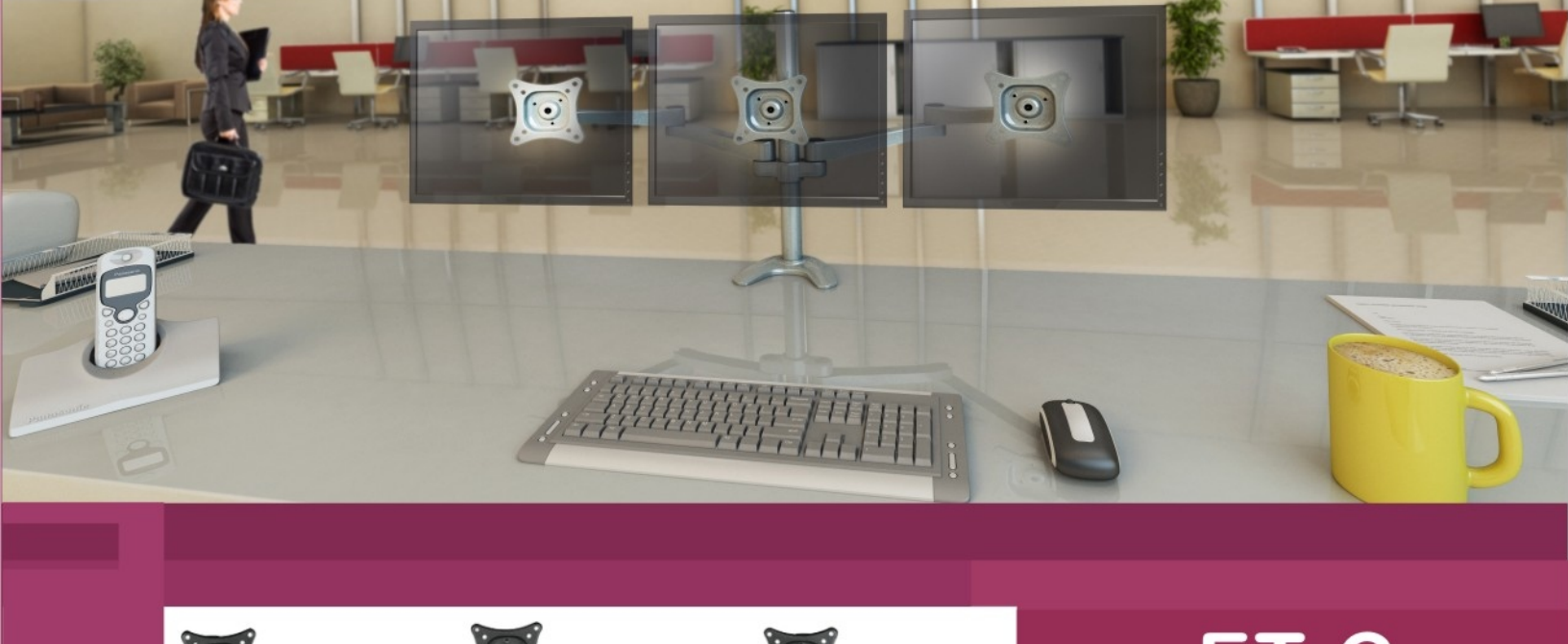


Triple Monitor Stand Vertical (Fix Type)

ET-VFT

Designs to support Dual screen from one pole.

Stand can be bolted to table
Adjustable height.
Tidies and Manages Cables.
The height adjustment of arms is continuous along the pole and adjust using the Allen wrench provided.
Each mount can be tilted left, right, up & down .
You can also rotate each monitor from portrait to landscape on the fly.
15° Screen Tilt.
To fit screen sizes : 13" to 27" (33-69cm).
Maximum monitor weight : 8kg (17lbs).
VESA compatibility : 75x75mm to 100x100mm.

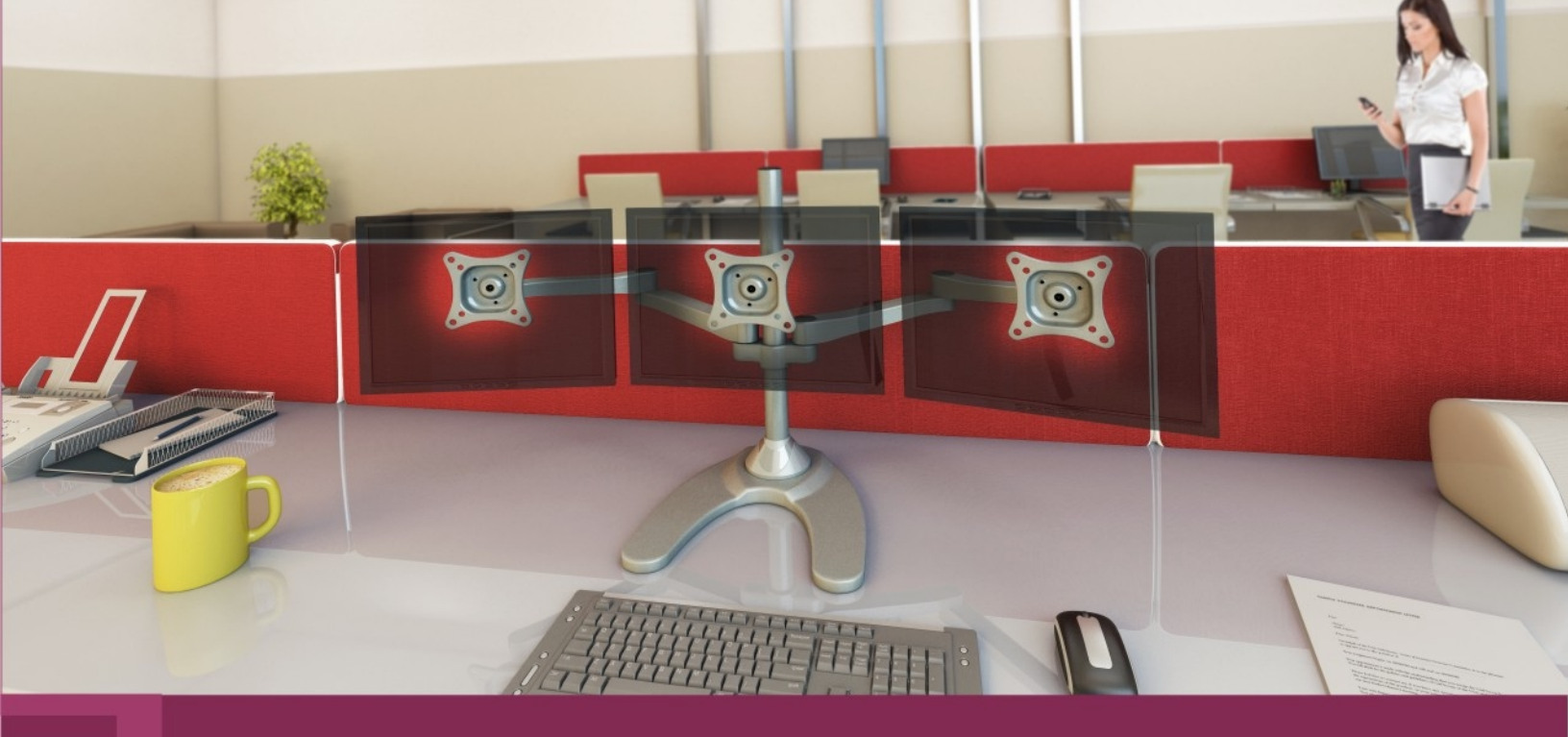


Triple Monitor Stand (Clamp type)

ET-C

Designs to support triple screens from one pole.

Free up your desk space.
Securely clamps to any desk.
Clamps around or through desk.
Adjustable height.
Tidies and Manages Cables.
The height adjustment of arms is continuous along the pole and adjust using the Allen wrench provided.
Each mount can be tilted left, right, up & down .
You can also rotate each monitor from portrait to landscape on the fly.
15° Screen Tilt.
To fit screen sizes : 13" to 27" (33-69cm).
Maximum monitor weight : 8kg (17lbs).
VESA compatibility : 75x75mm to 100x100mm.
Inbuilt option in to Clamp or Bolting to desk . Integral cable management neatly stores cables.



Triple Monitor Stand (Freestanding)

ET-F

Designs to support triple screens from one pole.

Freestanding with heavy metal base
Adjustable height.
Tidies and Manages Cables.
The height adjustment of arms is continuous along the pole and adjust using the Allen wrench provided.
Each mount can be tilted left, right, up & down .
You can also rotate each monitor from portrait to landscape on the fly.
15° Screen Tilt.
To fit screen sizes : 13" to 27" (33-69cm).
Maximum monitor weight : 8kg (17lbs).
VESA compatibility : 75x75mm to 100x100mm.



Triple Monitor Stand (Freestanding)

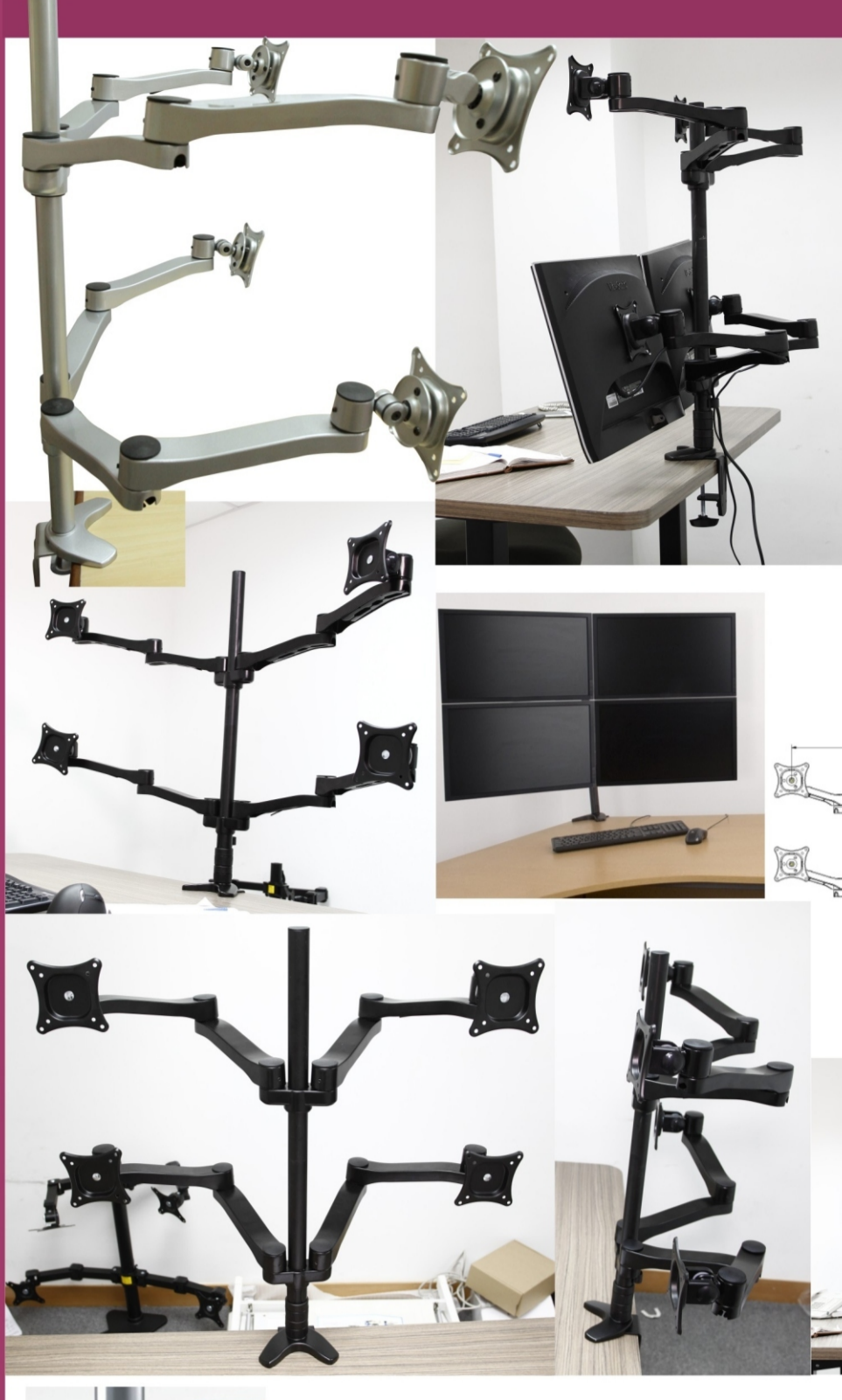
ET-FW

Designs to support triple screens from one pole.

Freestanding with heavy metal base
Adjustable height.
Tidies and Manages Cables.
The height adjustment of arms is continuous along the pole and adjust using the Allen wrench provided.
Each mount can be tilted left, right, up & down .
You can also rotate each monitor from portrait to landscape on the fly.
15° Screen Tilt.
To fit screen sizes : 13" to 27" (33-69cm).
Maximum monitor weight : 8kg (17lbs).
VESA compatibility : 75x75mm to 100x100mm.
Foldable arms enable rotation of corner monitor inwards to form a concave shape with 3 monitors for viewing comfort.



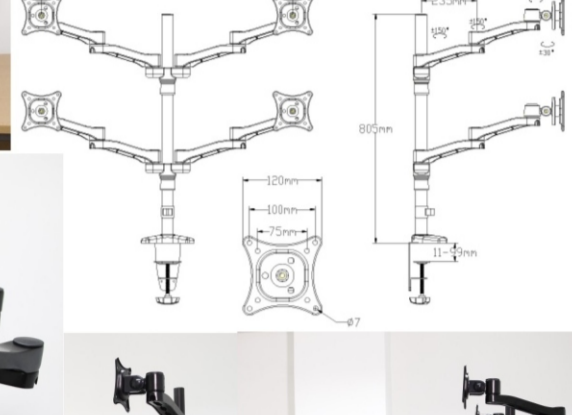
Quadruple Monitor Stand
(Clamp Type)



EQ-C

Designs to support four screens from one pole.

Free up your desk space. Securely clamps to any desk. Clamps around or through desk. Adjustable height. Tidies and Manages Cables. The height adjustment of arms is continuous along the pole and adjust using the Allen wrench provided. Each mount can be tilted left, right, up & down. You can also rotate each monitor from portrait to landscape on the fly. 15° Screen Tilt. To fit screen sizes : 13" to 27" (33-69cm). Maximum monitor weight : 8kg (17lbs). VESA compatibility : 75x75mm to 100x100mm. Inbuilt option in to Clamp or Bolting to desk. Integral cable management neatly stores cables.



Quadruple Monitor Stand
(Freestanding)



EQ-F

Designs to support triple screens from one pole.

Freestanding with heavy metal base Adjustable height. Tidies and Manages Cables. The height adjustment of arms is continuous along the pole and adjust using the Allen wrench provided. Each mount can be tilted left, right, up & down. You can also rotate each monitor from portrait to landscape on the fly. 15° Screen Tilt. To fit screen sizes : 13" to 27" (33-69cm). Maximum monitor weight : 8kg (17lbs). VESA compatibility : 75x75mm to 100x100mm.



Five Monitor Stand
(Freestanding with Premium Base)



EQ-FP

Designs to support triple screens from one pole.

Freestanding with heavy metal base Adjustable height. Tidies and Manages Cables. The height adjustment of arms is continuous along the pole and adjust using the Allen wrench provided. Each mount can be tilted left, right, up & down. You can also rotate each monitor from portrait to landscape on the fly. 15° Screen Tilt. To fit screen sizes : 13" to 27" (33-69cm). Maximum monitor weight : 8kg (17lbs). VESA compatibility : 75x75mm to 100x100mm.



Five Monitor Stand
(Freestanding)



E5-F

Designs to support triple screens from one pole.

Freestanding with heavy metal base Adjustable height. Tidies and Manages Cables. The height adjustment of arms is continuous along the pole and adjust using the Allen wrench provided. Each mount can be tilted left, right, up & down. You can also rotate each monitor from portrait to landscape on the fly. 15° Screen Tilt. To fit screen sizes : 13" to 27" (33-69cm). Maximum monitor weight : 8kg (17lbs). VESA compatibility : 75x75mm to 100x100mm.



Five Monitor Stand
(Freestanding with Premium Base)



E5-FP

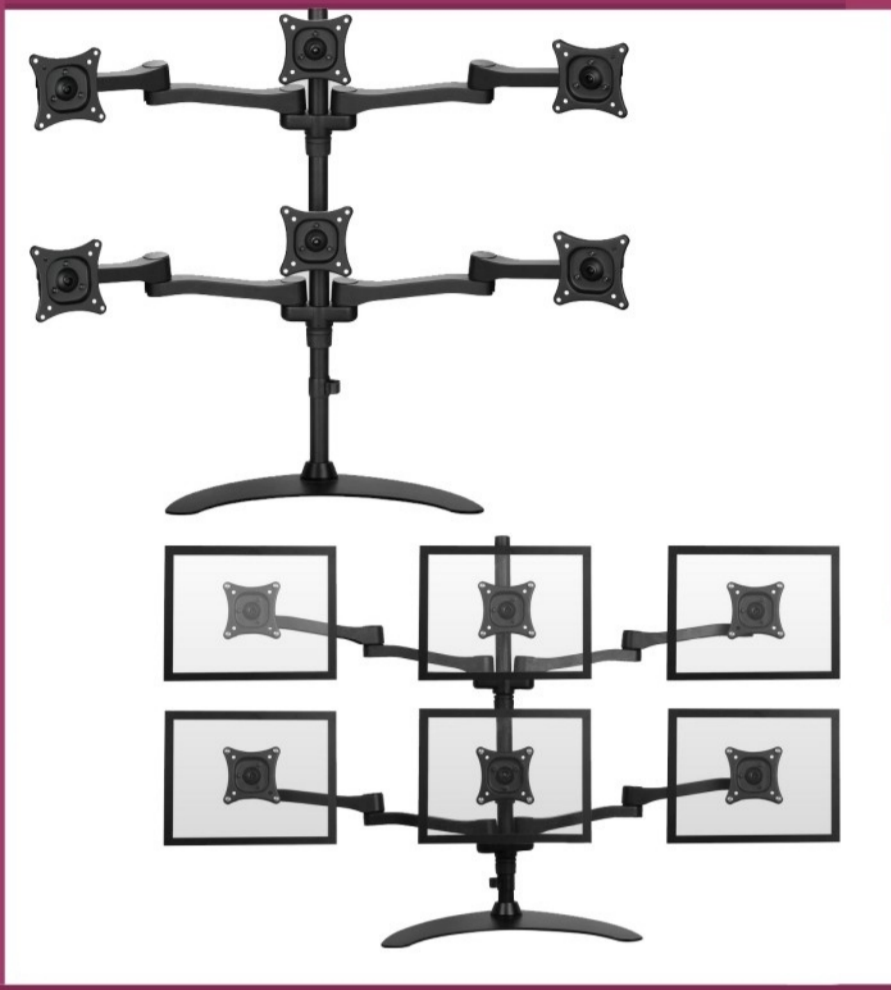
Designs to support triple screens from one pole.

Freestanding with heavy metal base Adjustable height. Tidies and Manages Cables. The height adjustment of arms is continuous along the pole and adjust using the Allen wrench provided. Each mount can be tilted left, right, up & down. You can also rotate each monitor from portrait to landscape on the fly. 15° Screen Tilt. To fit screen sizes : 13" to 27" (33-69cm). Maximum monitor weight : 8kg (17lbs). VESA compatibility : 75x75mm to 100x100mm.





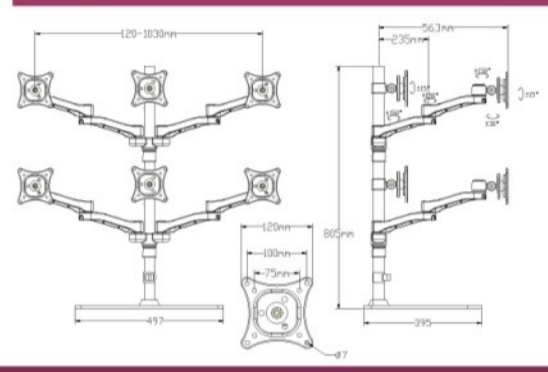
Six Monitor Stand
(Freestanding)



E6-F

Designs to support triple screens from one pole.

- Freestanding with heavy metal base
- Adjustable height.
- Tidies and Manages Cables.
- The height adjustment of arms is continuous along the pole and adjust using the Allen wrench provided.
- Each mount can be tilted left, right, up & down . You can also rotate each monitor from portrait to landscape on the fly.
- 15° Screen Tilt.
- To fit screen sizes : 13" to 22" (33-69cm).
- Maximum monitor weight : 8kg (17lbs).
- VESA compatibility : 75x75mm to 100x100mm.



Six Monitor Stand
(Freestanding with wider arm)



E6-FW

Designs to support six screens from one pole.

- Freestanding with heavy metal base
- Adjustable height.
- Tidies and Manages Cables.
- The height adjustment of arms is continuous along the pole and adjust using the Allen wrench provided.
- Each mount can be tilted left, right, up & down . You can also rotate each monitor from portrait to landscape on the fly.
- 15° Screen Tilt.
- To fit screen sizes : 13" to 27" (33-69cm).
- Maximum monitor weight : 8kg (17lbs).
- VESA compatibility : 75x75mm to 100x100mm.
- Foldable arms enable rotation of corner monitor inwards to form a concave shape with 3 monitors for viewing comfort.

RIFE TECHNOLOGIES

Delhi Office:
362, Vardhman Plaza - II, J-Block, Community Centre, Rajouri Garden, New Delhi -110027

☎ (011) 2516-7799, 2592-5555
✉ sales@rifeindia.com
🌐 www.rifeindia.com

HongKong Office:
Ergonomic Corporation (Hong Kong) Limited. 2nd floor Eton tower 8, Hysen Avenue Causeway, Hongkong.

☎ 852 - 61819896
✉ rishi@ergohongkong.com, ergohongkong@gmail.com
🌐 www.ergohongkong.com