



Ergonomic Design Mobile Medical Solutions



Intelligent Mobile Medical Specialist



Gallardo type medication cart accords with principles of ergonomics,improving health-care information technology, making computing comfortable, place IT equipment on the cart according to actual requirement, move the cart freely, find out patient information at any time, work efficiently.

Cart is made of alloy, quality plastic and galvanized steel to satisfy hospital's requirement of environment cleanness. All materials conform to RoHS and REACH and packing conform to EU 94/62/EC packaging standard. Gallardo cart use patent technology of concealed cable system and constant double rail adjustment of height. We can provide customized non-standard products according to customer's requirements.

Integrated Mobile Medical Solutions

By virtue of 10 years practical experience, Jegna medical cart combines with EMR, healthcare, telemedicine, information sharing, mobile work functions, which provides full intelligent mobile medical solutions for hospital, rehabilitation centre and health club.

Jegna intelligent medical carts is installed with silent medical casters, sliding tray for printer, projector and other small device, sliding keyboard tray with left/right sliding mouse tray for convenient data input. Optional lockable medicine lattice drawer is modular structure, and the precision sliding rail is light and firm.



PRODUCT APPLICATION



2-Ultrasound Imaging Workstation

3-Operation Workstation



4-Lab/Information Workstation

6-Sickroom/Nursing workstation



1-X-ray Workstation



Ergonomic Design

Move quietly and freely with four medical casters,hold printer and projector conveniently by concealed tray,keyboard tray with left/right mouse tray and mouse holder make computing comfortable,optional medicine storage drawer use modular design.

Height -Adjustable

Easily to adjust height through switch which under armrest for a comfortable position in this ergonomic workstation,440mm of height adjustment can satisfy different height required, work sitting or standing. Has very good compatibility.

Safe and Intelligent Power System

Use sealed Lithium battery with safe and intelligent charging system, supply 220V or 110V efficient power output,LCD screen on the worksurface supply a quick view function for battery information and high brilliance LED lamp tube make the keyboard operation clearly.

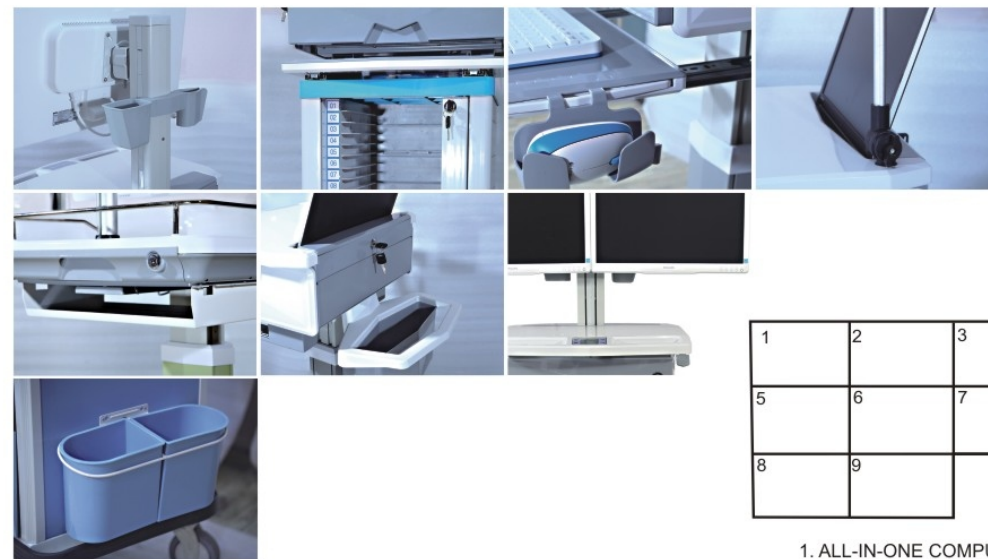
Move Silently and Fast

Silence medical casters make the cart move freely on the carpet or on the hard floor.It can be moved reliably by very small force. 2 pieces of castors with brake function can stop it stably.

Height -Adjustable

Concealed tray hold the printer and projector conveniently There is extension for accessories and additional equipment on the pivot grooves. Optional medicine storage drawer use modular design,sophisticated track is dexterous and safety. Laptop tray use drawing design,with lock and anti-slide sticker.

Compatible with laptops for the size below 17".



1	2	3	4
5	6	7	
8	9		

1. ALL-IN-ONE COMPUTER CART
2. DOSSIER ALL-IN-ONE PC CART
3. HD IMAGING WORKSTATION
4. ECG CART
5. NURSE/TREATMENT CART
6. LAPTOP CART
7. TELEMEDICINE SYSTEM CART
8. MEDICATION CART
9. LCD & LAPTOP LIFT STAND

Intelligent Mobile Medication Cart
GALLARDO

A- All in One Mobile Cart

B- Laptop Mobile Cart

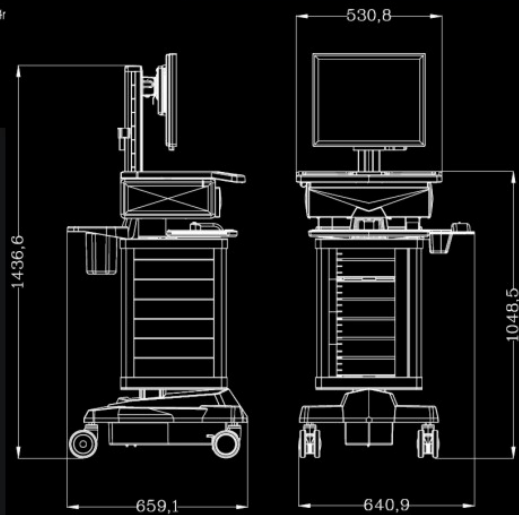
C- Function Cart

D- Nurse/Treatment Cart



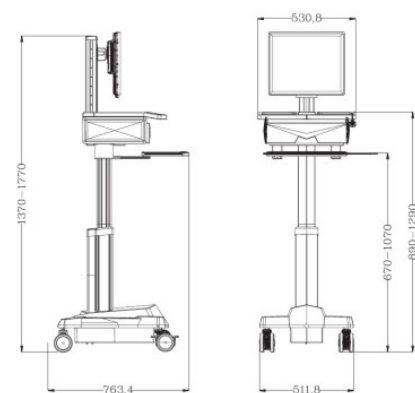
Dossier All-in-One PC Cart

- Battery and UPS system inside the base. White LEDs provide light over keyboard tray for ≤ 22 inch All-in-One PC
- 20 tiers inside dossier. Tier height: 20mm, width: 240mm
- Height from countertop to floor: 1048.5mm
- Large, smooth ABS worksurface dimensions: 533mm(L) x 455mm(W)
- Ergonomic back-tilt keyboard tray with left or right mouse tray, height: 828.4r
- Keyboard tray dimensions: 440mm(L) x 256mm(W)
- Mouse tray dimension: 208mm(L) x 200mm(W)
- Back storage bin with handle, handle height: 830mm
- Cart dimensions: 659.1mm(L) x 640.9mm(W) x 1436.6mm (H)
- Front-locking silent casters



ALL-in-One Computer Cart

- 400mm, 890mm-1290mm
- ABSI: 533mm(L) x 455mm(W)
- 379mm(L) x 298.5mm(W) x 84mm(H)
- 440mm(L) x 256mm(W)
- 208mm(L) x 200mm(W)
- 386mm(L) x 80mm(W) x 64.5mm(H)
- 130mm, 20°
- Pa6, ABSI
- UPS



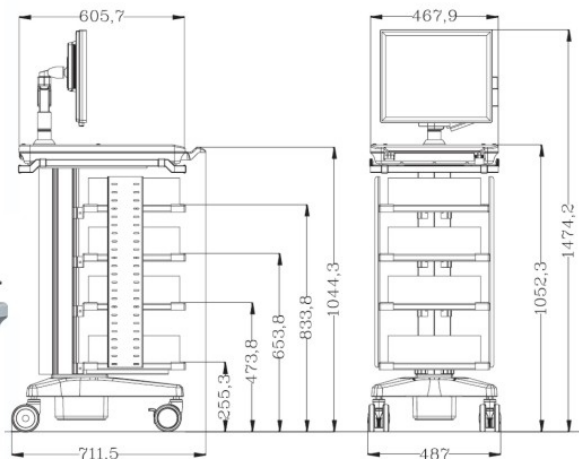
- Height adjustment range for LCD and worksurface: 400mm
- Worksurface height: 890mm-1290mm
- Large, smooth ABS worksurface dimensions: 533mm(L) x 455mm(W)
- Drawer inner dimensions: 379mm(L) x 298.5mm(W) x 84mm(H)
- Keyboard tray dimensions: 440mm(L) x 256mm(W)
- Mouse tray dimension: 208mm(L) x 200mm(W)
- Storage Bin with handle
- LCD column dimensions: 386mm(L) x 80mm(W) x 64.5mm(H)
- Height adjustable with the help of internal lift construction
- LCD hanger height adjustment for LCD pivot is 13cm; 20° tilting for LCD; Applied for ≤ 22 inch LCD display
- Base: PA6 + ABS cover
- Battery and UPS system inside the base. White LEDs provide light over keyboard tray
- Front-locking silent casters



Endoscopic System Cart A

- 711.5mm(L) x 487mm(W) x 1474.2(H)
- 1052.3mm
- 605.7mm(L) x 467.9mm(W)
- 1044.3mm

- Place endoscopic system device for mobile diagnosis and treatment
- Cart dimensions: 711.5mm(L) x 487mm(W) x 1474.2(H)
- Worksurface height: 1052.3mm
- Worksurface dimensions: 605.7mm(L) x 467.9mm(W)
- Handle height: 1044.3mm
- Universal direction rocker arm for display
- Applied for ≤ 22 inch display



Endoscopic System Cart B

- 360°
- 700mm(L) x 630mm(W) x 1650mm(H)
- 1125mm
- 527(L)mm x 420mm(W)

- Convenient for endoscopic system device
- Layers and layer height adjustable
- Cart dimensions: 700mm(L) x 630mm(W) x 1650(H)
- Worksurface height: 1125mm
- Worksurface dimensions: 527mm(L) x 420mm(W)
- Rocker arm for display,height-adjustable,360°rotation for LCD



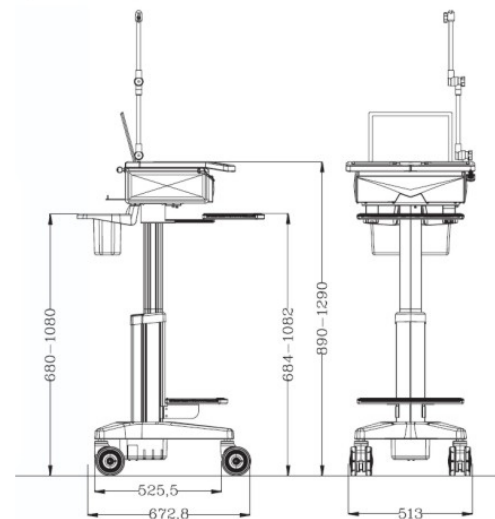
Small Medical Equipment Cart

- Applied for different small equipment
- Equipment tray dimensions: 310mm(L) x 235mm(W)
- Pipe/Wire holder arm available
- Equipment tray height: 1012mm
- Mesh basket dimensions: 400mm(L) x 220mm(W) x 100mm(H)
- Storage bin with handle, handle height: 929.2mm
- Cart dimensions (not include equipment): 565.1mm(L) x 461.8mm(W) x 929.2mm(H)



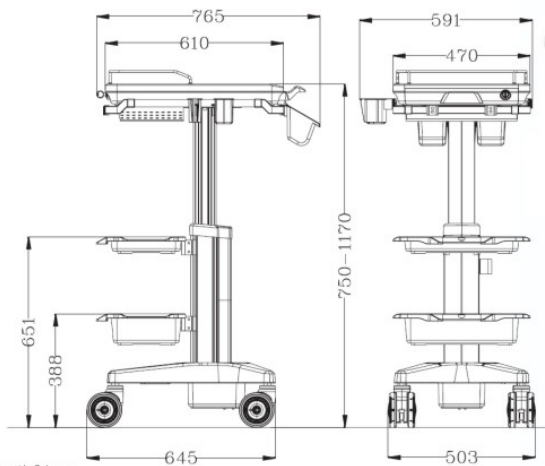
ECG Laptop Cart

- It is for mini ECG device with wire sections arm.
- Height adjustment range: 400mm. Worksurface height: 890mm-1290mm
- Back cover clamshell design, use for adapter
- Large, smooth ABS worksurface dimensions: 533mm(L) x 455mm (W)
- Sliding keyboard/mouse tray height: 684mm-1084mm
- Keyboard tray dimensions: 440mm(L) x 256mm(W)
- Mouse tray dimension: 208mm(L) x 200mm(W)
- Storage bin with handle
- Wheel-to-Wheel Base Dimensions: 513mm x 672.8mm



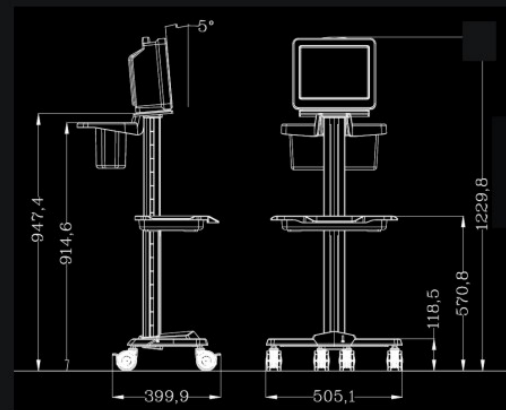
Nurse Treatment Cart

- Height adjustment range for worksurface: 400mm
- Worksurface height: 750-1170mm (± 20 mm)
- Worksurface dimensions: 610mm(L) x 470mm(W)
- There is a small laptop ($\leq 14"$) cabinet which is lockable with 2 keys
- 2 big storage trays with different depth. Dimensions: 469.5mm(L) x 306mm(W)
- Fence with hangers (include 3 small pockets, a scanner gun holder, a gel cup)
- Base: PA6 + ABS cover



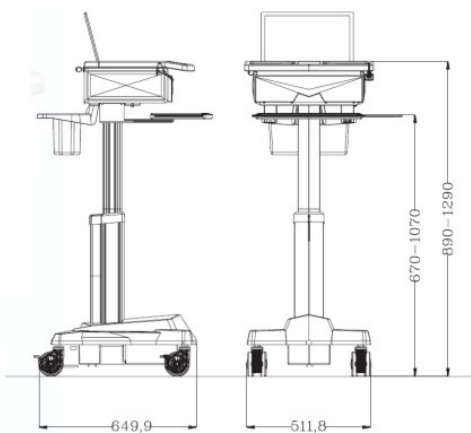
Patient Monitor Cart

- Concise and compact for 13" patient monitor
- Overall height of cart: 947.4mm
- Handle height: 914.6mm
- 4PCS of 75mm silent casters
- ABS tray dimensions: 388mm(L) x 238mm(W) x 50mm(H)
- ABS tray height: 570.8mm
- Cart dimensions: 399.9mm(L) x 505.1mm(W) x 947.4mm(H)



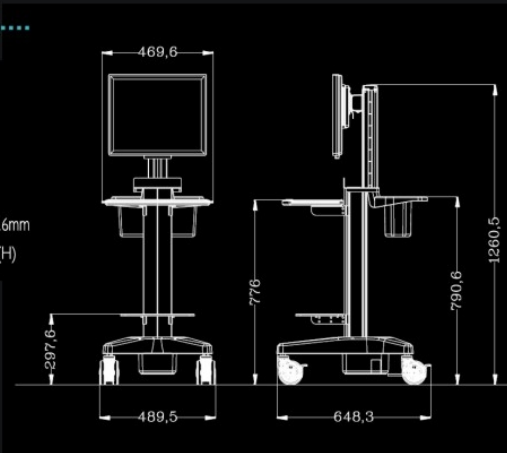
Laptop Cart

- Height adjustment range for worksurface: 400mm
Worksurface height 890mm-1290mm
- Large, smooth ABS worksurface dimensions: 533mm(L) x 455mm (W)
- Laptop cabinet dimensions: 430mm(L) x 346mm(W) x 56.5mm(H)
- With external 2-Outlet power strip and main power cable at the cart base.
- Applied for laptop(≤15")
- Internal dimensions for drawer: 379mm(L) x 298.5mm(W) x 84mm(H)
- Keyboard tray dimensions: 440mm(L) x 256mm(W)
- Mouse tray dimension: 208mm(L) x 200mm(W)
- Base: PP6 + ABS cover



Simple All-in-One Computer Cart

- Condise and compact for 22" All-in-One computer
- Keyboard/mouse tray height: 776mm
- Keyboard tray dimensions: 440mm(L) x 256mm(W)
- Mouse tray dimension: 208mm(L) x 200mm(W)
- Back storage bin with handle, handle height: 790.6mm
- Printer tray dimensions: 310mm(L) x 199mm(W), height 297.6mm
- Cart dimensions: 648.3mm(L) x 489.5mm(W) x 1260.5mm(H)



Medication Cart



- Six spacious drawers with different size of lattices for different medicine.
- Drawers by interlocking system.
- Worksurface height: 1020mm
- 10mm thickness tempered glass worksurface, easy-to-clean, dimensions: 500mm(L) x 500mm(W)
- Foldable worksurface dimensions: 470mm(L) x 290mm(W)
- Laptop rocker arm and scanner gun hanger
- 2 Dustbins
- Cart dimensions: 700mm(L) x 950mm(L2) x 600mm(W) x 1020mm(H)
(not include rocker arm height)

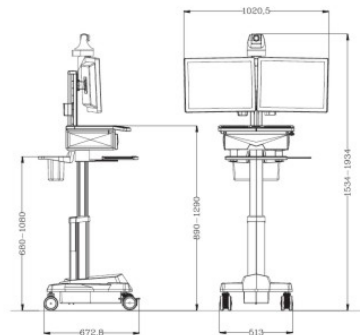


Telemedicine System Cart

- 400mm, 1534mm-1934mm
- 360
- 890mm - 1290mm
- ABSI, 533mm(L) x 455mm(W)
- 440mm(L) x 256mm(W)
- 208mm(L) x 2000mm
- 680mm - 1080mm

- CPU : Intel Xeon E3 1230V2+ H61
- 4G/1333
- 610 1G
- WD 500G/SATA
- UPS

- Height adjustment range for LCD and worksurface: 400mm
Total height is 1534mm-1934mm.
- Applied for 2 \leq 21" LCD
- HD 360 degree rotating webcam with remote controller
- Worksurface height: 890-1290mm
- ABS worksurface dimensions: 533mm(L) x 455mm(W)
- Keyboard tray dimensions: 440mm(L) x 256mm(W)
- Mouse tray dimension: 208mm(L) x 200mm(W)
- Back storage bin with handle, handle height: 680mm-1080mm

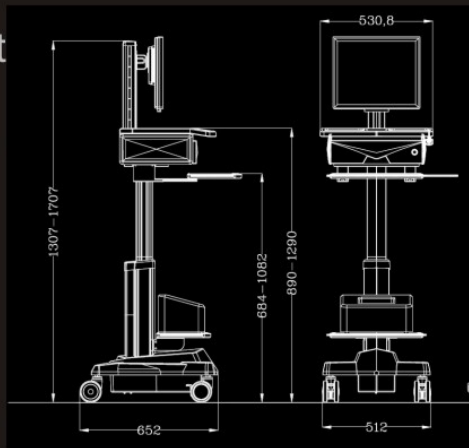


- Built-in computer host specification:
CPU: Intel Xeon E3 1230V2+
Mother board: Asus H61
Memory: 4G/1333
Graphics card: JW-610 1GB
HD: WD 500G/SATA
Video Capture Card

HD Video Workstation Cart

- Height adjustment range for LCD and worksurface: 400mm
- Worksurface height: 890mm-1290mm
- ABS worksurface dimensions: 533mm(L) x 455mm(W)
- Keyboard tray dimensions: 440mm(L) x 256mm(W)
- Mouse tray dimension: 208mm(L) x 200mm(W)
- LCD column dimensions: 386mm(L) x 80mm(W) x 64.5mm(H)
- Height adjustable with the help of Internal lift construction.
- LCD hanger height adjustment for LCD pivot is 13cm; 20° tilting for LCD for ergonomic comfort
- Base: PA6 + ABS cover
- Optional: Battery and UPS System

- Built-in computer host specification:
CPU: Intel Xeon E3 1230V2+
Mother board: Asus H61
Memory: 4G/1333
Graphics card: JW-610 1GB
HD: WD 500G/SATA
Video Capture Card





**Technology is Everywhere To
Create Value**

Rife Technologies



Visiting Address: 362, Vardhman Plaza –2, J Block Community Center Rajouri Garden , New Delhi-110027

Mobile .: +91-9899250704

Phone .: 2516-7799 , 2592-5555,

Email id .: sales@rifeindia.com