

Information
Technology

FURNITURE



RIFE TECHNOLOGIES

MOBILE DATA ACCESS



Providing data
where and whenever it's needed



Computer Carts



Laptop Carts

Mobile carts bring critical information to Point-of-Care locations throughout Healthcare facilities. Whether it involves admissions, pharmaceutical, radiological or telehealth video conferencing, daily patient care decisions must be accurately made and supported by the most current data available. AFC's array of durable mobile carts is designed to meet this growing need, while incorporating important ergonomic features that make them adaptable to any user.

Our height adjustable units are available with small footprints for easy maneuvering in tight places. Security features protect both sensitive patient information and computer equipment and our carts are built from materials for thorough disinfection. Long-lasting batteries (Hot Swappable/LiFe/SLA Power Supply) can be loaded so that carts can move from area to area, without being connected to electrical outlets, providing uninterrupted power to your workstation wherever, and whenever you need it.

Whatever your need is, AFC can build a mobile cart solution for you.

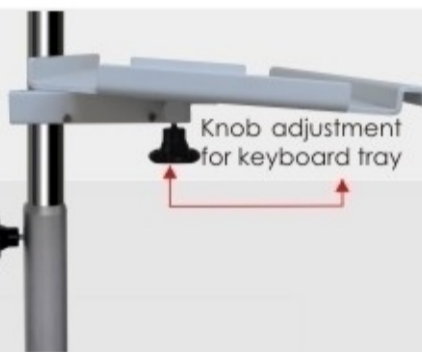
COMPUTER CARTS

MCT-03-a

- Telescopic Sit or Standing operation Height Adjustable.
- Sit or Standing Pole LCD computer cart.
- Easy height & rotation adjustment of Ample shelf (laptop, printer, work space).
- Sliding mouse tray, left & right.
- Innovative and adjustable Mobile Computer Trolley for doctors and nurses.
- Portable with castors and easy-to-maneuver healthcare.
- File Basket provided at back for patient files.
- Helps promote technology along with care in hospital.
- Heavy duty lockable castors provided.



Easy to Move on Imported high grade white medical castors



Knob adjustment for keyboard tray

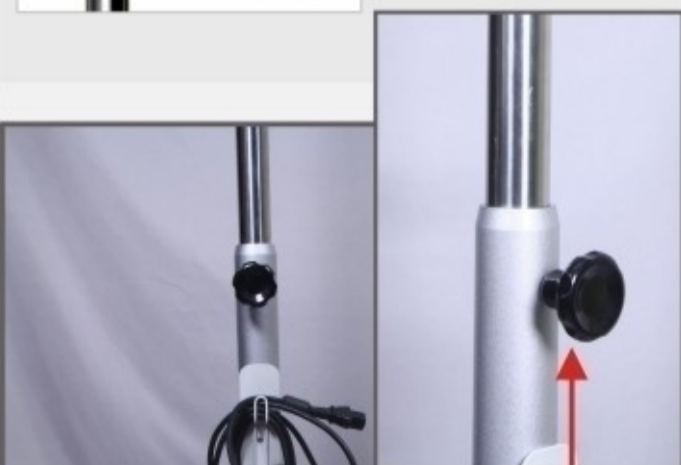


Easy to adjust angle & height level of mount

Tilt $\pm 15^\circ$



Swivel 180°



Knob adjustment for pole height level



Imported high end black castors



DUAL MONITOR MOBILE COMPUTER TROLLEY

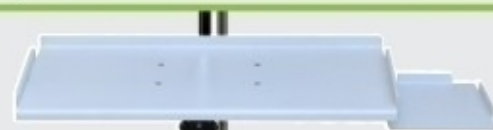


MCT-03-b



DUAL MONITOR ARM

- Cable management system.
- 75mm and 100mm VESA compatible
- Pivots 20° up / 10° down for each monitor.
- Holds monitors 17" to 24" up to 25 lbs.
- The space between the monitors & arm are fully adjustable.
- For height adjustment of arm, just slide the clamp along the pole and adjust using the Allen wrench provided.
- Each mount can be tilted left, right, up & down. You can also rotate each monitor from portrait to landscape on the fly.



KEYBOARD & MOUSE TRAY

- Adjustable keyboard plus mouse platform.

QUAD MONITOR MOBILE COMPUTER TROLLEY



MCT-03-c



TWO DUAL MONITOR ARM

- Cable management system.
- 75mm and 100mm VESA compatible
- Pivots 20° up / 10° down for each monitor.
- Holds monitors 17" to 24" up to 25 lbs each mount.
- The space between the monitors & arms are fully adjustable.
- For height adjustment of arms, just slide the clamp along the pole and adjust using the Allen wrench provided.
- Each mount can be tilted left, right, up & down. You can also rotate each monitor from portrait to landscape on the fly.

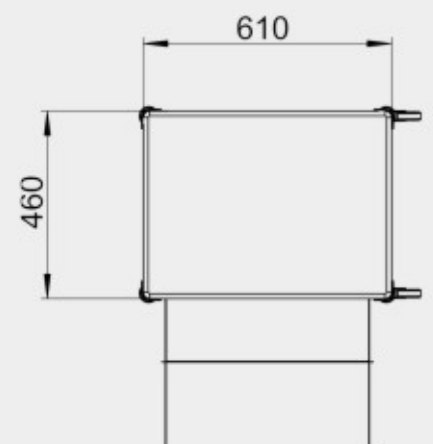
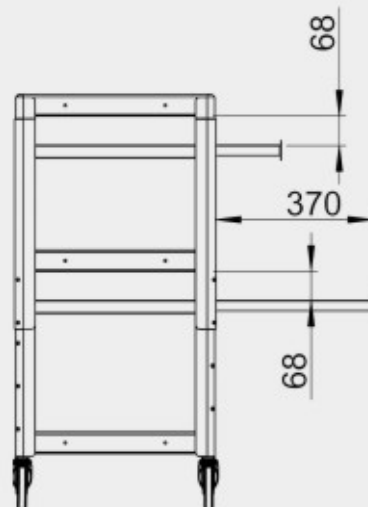
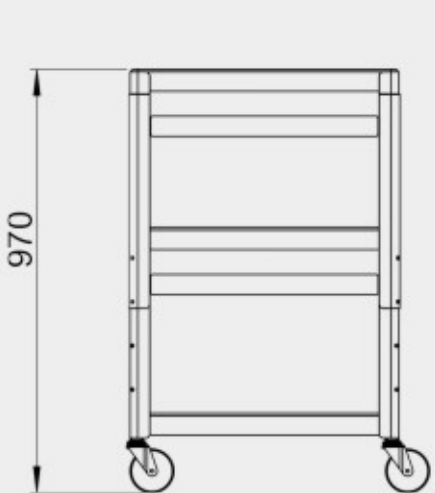


- Computer workstation / AV cart.
 - Dark Black Metal Construction desktop finish with black powder coat painted.
 - Rolls on 4" casters two with locking brakes.
- Cabinet also available.



Dark Black Metal Construction desktop finish with black powder coat painted.
 2 laptop shelf & 2 fix shelf
 Polyethylene shelves will not scratch, dent, rust or stain
 Built in cord wrap
 24"W x 18"D x 34"H
 400 lb. weight capacity
 Easy assembly
 Color: Black

C 54





- ? Monitor arm to hold upto 27 inch monitor or 8 kg weight
- ? Roll this mobile computer cart into position and start enjoying the benefits that an adjustable workstation offers.
- ? This mobile computer cart is the perfect choice for space confining situations. The small footprint enables this mobile cart to be used almost anywhere.



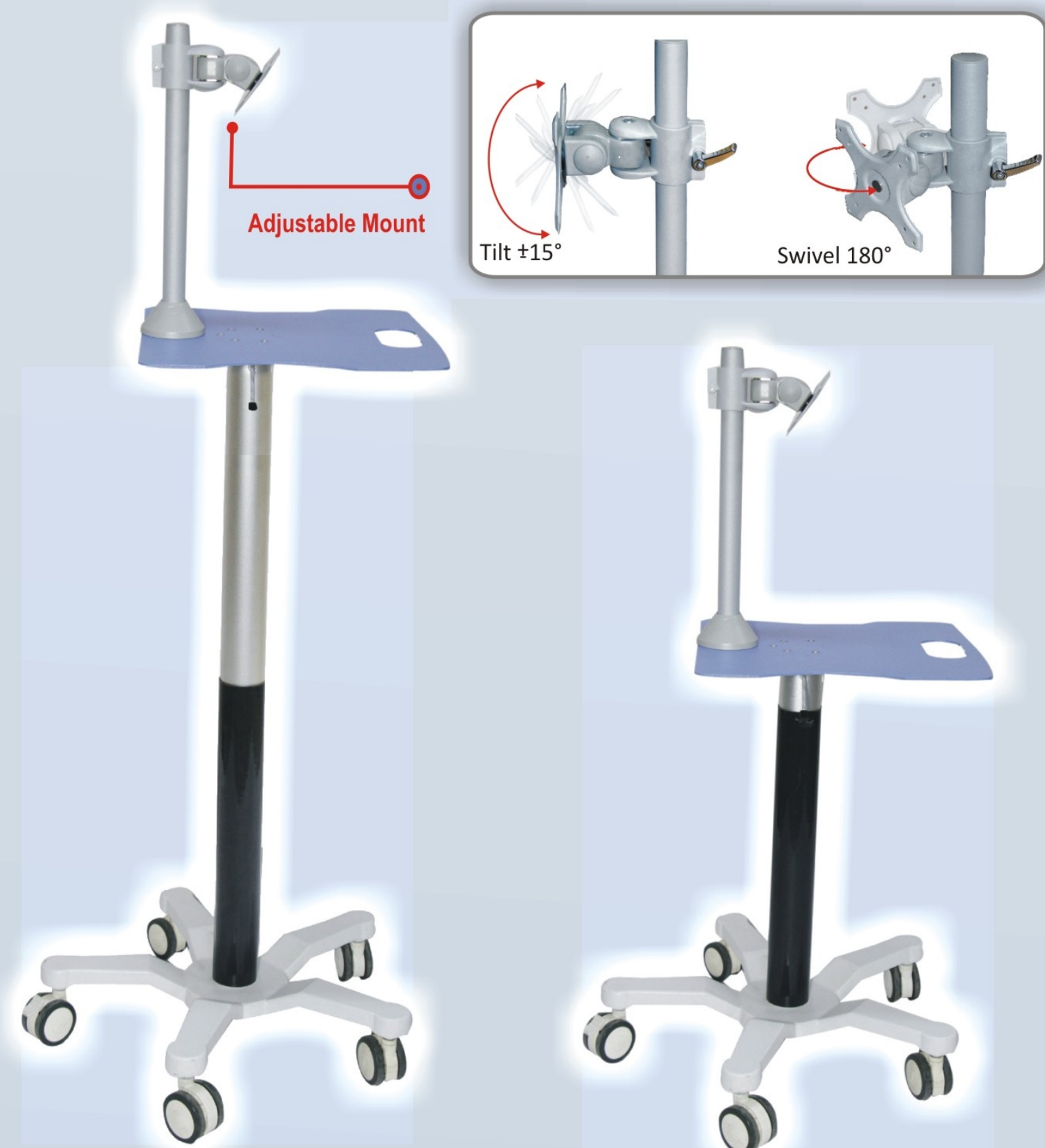
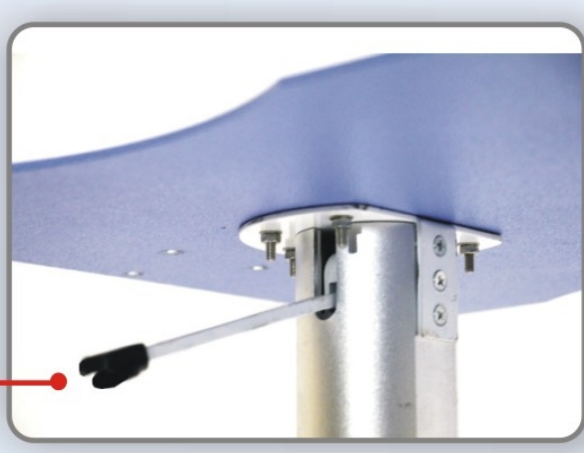
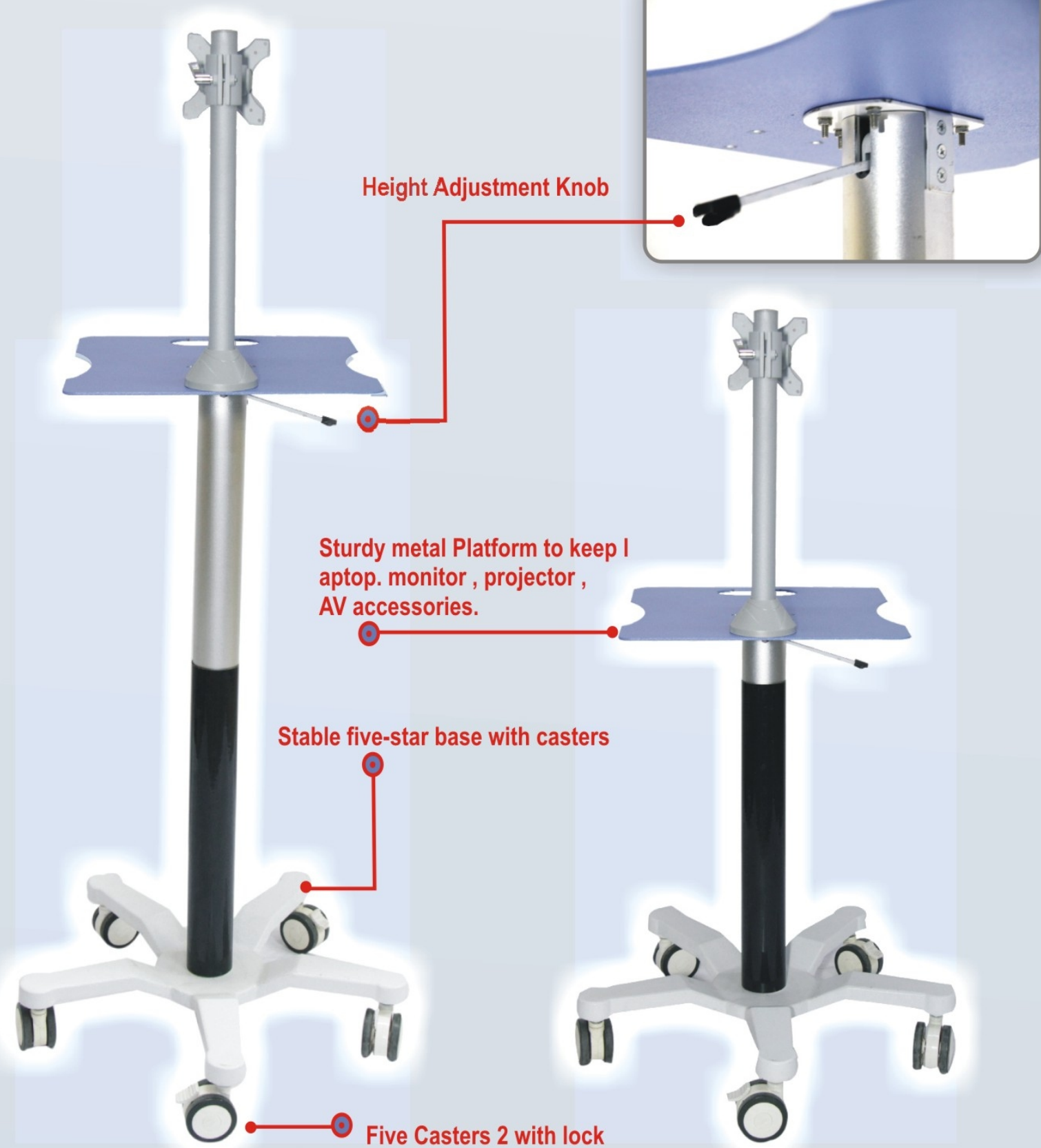
HHHHH HEIGHT ADJUSTABLE EEEEE

Adjustable Cart Height : 57.0-110.0cm.



Easily adjust height for sitting or standing by Gas spring

Our mobile workstations are compact, sturdy, lightweight and affordable. This is a cost effective sit / stand mobile workstation. It is ideal for schools, medical offices, libraries, , surgical centers, office and home.

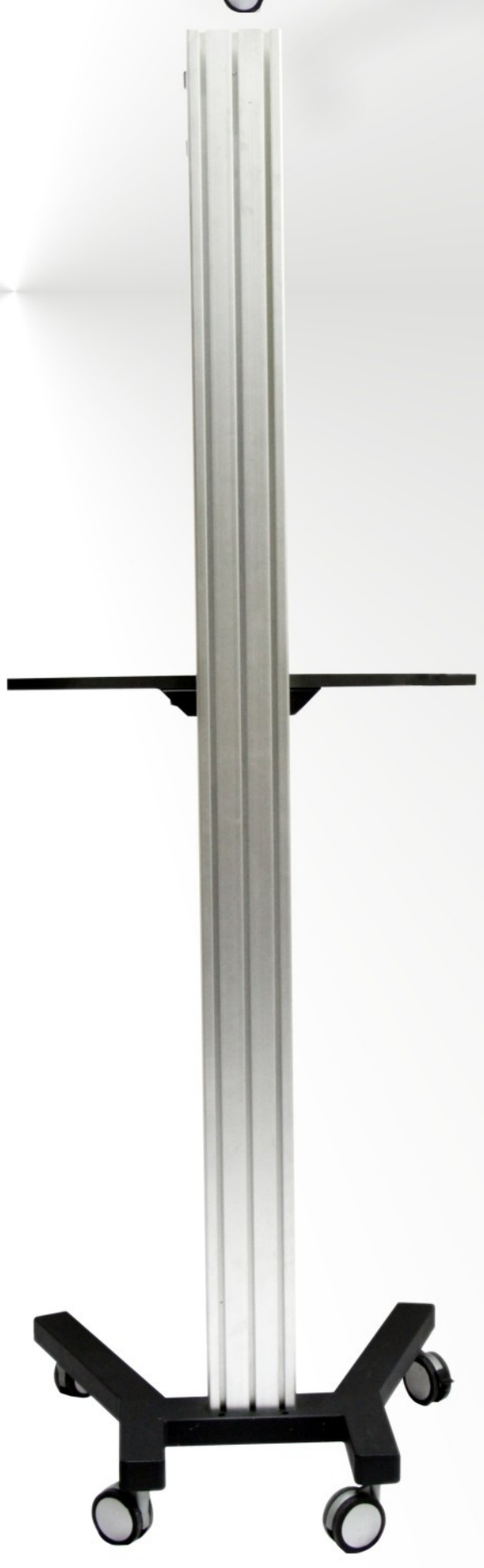




Standing & Sitting Position

Reap the ergonomic health benefits of this stand up workstation which is mobile also due to high quality lockable wheels . The height adjustable mount allows the monitor to be perfectly positioned to your liking while sitting or standing. MCT-08 workstation includes a sliding keyboard shelf and optional CPU holder, Printer shelf, Basket, Electrical socket . Designed with 4 casters, 2 of which are lockable, this cart can be to be stationed in one area or wheeled wherever necessary without difficulty. In addition to being height adjustable, the mount tilts and rotates with ease to be viewed in either portrait or landscape orientation. Use this ergonomic cart in your office, school, or other professional setting as a workstation that is constructed to meet your needs.

- Features:**
 Wheels, Tilting, Adjustable Height, Height Adjustable Shelves
 Base Width x Height x Depth : 24.3" x 5.3" x 22.0"
 Material : Steel, Aluminum
 VESA Size : 75x75, 100x100
 Pull-Out Shelf Width x Depth : 25.3" x 14.5"
 Monitor Size Range, (inches) : 17 to 27 inches
 Height from base to top of pillar is fix 1800 mm

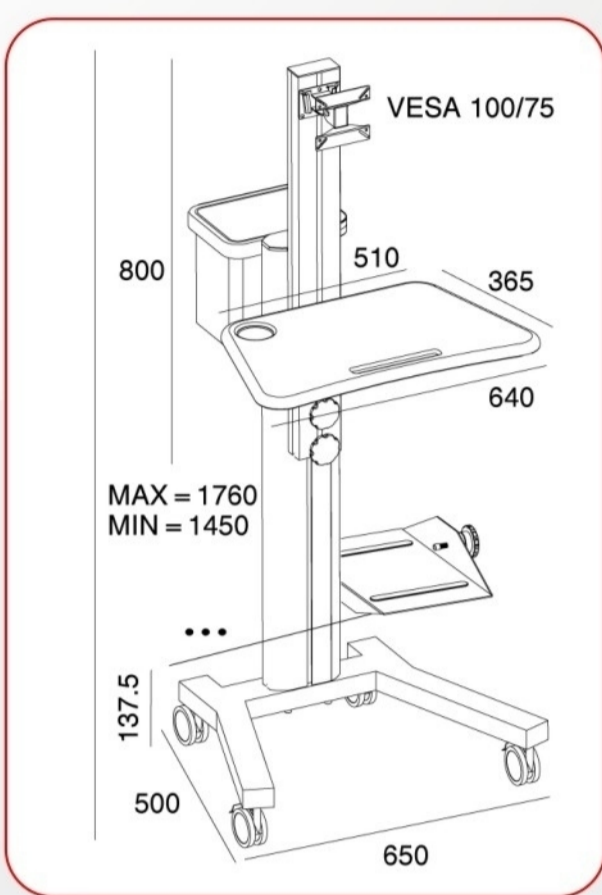




Product Size: 620(L)*500(W)*1450-1760(H)mm
 Color Silver
 Max Capacity 70kgs
 Material: Aluminium column .+Metal Base +MDF Shelf for keyboard and mouse
 Features: Cable Management
 Height adjustment for Sitting and Standing position
 Optional Parts: CPU holder
 Printer Shelf
 Basket
 Arms to add on to 2 monitor, 3 monitor , 4 monitor and 5 monitors.



4 Electric point on pole CPU holder Basket Handle



Standing height



Sitting height



Front View



Back View



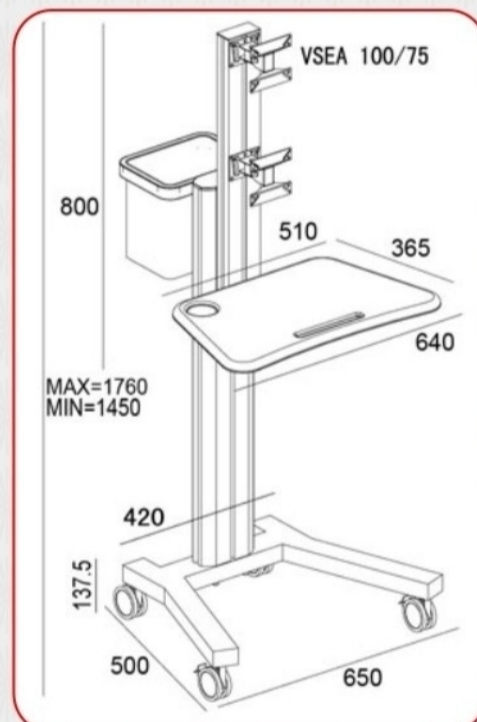
Side View

DUAL MONITOR MOBILE COMPUTER TROLLEY (VERTICAL)

MCT-09-a

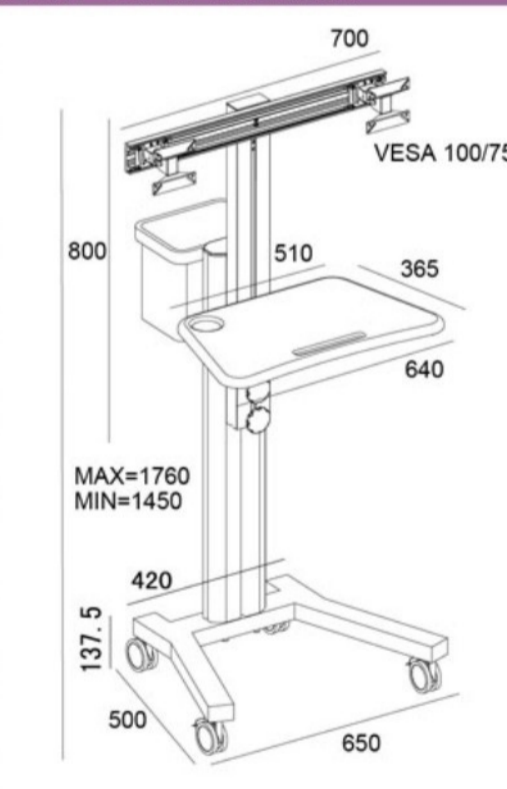


Product Size: 620(L) *500(W) *1450-1760 (H)mm
 Color Silver
 Max Capacity : 100kgs
 Material: Aluminium column . +Metal Base +MDF Shelf for keyboard and mouse
 Features: Cable Management
 Height adjustment for Sitting and Standing position
 Optional Parts: CPU holder, Printer Shelf, Basket



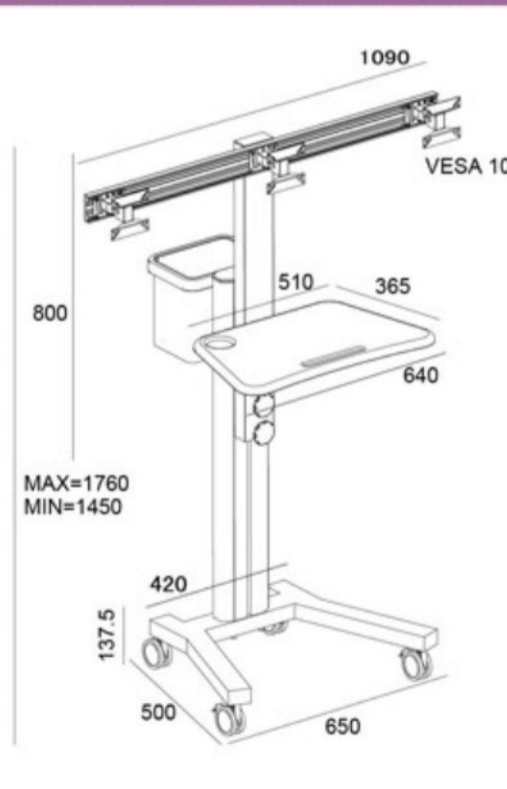
DUAL MONITOR MOBILE COMPUTER TROLLEY

MCT-09-b



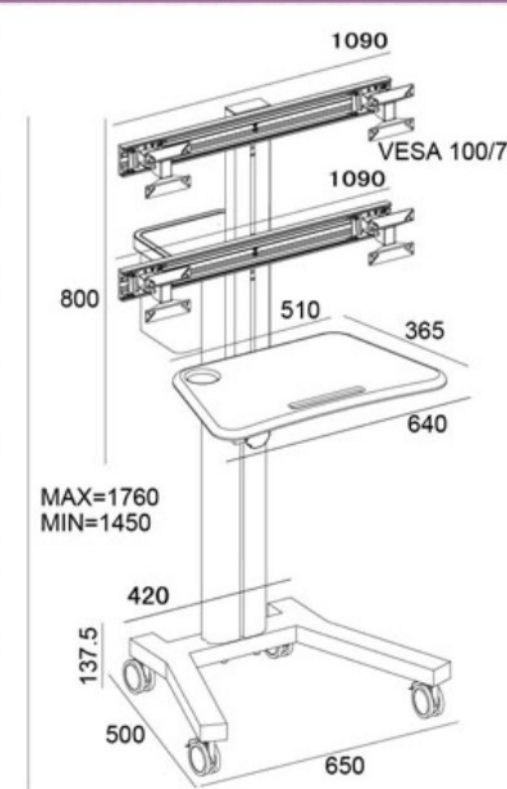
TRIPLE MONITOR MOBILE COMPUTER TROLLEY

MCT-09-c



FOUR MONITOR MOBILE COMPUTER TROLLEY

MCT-09-d

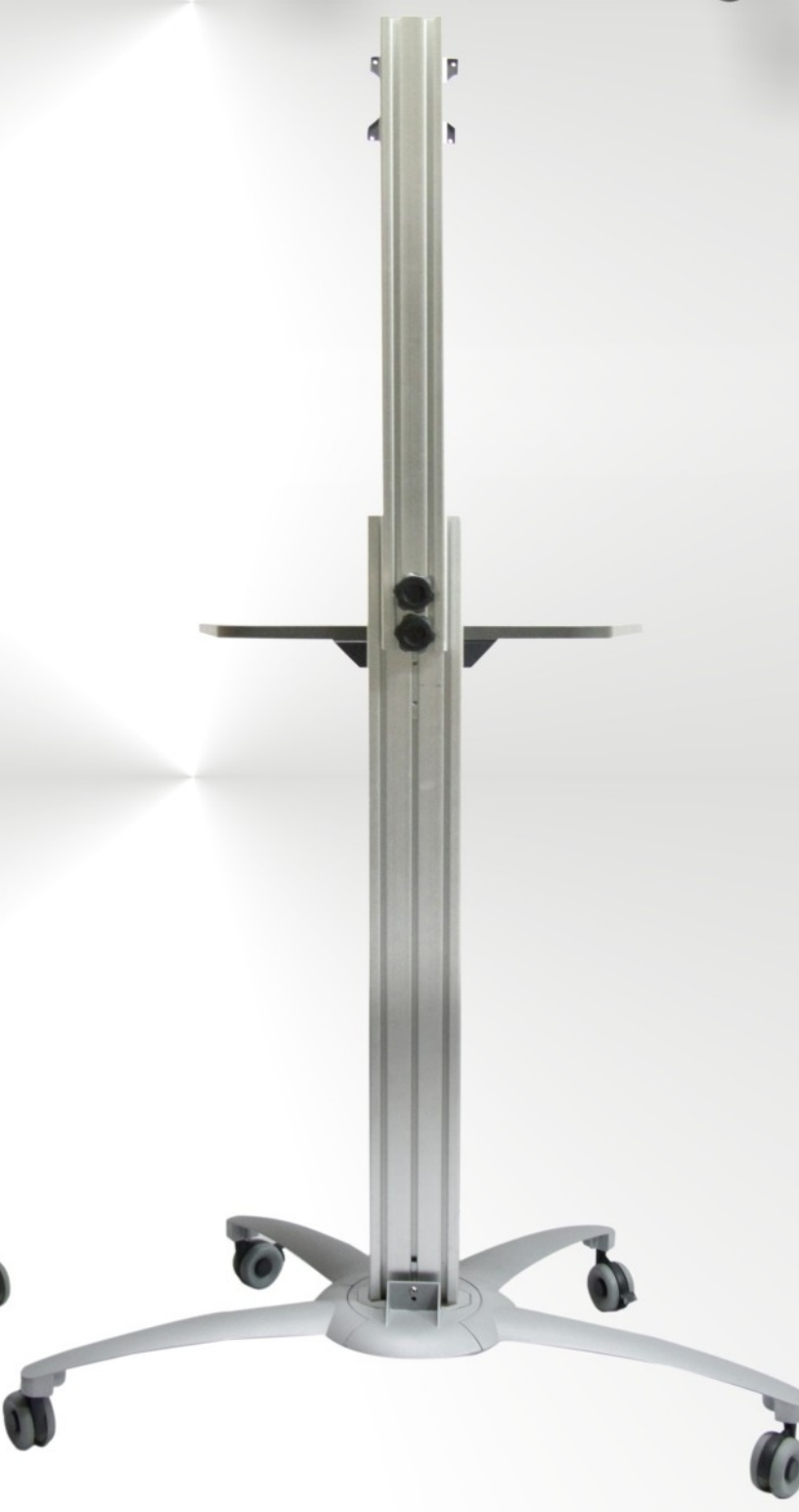
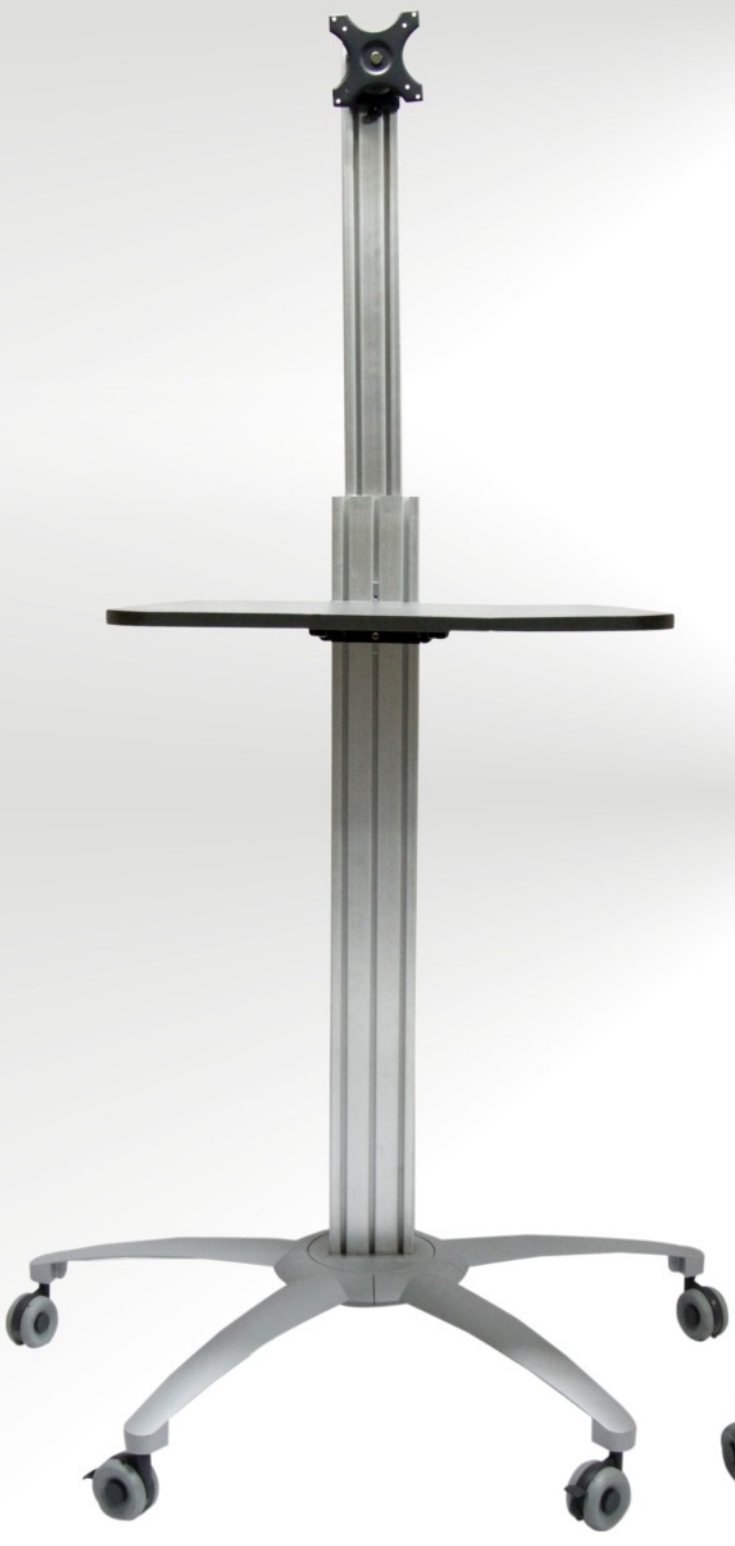




Standing & Sitting Position

Reap the ergonomic health benefits of this stand up workstation which is mobile also due to high quality lockable wheels . The height adjustable mount allows the monitor to be perfectly positioned to your liking while sitting or standing. MCT-10 workstation includes a sliding keyboard shelf and optional CPU holder, Printer shelf, Basket, Electrical socket . Designed with 4 casters, 2 of which are lockable, this cart can be to be stationed in one area or wheeled wherever necessary without difficulty. In addition to being height adjustable, the mount tilts and rotates with ease to be viewed in either portrait or landscape orientation. Use this ergonomic cart in your office, school, or other professional setting as a workstation that is constructed to meet your needs.

- Features:**
 Wheels, Tilting, Adjustable Height, Height Adjustable Shelves
 Base Width x Height x Depth : 24.3" x 5.3" x 22.0"
 Material : Steel, Aluminum
 VESA Size : 75x75, 100x100
 Pull-Out Shelf Width x Depth : 25.3" x 14.5"
 Monitor Size Range, (inches) : 17 to 27 inches
 Height from base to top of pillar is 1800 mm



MAIN FEATURES

- Sit or stand operation.
- All attachments are height adjustable and rotate 360 degrees.
- LCD monitor mount is VESA compliant and rotates (landscape or portrait), swivels and tilts.
- All attachments w/ torque adjustment.
- Height is easily adjusted via a handle.
- Tiltable Keyboard / Laptop shelf: fits most laptops, and includes fabric covered ergonomic gel wrist pad and slidable mouse tray.
- Large shelf for printer, laptop, other devices or for ample working area.
- Cable management clips.
- CPU holder with anti slip pads and adjustable CPU grip.
- Strong sturdy deep base.
- 4 casters, wheels.
- Black textured powder coated paint.
- Easy Assembly, in about 20 minutes.

LAPTOP & PROJECTOR CARTS

Height Adjustable

LPC04



Product Size: 650 (L)*500(W)*1070(H) mm

Color Silver

Max Capacity 40kgs

Material: Aluminium frame.+metal base +MDF shelf

Cable Management

Seating & standing position adjustment with socket outlet & storage box

Optional Parts: CPU holder, Printer Shelf, Basket

Comfortably work in Siting position.

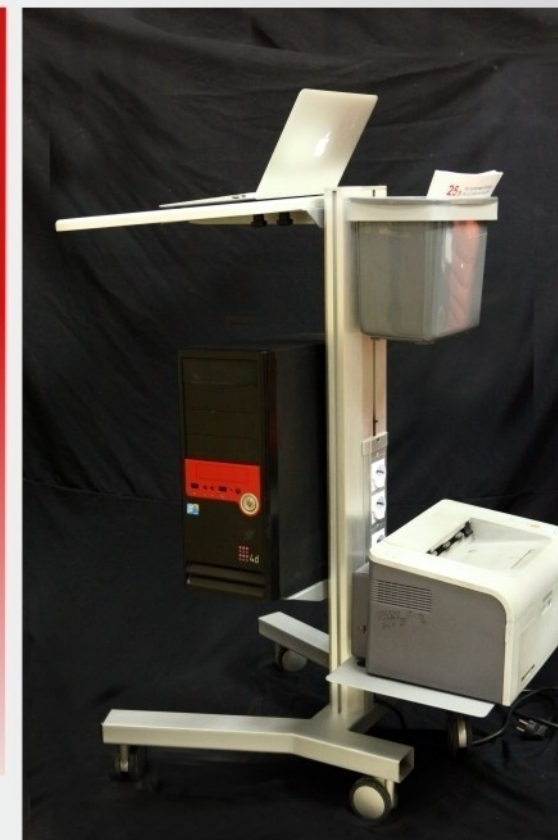
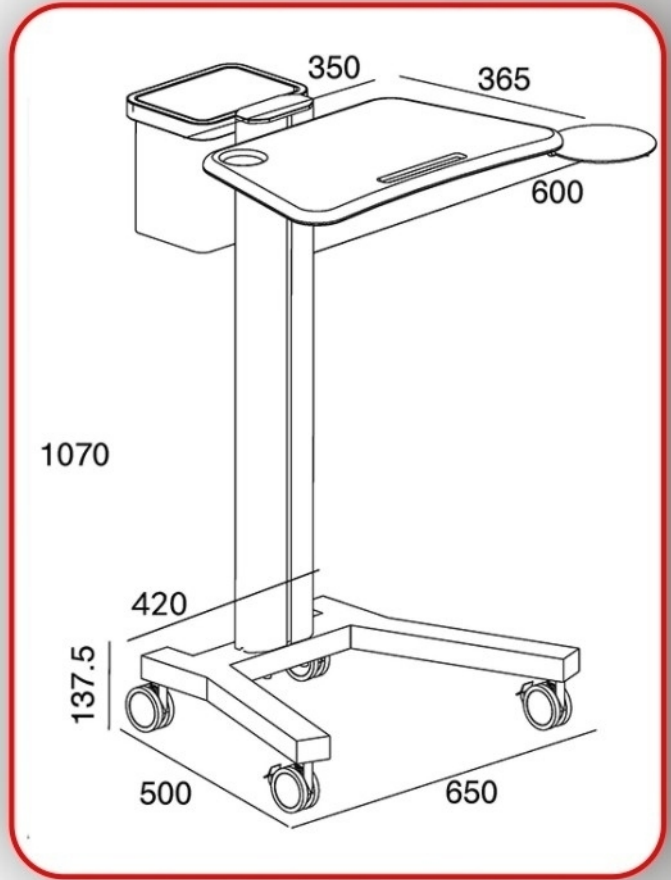
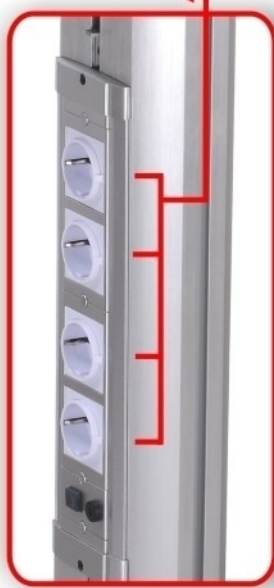


Comfortably work in Standing position.



4 socket outlet on pole

for high grade lockable castors





Easily adjust height for sitting or standing by Gas spring

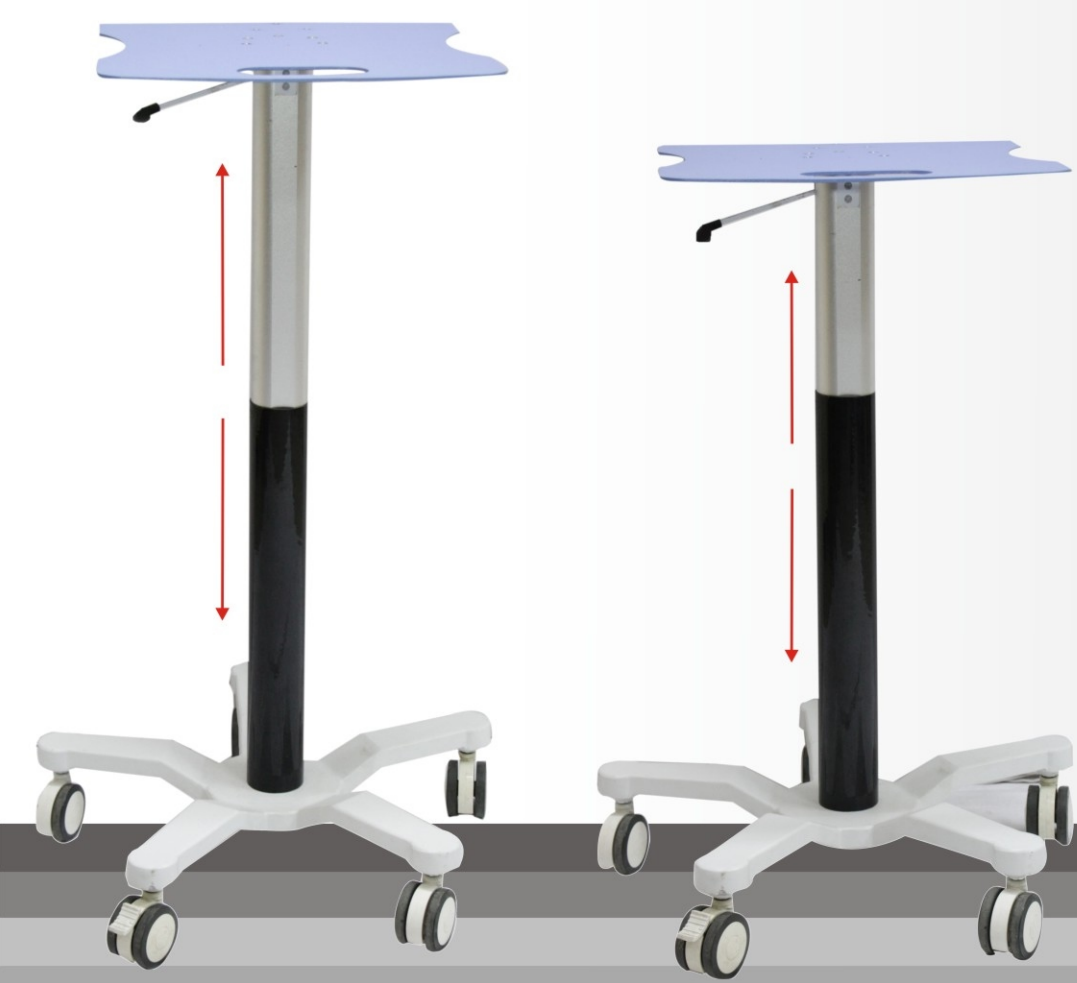
Stable five-star base with casters

Adjustable Cart Height: 57.0 to 110.0cm

Five casters , 2 with lock

Sturdy metal Platform to keep laptops, monitors, projectors, AV accessories

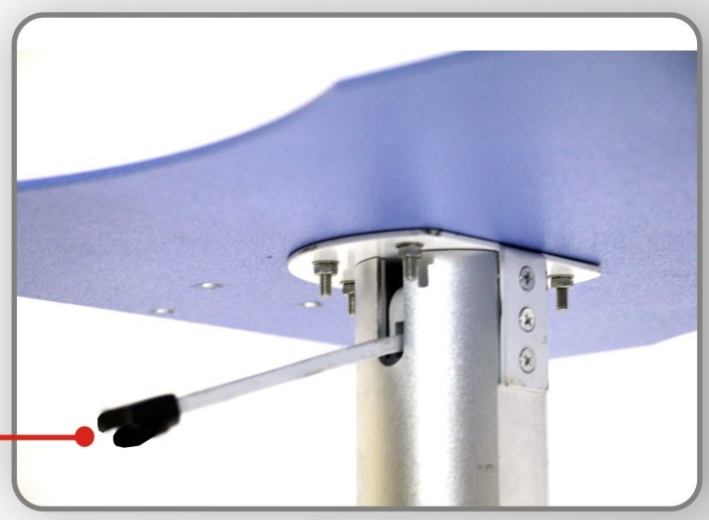
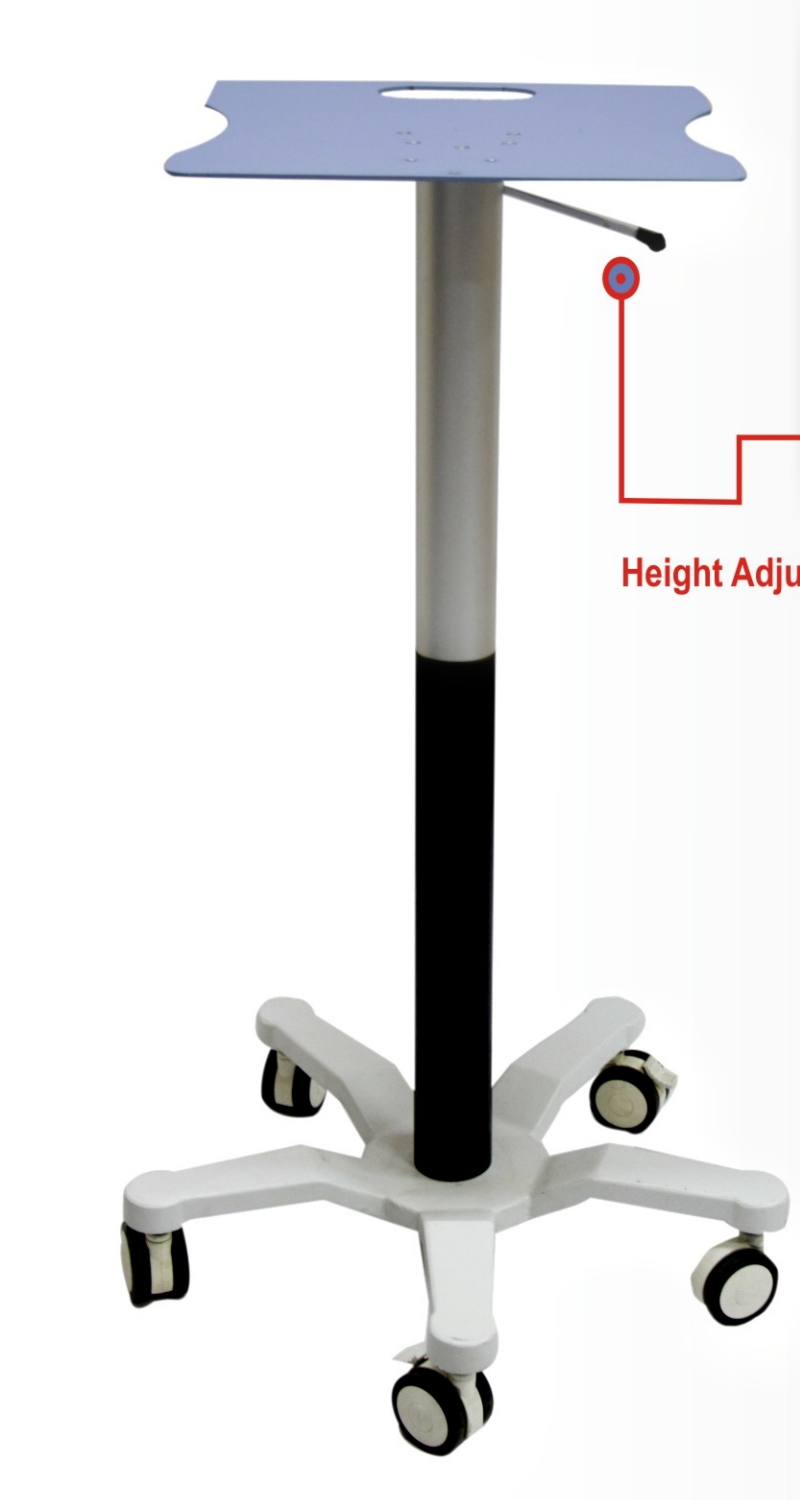
HHHHH HEIGHT ADJUSTABLE EEEEE



Our mobile workstations are compact, sturdy, lightweight and affordable This is a cost effective sit / stand mobile workstation. It is ideal for schools, medical offices, libraries, , surgical centers, office and home.



Sitting & Standing Position



Height Adjustment Knob





With this laptop mobile cart or Laptop cart or laptop table, you can enjoy the ideal solution for multitasking individuals. The need of your easy access of Laptop or Tablet over laptop cart will fulfilled by this cart that provide you mobile solutions with laptop mount and arm. Laptop mobile Cart or notebook computer cart will help to work in sit-stand position. Gas spring height adjustability by easy push of lever .

Height Adjustment Knob





- Telescopic Sit or Standing operation.
- Easy height & rotation adjustment.
- Ample shelf (laptop, printer, work space).
- Aluminium Finish.
- Easy to move on high grade casters.



Comfortably work in Siting position.



Comfortably work in Standing position.



- Laptop/ Projector cart with fixed pole height.
- Ample shelf (laptop, printer, work space).
- Easy to move on high grade casters.
- ABS Material.

LAPTOP-PROJECTOR TRIPOD STAND



Simple, easy to adjust, durable and stylish these projection or laptop carts are designed for the office and classroom.

Even heavy projectors are accommodated by this superior presentation carts.

Foldable and easy to carry in car and hands.

A contemporary finish adds a professional elegance to this design, making it a perfect fit for offices and classrooms. The flexible platform adjusts in height and additional shelf for mouse assure that you'll have the exact comfort you require. This sophisticated design will enhance your environment.

Enjoy watching movies, but always bothered projector placement in the home through the projector?
No need to worry, TRIPOD STAND is best solution for placement of projector and laptop.....

Load bearing	15 kg
Material	Iron + iron pipe
Platform width	17.5cm-40cm
Platform length	24.5 cm
Can put the projector platform	40cm X 25.5cm
Angle adjustment	+/- 30°
Height Adjustment	96cm-152cm
Item weight	6.5kg

Platform size is adjustable, can be used as speaker stands and other occasions



RIFE TECHNOLOGIES

Delhi Office:

362, Vardhman Plaza - II, J-Block, Community Centre, Rajouri Garden, New Delhi - 110027

☎ (011) 2516-7799, 2592-5555

✉ sales@rifeindia.com

🌐 www.rifeindia.com

HongKong Office:

Ergonomic Corporation (Hong Kong) Limited. 2nd floor Eton tower 8 , Hysen Avenue Causeway, Hongkong.

☎ 852 - 61819896

✉ rishi@ergohongkong.com , ergohongkong@gmail.com

🌐 www.ergohongkong.com