



Vast selection of TV carts to choose from

Use for Video conference or meetings general purpose at reception or conference room

Find one so specific to your needs, it feels custom-designed

All models feature stable bases for rock-solid support and smooth casters for easy mobility

Options of shelves for keeping laptops, CPUs, VC devices, Cameras

# ALUMINIUM FINISH VIDEO CONFERENCE CART

**H01**



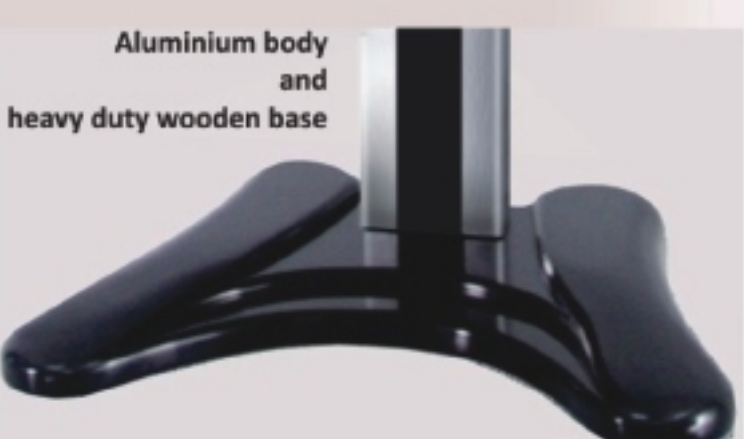
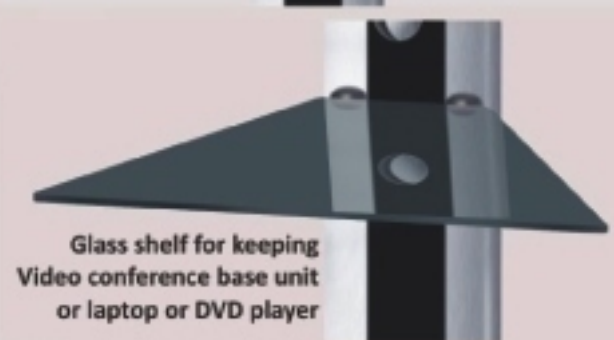
- Movable flat panel tv mount
- With a shelf for VC equipment
- Cable Management inside the pole
- VESA size : 480mm and 680mm
- Support screen upto 30" - 52"
- Product size : 800(W)x600(D)x1250(H)mm
- Support VC equipments up to 5kgs
- Heavy duty wooden base for better support
- Load Bearing : 23 kg
- Colour : Black base

A trendy living-room TV furniture, stylish design with exquisite technique.

Made up of aluminum alloy post, wooden base, tempered safety glass shelf.

Contemporary design with unique combo mechanism, perfect for your valued TV decor.

Hi-end material construction, robust while offering a distinctive look in your living-room.



# Economical Floor TV Trolley (for Home & Commercial Use)

**H04**



**Adjustable screen height**  
Adjustable screen height by shifting 2" incremental plunger holes from 40.5" to 60" along 2 poles for perfect viewing level.



**Standard video tray**  
The video tray is a standard attachment for AVA 1500-60-1P. This video tray enables to adjust height vertically freely within the slot for perfect video conference position.



**Adjustable AV shelf height**  
Adjustable plastic AV shelf holds AV components and accessories up to 10lbs (4.5 kg.)



**Integrated cable management system**  
Internal cable management allows cables and wires to be routed inside the column for clean, clutter-free look.



**Swivable caster brake wheels**  
Carts come with 2" swivable caster brake wheels provide you with easy maneuvers to any direction and position.

**High tensile full welded solid base construction provides stability and rigidity in used!**



**Double Post design**  
Two SPCC seamless pipes design provides stable and rigid support for TV panel.

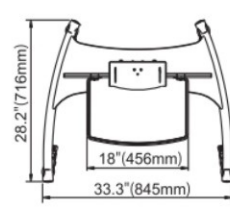
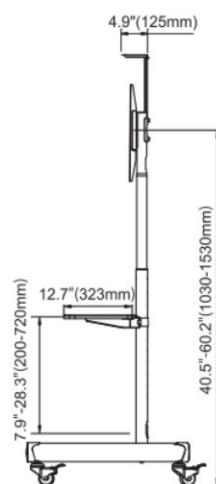
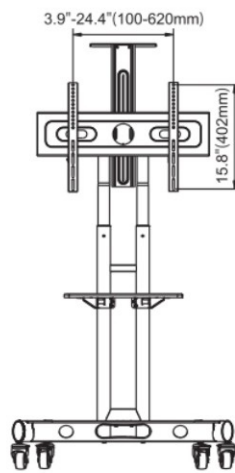
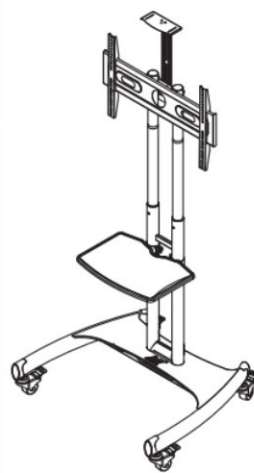
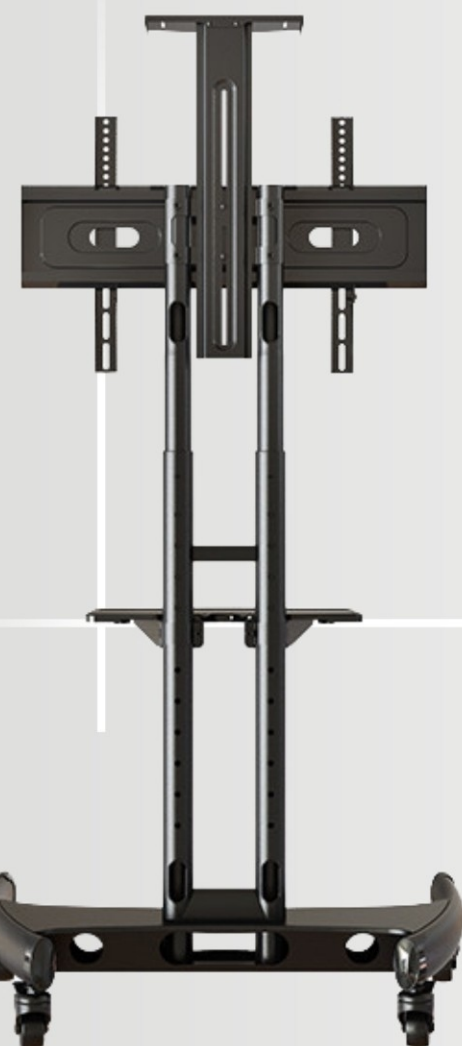


Whether you are looking for a large plasma TV stand for your limited living room, or can not find best way to setup your LED, LCD TV or display in meeting room, exhibition room, restaurant, here maybe it is your best selection. This is the modular designed light weight mobile display stand comes in black powder coat gives you a brand new looked with 2 heavy duty poles to give you height adjustment from 1030mm(40.5") to 1530mm (60.2").

It comes with standard accessories like camera tray and AV accessories shelf. Its unique and convenience TV height adjustment by spring plunges; Cable management designed; Security padlock designed to prevent loss of TV are the most good features and selling points to you and your buyers.

It is designed carried up to 100 lbs(45.5kg) or Maximum 60" flat panel screen with 4 heavy duty braked caster wheels installed. This universal seamless black steel TV cart offers the most complete mobile solution for any application. It can meet the needs and demands at trade shows, in the boardroom, or in classrooms. It comes with theft prevention, cable management, height adjustable video and A/V shelves, and many other features.

most TV units from 32"-65" and up to 100 lbs  
VESA compliant from 200x200mm to 500x800mm  
TV height can be adjusted in 2" increments from 40.5" up to 60"  
Landscape viewing mode only  
2" Precision caster brake wheels for a smooth roll.  
Cable Management system  
height adjustable video shelf for video conferencing  
height adjustable A/V shelf (max weight of 10 lbs.)



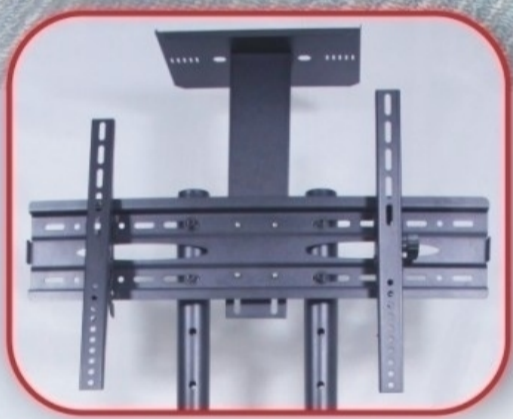
# UNIVERSAL VIDEOCONFERENCING /PLASMA FLOOR STAND

VCT 01

BLACK



- Movable flat panel tv mount
- With 2 shelves, Lower for VC equipment & upper shelf for camera
- Support LCD upto : 32"-55"
- VESA size : 710\*440mm
- Max height : 5 feet from TV center to floor
- Height of TV can be adjustable
- 4 locking Wheels which allows easy movement
- Load Bearing : 35 kg
- Color : Black



Adjustable mount to support 32" - 55" LCD's & camera shelf

Adjustable Camera shelf interactive meetings and presentation.



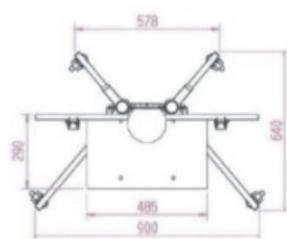
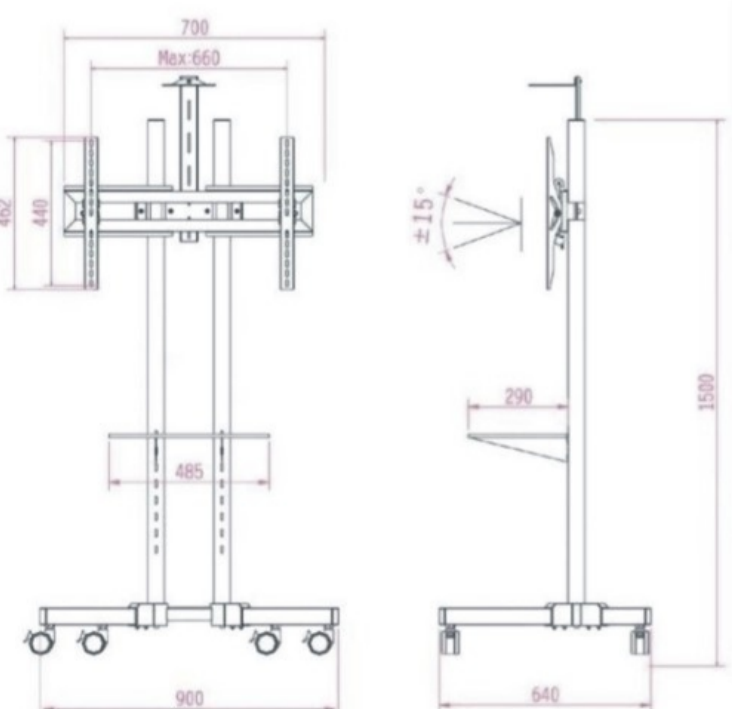
Height adjustable lower shelf for VC equipments



4 High grade lockable castors



adjust camera shelf height



adjust TV height on preset holes

**MATCH YOUR ESTHETICS CHOOSE BETWEEN SILVER AND BLACK**

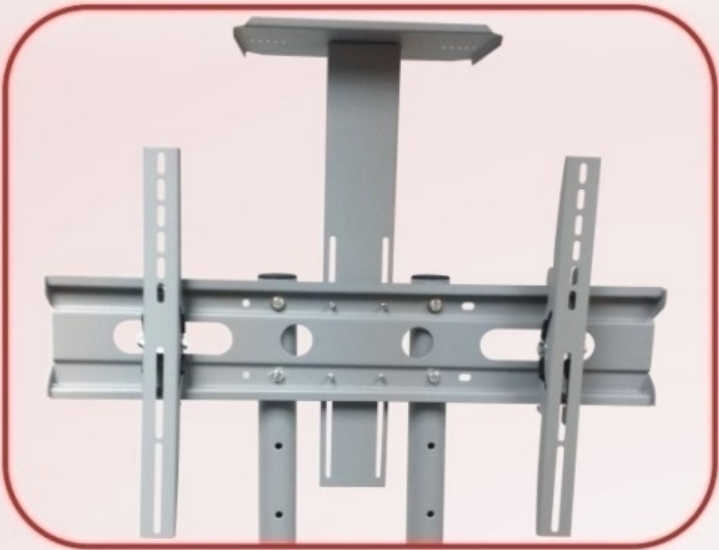
MATCH YOUR ESTHETICS CHOOSE BETWEEN SILVER AND BLACK

SILVER

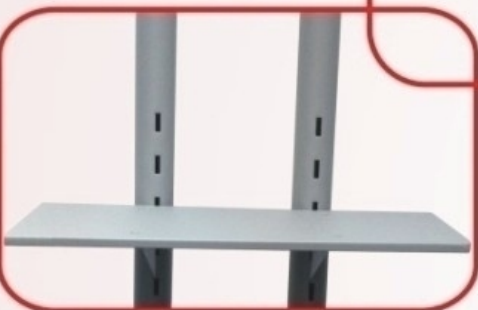


Adjustable Camera shelf interactive meetings and presentation.

Adjustable mount to support 32" - 55" LCD's & camera shelf



Height adjustable lower shelf for VC equipments



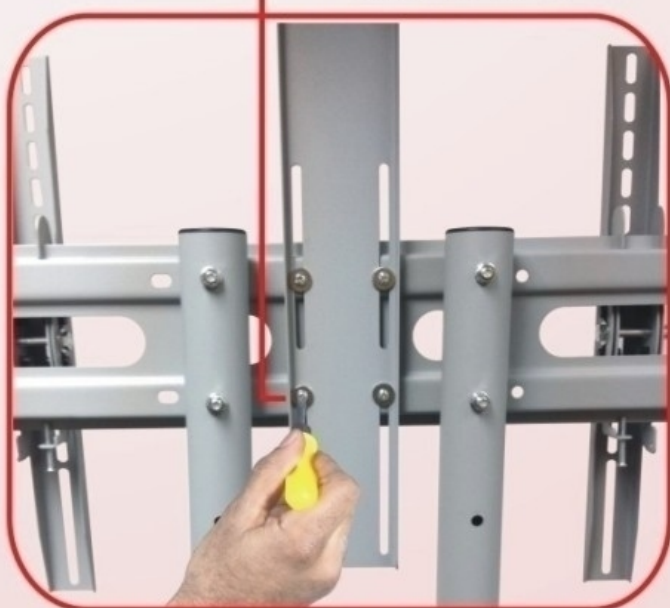
4 High grade lockable castors



Adjust TV height on preset holes



Adjust height of camera shelf



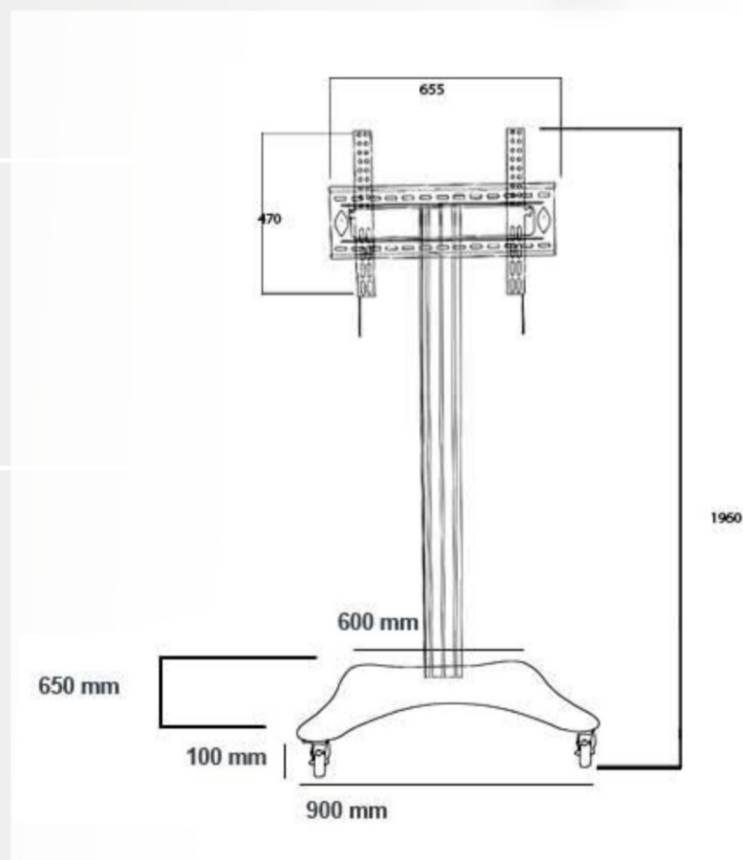
# LCD TV Floor Stand

Rk02



RK02 is an extremely sturdy universal aluminum TV cart that accommodates medium sized LED, LCD, and Plasma TV sets. It offers the most complete mobile display solution for any application. This mobile cart is your best choice for video conferencing or doing presentations at trade shows, in the boardroom, or in the classroom.

- Supports TVs from 32"-72" and up to 75 kg tv.
- VESA compliant from 200x200mm to 400x600mm
- Continuous adjustable screen height from 32" up to 65"
- Tilt angle adjustments tv bracket for 15 degree tilting
- Landscape viewing only.
- height adjustable standard camera shelf above TV
- height adjustable A/V shelf below tv, can bear 10 kg weight
- Cable Management system
- Precision 3" swivel castor brake wheels for great mobility
- Aluminium Pillars and rigid heavy and sturdy base
- Optional accessories are :Rotating bracket (for landscape and portrait viewing), CPU shelf, extra AV shelf, Basket, laptop cabinet,





# 32 - 80"

## MOBILE TV CART

RJT0A



Recommended TV Size: 32"-80"  
TV back pitch(VESA): MAX 800X600 MM  
Distance from the wall: 155 CM  
Maximum load: 50KG  
Application area : Homes, schools, hotels, hospitals, etc.  
Material : Quality cold-rolled plate  
Color : Black and white silver  
Gross Weight : 22.5 KG



### RIFE TECHNOLOGIES

Delhi Office:

362, Vardhman Plaza - II, J-Block, Community Centre, Rajouri Garden, New Delhi - 110027

☎ (011) 2516-7799, 2592-5555  
✉ sales@rifeindia.com  
🌐 www.rifeindia.com

HongKong Office:

Ergonomic Corporation (Hong Kong ) Limited. 2nd floor Eton tower 8 , Hysen Avenue Causeway, Hongkong.

☎ 852 - 61819896  
✉ rishi@ergohongkong.com, ergohongkong@gmail.com  
🌐 www.ergohongkong.com