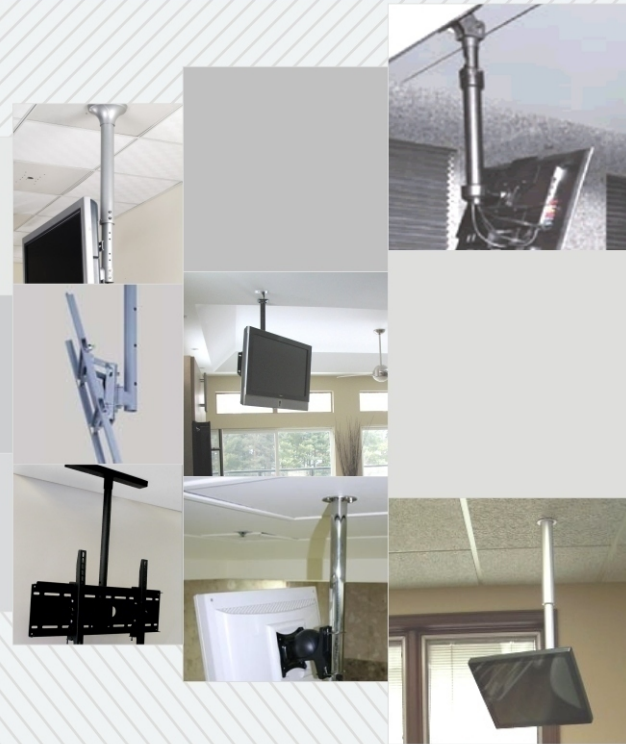
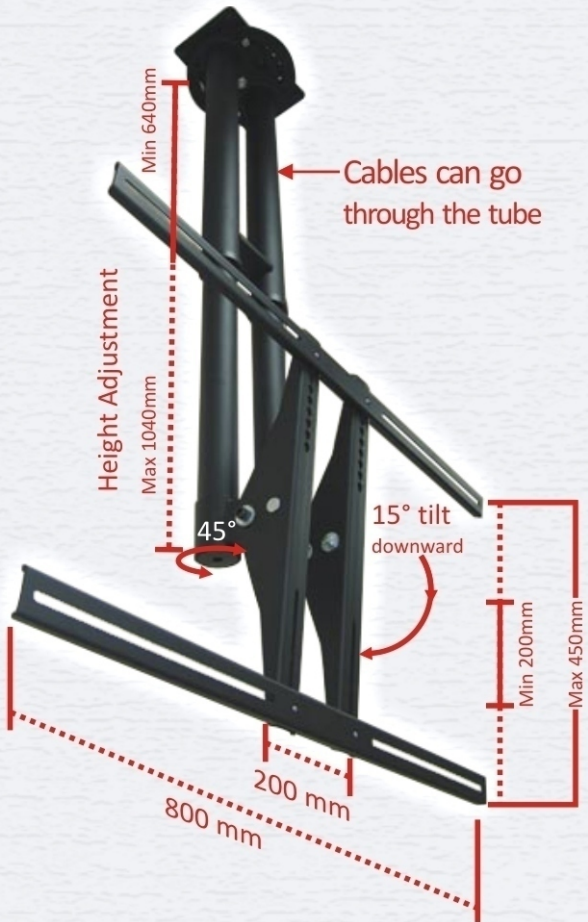




# Ergonomic Corporation (Hong Kong) Ltd.

ADJUSTABLE LCD TV CEILING MOUNT





## ADJUSTABLE LCD TV CEILING MOUNT R8700B

**Firmly fix on the ceiling.**

**It provide an adjustable tube.**

**Support weight upto 50kgs.**

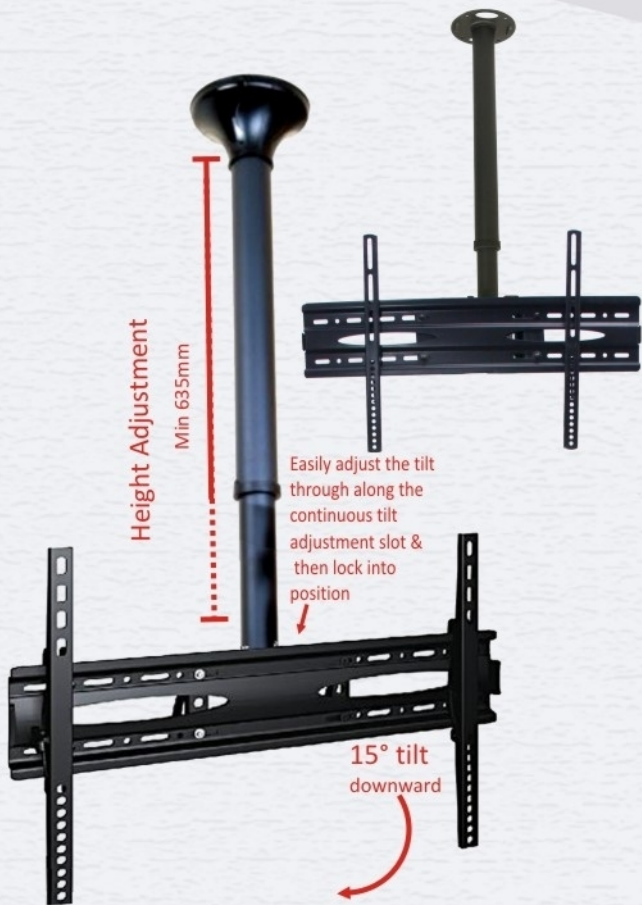
**Support Screen upto 27" to 60".**

**Cables can go through the tube.**

**TV can be swivelled left or right for 45° and tilted downward 15°.**







## ADJUSTABLE LCD TV CEILING MOUNT R8720B

Firmly fix on the ceiling.

It provide an adjustable tube.

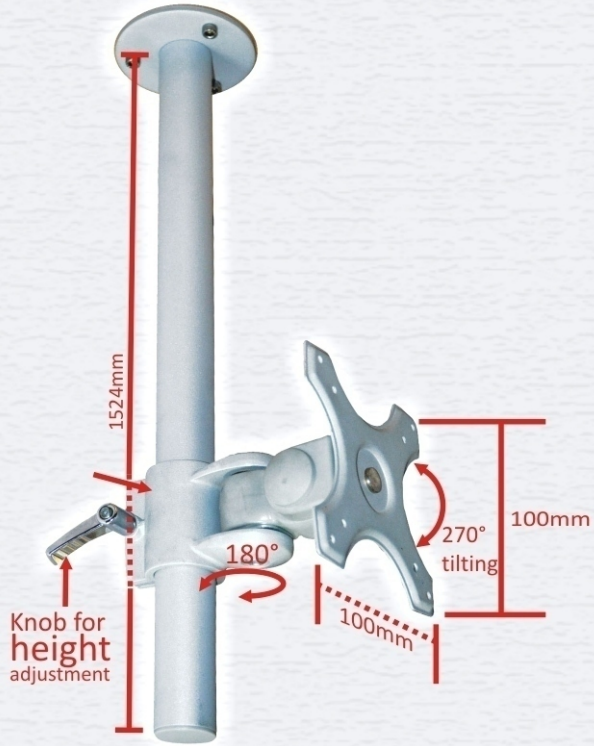
Support weight upto 35kgs.

Support Screen upto 65".

Product maximum length : 1500mm

minimumlength : 920mm





## ADJUSTABLE CEILING MOUNT FOR MONITORS

### CM-S

**Firmly fix on the ceiling.**

**It provide an adjustable tube.**

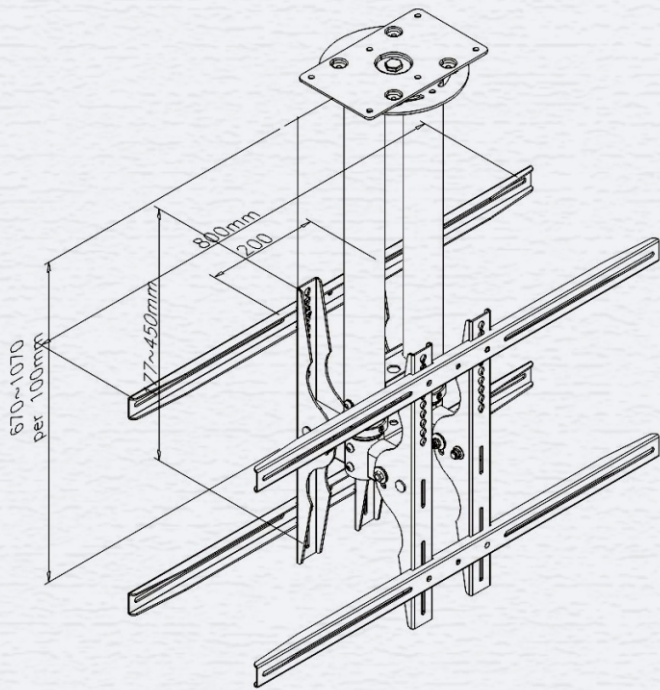
**Support Screen upto 15"-24".**

**Monitor can be rotate landscape to portrait.**

**Vesa 75mm and 100mm.**

**TV can be swivelled left or right for 180° and tilted 270°.**





ADJUSTABLE BACK TO BACK CEILING MOUNT

## R8710B

**Firmly fix on the ceiling.**

**It provide an adjustable tube.**

**Support Screen upto 32"-60".**

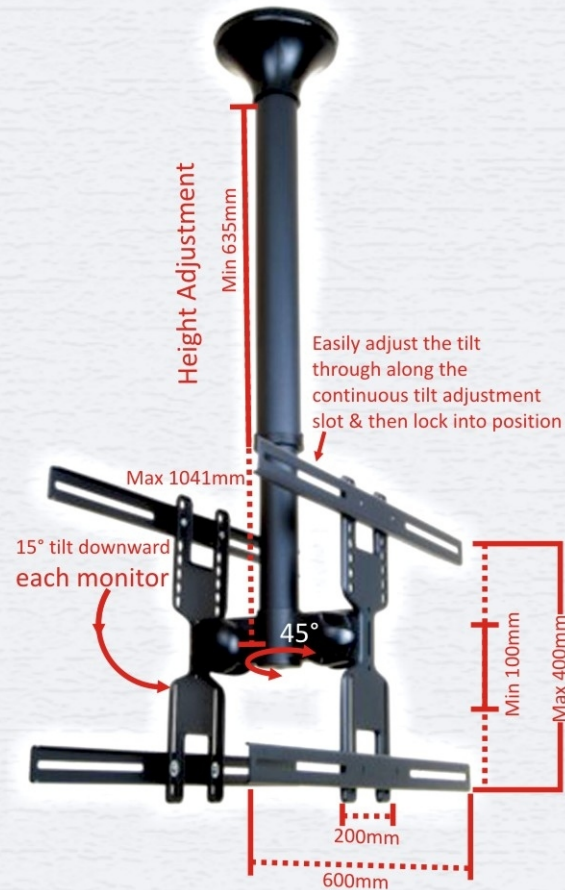
**Cables can go through the tube.**

**Support weight upto 50kgs for each screen.**

**Vesa minimum 200 x 200 to Vesa Max 800 x 450.**

**TV can be swivelled left or right for 45° and tilted downward 15°.**





## ADJUSTABLE BACK TO BACK CEILING MOUNT R8740B

**Firmly fix on the ceiling.**

**It provide an adjustable tube.**

**Support Screen upto 26"-42".**

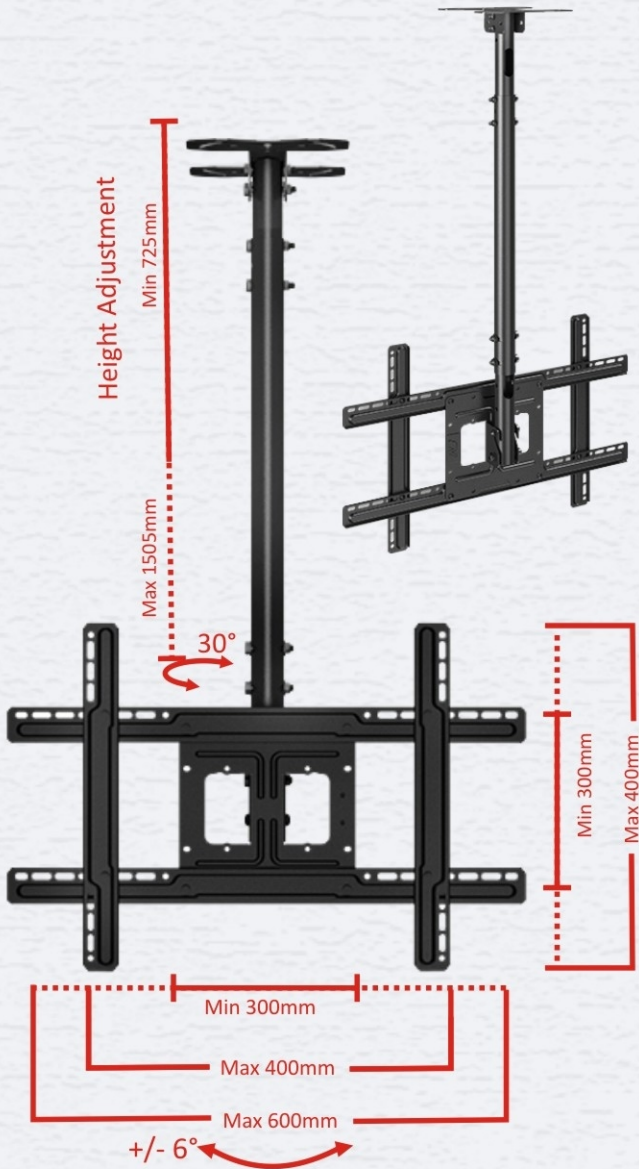
**Cables can go through the tube.**

**Support weight upto 35kgs for each screen.**

**Vesa minimum 200 x 200 to Vesa Max 600 x 400.**

**TV can be swivelled left or right for 45° and tilted downward 15°.**





## ADJUSTABLE LCD TV CEILING MOUNT R560

Fits most 32-57" Flat Panel LED , LCD TV.

VESA :100\*100~600\*400mm

Tilt: -5°~ +15°

Roll: -30°~+30°

Load capacity : 150lbs(68.2 kg)

Material : SPCC

Surface treatment: Powder painting coating finished.



\* With our nice looking and high-quality surface powder coating finished

\* Advanced technology design make veiwing angle easy and convenient.

\* Neat and tidy cable management design make your cable connections easy and trouble free as the poles conceal all wires and cables inside .

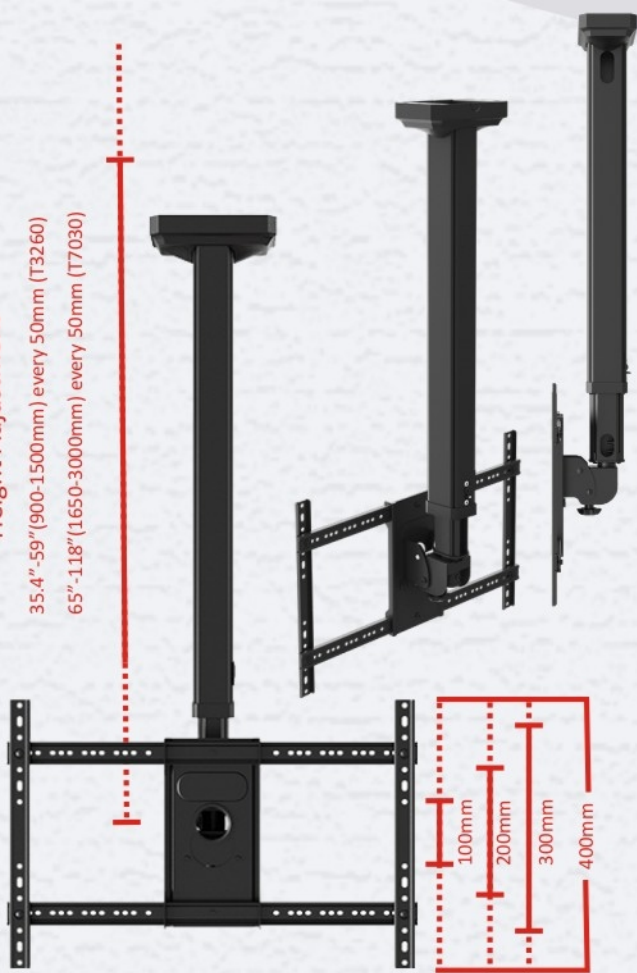
\* The Heavy gauge steel construction provides our loading capacity up to 150lbs ( 68.2kg )

\* The mount height adjustable from 28.5"(725mm) to 59.3"(1505mm).



Height Adjustment

35.4"-59" (900-1500mm) every 50mm (T3260)  
65"-118" (1650-3000mm) every 50mm (T7030)



## ADJUSTABLE LCD TV CEILING MOUNT R260

Fits most 32-60" Flat Panel LED , LCD TV.

VESA :200\*100~600\*400mm

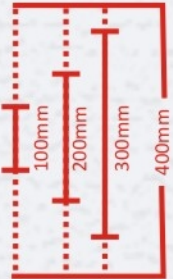
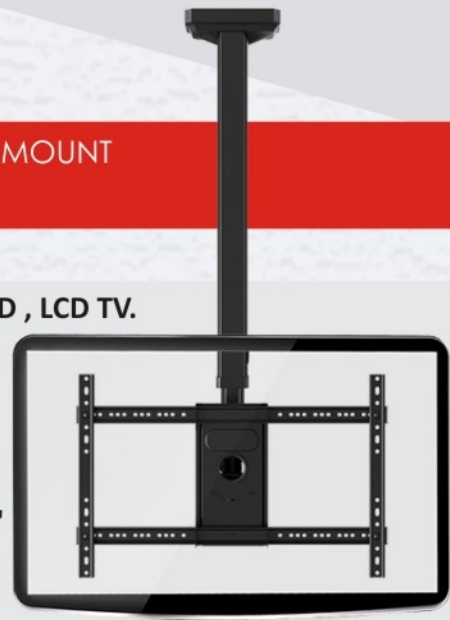
Tilt angles: -2°~ +20°

Drop length height from 35.4"  
to 59" (900 to 1500mm)

Horizontal swivel : 360°

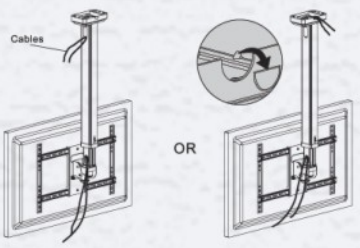
Load capacity : 100lbs(45.5 kg)

Material : Alumium alloy withanodizing finishing

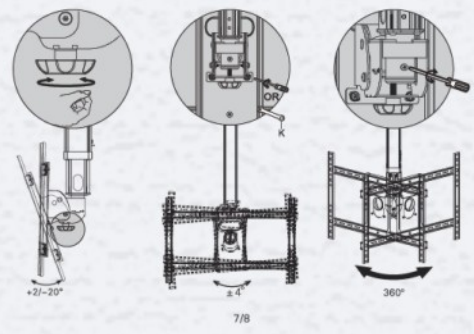


- \* Drop length height setting by means of push and lift up from 59" to 35.4" (1500 to 900mm) in step of 2" (50mm)
- \* Knobs turning to set your desired viewing angles to avoid glare reflection
- \* Round about horizontal swivel allowed you to set projection at any directions
- \* Maximum capacity is 100 lbs (45.5kg) and for flat panel TVs 32" to 60"
- \* Integrated cable management system hides cables inside telescopic alumium poles

### 5.Cables & wires installing



### 6.Horizontal swivel & tilting adjustment



## RIFE TECHNOLOGIES

Delhi Office:  
362, Vardhman Plaza - II, J-Block, Community Centre, Rajouri Garden, New Delhi - 110027

(011) 2516-7799, 2592-5555  
sales@rifeindia.com  
www.rifeindia.com

HongKong Office:  
Ergonomic Corporation (Hong Kong ) Limited. 2nd floor Eton tower 8 , Hysen Avenue Causeway, Hongkong.

852 - 61819896  
rishi@ergohongkong.com , ergohongkong@gmail.com  
www.ergohongkong.com