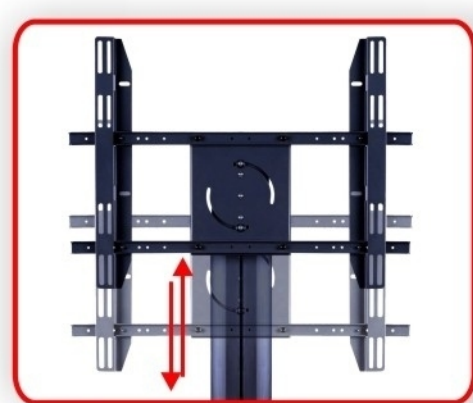


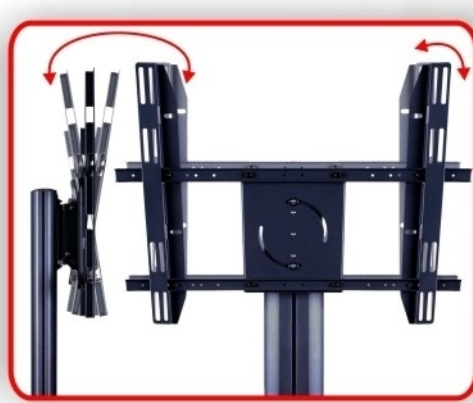
**RKD**

**Dual LCD TV  
Floor Stand**

Suggest size: 30-60" Dual Screens  
Adjustable Tilt: 20 degree  
Loading Capacity 100 kgs  
Rotation: +/- 360°  
Material: Alu. Casting+metal  
Height: 1800mm  
Color silver/black  
VESA Standard: Max. 800(L)\*  
400(W)mm  
Optional Parts: Camera Holder,  
Codec or DVD shelf, CPU holder  
or Mediabox  
Features: Cable management, Electric  
socket outlet, Portrait & Landscape



Adjustable height to support tv upto 30" - 60" LCD's



Adjustable Tilt 20°



Rotation +/- 360°



Base for good looks and stability



4 Electric point outlet backside on pole

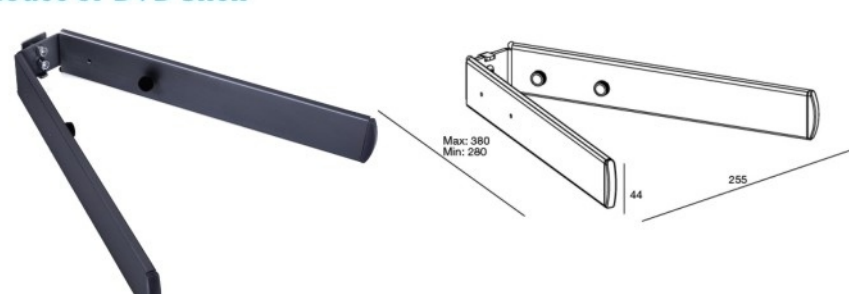


4 high grade lockable castor

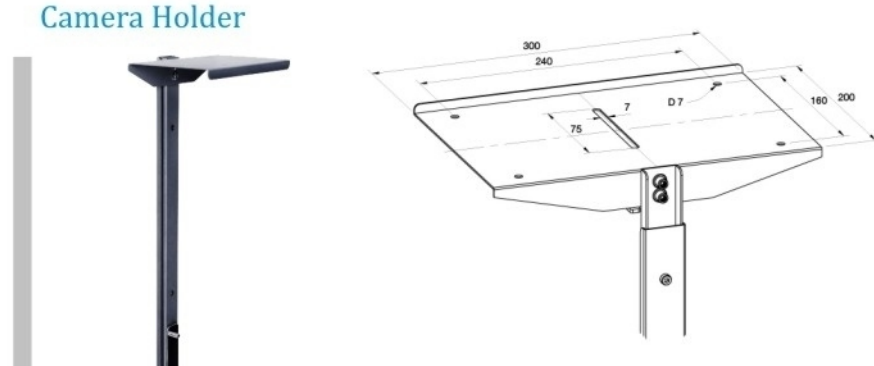


**Optional Parts**

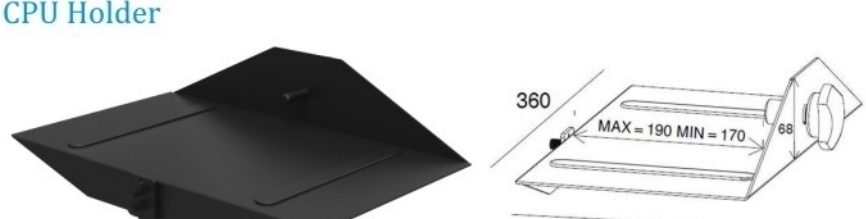
Codec or DVD Shelf



Camera Holder



CPU Holder

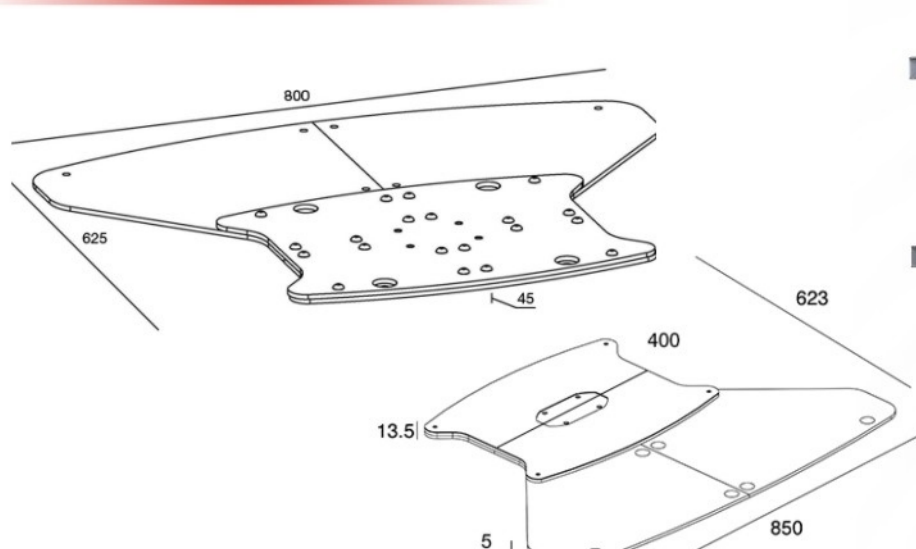


Mediabox

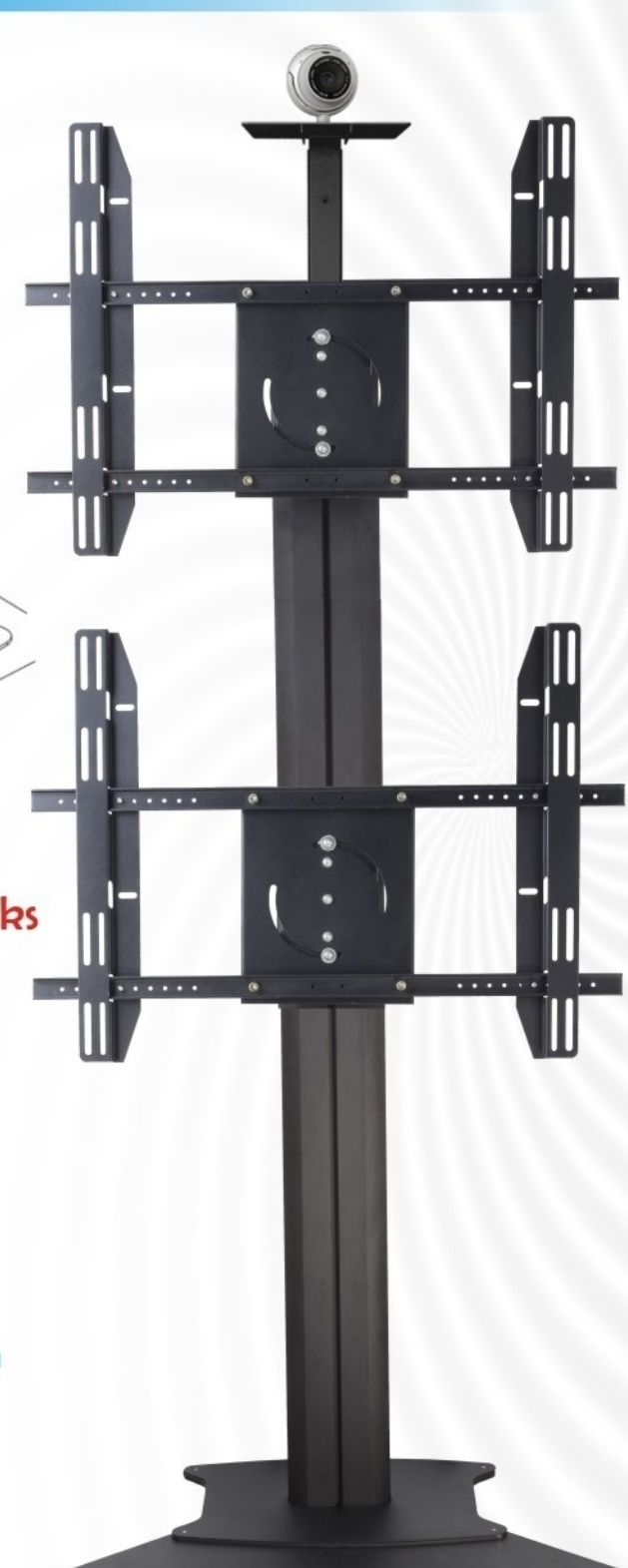


TV Stand 180 Dual is one of the most flexible and multifunctional display stand of its kind. The Dual tv stand possibility makes this unit optimal for videoconferencing and more detailed presentations where a dual screen scenario might be needed. tv Stand has a versatile usage area. Mainly made out of a light weight aluminum construction it is both heavy duty and will support most ideas and environments it is placed in. The tv Stand can be used with screens in a standard landscape mode or a portrait mode. As a stable and sophisticated display stand base with wheels are included as standard. This means the series is very easy to move around. This makes the series perfect for use in public environments such as conference rooms, class rooms or hospitals.

**RKD-B**



Base for good looks and stability



The product exchanges the standard wheelbase included and can then create a non movable base for the TV Stand. This is ideal if the TV Stand should not be moved out of its position.

The TV Floorstand Base is configurable to meet different needs and situations. For public use its footprint can be minimized and then mounted to the floor. This is highly suitable in public areas where safety is of highest importance.



Product Size: 790(L)\*500(W)\*1450-1760(H)mm  
 Color: Silver/ Black  
 Material: Aluminium column .+Metal Base +MDF Shelf for keyboard and mouse  
 Features: Cable Management  
 Height adjustment for Sitting and Standing position  
 Optional Parts: CPU holder, Printer Shelf, Basket  
 Load bearing : 30kg  
 Max Capacity : 100kgs  
 Support LCD upto : 17" to 32"



Utility basket for storage

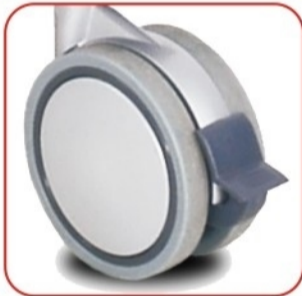
Adjustable MDF Shelf for keyboard and mouse



4 Electric point on pole



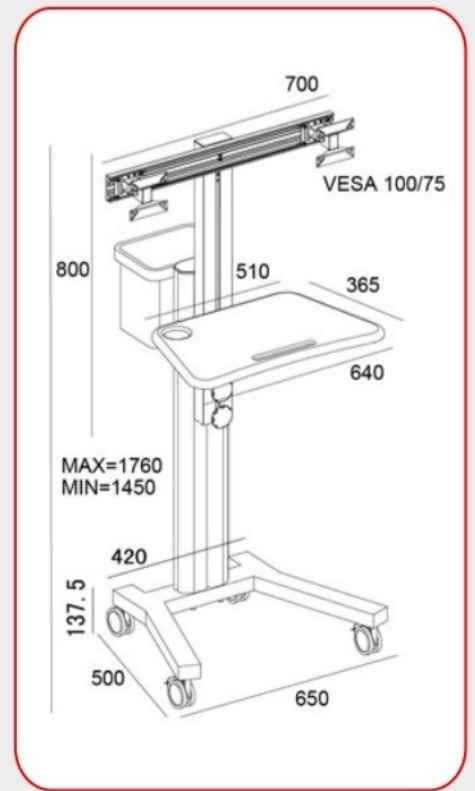
Adjust height of keyboard shelf with this knobs



High grade lockable caster

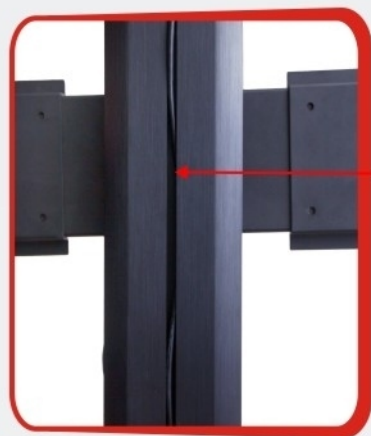


Adjustable mount to support each tv 17" to 32"



# DUAL TV MEDIA CART WITH CABINET

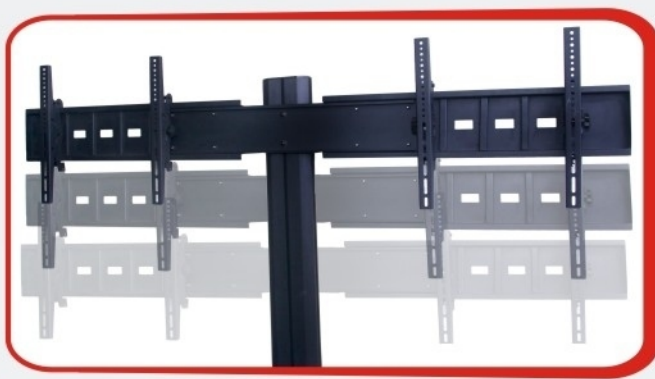
**TMC02**



Cable can go inside the pole



4 electric point outlet on pole



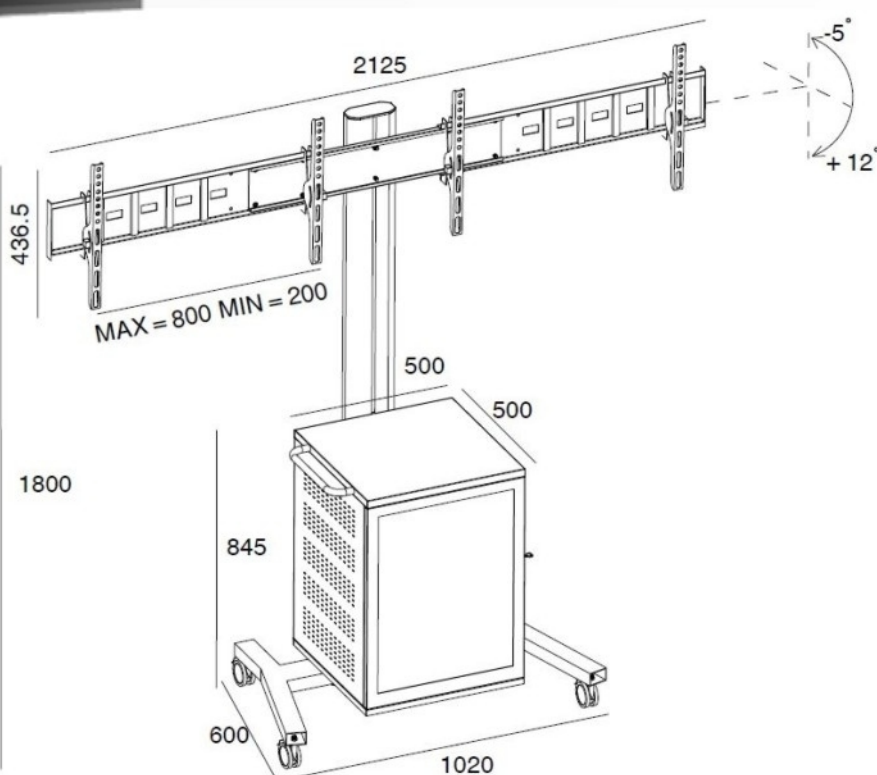
TV can adjust any level on pole



Lock on media cabinet to keep stored AV devices safe and secure



Technical View of Media Cart



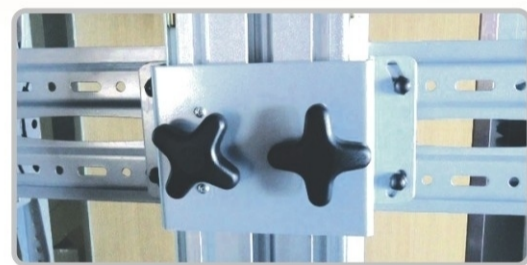
# DUAL TV VIDEO CONFERENCE CART

DTVC 01



Movable flat panel tv mount  
With 2 shelves, Lower for VC equipment  
& upper shelf for camera  
Cable Management inside the pole  
VESA size : 400\*400 & 600\*600mm  
Support each screen upto 55"

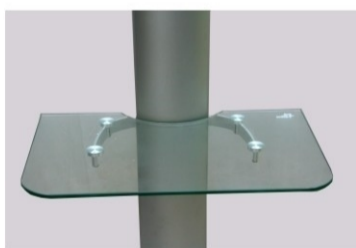
Camera shelf size of 300(L)x230(W)mm  
DVD shelf size of 540(L)x350(W)mm  
DVD / VC codec shelf can support → Standard 5 kg  
or Optional at extra charge metal heavy duty 10 kg  
Max height : 1900mm from TV center to floor  
4 locking Wheels which allows easy movement  
Load Bearing : 50 kg  
Colour : Silver



Mount height adjustment knobs



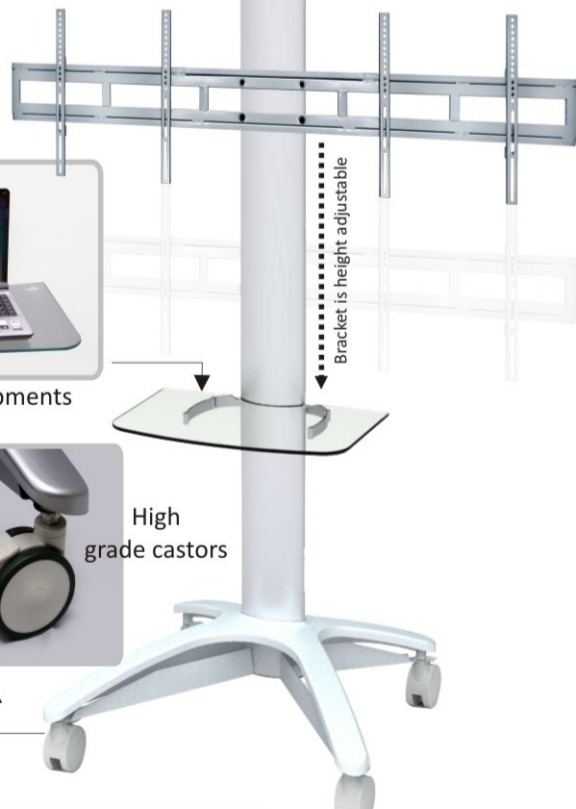
Adjustable camera shelf



Shelf for VC equipments



High grade castors



Bracket is height adjustable



Universal bracket to mount each tv upto 55"



# Dual TV Floor Stand (Ultra Premium)

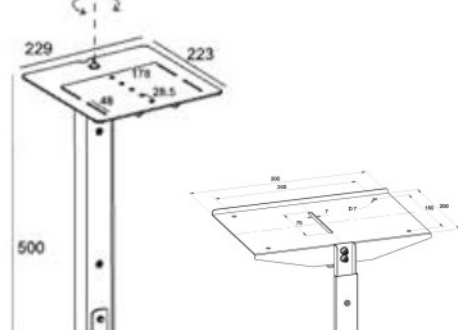
Upc2



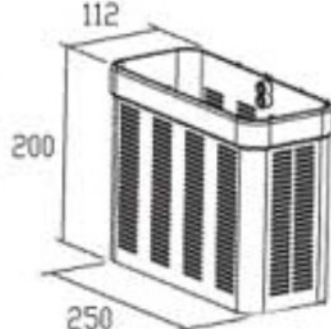
dual TV cart with stylish, extremely sturdy universal aluminum TV cart that accommodates medium sized LED, LCD, and Plasma TV sets. It offers the most complete mobile display solution for any application. This mobile cart is your best choice for video conferencing or doing presentations at trade shows, in the boardroom, or in the classroom. Supports Each TVs from 32"-72" and up to 80 kg tv. VESA compliant from 200x200mm to 400x600mm Continuous adjustable screen height from 32" up to 65" Tilt angle adjustments tv bracket for 15 degree tilting Landscape viewing only. height adjustable standard camera shelf above Tv height adjustable A/V shelf below tv, can beat 10 kg weight Cable Management system Precision 3" swivel caster brake wheels for great mobility Aluminium Pillars and rigid heavy and sturdy base

## Optional Parts

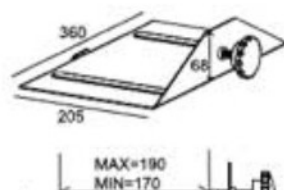
### Camera Holder



### Storage Basket



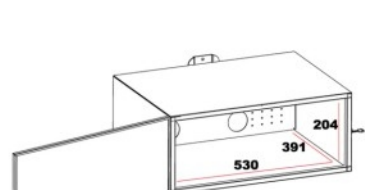
### CPU Holder



### DVD/ Printer Shelf



### Media Box



### Media Box New

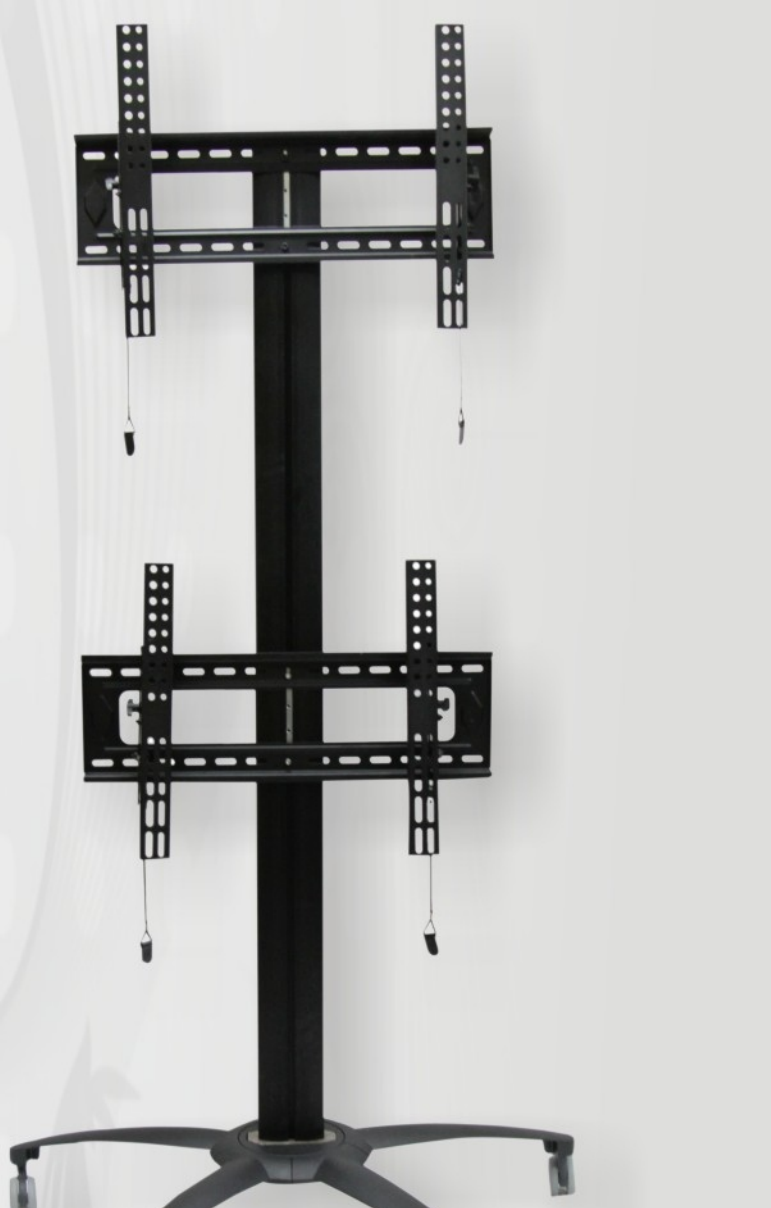


TV Size : 32" to 55" each.  
Exterior Height : 1960 mm  
Maximum Load Capacity : 80 kg, each  
Maximum Load Capacity : 176.37 lbs  
Casters (Mobile) : Yes  
Height Adjustment Maximum : 1960 mm



# Dual TV Floor Stand (Ultra Premium Vertical)

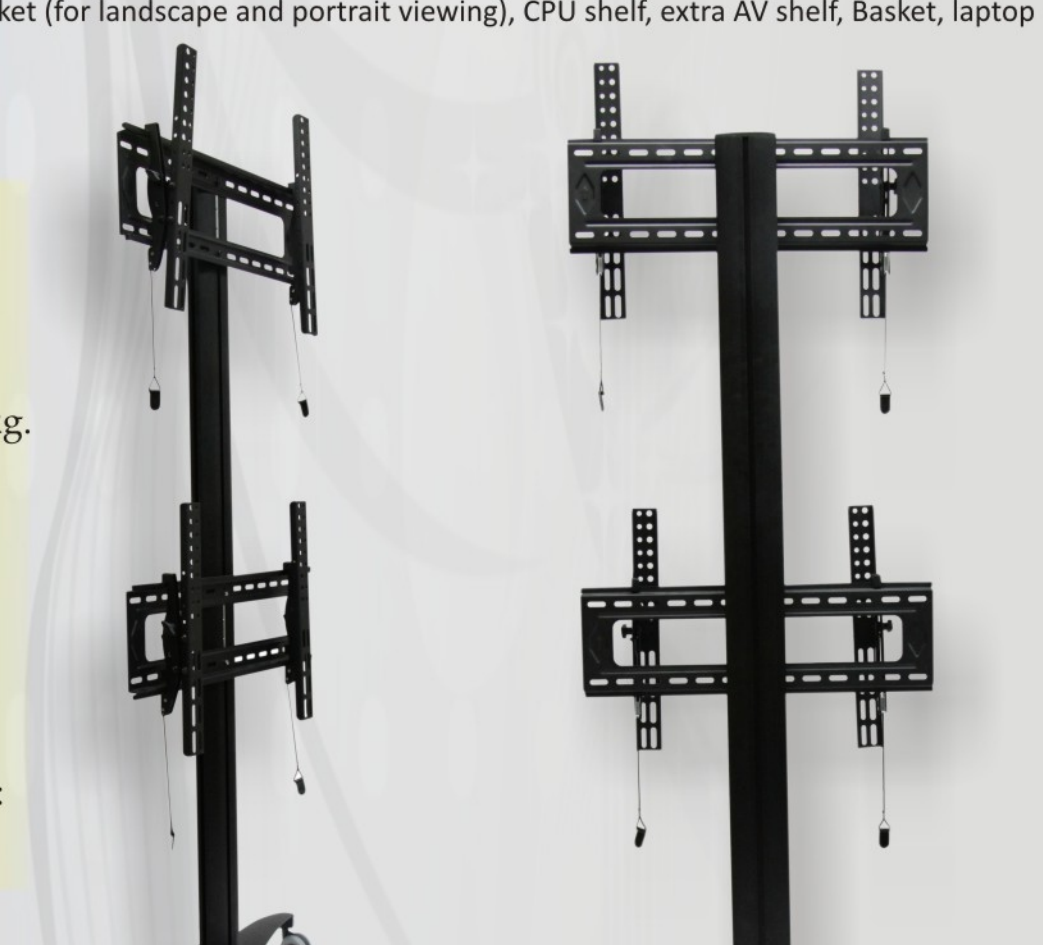
Upc2v



dual TV cart with stylish, extremely sturdy universal aluminum TV cart that accommodates medium sized LED, LCD, and Plasma TV sets. It offers the most complete mobile display solution for any application. This mobile cart is your best choice for video conferencing or doing presentations at trade shows, in the boardroom, or in the classroom. Supports Each TVs from 32"-72" and up to 80 kg tv. VESA compliant from 200x200mm to 400x600mm Continuous adjustable screen height from 32" up to 65" Tilt angle adjustments tv bracket for 15 degree tilting Landscape viewing only. height adjustable standard camera shelf above Tv height adjustable A/V shelf below tv, can beat 10 kg weight Cable Management system Precision 3" swivel caster brake wheels for great mobility Aluminium Pillars and rigid heavy and sturdy base

Optional accessories are :Rotating bracket (for landscape and portrait viewing), CPU shelf, extra AV shelf, Basket, laptop cabinet, .

TV Size : 32" to 55" each.  
Exterior Height : 1960 mm  
Maximum Load Capacity : 80 kg, each  
Maximum Load Capacity : 176.37 lbs  
Casters (Mobile) : Yes  
Height Adjustment Maximum : 1960 mm



# Dual TV Floor Stand (Ultra Premium)

**Upt2**



dual TV cart with stylish, extremely sturdy universal aluminum TV cart that accommodates medium sized LED, LCD, and Plasma TV sets. It offers the most complete mobile display solution for any application. This mobile cart is your best choice for video conferencing or doing presentations at trade shows, in the boardroom, or in the classroom.

Supports Each TVs from 32"-72" and up to 80 kg tv.

VESA compliant from 200x200mm to 400x600mm

Continuous adjustable screen height from 32" up to 65"

Tilt angle adjustments tv bracket for 15 degree tilting Landscape viewing only.

height adjustable standard camera shelf above Tv

height adjustable A/V shelf below tv, can beat 10 kg weight

Cable Management system

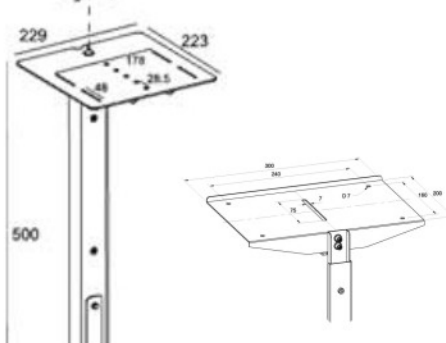
Precision 3" swivel caster brake wheels for great mobility

Aluminium Pillars and rigid heavy and sturdy base

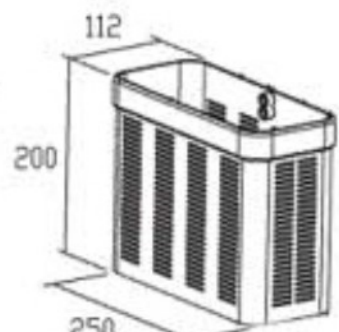
Optional accessories are :Rotating bracket (for landscape and portrait viewing), CPU shelf, extra AV shelf, Basket, laptop cabinet, .

## Optional Parts

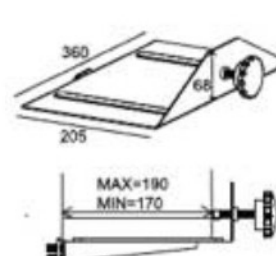
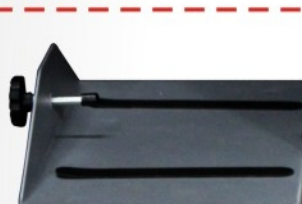
### Camera Holder



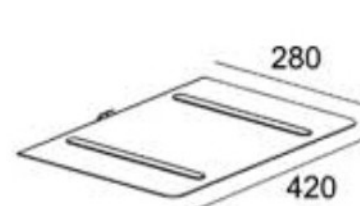
### Storage Basket



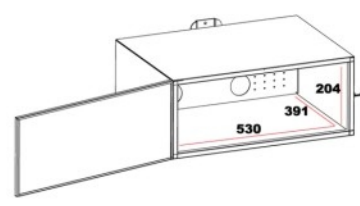
### CPU Holder



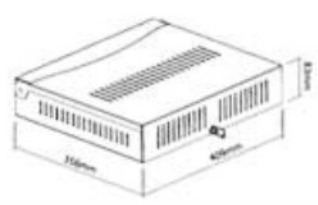
### DVD/ Printer Shelf



### Media Box



### Media Box New



TV Size : 32" to 55" each.

Exterior Height : 1960 mm

Maximum Load Capacity : 80 kg. each

Maximum Load Capacity : 176.37 lbs

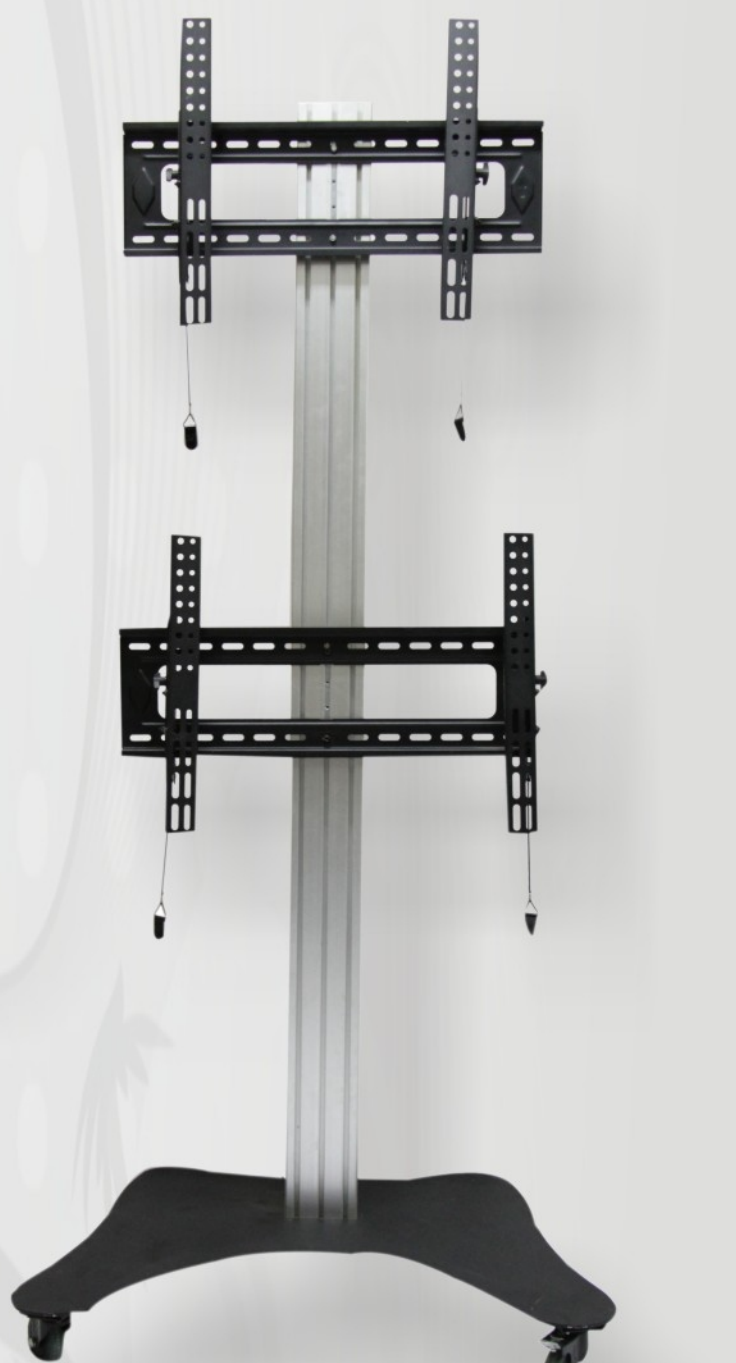
Casters (Mobile) : Yes

Height Adjustment Maximum : 1960 mm



# Dual TV Floor Stand (Ultra Premium Vertical)

**Upt2v**



dual TV cart with stylish, extremely sturdy universal aluminum TV cart that accommodates medium sized LED, LCD, and Plasma TV sets. It offers the most complete mobile display solution for any application. This mobile cart is your best choice for video conferencing or doing presentations at trade shows, in the boardroom, or in the classroom.

Supports Each TVs from 32"-72" and up to 80 kg tv.

VESA compliant from 200x200mm to 400x600mm

Continuous adjustable screen height from 32" up to 65"

Tilt angle adjustments tv bracket for 15 degree tilting Landscape viewing only.

height adjustable standard camera shelf above Tv

height adjustable A/V shelf below tv, can beat 10 kg weight

Cable Management system

Precision 3" swivel caster brake wheels for great mobility

Aluminium Pillars and rigid heavy and sturdy base

Optional accessories are :Rotating bracket (for landscape and portrait viewing), CPU shelf, extra AV shelf, Basket, laptop cabinet, .

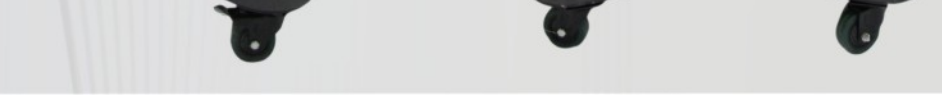
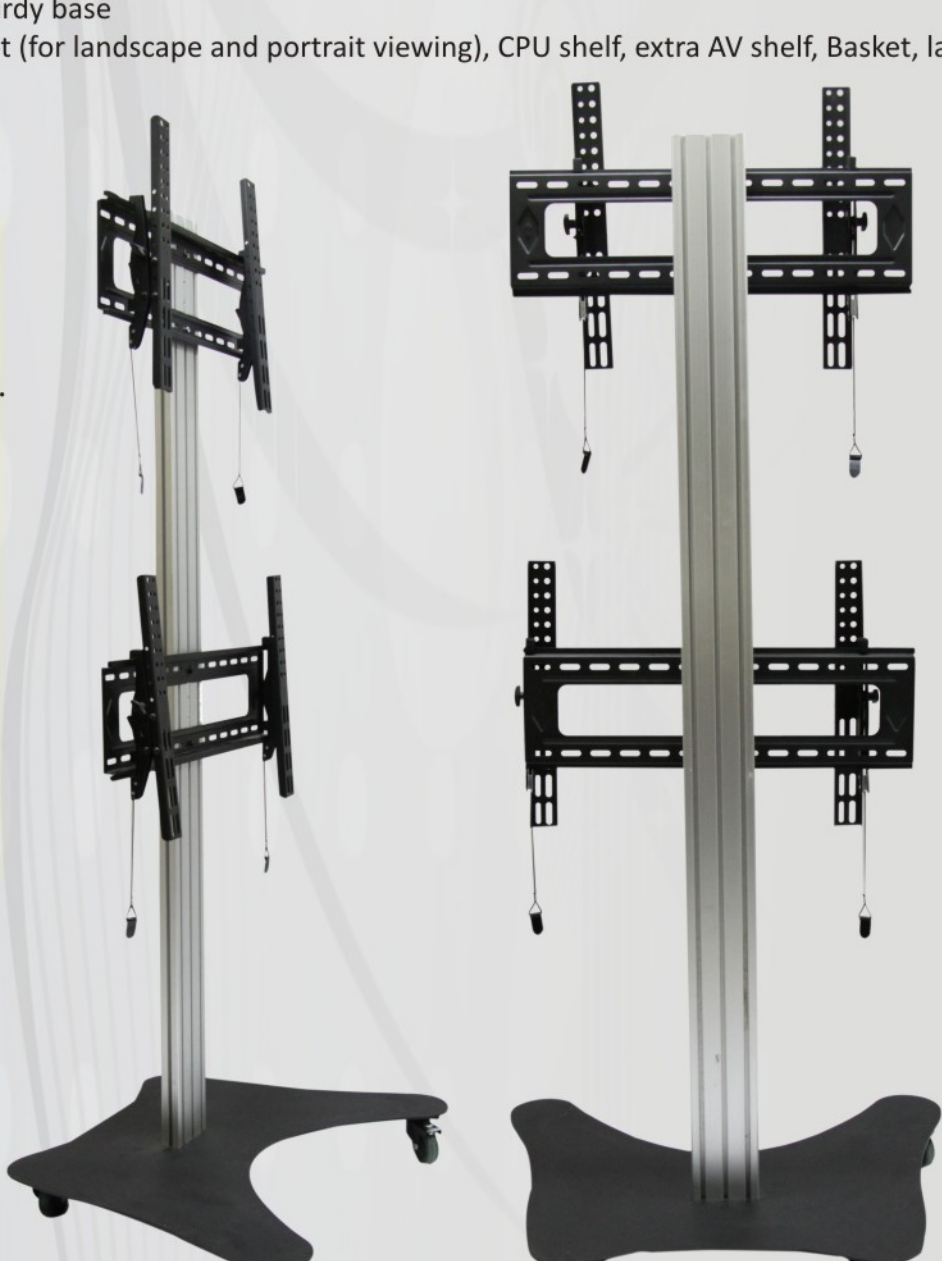
Exterior Height : 1960 mm

Maximum Load Capacity : 80 kg. each

Maximum Load Capacity : 176.37 lbs

Casters (Mobile) : Yes

Height Adjustment Maximum : 1960 mm





1. Motorized Mount on Mobile Cart is great for presentation and training functions. The mobile cart has a powerful motorized lift system that provides a height adjustment from 39.3" to 57".
2. Expertly designed and engineered with your comfort and safety in mind. This motorized mount is designed to support 2 TV's or monitors total weight about 50 kg maximum. (total weight of both TV combine should not exceed 50 kg. 32-40 inch TV usually these days about 15 to 20 kg maximum, so installing 2 qty 32 or 40 inches is no problem)
3. The adjustable equipment shelf will support your video conferencing equipment or your DVD system. The integrated cable management gives your mobile cart a clean professional look that compliments.
4. Motorized Screen Height from 39.3" - 57" (pole adjustment, tv top will be few inches more in height)
5. Controls: Dual Hand Held Cabled and infra red
6. Equipment Shelf below tv to keep laptop : Glass 19.7"x 14"
7. High quality casters with locking
8. Integrated cable management Power board holder at rear Power Requirements 220 to 240 40V AC



## RIFE TECHNOLOGIES

### Delhi Office:

362, Vardhman Plaza - II, J-Block, Community Centre, Rajouri Garden, New Delhi - 110027

☎ (011) 2516-7799, 2592-5555

✉ sales@rifeindia.com

🌐 www.rifeindia.com

### HongKong Office:

Ergonomic Corporation (Hong Kong) Limited, 2nd floor Eton tower 8, Hysen Avenue Causeway, Hongkong.

☎ 852 - 61819896

✉ rishi@ergohongkong.com, ergohongkong@gmail.com

🌐 www.ergohongkong.com