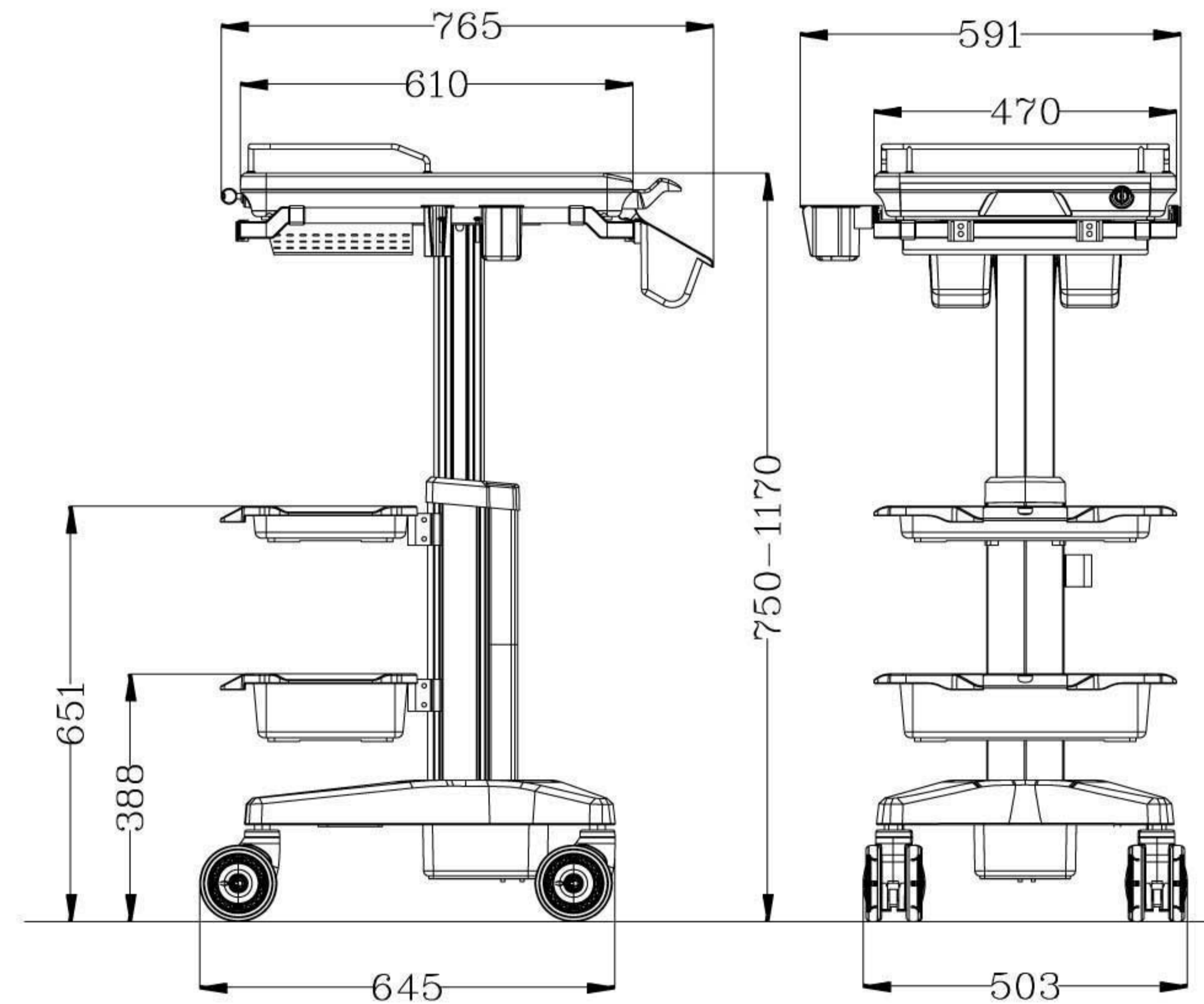


Ergonomic Corporation Hongkong Ltd

Hospital Cart / Medical Cart MC - N, N1, N2



- Height adjustment range for worksurface: 400 ± 20 mm, Lifting load $\cong 15$ kg
- Worksurface height: 750-1170mm (± 20 mm)
- Worksurface dimensions: 610mm(L) x 470mm(W)
There is a small laptop($\leq 14"$) cabinet which is lockable with 2 keys
- 2 big storage trays with different depth.
Dimensions: 469.5mm(L) x 306mm(W)
- Fence with hangers(include 3 small pockets,a scanner gun holder, a gel cup)
- Base: PA6 + ABS cover
- Silent medical casters



Model:
MC N1

Model:
MC N2



Model:
MC N

