

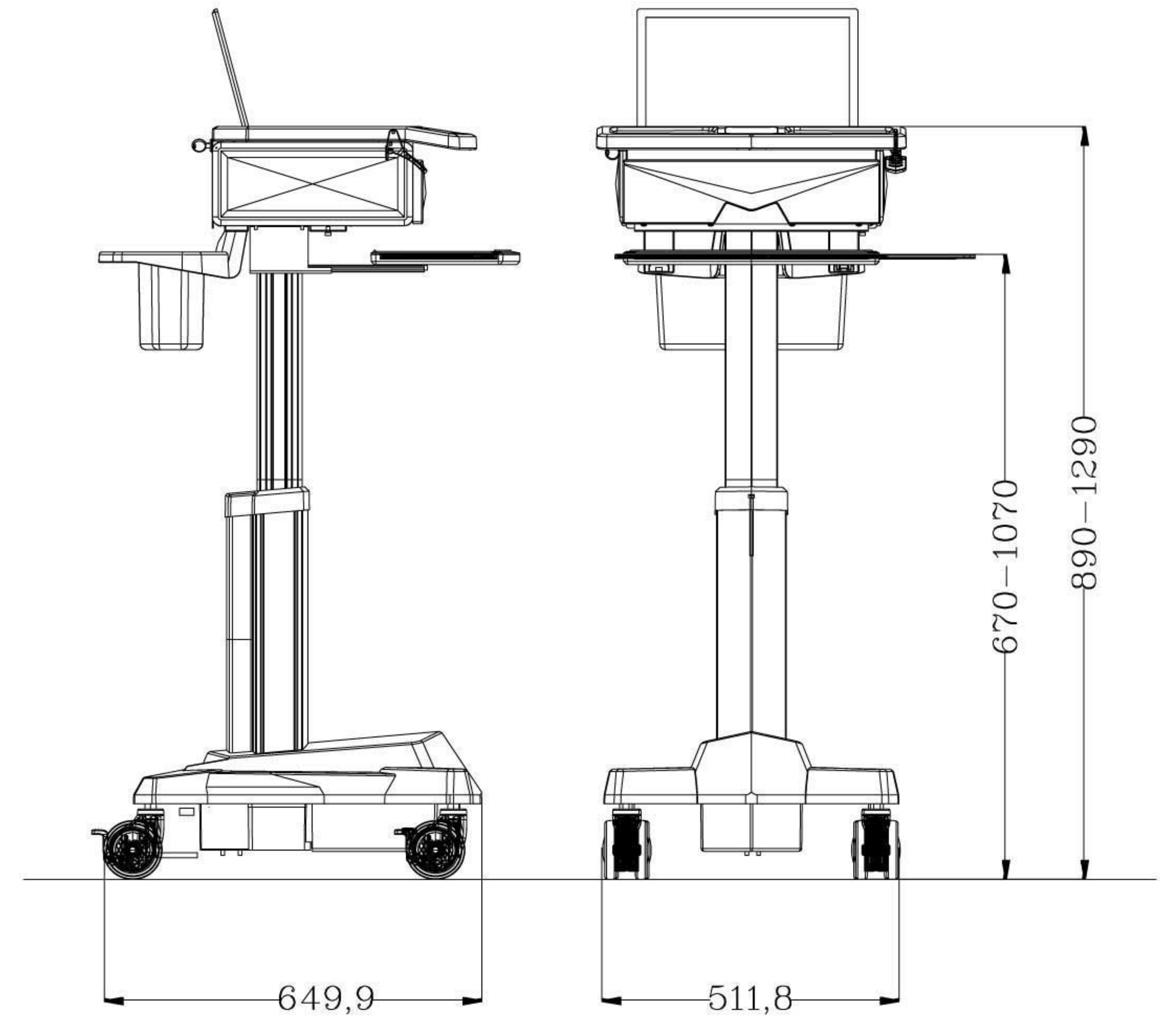
Ergonomic Corporation Hongkong Ltd

Hospital Cart / Medical Cart HSC - 4 & 4A



Model:
HSC - 04

- Height adjustment range for worksurface: 400 ± 20 mm, Lifting load ≤ 15 kg, Worksurface height 890mm-1290mm
- Large, smooth ABS worksurface dimensions: 533mm(L) x 455mm (W)
- Laptop cabinet dimensions: 430mm(L) x 346mm(W) x 56.5mm(H)
With external 2-Outlet power strip and main power cable at the cart base.
- Applied for laptop ($\leq 15''$)
- Internal dimensions for drawer: 379mm(L) x 298.5mm(W) x 84mm(H)
- Keyboard tray dimensions: 440mm(L) x 256mm(W)
- Mouse tray dimension: 208mm(L) x 200mm(W)
- Base: PA6 + ABS cover
- Silent medical casters



Model:
HSC - 04 A

