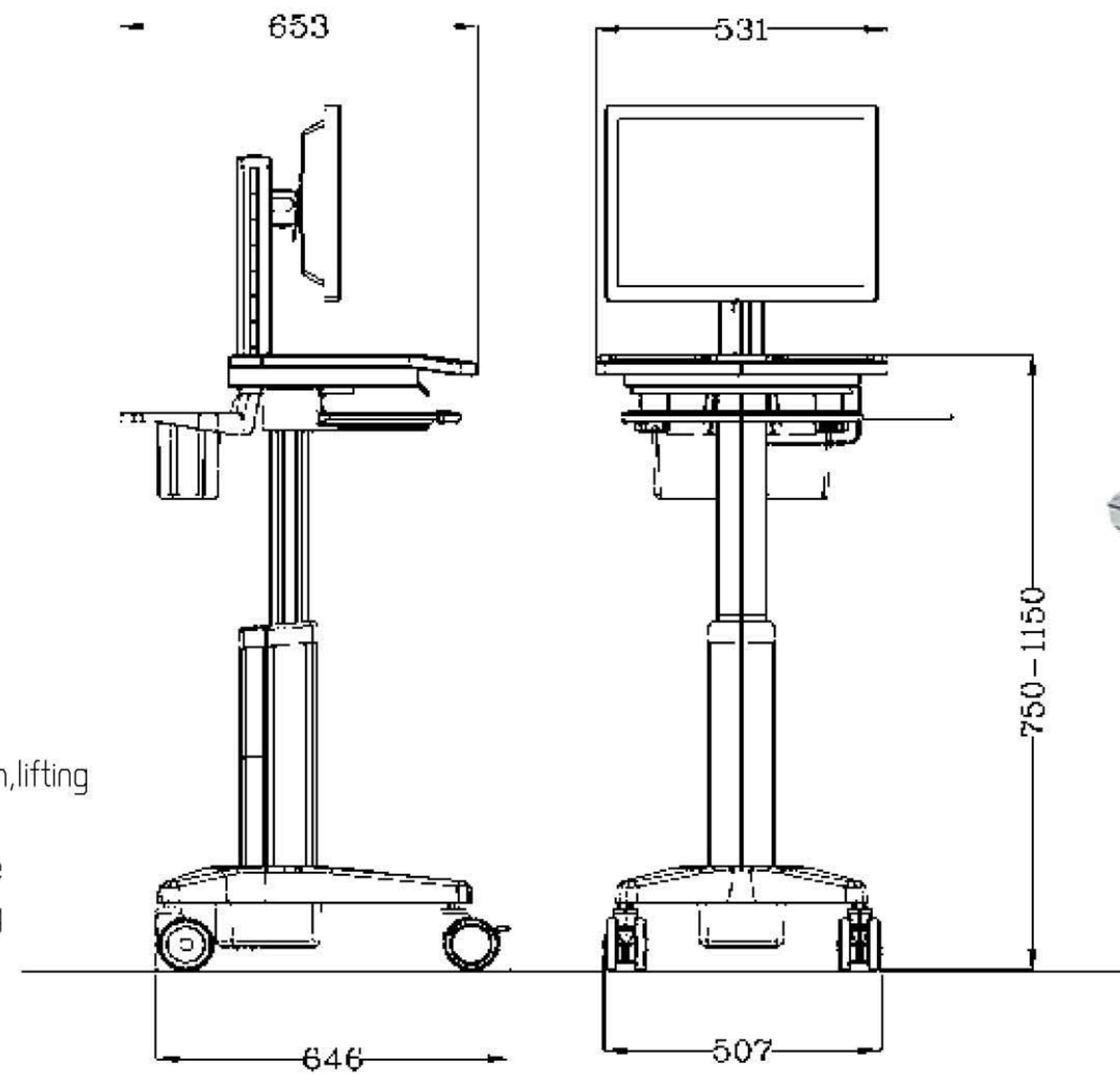


# Ergonomic Corporation Hongkong Ltd

## Hospital Cart / Medical Cart HSC 03-C

- Concise and compact,height adjustment range for worksurface: $400 \pm 20$ mm,lifting load  $\leq 15$ Kg
- LCD column dimension: 386mm(L) X 80mm(W) X 64.5mm(H),height adjustable with the help of internal lift construction.Applied for 22 inch LCD display, proposal load  $\leq 12$ Kg
- Large,smooth ABS worksurface dimension:533mm(L) X 455mm(W), worksurface height:750mm-1100mm
- Optional rotary keyboard tray, keyboard tray dimension:440mm(L) X 256mm(W)
- Mouse tray dimension:208mm(L) X 200mm(W)
- Storage Bin with handle
- Optional Built in power line
- Silent medical casters



Model:  
**HSC 03-C**

