

# DECK BOX

HORIZON / URBAN / WOODS

UNBOXING INSTRUCTION MANUAL



# THANK YOU FOR PURCHASING THE MIRADOR DECK BOX!



This manual will provide you with clear and detailed instructions on how to safely and correctly unpack and remove the deck box packaging.

## **IMPORTANT**

Please read the entire manual carefully before opening the deck box packaging, and please ensure the manual is kept in a safe place for future reference

We reserve the right to make changes for product improvements.

For parts and customer service, please call +1 (877)-506-4777 in the U.S. and Canada (English and Spanish) Monday - Friday: 6:30 am - 4:30 pm, Saturday – Sunday: 8:30 am – 4:30 pm, Pacific Time. Or email: [support@miradoroutdoor.com](mailto:support@miradoroutdoor.com)

Digital instruction manual is also available on our official website [www.miradoroutdoor.com](http://www.miradoroutdoor.com) for your reference.

# TABLE OF CONTENTS

- Before Unboxing Your Deck Box	3
- Important Safety Advice	3
- List of Parts	4
- Unboxing	7

# BEFORE UNBOXING YOUR DECK BOX



**WARNING: Important safety instructions. Follow all instructions, since incorrect unboxing can lead to injury.**

**Make sure you have all the tools required for unboxing your deck box:**

Please ensure you have access to the following tools and accessories, all of which are not provided.



Protective Gloves



Scissors

## IMPORTANT SAFETY ADVICE

**For the safety of all persons unboxing and using the deck box, it is important to follow the safety guidelines below.**

Please recycle packaging where possible.



Keep children and pets away from the unboxing area until the work is completed.



Please keep the parts in a place out of reach of children to prevent accidental ingestion.



Dispose of all plastic bags safely. Keep them out of the reach of children.

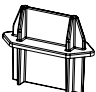






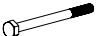



# LIST OF PARTS

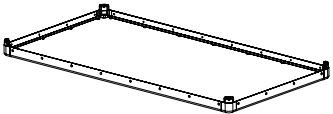
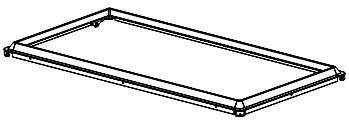
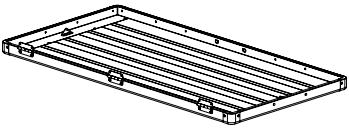
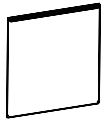
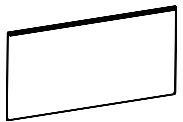
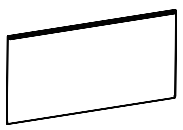


Incorrect unboxing may result in personal injury and product damage.

In the unboxing section of the manual, each step indicates the parts and quantities to be removed for that step.

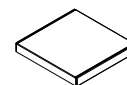
After unboxing the package, it is necessary to sort and dispose of the components (marked with black blocks, eg: **a**) in compliance with the local regulations of your state, city and county.

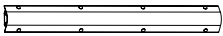

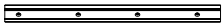

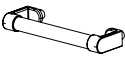

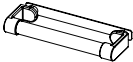


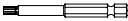

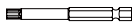

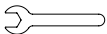
	REF	PART NAME	QTY
<b>a</b>		Corner insert	4
<b>b</b>		Wing thumb nut M4	4
<b>c</b>		Washer	8
<b>d</b>		Spacer	4
<b>e</b>		Nail washer	4
<b>f</b>		Clip spacer	4
<b>g</b>		Wing thumb screw M6x25	4
<b>h</b>		Bolt	4
<b>j</b>		Corner cover	4

Parts (marked with blue blocks, eg: **A** ) are essential for assembling the product. Place these parts on cardboard or another soft surface to prevent scratches on the painted surface when unboxing.



	REF		PART NAME	QTY
<b>A</b>			Base plate & frame	1
<b>B</b>			Top frame	1
<b>C</b>			Lid	1
<b>D</b>			Side panel	2
<b>D1</b>			Front panel	1
<b>D2</b>			Back panel	1
<b>G</b>			Short base press	2
<b>H</b>			Long base press	2

# Accessory box



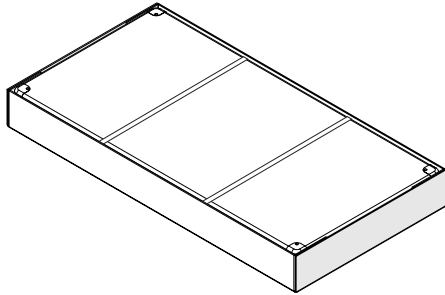
REF	PART NAME	QTY	REF	PART NAME	QTY
<b>E</b>	 Pillar	4	<b>L</b>	 Swivel caster	4
<b>F</b>	 Pillar press	4	<b>L1</b>	 Fixed support	4
<b>I</b>	 Handle	1	<b>P</b>	 Torx Allen key (T25)	1
<b>J</b>	 Handle washer	1	<b>P1</b>	 Torx Allen key (T30)	1
<b>N'</b>	 M5x12 Dome head torx screw (T25)	2	<b>Q</b>	 Torx bit (T25)	1
<b>O</b>	 M5 Lock washer	2	<b>Q1</b>	 Torx bit (T30)	1
<b>K</b>	 Gas spring	2	<b>R</b>	 Wrench 12mm	1

Please note that the number of fasteners provided depends on the size of the box you have purchased.

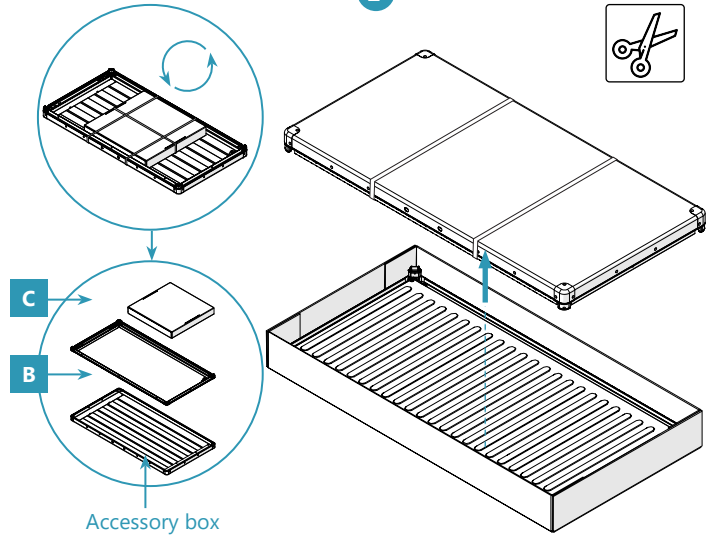
REF	PART NAME	SIZE (US GALLON / IMPERIAL GALLON)			
		134/112	175/146	205/171	281/234
<b>M</b>	 M6x25 Flat head torx screw (T30)	34+3	38+3	40+3	42+3
<b>N</b>	 M5x12 Dome head torx screw (T25)	22+2	22+2	26+2	28+2

# UNBOXING

1

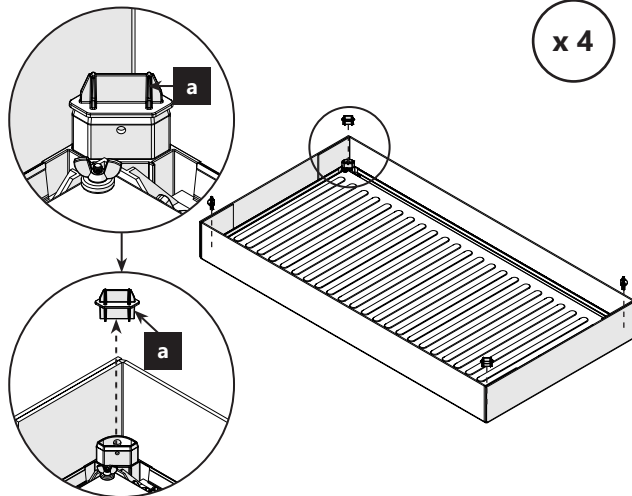


2

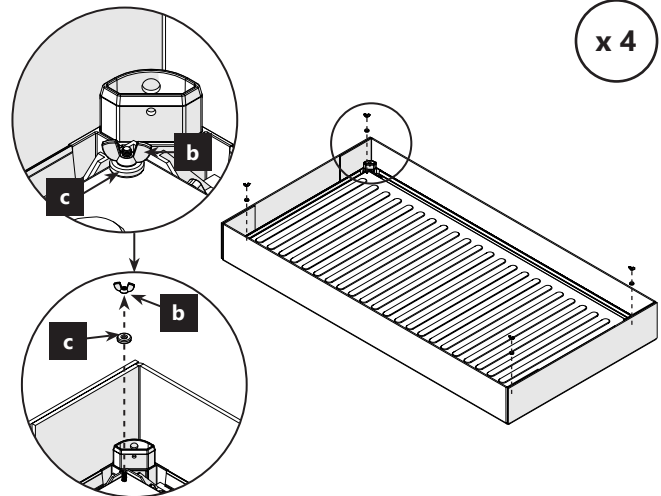


\*Please note that the accessory box is tied under the top cover when cutting the straps.

3

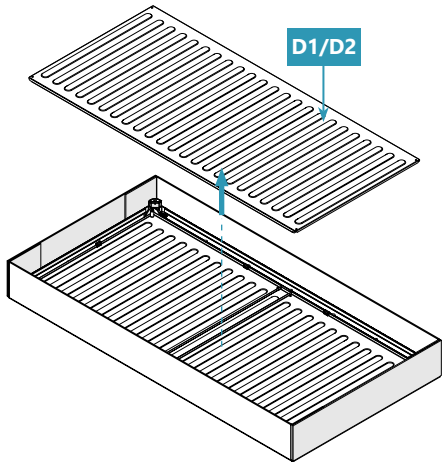


4

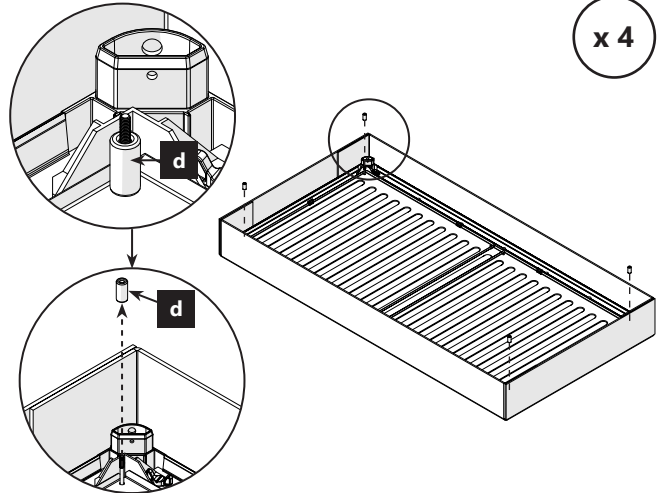




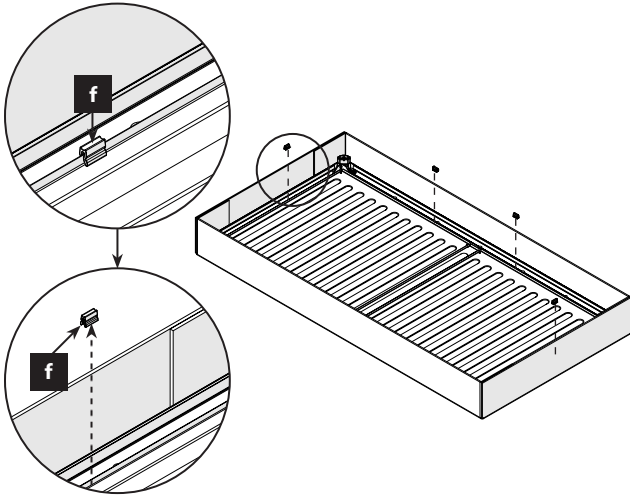
5



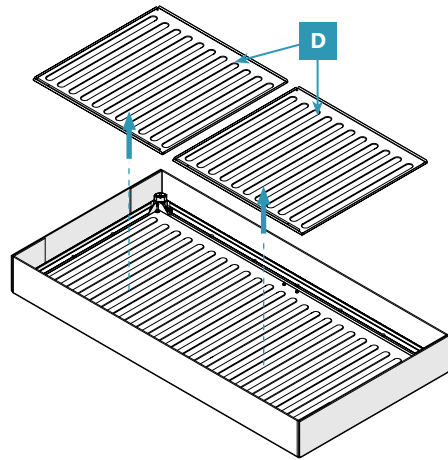
6



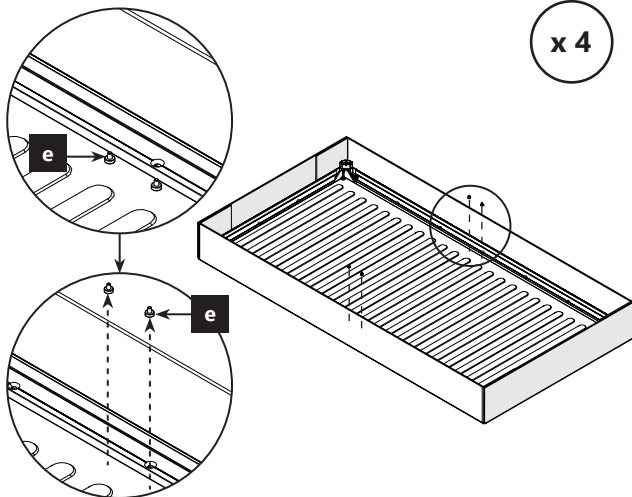
7



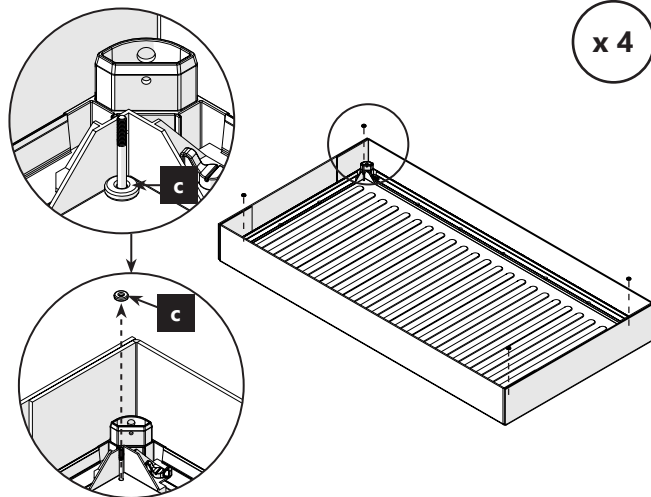
8



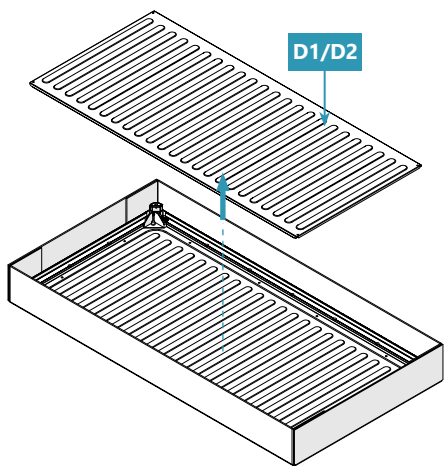
9



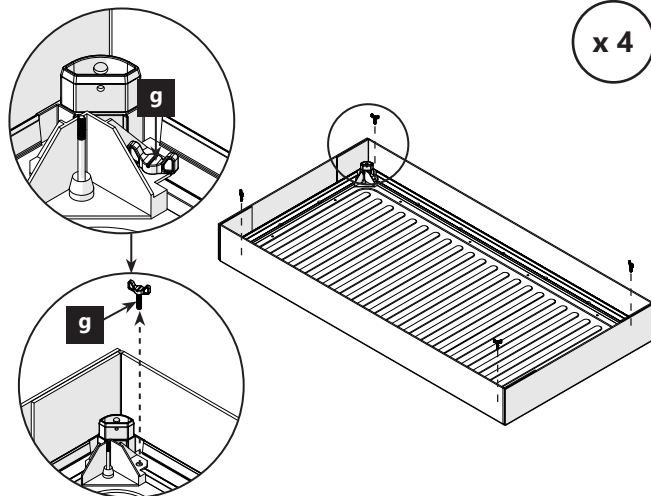
10



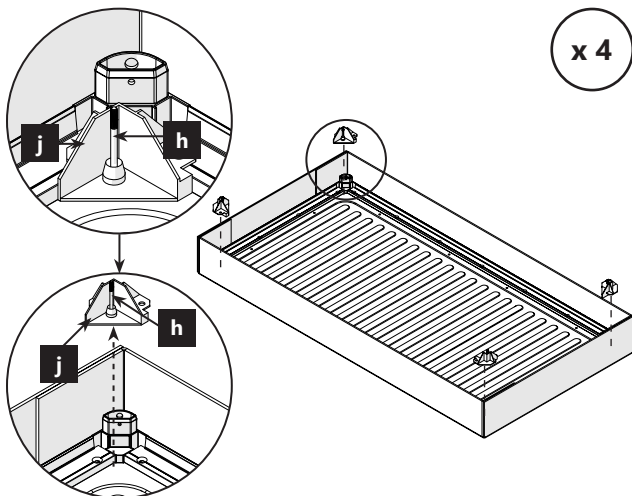
11



12

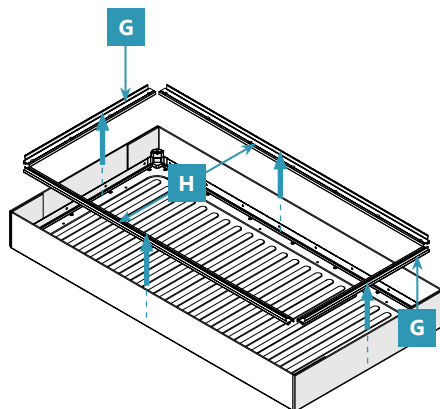


13

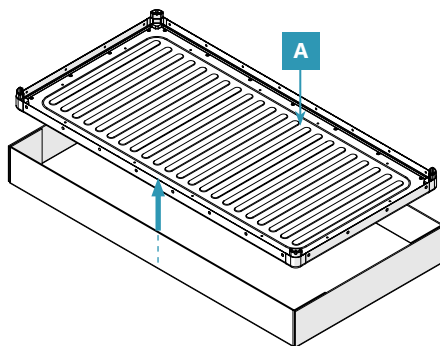


\*Please take out both bolt **h** and corner cover **j** at the same time.

14



15



Unboxing completed, please refer to the INSTRUCTION MANUAL for product assembly.

more to  
enjoy

MIRADOR® is a registered trademark  
of Zhejiang Zhengte Co., Ltd.  
© 2024 Sorara Outdoor Living USA .  
All rights reserved.



Printed on 100%  
post-consumer  
recycled paper

FOLLOW US ON  
WWW.MIRADOROUTDOOR.COM  
@miradoroutdoor @MiradorOutdoor  
@miradoroutdoor @miraadoroutdoor