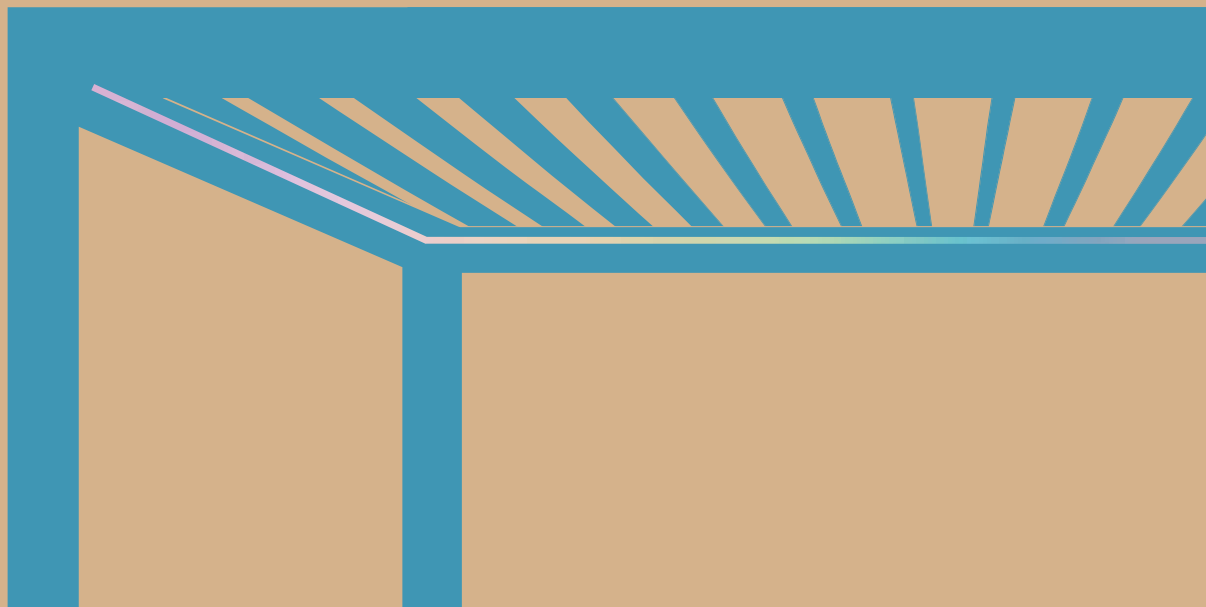


111 LED

INSTRUCTION MANUAL

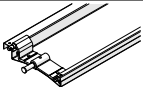
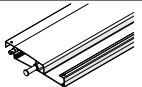


4 PILLARS



THANK YOU FOR PURCHASING OUR MIRADOR 111 LED PERGOLA!

THIS INSTRUCTION MANUAL IS FOR THE FOLLOWING MODELS:

	Single steel	Double aluminum
Louver		
Model name	111 S LED	111 DA LED

This manual will provide you with clear and detailed instructions on how to safely and correctly assemble and maintain your pergola, to ensure it brings you many years of use and enjoyment.

IMPORTANT

Warning: Important safety instructions. It is important for the safety of persons to follow these instructions. Please keep these instructions in a safe place.

This product can be used by children aged from 8 years and above and persons with reduced physical, sensory or mental capabilities or lack of experience and knowledge if they have been given supervision or instruction concerning use of the product in a safe way and understand the hazards involved. Children shall not play with the product. Cleaning and user maintenance shall not be made by children without supervision.

Intended use

This pergola is intended for outdoor domestic use in residential environments, and to protect users from direct sunlight, glare and heat. Any use or modification to the pergola not included in this manual shall be considered as improper use, which may cause considerable danger to users and property and will void the product warranty.

For parts and customer service, please call +1 (877)-506-4777 in the U.S. and Canada (English and Spanish) Monday - Friday: 6:30 am - 4:30 pm, Saturday – Sunday: 8:30 am – 4:30 pm, Pacific Time. Or email: support@miradoroutdoor.com

Digital instruction manual is also available on our official website www.miradoroutdoor.com for your reference.

TABLE OF CONTENTS

- Before Assembling Your Pergola	3
- Important Safety Advice	5
- Technical Data	8
- List of Parts	9
- Assembly	12
- Operating Your Pergola	36
- Problem Solving, Care & Maintenance	39
- Warranty & Complaints Procedure	41
- Disassembly & Disposal of the Product	42
- Certification Information	43

BEFORE ASSEMBLING YOUR PERGOLA

WARNING: Important safety instructions. Follow all instructions, since incorrect assembly can lead to severe injury.

Make sure you have all the tools required for assembling your pergola:

In order to assemble your pergola safely and correctly, please ensure you have access to the following tools and accessories, all of which are not provided.



Hard hat



Protective gloves



Box cutter



Tape measure



Leveler



Phillips screwdriver



Cordless screwdriver



Hexagonal spanner/
wrench set



Hammer drill



Hammer



2 step ladders



Scissors

Check to ensure there are no missing parts:








Before you begin assembly, please check that you have all the parts required to assemble your pergola. Please also carefully check that the quantity of parts match with that of the model you have purchased.

If any parts are missing, please refer **Warranty & Complaints Procedure** to contact customer service before beginning the assembly.

Prepare the parts you will need for each step:

In the **Assembly** section of the manual, each step indicates the necessary parts and quantities required to complete the step. We recommend that you prepare the parts you will need for each assembly step. Doing this will save you time and effort during assembly. If possible, place the parts on cardboard or other soft surface to protect from scratching the painted surfaces.

Select a suitable location:

The ground should be solid and flat	The ground should be level	Sufficient water drainage	Easy access to power	No overhanging trees and powerlines
				
				

Warning:

Most terraces or patios are designed with a slight slope to prevent (rain) water from forming pools or reaching the house or other structures. For the perfect pergola installation, a level concrete surface without such a slope is required. Small pebbles could also prevent the pergola from being safely secured on the ground.

If the pergola is installed on an uneven surface, it may prevent accessory components from working correctly and may void the product warranty.

Prepare a foundation:


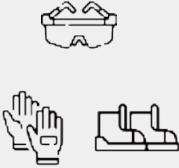
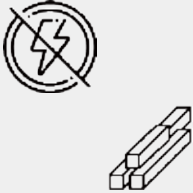
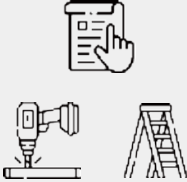

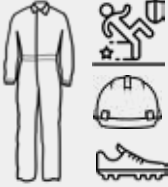

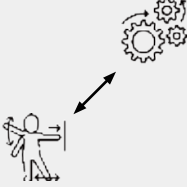







To prepare it, you need to:


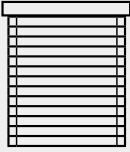

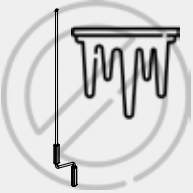









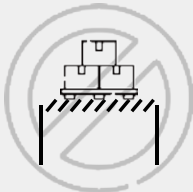

- check for underground pipes and cables (Call 811 before you dig if you live in the USA)
- check with your local authorities regarding any building permits that may be required
- contact a reliable contractor to install a concrete base if you don't have one

Do not assemble the pergola on sandy, muddy or loose soil, as the stakes do not have the sufficient anchorage to be installed in these types of soil.

IMPORTANT SAFETY ADVICE




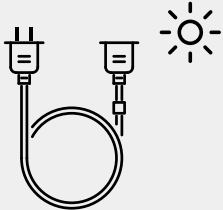
For the safety of all persons assembling and using the pergola, it is important to follow the safety guidelines below.

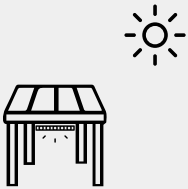

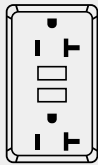
<p>The pergola must be positioned and fixed on flat level surface.</p>	<p>Always wear appropriate work shoes, gloves and eye protection when working.</p>	<p>Work well away from power lines, particularly when handling metal parts.</p>	<p>If using power tools or a ladder, always follow the manufacturer's safety instructions.</p>	<p>Make sure the pergola complies with local building regulatory codes.</p>
				
<p>Working at heights can be dangerous. Always wear protective clothing to prevent injury in the event of a fall.</p>	<p>Only use ladders and scaffolding with a sufficiently high load bearing capacity.</p>	<p>Keep clothing and body parts away from the pergola to prevent them from getting caught in the moving parts.</p>	<p>Foliage or other foreign objects on the roof and in the guide rails should be removed regularly, to prevent damage to the pergola.</p>	<p>Only use replacement parts that are approved by the manufacturer.</p>
				
<p>Put the louvers into the vertical position during snowfall or wind to avoid damage.</p>	<p>Make sure all electrical connections are disconnected from the mains during assembly.</p>	<p>Please recycle packaging where possible.</p>	<p>Electrical installation may only be carried out by certified personnel according to the applicable regulation (e.g. VDE 100 for Europe).</p>	<p>Mirador 111 LED pergolas should only be connected to power sources that have been installed by a licensed electrical contractor.</p>
				

<p>After prolonged use we recommend you check all the fittings are tightened securely.</p>	<p>Installation of non-Mirador branded accessories will void the product warranty and can damage the operating mechanism.</p>	<p>Do not climb on the roof.</p>	<p>Do not start the roof mechanism in case of frost or ice build-up, as it may damage the drive of the louvers .</p>	<p>Do not attempt to assemble the product if you are tired, or after consuming alcohol.</p>
	 <p>Mirador®</p>			
<p>Dispose of all plastic bags safely. Keep them out of the reach of children.</p>	<p>Keep children and pets away from the assembly area until the work is completed.</p>	<p>Do not attempt to assemble the pergola in windy or wet conditions.</p>	<p>Hot items such as recently used grills, fire pits etc. must not be stored near the power cord of the pergola.</p>	<p>Hanging objects on the pergola may cause serious damage and is not permitted.</p>
				
<p>Prior to each operation, visually check the pergola for damage. If damage is visible, stop using it immediately and contact authorized personnel to repair the damage.</p>	<p>If the supply cord is damaged, it must be replaced by the manufacturer, its service agent or similarly qualified people in order to avoid a hazard.</p>	<p>Do not touch moving parts during operation.</p>	<p>Do not place anything on the roof.</p>	<p>Changes to the design or configuration of equipment may not be made without consulting the manufacturer or authorized representative.</p>
				

WARNING:

When using outdoor use portable lighting products, basic safety precautions should always be followed to reduce the risk of fire, electric shock, and personal injury, including the following:

WARNING	WARNING	WARNING	WARNING
Do not mount or support flexible light in a manner that can damage the outer jacket or cord insulation.	Risk of Fire and Electric Shock. Uncoil flexible light prior to plugging in. Do not install near flammable liquids.	Material may become brittle when cold. Do not install where it may be stepped on or subject to physical damage.	Use only outdoor extension cords, such as type SW, SOW, STW, STOW, SJW, SJOW, SJTW, or SJTOW. This designation is marked on the wire of the extension cord.
			

CAUTION	CAUTION	CAUTION
Suitable for outdoor use.	Risk of Electric Shock. Do not use with extension cord near water or where water may accumulate.	For use only on GFCI protected circuits.
		

TECHNICAL DATA

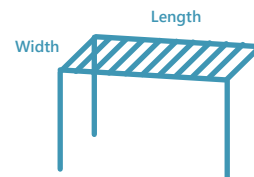
Pergola	Resistance to wind loads	Class 6 (Claimed Beaufort Wind Force Scale 12)
	Resistance to water pocket	Class 1
	Mechanical endurance	Class 1
Control Box	Ingress Protection Rating	IP54
	Input Voltage	24V DC
	Output Voltage	24V DC
Light LED Strip	Input Voltage	24V DC
	Ingress Protection Rating	IP68
Power supply	Input Voltage	110 to 240V
	Ingress Protection Rating	IP67
	Maximum Power	250VA
Control	Control Method	Remote Control
	Operate Frequency	600-2700MHz
	Radio Output Power	10W


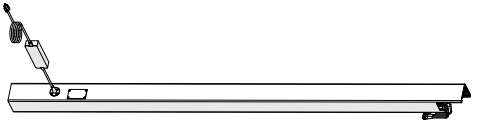




LIST OF PARTS

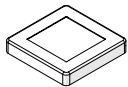

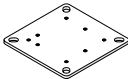

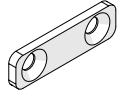

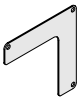
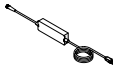
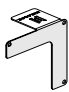



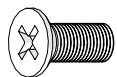



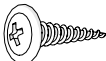
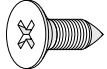
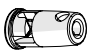


Please carefully check that the quantity of parts matches with that of the model you have purchased.

PLEASE NOTE that the anchor bolts provided may not be suitable for your chosen installation location. Please check before proceeding.

DO NOT USE AN IMPACT CORDLESS SCREW DRIVER TO ASSEMBLE THE PERGOLA. USE A STANDARD CORDLESS SCREW DRIVER ON THE BASE SETTING. ALL HOLES HAVE BEEN PREDRILLED OR FITTED FOR ASSEMBLY



REF	Part Name	Length		
		3m/10ft.	3.6m/12ft.	4m/13ft.
A	 Standard corner pillar	3	3	3
A2	 Cabled corner pillar	1	1	1
B1	 Side beam 1	1	1	1
B2	 Side beam 2	1	1	1
C	 End beam	2	2	2
H	 Crank	1	1	1


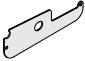



	REF	Part Name	3m/10ft.	3.6m/12ft.	4m/13ft.		REF	Part Name	3m/10ft.	3.6m/12ft.	4m/13ft.
I		Foot plate cover	4	4	4	X		Hex key (small)	1	1	1
J		Foot plate	4	4	4	Y		Hex key (large)	2	2	2
M		Shaft support cover	38+2	46+2	50+2	Z		12mm SDS Plus Drill Bit	1	1	1
N		Corner pillar cover	3	3	3	Z4		Power supply	1	1	1
N2		Corner pillar cover (logo)	1	1	1	Z5		LED light strip	2	2	2
O		Screw ST5.65x 45mm	24+2	24+2	24+2	Z6		Remote control	1	1	1
P		Screw M5x12mm	76+4	92+5	100+5	Z7		Antenna	1	1	1
Q		Screw 4.2x25mm	76+4	92+5	100+5	Z8		Waterproof tape	1	1	1
R		Screw 5.5x19mm	12+2	12+2	12+2	Z9		Screw ST4.8x 13mm	4	4	4
V		Crank coupler	1	1	1	Z10		Spare plastic pin	0+10	0+10	0+10
W		Anchor bolt M8x80mm	16	16	16						

LOUVER RELATED VARIATIONS






The type of louver provided depends on the model of pergola you have purchased:

Model	111 DA LED	111 S LED
Louver type	Double aluminum	Single steel

Double aluminum

	REF	Part Name	3m/10ft.	3.6m/12ft.	4m/13ft.
D		Louver	19	23	25
K		Louver end cap	37+2	45+2	49+1
L		Louver end cap with control arm	1	1	1
G		Connecting strip	1	1	1
S		Cotter pin	19+3	23+3	25+4

Single Steel

	REF	Part Name	3m/10ft.	3.6m/12ft.	4m/13ft.
D		Louver	19	23	25
K		Louver end cap	37+2	45+2	49+1
L		Louver end cap with control arm	1	1	1
G		Connecting strip	2	2	2
S		Cotter pin	38+6	46+7	50+8

ASSEMBLY

1. Set up the corner pillars **A**



Assembly Video

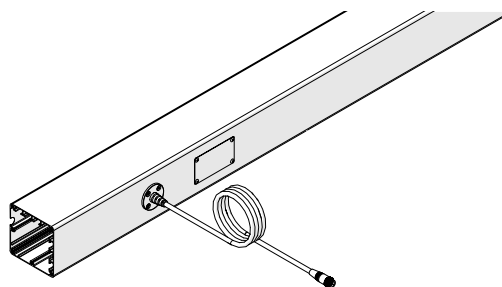
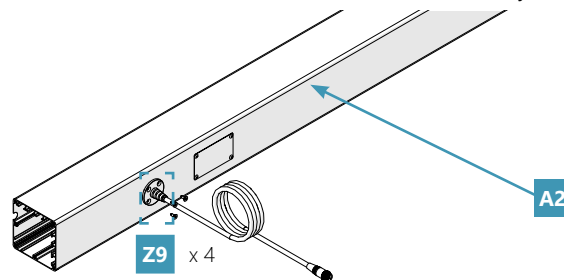
1A

Fix the cable flange with screws **Z9** onto the cabled corner pillar **A2**, and make sure the cable is hanging outside.

Z9 x 4



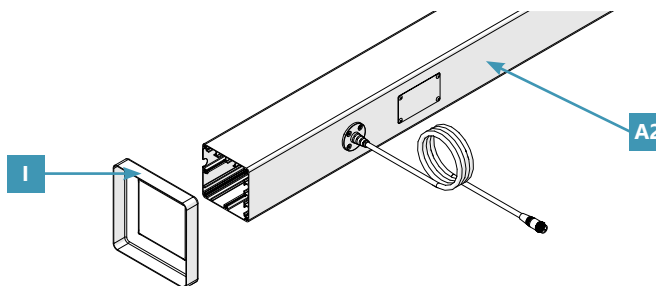
A2 x 1



1B

Slide the foot plate cover **I** with its wide opening facing outwards on the straight end of the corner pillar **A2**.

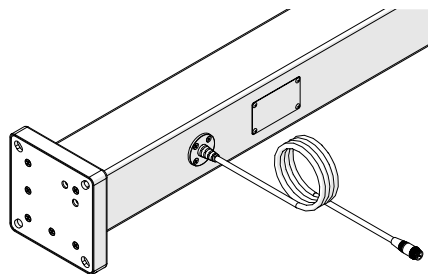
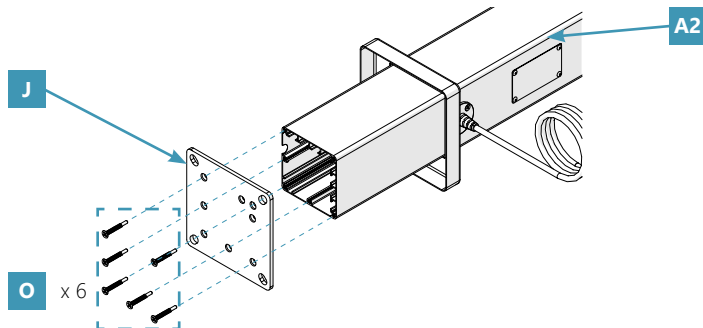
I x 1



1C

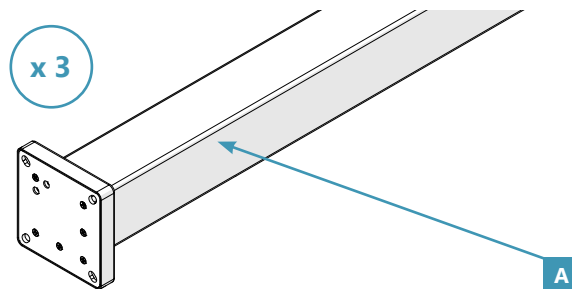
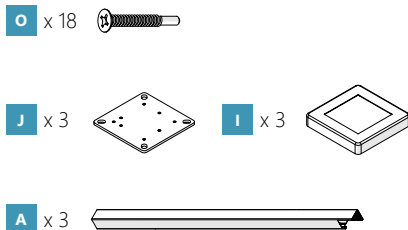
Push the foot plate **J** against the straight end of the cabled corner pillar **A2**. It only fits in one direction and in one position. If in doubt, rotate it until it fits easily.

Screw in the foot plate **J** with 6 screws **O** using a cordless screwdriver.



1D

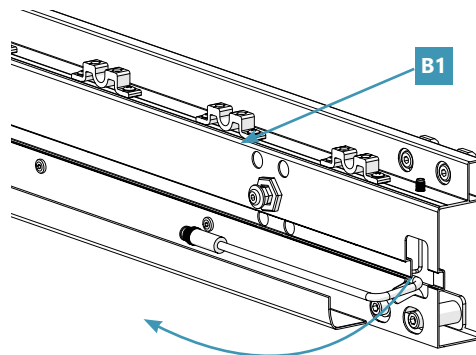
Repeat steps **1B** – **1C** to assemble the foot plates **J** of the 3 standard corner pillar **A**.



2. Connect the side beam with gearbox B1 to the corner pillars A and A2

2A

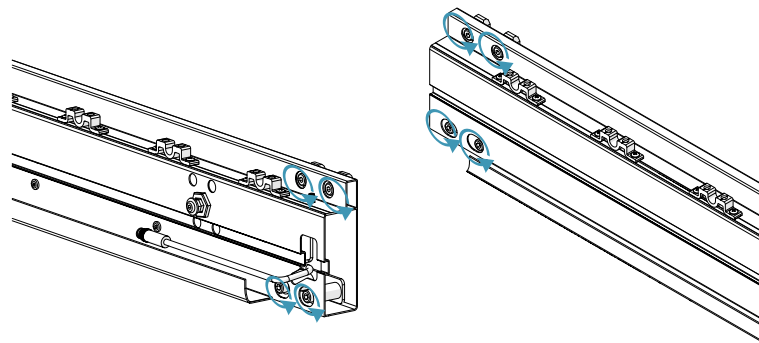
Pull out the cable at the end of the with gearbox **B1** through the small cut-out.



B1 x 1 

2B

Using a hex key (large) **Y**, slightly loosen the 8 built-in screws at the both ends of the with gearbox **B1** (4 on each side).

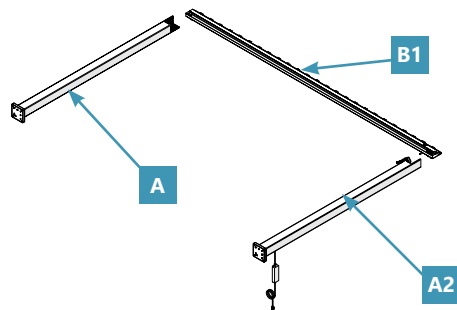
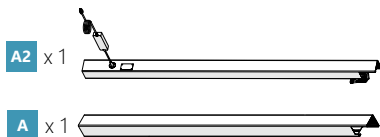


Y x 1 

B1 x 1 

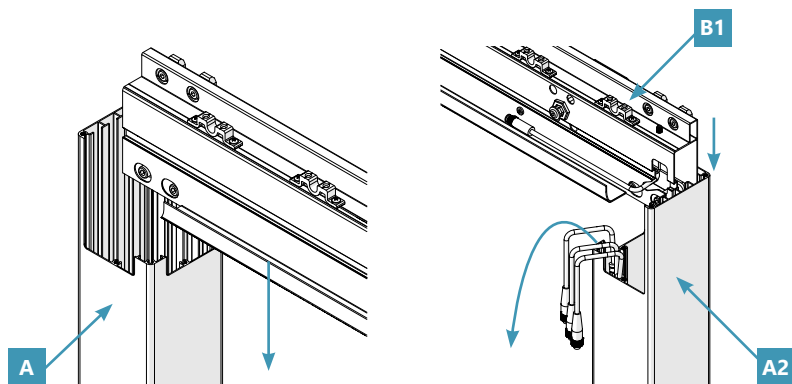
2C

Lay two corner pillars (**A** & **A2**) and place the side beam with gearbox **B1** on the floor as shown in the picture.



2D

Side beam with gearbox **B1** into the grooves of the corner pillar (**A** & **A2**) in such a way that the slot nuts of the side beam with gearbox **B1** interlock with the slots in the corner pillar (**A** & **A2**).

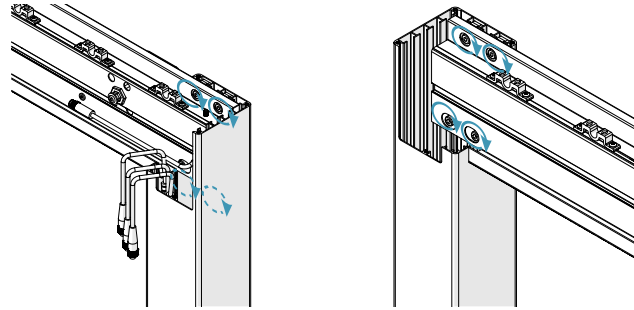
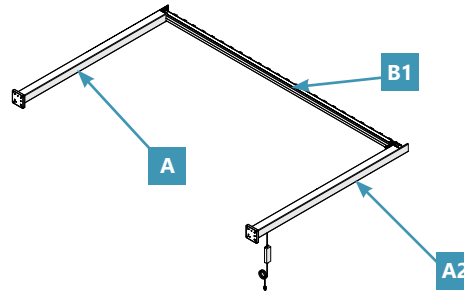


Warning:

Pull the cables out of the cabled corner pillar. Take care not to crush or squeeze the cables.

2E

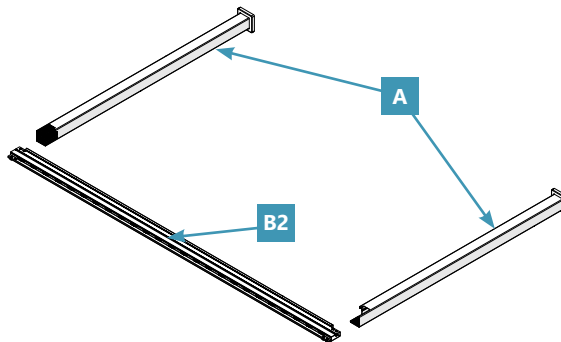
Tighten the 8 screws (4 on each side) with the hex key **Y** .

**Y** x1

3. Connect the side beam without gearbox **B2** to the remaining two regular corner pillars **A**

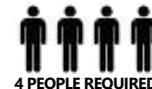
3A

Repeat steps **2A** - **2E** to connect the beam without gearbox **B2** with the remaining two corner pillars **A** .

Y x1**B2** x1**A** x2

4. Slide in the two end beams **C**

This phase requires four persons and at least two stepladders.
Make sure that the stepladders are standing securely to avoid falling.



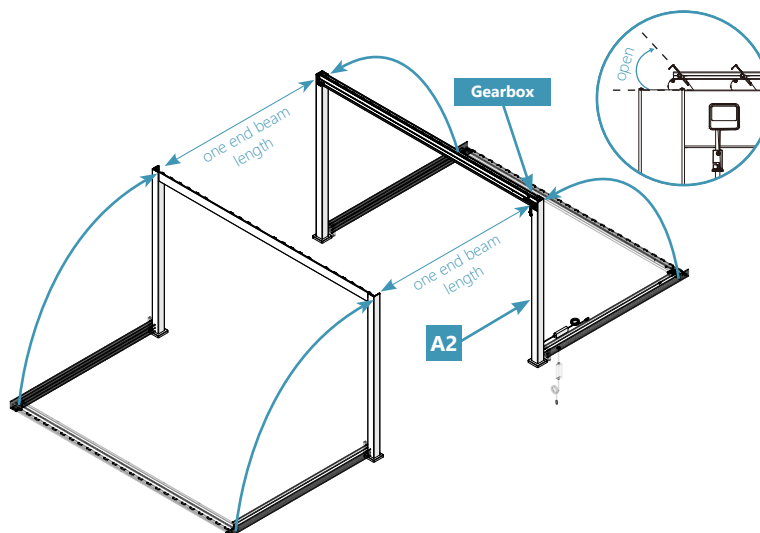
Only use ladders suitable for this kind of assembly work.

4A

Stand the two structures built during steps 2 and 3 in an upright position, and place them at one end beam length away from one another. Make sure that one person is supporting each corner leg (**A** & **A2**) to prevent the structures from falling.

Reminder:

When determining the installation direction of the product, please consider the opening direction of the louvers as well as the desired sunshade effect.



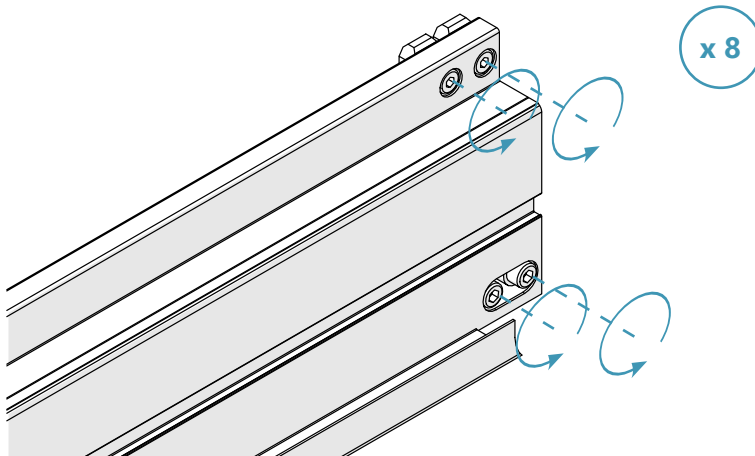
4B

Slightly loosen the 8 built-in screws at both ends of the end beam **C** .

Y x 1

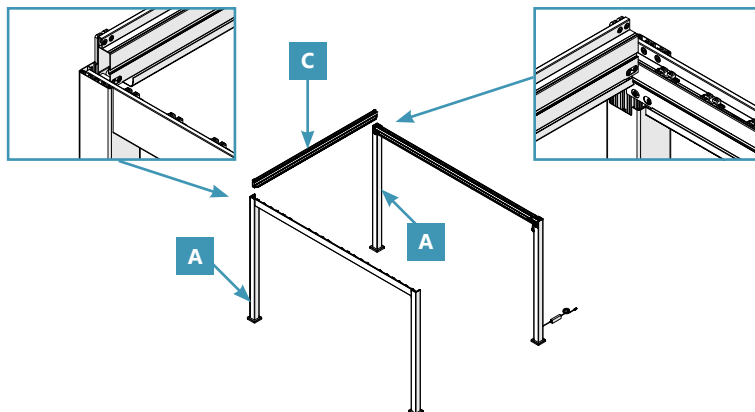


C x 1



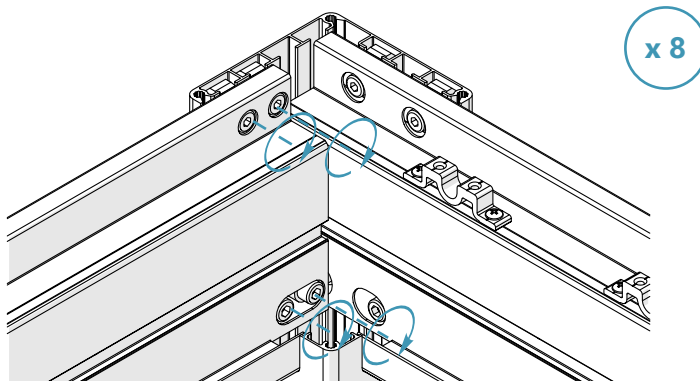
4C

Slide the slot nuts of the end beams **C** from above into the slots of the corner pillars **A**.



4D

Once the beam is in the correct position, tighten the 8 built-in screws on both ends using the hex key **Y** provided.



Y x 1



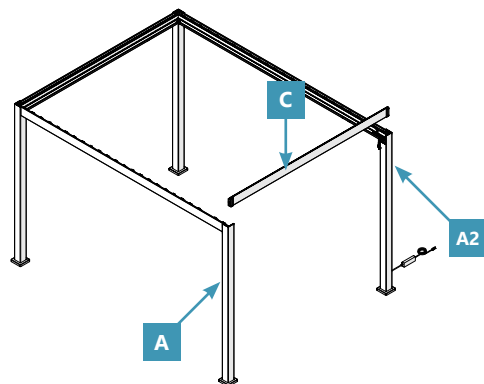
4E

Assemble the other end beam **C** by repeating steps **4B** - **4D**.

Y x 1



C x 1



5. Install the LED strip lights

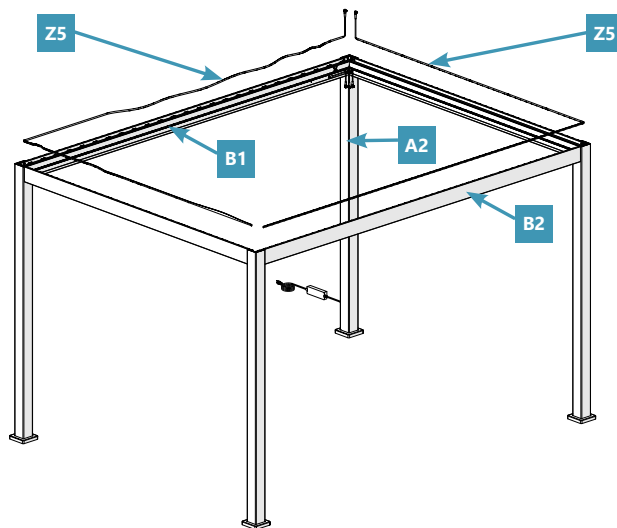
READ AND FOLLOW ALL SAFETY INSTRUCTIONS

- Do not cover this product as the covering may cause the flexible light to overheat and melt or ignite.
- Do not operate with the flexible light tightly coiled.
- Do not puncture, cut, shorten, or splice the flexible lighting.
- Do not route the cord or flexible lighting through walls, doors, windows or any like part of the building structure.
- Do not use if there is any damage to the light or cord insulation. Inspect periodically.
- Do not submerge flexible light in liquids, or use the product in the vicinity of standing water or other liquids.
- Secure this flexible light using only the hangers or clips provided. Do not secure this product or its cord with staples, nails, or like means that may damage the insulation or permanently attach to the building structure.
- Do not subject flexible lighting to continuous flexing.
- (For extendible units) Do Not Exceed The Length in Feet Permitted By The Marking.

SAVE THESE INSTRUCTIONS

5A

Place both LED light strips **Z5** along the grooves on the side beams (**B1** & **B2**) and end beams **C** , as shown in the figure. Put the connection socket of the LED light strip **Z5** close to the cabled corner pillar **A2** , and put the end of the LED light strip **Z5** into the top of the corresponding corner pillar if needed.

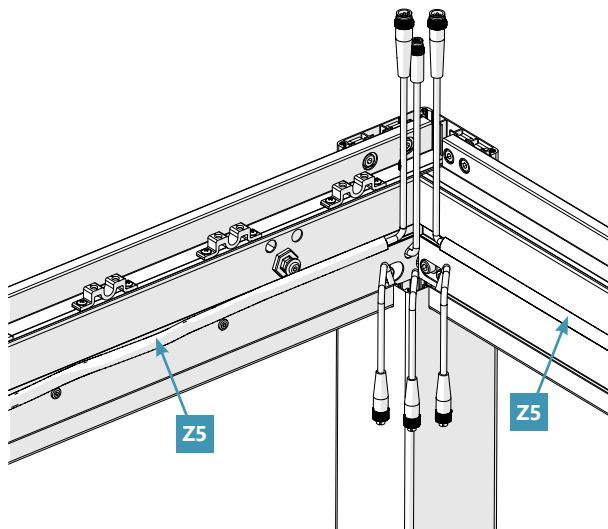


Z5 x 2



5B

As shown in the figure, press both LED light strips **Z5** firmly into the light strip slots one by one to ensure they are fitted evenly.



Z5 x 2



6. Connect the power cables of the LED strip lights Z5

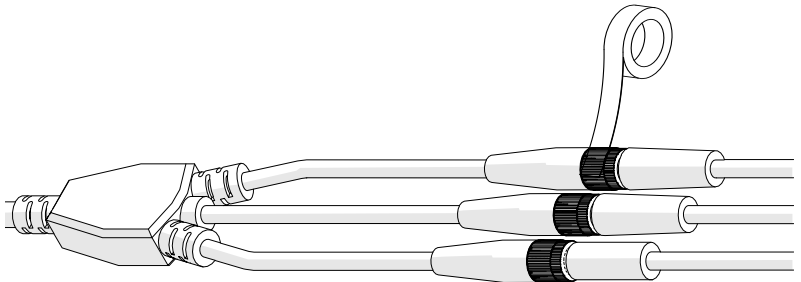
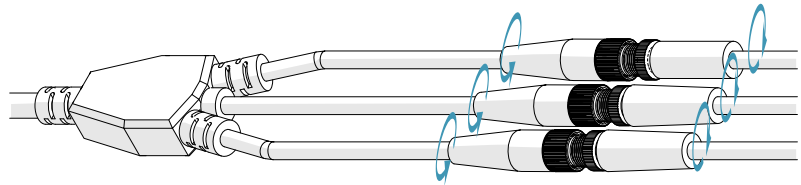
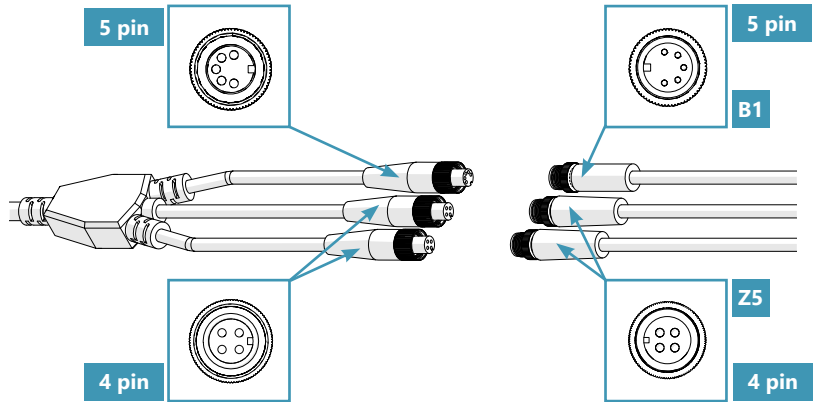
6A

Connect the cable connector (5-pin) of the side beam with gearbox **B1** into the corresponding connector socket on the top of the cabled corner pillar **A2**. Then tighten the waterproof connector.

Connect the cable connector (4-pin) of the LED light strip **Z5** into the corresponding connector socket on the top of the cabled corner pillar **A2**. Then tighten the waterproof connector (there is no need to differentiate the plug sockets of the two light strips as they are the same).

Tip:

It is recommended to wrap waterproof adhesive tape on the waterproof connectors to prolong their service life.



Z5 x 2



Z8 x 1



B1 x 1

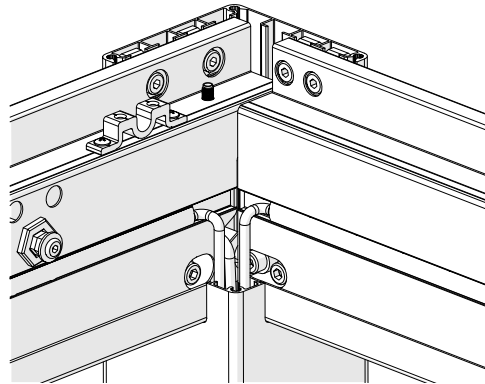


A2 x 1



6B

Carefully tuck all connected cables and connectors at the top of the structure back into the corner pillar.



7. Check the alignment of the frame and the distance between the corner pillars

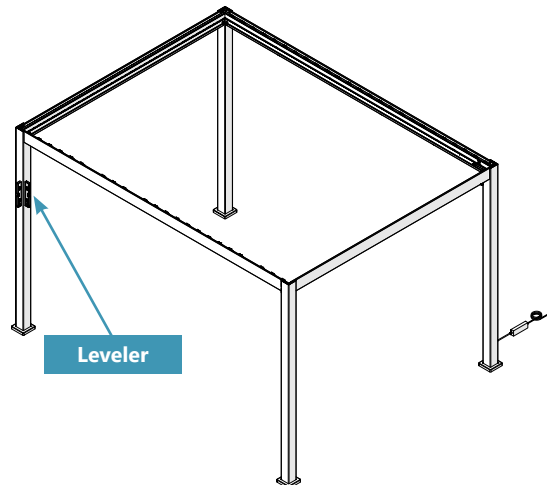
You are now almost done assembling the main frame of the pergola. Please double check to ensure all beams and pillars have been assembled and fitted correctly. You may have to unscrew certain bolts during this step.

You will also need a tape measure and a leveler to complete this step.

7A

Choose one of the corner pillars (**A** & **A2**) and work from this pillar. Choose this pillar carefully as it will define the final installation location of the pergola.

Use a leveler to measure against both of the inner sides to ensure that the corner pillar is straight and level.

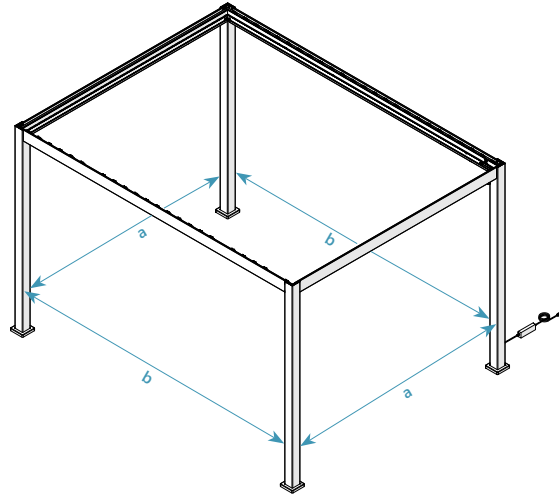


Make sure this corner pillar does not move position during the remaining assembly steps.

7B

Measure the distances between the adjacent corner pillars. Adjust accordingly and ensure the distances match those shown in the opposite figure.

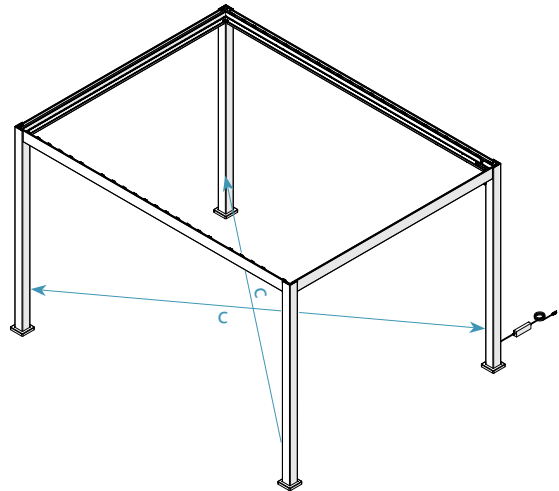
Size (m/ft)	a (mm)	a (inch)	b (mm)	b (inch)
3x3/10x10	2790.5	109.9	2790.4	109.9
3x3.6/10x12	2790.5	109.9	3400	133.9
3x4/10x13	2790.5	109.9	3705	145.9
3.6x3.6/12x12	3400	133.9	3400	133.9
3.6x4/12x13	3400	133.9	3705	145.9



7C

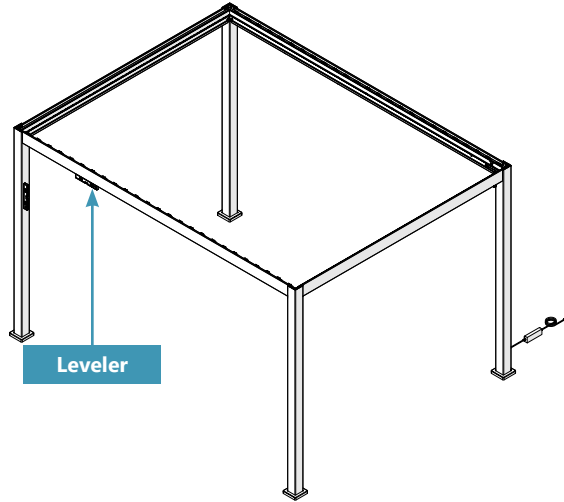
Measure the diagonal distance between the opposite corner pillars. Adjust the other corner pillars accordingly until both diagonal distances are equal. You may have to repeat the above steps after completing the remaining steps.

Size (m/ft)	c (mm)	c (inch)
3x3/10x10	3951.3	155.6
3x3.6/10x12	4403.4	173.4
3x4/10x13	4643	182.8
3.6x3.6/12x12	4813.3	189.5
3.6x4/12x13	5033.4	198.2

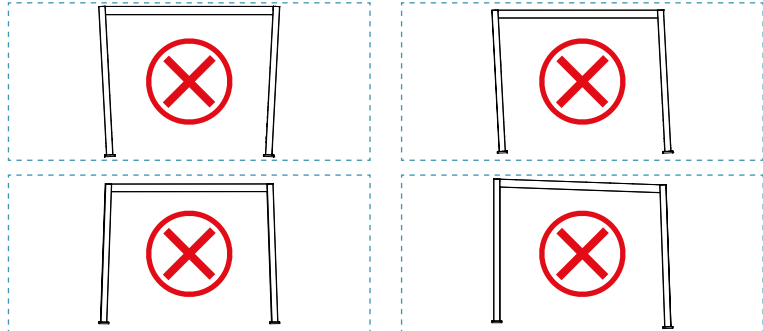


7D

Check that all corner pillars are straight and level using a leveler. If the corner pillars or beams are still not level, this means that your main building surface isn't sufficiently level, and that you will need to raise the corner pillars that are positioned lower than the others. (Contact qualified professional installers if needed.)



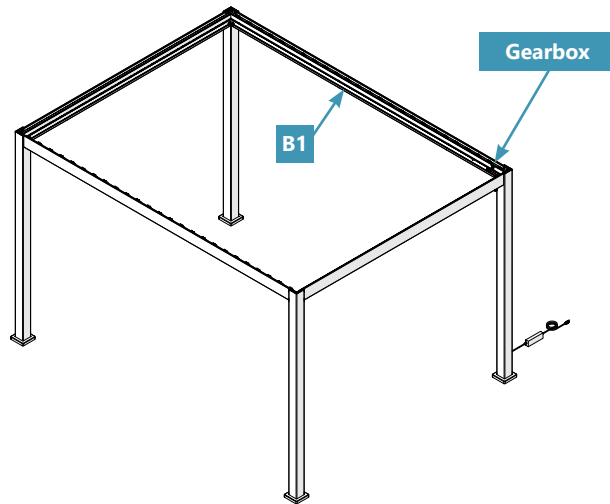
Warning:
If you do not adjust the main structure at this point, you may encounter problems when fitting the roof deck and/or accessories to the frame.



8. Assemble Crank **H**

8A

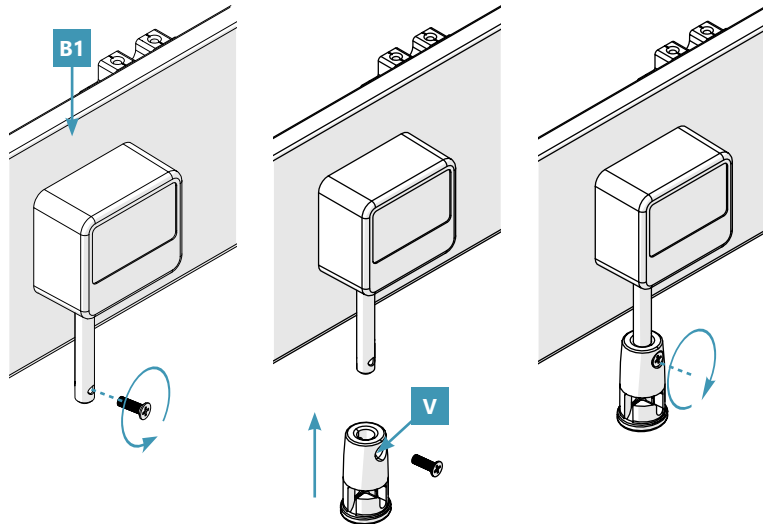
Locate the gearbox on the side beam with gearbox **B1**.



8B

Unscrew and remove the small screw from the crank connector.

Insert the crank coupler into the crank connector and re-insert and tighten the small screw.

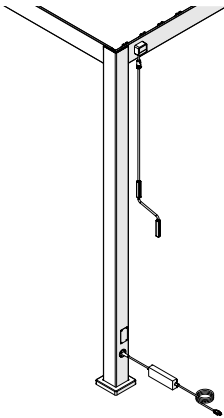
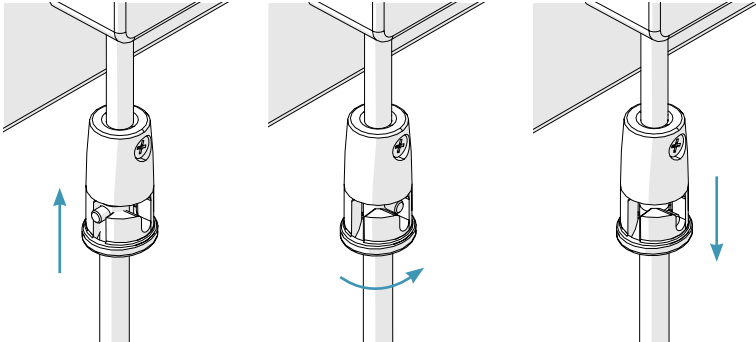
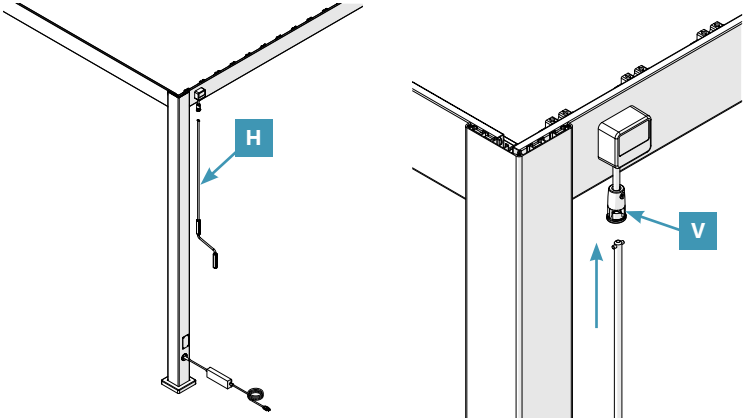


v x1



8C

Insert the end of the crank **H** into the crank coupler **V**, and turn until the crank locks firmly in place.



H x1

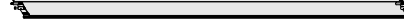


9. Assemble Louvers

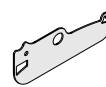
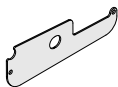
Double aluminum

Single steel

D



K



L

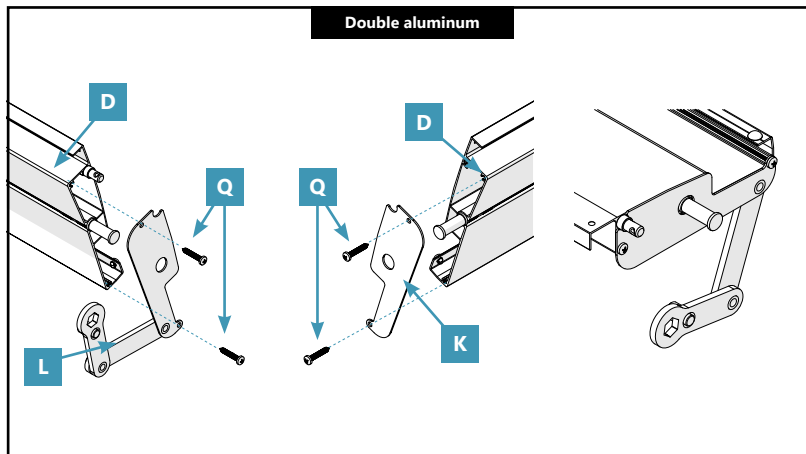


9A

Prepare the driving louver: select one of the louvers **D** to be the driving louver.

Attach the louver end cap with control arm **L** to one end of the driving louver, and attach an louver end cap **K** to the other end of the driving louver. Use two screws **Q** on each side, and fix them firmly using a cordless screwdriver.

Double aluminum



Q x 4



K x 1



L x 1






D x 1

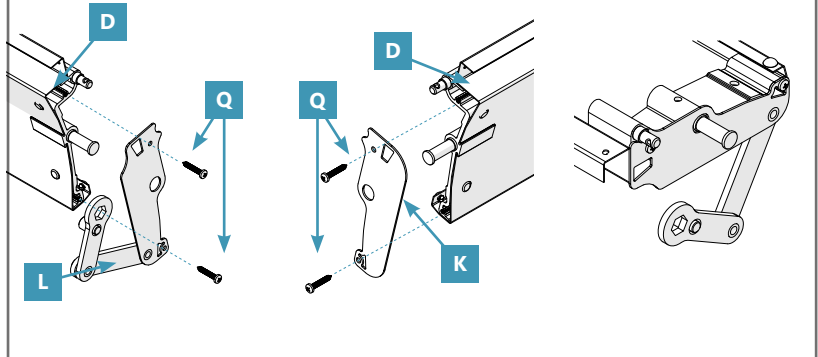


9B

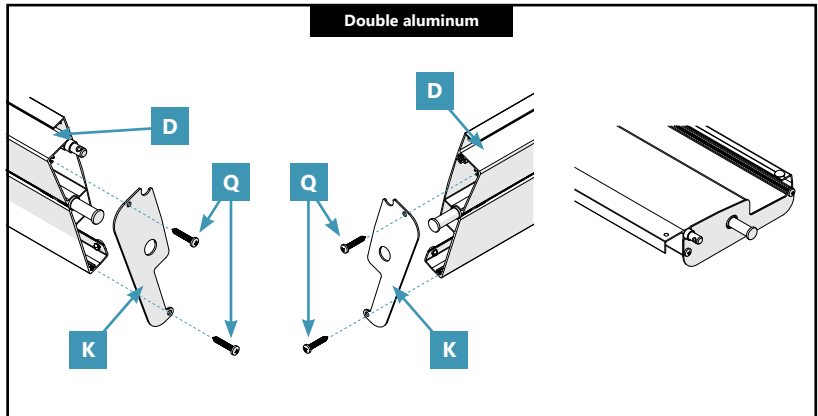
Prepare the regular louvers: attach the louver end caps **K** to each end of the rest of the louvers **D** with two screws **Q** using a cordless screwdriver. Repeat this step for all louvers.

Part \ Length	3m/10ft.	3.6m/12ft.	4m/13ft.
Q 	72	88	96
K 	36	44	48
D 	18	22	24

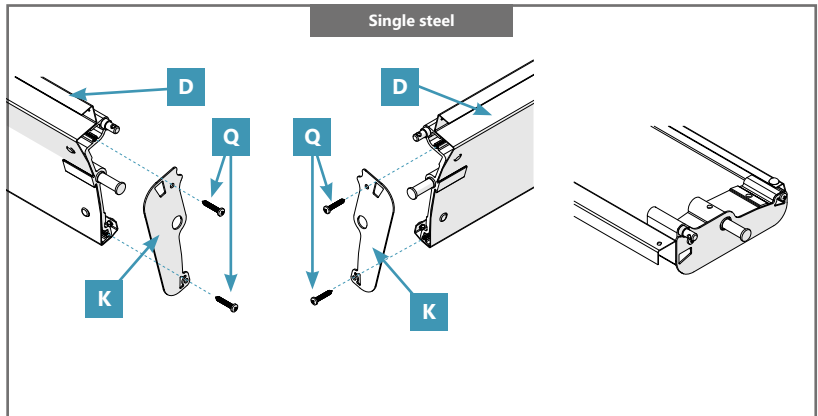
Single steel



Double aluminum



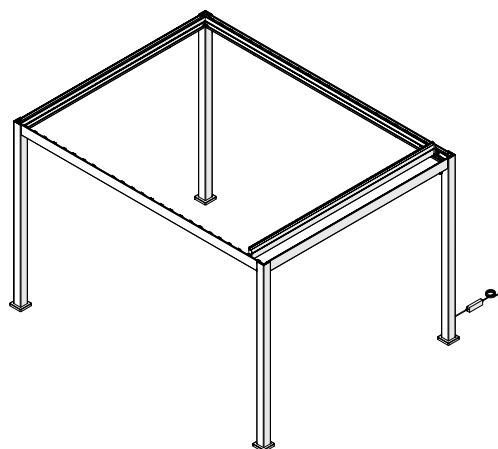
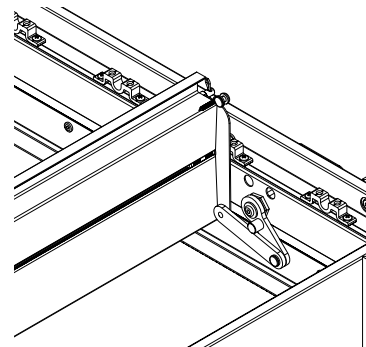
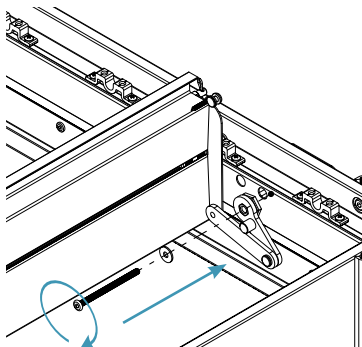
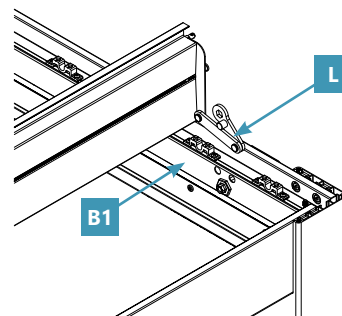
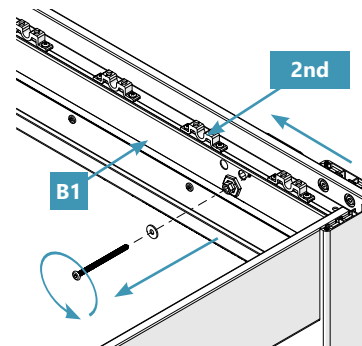
Single steel



9C

Loosen the screw and washer already attached to the beam. Then fix the connecting rod **L** of the driving louver to the side beam with gearbox **B1**, by firmly tightening the same screw and washer, using the hexagon socket key **X**.

Place the louvers **D** on the corresponding louver shaft support on both side beams (**B1** & **B2**), with each louver overlapping the next, and **make sure that the driving louver is placed 2nd from the right**.



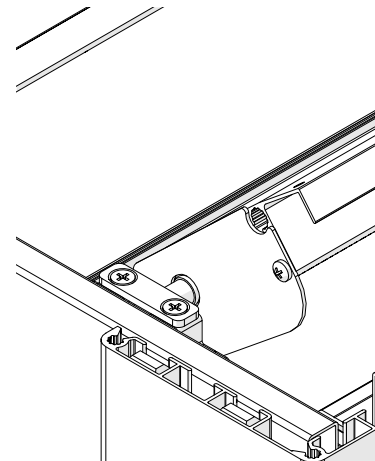
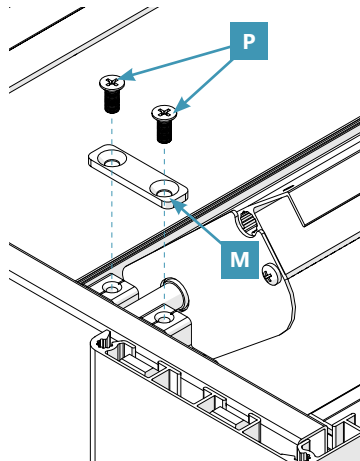
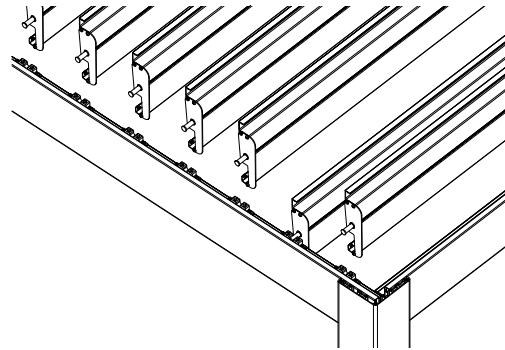
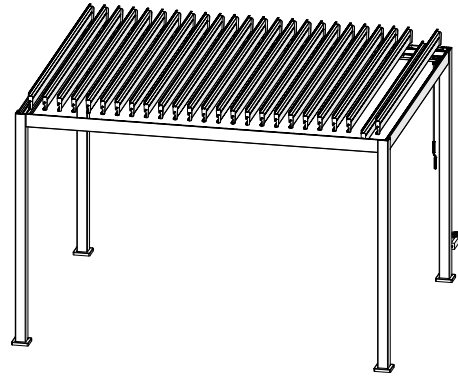
X x1





9D

Place the rest of the louvers into the remaining shaft support brackets.

Secure the louvers **D** in the shaft support brackets by fixing a shaft support cover **M** onto the shaft support brackets on both ends of each louver **D**. Use two screws **P** each and secure them with a cordless screwdriver. Repeat this step for all louvers.



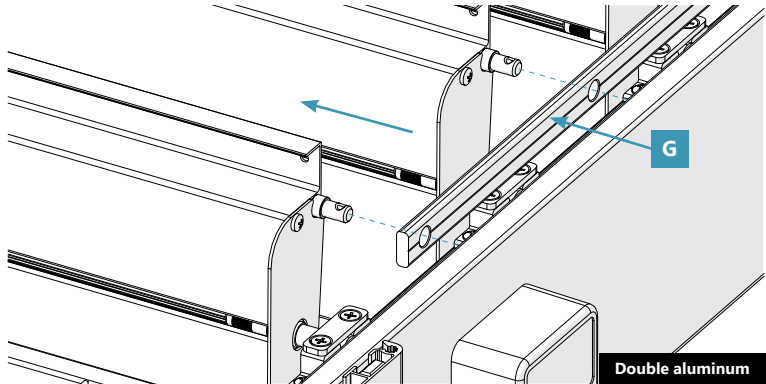
Part \ Length	3m/10ft.	3.6m/12ft.	4m/13ft.
M 	38	46	50
P 	76	92	100

9E

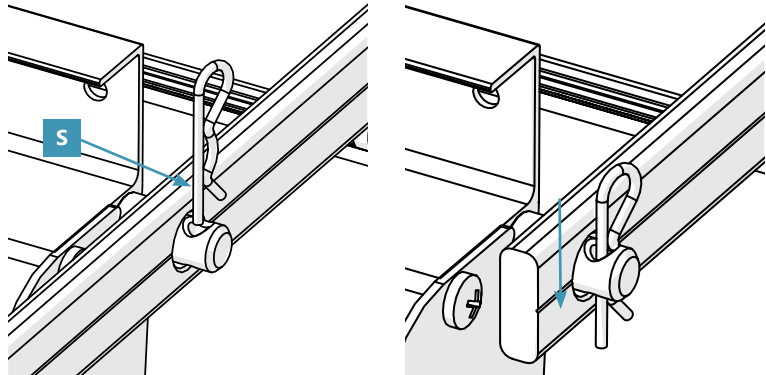
Take the connecting strip **G**. Attach it to each louver fitting each of the holes onto the corresponding bolts of the louvers. Secure every bolt with a cotter pin **S**, inserting it through the small bolt hole. Repeat this step for all cotter pins.



Reminder:



For the single louver model, the connecting strips are on both sides.

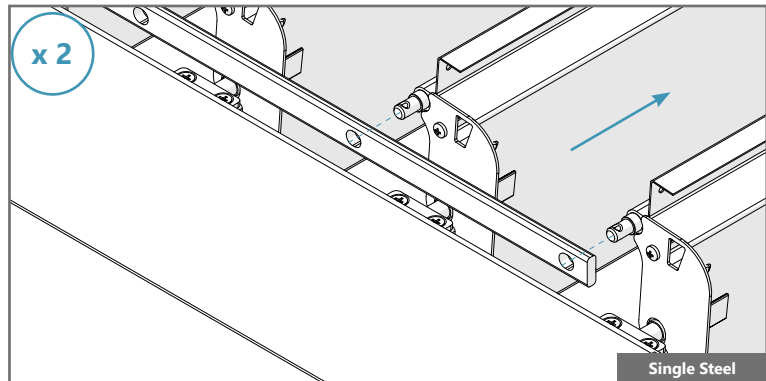


Double aluminum



Double aluminum				
Part \ Length	3m/10ft.	3.6m/12ft.	4m/13ft.	
G 	1	1	1	
S 	19	23	25	

Single Steel				
Part \ Length	3m/10ft.	3.6m/12ft.	4m/13ft.	
G 	2	2	2	
S 	38	46	50	



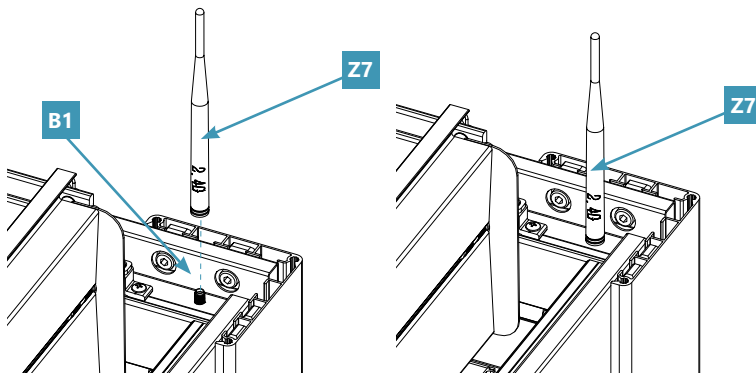
Single Steel

10. Finalize the electric connection and assemble the pillar cover

10A

Assemble the antenna **Z7** on the side beam **B1**.

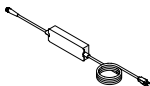
Z7 x 1



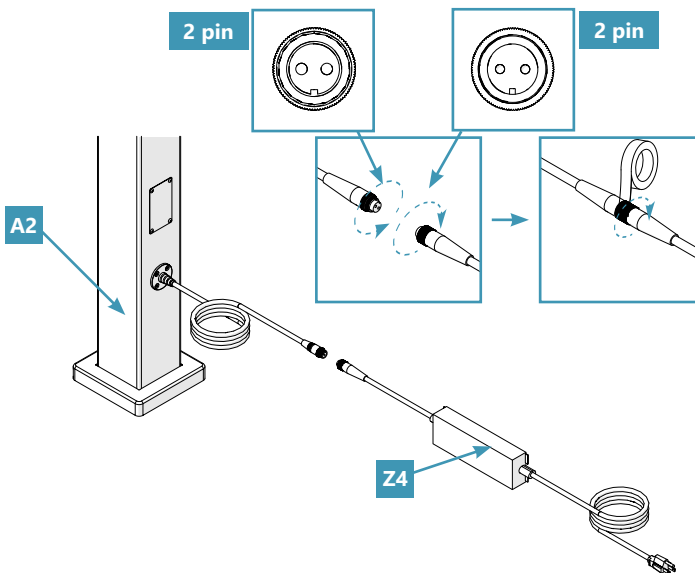
10B

Connect the cable on the base of the cabled corner pillar **A2** to the cable of the power supply adapter **Z4**.
Tighten firmly.

Z4 x 1



Z8 x 1



Tip:

It is recommended to wrap waterproof adhesive tape on the waterproof connectors to prolong their service life.

10C

Fix a pillar cover **N** to the top of each corner with three screws each **R**. Fix them using a cordless screwdriver.



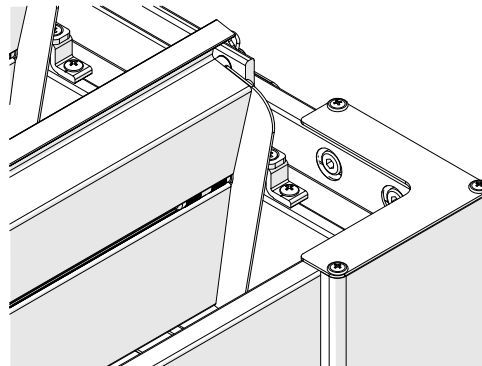
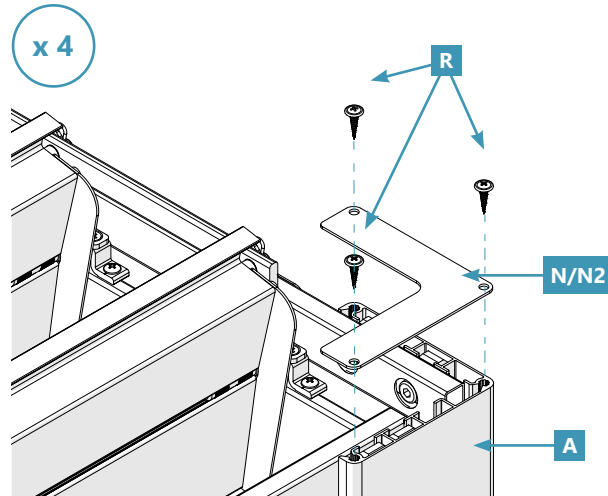
R x 12



N x 3



N2 x 1



11. Secure the corner pillars to the ground

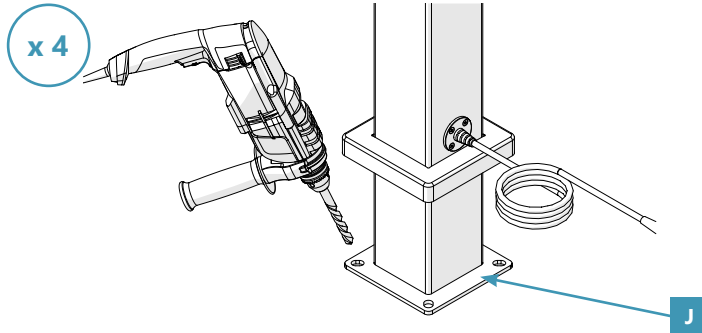
The pergola must be firmly and permanently secured to the ground. If the ground is not level or suitable, please refer to the section "Before assembling your pergola".

11A



To fix the corner pillars (**A** & **A2**) with the four foot plates **J** , drill through each hole with a hammer drill.

Z x 1

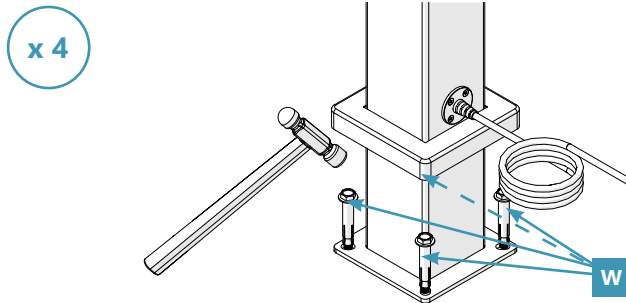


11B



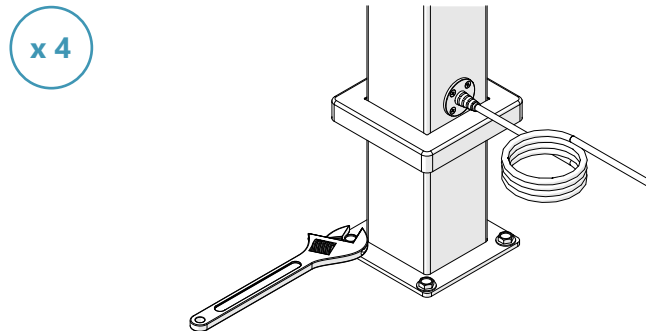
Remove all the debris and dirt. Then firmly insert an anchor bolt **W** into each hole, using a hammer.

W x 16

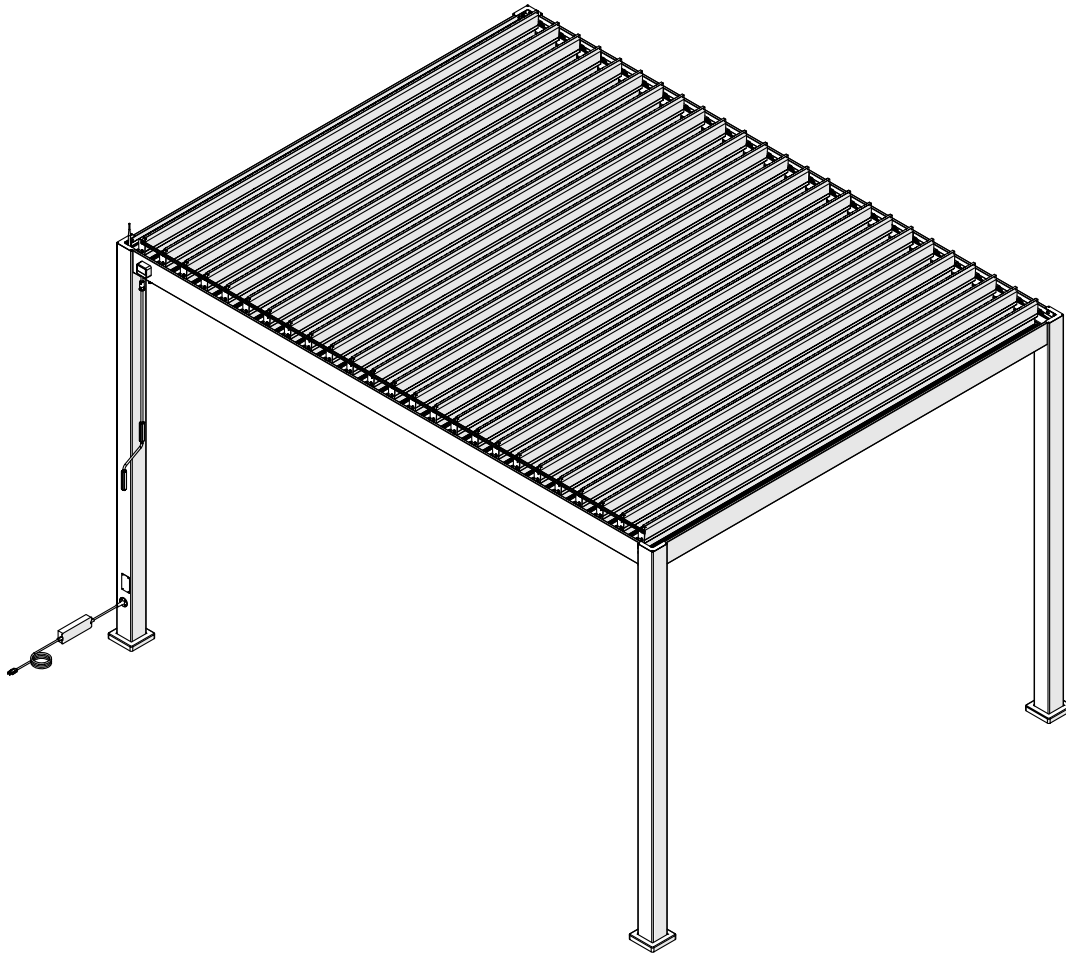


11C

Tighten the hexagonal ends of each bolt with a spanner/wrench.

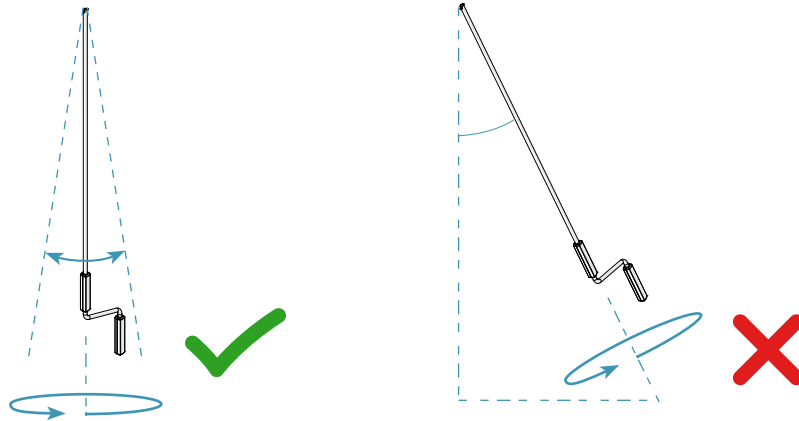


12. End of assembly

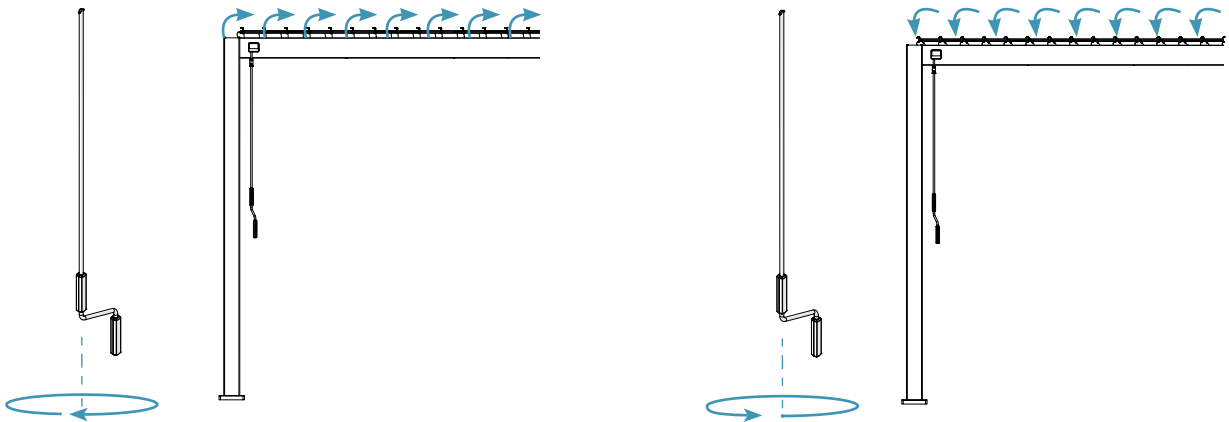


OPERATING YOUR PERGOLA

When opening/closing the louvers, please ensure the crank remains in a vertical position next to the pillar. Do not move the crank too far away from the pillar.

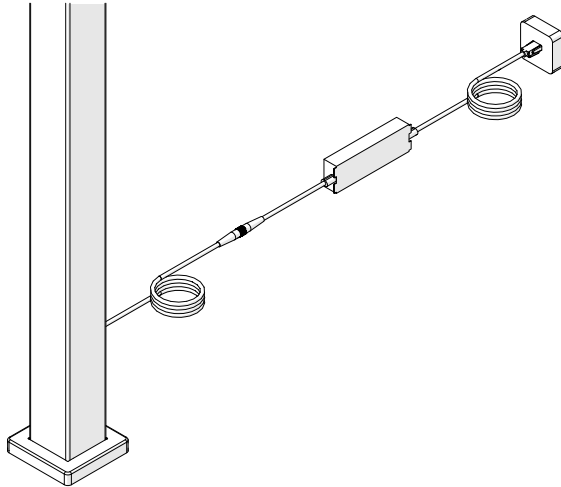


To open the louvers, turn the crank handle clockwise;
To close the louvers, turn the crank handle counter clockwise.



LIGHT STRIP REMOTE CONTROL GUIDE

Plug the power supply adapter into the mains



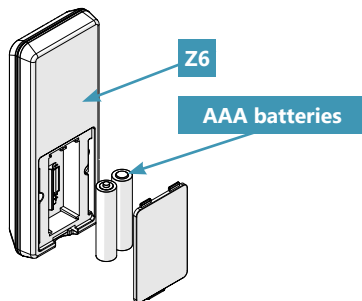
The LED light will light up for two seconds and then turn off to indicate that the device has successfully powered on.

If no light is observed, please make sure you have correctly followed all the connection instructions outlined in the assembly steps **6A** & **10B**.

Warning:

This product has a polarized plug (one blade is wider than the other) as a feature to reduce the risk of electric shock. This plug will fit in a polarized outlet only one way. If the plug does not fit fully in the outlet, reverse the plug. If it still does not fit, contact a qualified electrician. Do not use with an extension cord unless plug can be fully inserted. Do not alter or replace the plug. This item may be omitted if the product does not employ a polarized plug.

Operate with the remote control

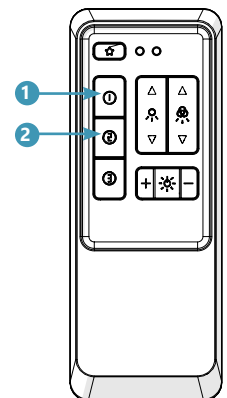


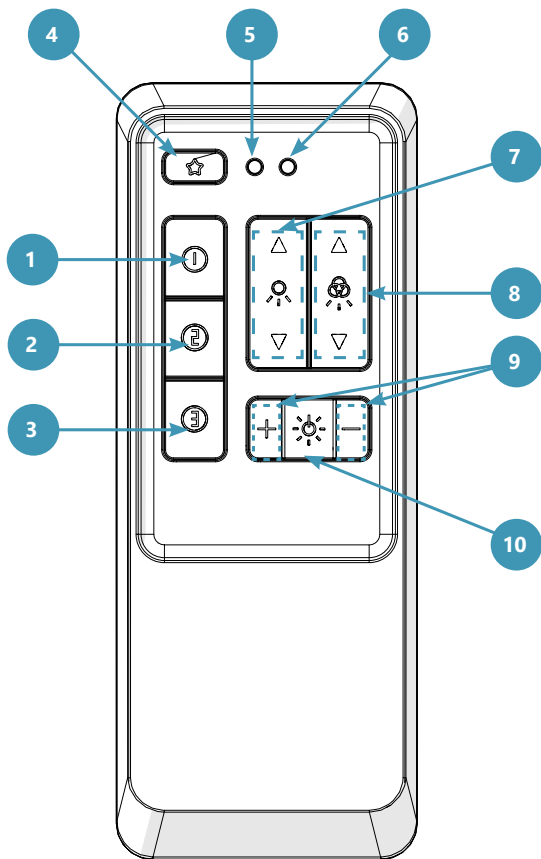
Insert the AAA batteries into the remote control **Z6** and press the corresponding buttons to switch to the desired lighting.

If you encounter issues controlling the lights or notice a delay while switching through the remote control, please re-pair the remote by following the **Pairing** steps outlined below.

Pairing:

1. Unplug the power supply and remove the battery from the remote control.
2. Wait for **15 seconds**, then reconnect the power supply and reinstall the battery in the remote control.
3. Once the light on the remote begins to flash, it indicates pairing mode has been activated. Please complete the pairing process **within 5 minutes** of reconnecting the power.
4. Simultaneously press and hold both **1** and **2** on the remote control.
5. After successful pairing, the light strip will flash twice.









Key	Button/Light	Function
1	Store favorite 1	Three favorite light modes can be stored. To store your favorite light mode, press and hold the star button 4. When the left light 5 starts flashing, press buttons 1, 2 or 3 to save your favorite light settings. The settings will be saved successfully after releasing the button. The left light 5 will then turn off.
2	Store favorite 2	
3	Store favorite 3	
4	Add favorite light setting	Long press for 2 seconds, light 5 will then flash to activate the favorites mode setting.
5	Left light	LED to show favorites mode setting status.
6	Right light	LED indicator for sending signals.
7	Select color (Δ and ∇)	Toggle between single colors R, G, and B. (seven variations in total)
8	Select dynamic lighting (Δ and ∇)	Select from 8 dynamic lighting modes.
9	Increase/Decrease brightness	Press + to increase and - decrease brightness, 5 levels in total.
10	On/Off	Light Strip On/Off Automatically returns to the last closed state when switched on.

PROBLEM SOLVING, CARE & MAINTENANCE

Issue	Explanation or action to take
The LED light strip is deformed after removing it from the packaging.	Expand the light strip and leave it at room temperature for a period of time until its shape is restored before installing it.
The surface of the LED light strip oxidizes and changes color after long-term use.	Regularly clean the surface to ensure cleanliness. If necessary, order a replacement light strip.
Abnormal noise occurs during the rotation of the louvers.	Check if any of the louvers are deformed. If this is the case, replace them. If the louvers are not deformed but they are colliding with one another, replace the beam.
Some of the light beads on the LED light strip do not work according to the instructions.	Replace the light strip.
The flatness of the louver is damaged due to weather conditions.	Replace the affected louvers.
The drain is blocked by leaves or debris.	Clean the ducts and guttering of the pergola regularly.

GENERAL CARE & MAINTENANCE

<p>Dust and dirt will collect on the pergola and will require periodic cleaning.</p>	<p>Use a water/detergent mixture and a soft clean cloth to clean the pergola.</p>	<p>Air dry or wipe with a soft clean cloth.</p>	<p>Disconnect the cables if the pergola is not being used for long periods.</p>	<p>The drive shall be disconnected from its power source during cleaning, maintenance and when replacing parts.</p>
				
<p>For more soiled areas, rinse the surface with clean water from top to bottom.</p>	<p>In most situations it is not necessary to lubricate the moving parts of the pergola. However, when squeaking occurs, using a silicone spray lubricant is recommended.</p>	<p>Do not use any petroleum based spray lubricant.</p>	<p>When the temperature is below 0°C/32°F, it is recommended to use the product less frequently to prolong the product's service life.</p>	<p>In coastal areas, it is recommended that you frequently spray the pergola with water to reduce accumulation of salt and dirt.</p>
	 <p>Silicone based</p>	 <p>Petroleum based</p>	 <p>< 0°C / 32°F</p>	

Periodic inspection

Frequently examine the assembly for imbalance and signs of wear or damage to cables and springs. Do not use if repair or adjustment is necessary.

- Check the pergola is fixed firmly to the ground.
- Check the pergola's mobile components are in good working order.
- Check the condition of the electrical cables and inspect their mains connection.
- Check the screws and rivet joints on the pergola.
- Check of the condition of mobile roof and bearings.

WARRANTY & COMPLAINTS PROCEDURE

For terms and conditions of our limited warranty, please visit www.miradoroutdoor.com or contact your local Mirador sales representative.

Complaints procedure:

- The complaint must include an order number or transaction number. Goods without an order number or transaction number are not covered under the warranty.
- The complaint must include a detailed description of the defect, the name of the company which installed the product if 3rd party is used and the date when the defect was discovered.
- At Sorara Outdoor Living USA's discretion, customer must offer supplier the photos/videos of the issue/damaged parts. Otherwise, supplier reserves the right to refuse replacement parts or credit.
- Please save a copy of your purchase receipt.

Contact:

Customer Service: support@miradoroutdoor.com

Need Assistance? Call +1 (877)-506-4777

Hours of Operation:

Phone Support: Monday - Friday: 6:30 am - 4:30 pm, Saturday – Sunday: 8:30 am – 4:30 pm, PST.

Email Support: We are available 24 hours a day. Please allow up to 24 hours for a response.

Chat With Us Online: miradoroutdoor.com, Monday - Friday: 5:30 am - 2:00 pm, Saturday – Sunday: 8:30 am – 4:30 pm, PST.

Note: Our team is available to assist you during these hours. If you have any inquiries or require support outside of these hours, please leave a voicemail, send an email, or use our online contact form. We will get back to you promptly during the next available support hours. Thank you for choosing Mirador Outdoor!

DISASSEMBLY & DISPOSAL OF THE PRODUCT

Incorrect disassembly of the pergola may lead to serious injury and product damage.

Disassembly should be assigned to qualified personnel with adequate training within the scope of occupational health and safety and knowledge within the scope of recycling.

Disposal of used Electrical and Electronic Equipment

When the service life of the product is over, it is necessary to disassemble it for disposal and to sort the individual materials and components in compliance with the local regulations of your country.

Important disposal information

In compliance with European Directive 2012/19EU on waste electrical and electronic equipment (WEEE) it is forbidden to place the waste equipment marked with the crossed bin symbol with other waste to a container intended for domestic waste. Users wishing to dispose of electronic or electrical equipment are obliged to return it to a designated waste equipment collection point.

The above statutory obligations were introduced in order to limit the amount of waste generated from waste electrical and electronic equipment, and to ensure an appropriate level of collection, recovery and recycling. The equipment does not contain hazardous components which have a particularly adverse effect on the environment or human health.

Utilization of used batteries



In compliance with the provisions of the Directive 2006/66/EC of the European Parliament and of the Council of 6 September 2006 on batteries and accumulators and waste batteries and accumulators and repealing Directive 91/157/EEC, the End User is obliged to transfer used portable batteries, which are no longer used as a source of energy, to an official collection point. It is forbidden to place used batteries with other waste in the same container. To prevent environmental pollution and causing a possible hazard for human and animal health, used batteries should be disposed of in the correct container at the designated collection points.

CERTIFICATION INFORMATION

ETL LISTED MARK



Intertek
5026666

**Conforms to the standard “Flexible Lighting Products”
[UL 2388:2017 Ed.2+R:28Jun2022]**

ETL is a Certification Program provided by Intertek, which is a Recognized Testing Laboratory (NRTL) in the United States, and is accredited by institutes and associations such as ANSI, A2LA, and UKAS.

The Mirador 111 LED Series is ETL certified in the United States of America under Control Number 5026666



Supplier's Declaration of Conformity Compliance Information

Unique Identifier	
Product Description	Mirador Pergola
Model Number	111 LED DA / 111 LED S
Trade Name	Mirador
FCC Compliance Statement	
This device complies with part 15 of the FCC Rules. Operation is subject to the following two conditions: (1) This device may not cause harmful interference, and (2) this device must accept any interference received, including interference that may cause undesired operation.	
Responsible Party - U.S. Contact Information	
Company:	Sorara Outdoor Living USA, Inc.
Address:	15271 Fairfield Ranch Rd. , Ste# 180, Chino Hills, CA 91709
Telephone or internet contact information:	+1 (877)-506-4777 – Hello@Sorara.com

Warning: Any changes or modifications to this unit not expressly approved by the party responsible for compliance could void the user's authority to operate the equipment.

Note: This equipment has been tested and found to comply with the limits for a Class B digital device, pursuant to part 15 of the FCC Rules. These limits are designed to provide reasonable protection against harmful interference in a residential installation. This equipment generates uses and can radiate radio frequency energy and, if not installed and used in accordance with the instructions, may cause harmful interference to radio communications. However, there is no guarantee that interference will not occur in a particular installation. If this equipment does cause harmful interference to radio or television reception, which can be determined by turning the equipment off and on, the user is encouraged to try to correct the interference by one or more of the following measures:

- Reorient or relocate the receiving antenna.
- Increase the separation between the equipment and receiver.
- Connect the equipment into an outlet on a circuit different from that to which the receiver is connected.
- Consult the dealer or an experienced radio/TV technician for help.

For remote control:

This equipment complies with FCC RF radiation exposure limits set forth for an uncontrolled environment. This device and its antenna must not be co-located or operating in conjunction with any other antenna or transmitter.

Declaration of performance (DOP)

Reference no. DOP0001

Product name and type

Mirador Pergola and Mirador Wall Pergola/ pergola awning

Model name/ Unique identification code of the product:

111 Deluxe AxBm, 111 Deluxe e AxBm, 111 Deluxe e-Motion RC AxBm, 111 Deluxe e-Motion AxBm, 111 DA AxBm, 111 LED DA AxBm, 111 e-Motion DA AxBm, 111 e-Motion+ AxBm, 111 Deluxe Edge AxBm, 111 Deluxe Edge e AxBm, 111 Deluxe Edge e-Motion RC AxBm, 111 Deluxe Edge e-Motion AxBm, 111 Deluxe R AxBm, 111 Deluxe R e AxBm, 111 Deluxe R e-Motion RC AxBm, 111 Deluxe R e-Motion AxBm,

AxB:

3x3, 3x3.6, 3x4, 3.6x3.6, 3.6x4,
3x5.3, 3x6, 3x7.2, 3.6x5.3, 3.6x6, 3.6x7.2

111 Classic AxBm, 111 Classic e AxBm, 111 Classic e-Motion AxBm, 111 S AxBm, 111 LED S AxBm, 111 e-Motion S AxBm, 111 Premium AxBm, 111 Premium e AxBm, 111 Premium e-Motion AxBm, 111 A AxBm, 111 LED A AxBm, 111 e-Motion A AxBm,

AxB:

3x3, 3x3.6, 3x4,
3x5.3, 3x6, 3x7.2

111 Infinite AxBm, 111 Infinite e AxBm, 111 Infinite e-Motion RC AxBm, 111 Infinite e-Motion AxBm, 111 Infinite LED AxBm, 111 Infinite e-Motion DA AxBm, 111 Infinite e-Motion+ AxBm, 111 Infinite Edge AxBm, 111 Infinite Edge e AxBm, 111 Infinite Edge e-Motion RC AxBm, 111 Infinite e-Motion AxBm,

AxB:

3.6x3.6, 7.2x7.2

Purpose of Usage:

External use in buildings and other construction works

Manufacturer:

Zhejiang Zhengte Co., Ltd.
811 Dongfang Ave, Zhejiang, PRC

Documentation officer:

Ziad Zhao
Zhejiang Zhengte Co., Ltd.
No.811 Oriental Ave., Linhai, 317004, Zhejiang, China

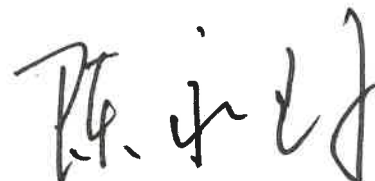
System for assessing and verifying the constancy of performance according to Annex V of the Construction Products Directive 305/2011/EC

System 4

Declared performance (Excluding the structural part):

Wind resistance = Class 6
Standard: EN 13561:2004+A1:2008

Zhejiang
20.07.23



(Chairman/President)

more to
enjoy

MIRADOR® is a registered trademark
of Zhejiang Zhengte Co., Ltd.
© 2024 Sorara Outdoor Living USA .
All rights reserved.



Printed on 100%
post-consumer
recycled paper



FOLLOW US ON
WWW.MIRADOROUTDOOR.COM
@miradoroutdoor @MiradorOutdoor
@miradoroutdoor @miradoroutdoor