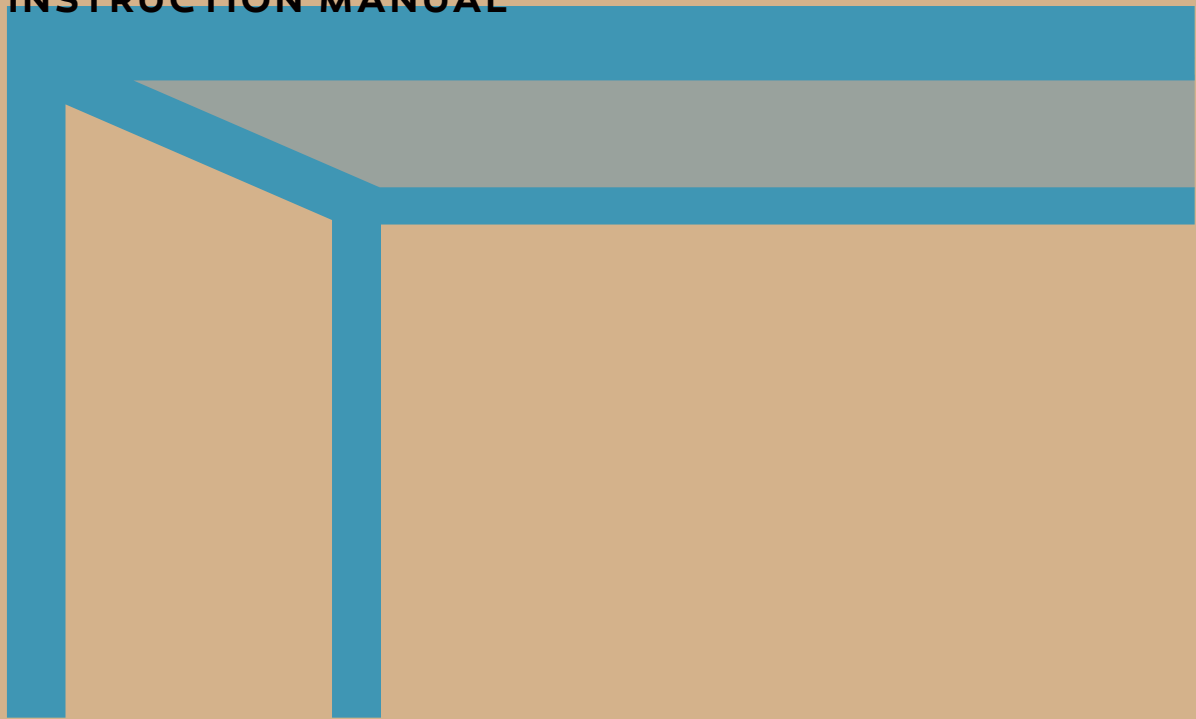


111 Gazebo LED

INSTRUCTION MANUAL



THANK YOU FOR PURCHASING OUR MIRADOR GAZEBO LED



This manual will provide you with clear and detailed instructions on how to safely and correctly assemble and maintain your gazebo, to ensure it brings you many years of use and enjoyment.

IMPORTANT

Please read the entire manual carefully before assembling and using your gazebo, and please ensure the manual is kept in a safe place for future reference.

Intended use

This gazebo is intended for outdoor domestic use in residential environments, and to protect users from direct sunlight, glare and heat. Any use or modification to the gazebo not included in this manual shall be considered as improper use, which may cause considerable danger to users and property and will void the product warranty.

For parts and customer service, please call +1 (877)-506-4777 in the U.S. and Canada (English and Spanish) Monday - Friday: 6:30 am - 4:30 pm, Saturday – Sunday: 8:30 am – 4:30 pm, Pacific Time. Or email: support@miradoroutdoor.com

Digital instruction manual is also available on our official website www.miradoroutdoor.com for your reference.

TABLE OF CONTENTS

- Before Assembling Your Gazebo	3
- Important Safety Advice	5
- Technical Data	8
- List of Parts	9
- Assembly 4 pillar	11
- Assembly 6 pillar	32
- Operating Your Gazebo	56
- Problem Solving, Care & Maintenance	58
- Warranty & Complaints Procedure	60
- Disassembly & Disposal of the Product	61
- Certification Information	62

BEFORE ASSEMBLING YOUR GAZEBO

Please read all the instructions carefully before you begin, and follow the steps in the order they are presented.

Make sure you have all the tools required for assembling your gazebo:

In order to assemble your gazebo safely and correctly, please ensure you have access to the following tools and accessories, all of which are not provided.



Hard hat



Protective gloves



Box cutter



Tape measure



Leveler



Phillips screwdriver



Cordless screwdriver



Hexagonal spanner/
wrench set



Hammer drill



Hammer



2 Step ladders



Scissors

Check to ensure there are no missing parts:







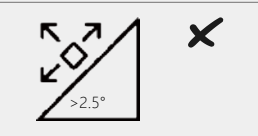
Before you begin assembly, please check that you have all the parts required to assemble your gazebo. Please also carefully check that the quantity of parts match with that of the model you have purchased. (4-pillar or 6-pillar).

If any parts are missing, please refer **Warranty & Complaints Procedure** to contact customer service before beginning the assembly.

Prepare the parts you will need for each step:

In the **Assembly** section of the manual, each step indicates the necessary parts and quantities required to complete the step. We recommend that you prepare the parts you will need for each assembly step. Doing this will save you time and effort during assembly. If possible, place the parts on cardboard or other soft surface to protect from scratching the painted surfaces.

Select a suitable location:

The ground should be solid and flat	The ground should be level	Sufficient water drainage	Easy access to power	No overhanging trees and powerlines
				
				

Warning:

Most terraces or patios are designed with a slight slope to prevent (rain) water from forming pools or reaching the house or other structures. For the perfect gazebo installation, a level concrete surface without such a slope is required. Small pebbles could also prevent the gazebo from being safely secured on the ground.

If the gazebo is installed on an uneven surface, it may prevent accessory components from working correctly and may void the product warranty.

Prepare a foundation:


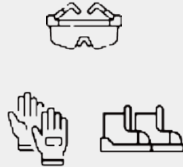
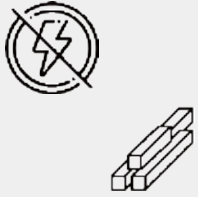




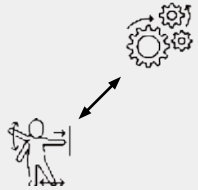







To prepare it, you need to:

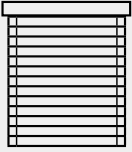











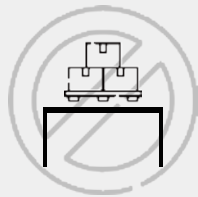

- check for underground pipes and cables (Call 811 before you dig if you live in the USA)
- check with your local authorities regarding any building permits that may be required
- contact a reliable contractor to install a concrete base if you don't have one

Do not assemble the gazebo on sandy, muddy or loose soil, as the stakes do not have the sufficient anchorage to be installed in these types of soil.

IMPORTANT SAFETY ADVICE




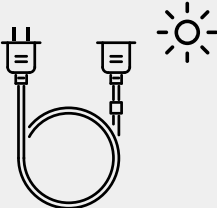
For the safety of all persons assembling and using the gazebo, it is important to follow the safety guidelines below.

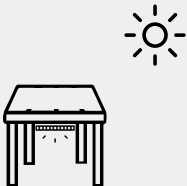

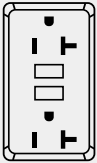
<p>The gazebo must be positioned and fixed on flat level surface.</p>	<p>Always wear appropriate work shoes, gloves and eye protection when working.</p>	<p>Work well away from power lines, particularly when handling metal parts.</p>	<p>If using power tools or a ladder, always follow the manufacturer's safety instructions.</p>	<p>Make sure the gazebo complies with local building regulatory codes.</p>
				
<p>Working at heights can be dangerous. Always wear protective clothing to prevent injury in the event of a fall.</p>	<p>Only use ladders and scaffolding with a sufficiently high load bearing capacity.</p>	<p>Keep clothing and body parts away from the gazebo to prevent them from getting caught in the moving parts.</p>	<p>Foliage or other foreign objects on the roof and in the guide rails should be removed regularly, to prevent damage to the gazebo.</p>	<p>Only use replacement parts that are approved by the manufacturer.</p>
				
<p>After prolonged use we recommend you check all the fittings are tightened securely.</p>	<p>Make sure all electrical connections are disconnected from the mains during assembly.</p>	<p>Please recycle packaging where possible.</p>	<p>Electrical installation may only be carried out by certified personnel according to the applicable regulation (e.g. VDE 100 for Europe).</p>	<p>Mirador electric gazebos should only be connected to power sources that have been installed by a licensed electrical contractor.</p>
				

<p>Installation of non-Mirador branded accessories will void the product warranty and can damage the operating mechanism.</p>	<p>Do not touch moving parts during operation.</p>	<p>Do not climb on the roof.</p>	<p>Keep the remote control away from children.</p>	<p>Do not attempt to assemble the product if you are tired, or after consuming alcohol.</p>
 <p>Mirador®</p>				
<p>Dispose of all plastic bags safely. Keep them out of the reach of children.</p>	<p>Keep children and pets away from the assembly area until the work is completed.</p>	<p>Do not attempt to assemble the gazebo in windy or wet conditions.</p>	<p>Hot items such as recently used grills, fire pits etc. must not be stored near the power cord of the gazebo.</p>	<p>Hanging objects on the gazebo may cause serious damage and is not permitted.</p>
				
<p>Prior to each operation, visually check the gazebo for damage. If damage is visible, stop using it immediately and contact authorized personnel to repair the damage.</p>	<p>If the supply cord is damaged, it must be replaced by the manufacturer, its service agent or similarly qualified people in order to avoid a hazard.</p>	<p>Do not place anything on the roof.</p>	<p>Changes to the design or configuration of equipment may not be made without consulting the manufacturer or authorized representative.</p>	
				

WARNING:

When using outdoor use portable lighting products, basic safety precautions should always be followed to reduce the risk of fire, electric shock, and personal injury, including the following:

WARNING	WARNING	WARNING	WARNING
Do not mount or support flexible light in a manner that can damage the outer jacket or cord insulation.	Risk of Fire and Electric Shock. Uncoil flexible light prior to plugging in. Do not install near flammable liquids.	Material may become brittle when cold. Do not install where it may be stepped on or subject to physical damage.	Use only outdoor extension cords, such as type SW, SOW, STW, STOW, SJW, SJOW, SJTW, or SJTOW. This designation is marked on the wire of the extension cord.
			

CAUTION	CAUTION	CAUTION
Suitable for outdoor use.	Risk of Electric Shock. Do not use with extension cord near water or where water may accumulate.	For use only on GFCI protected circuits.
		

TECHNICAL DATA


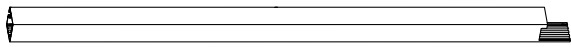
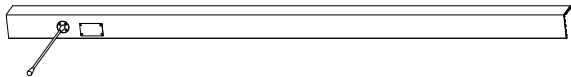






Control box	Input Voltage	24V DC
	Ingress Protection Rating	IPX5
Light LED strip	Input Voltage	24V DC
	Ingress Protection Rating	IP68
Power supply	Input Voltage	110 to 240V
	Ingress Protection Rating	IP67
	Maximum Power	250VA
Control	Control Method	Remote Control
	Frequency Band	2400MHz-2483.5MHz

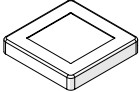

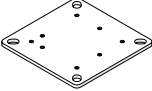
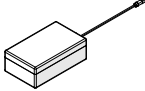
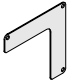
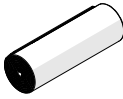

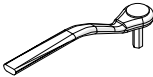
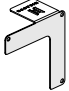





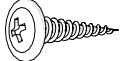
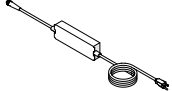






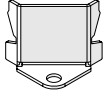
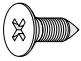
LIST OF PARTS

The quantities of parts are listed below for the 4-pillar and 6-pillar models. Please carefully check that the quantity of parts match with that of the model you have purchased.

PLEASE NOTE that the anchor bolts provided may not be suitable for your chosen installation location. Please check before proceeding.

DO NOT USE AN IMPACT CORDLESS SCREW DRIVER TO ASSEMBLE THE GAZEBO. USE A STANDARD CORDLESS SCREW DRIVER ON THE BASE SETTING. ALL HOLES HAVE BEEN PREDRILLED OR FITTED FOR ASSEMBLY

	REF	Part Name	4-pillar QTY	6-pillar QTY
A		Standard corner pillar	3 pcs	3 pcs
A1		Middle pillar	-	2 pcs
A2		Cabled corner pillar	1 pcs	1 pcs
B		Side beam	2 pcs	-
B1		Side beam 1	-	2 pcs
B2		Side beam 2	-	2 pcs
C		End beam	2 pcs	2 pcs
D1		Roof deck sheet (narrow)	12 pcs	19 pcs
D2		Roof deck sheet (wide)	13 pcs	19 pcs

	REF	Part Name	4-pillar QTY	6-pillar QTY		REF	Part Name	4-pillar QTY	6-pillar QTY
I		Foot plate cover	4 pcs	6 pcs	Y3		Plastic pin	4+6 pcs	4+12 pcs
J		Foot plate	4 pcs	6 pcs	Y4		Control box	1 pcs	1 pcs
N		Corner pillar cover	3 pcs	3 pcs	Y5		Canopy	1 pcs	1 pcs
N1		Middle pillar cover	-	2 pcs	Y6		Ratchet hex wrench	1 pcs	1 pcs
N2		Corner pillar cover (logo)	1 pcs	1 pcs	Y7		Beam connector plate	-	4 pcs
O		Screw ST5.65x45mm	24+2 pcs	36+3 pcs	Y8		Middle fitting	-	2 pcs
O1		Screw ST5.5x23mm	158+8 pcs	232+12 pcs	Z		12mm SDS plus drill bit	1 pcs	1 pcs
R		Screw 5.5x19mm	12+2 pcs	16+3 pcs	Z4		Power supply	1 pcs	1 pcs
W		Anchor bolt M8x80mm	16 pcs	24 pcs	Z5		LED light strip	2 pcs	2 pcs
Y		Hex key (large)	1 pcs	1 pcs	Z6		Remote control	1 pcs	1 pcs
Y1		Pin washer	96+4 pcs	148+12 pcs	Z8		Waterproof tape	1 pcs	1 pcs
Y2		Corner fitting	4 pcs	4 pcs	Z9		Screw ST4.8x13mm	4 pcs	4 pcs

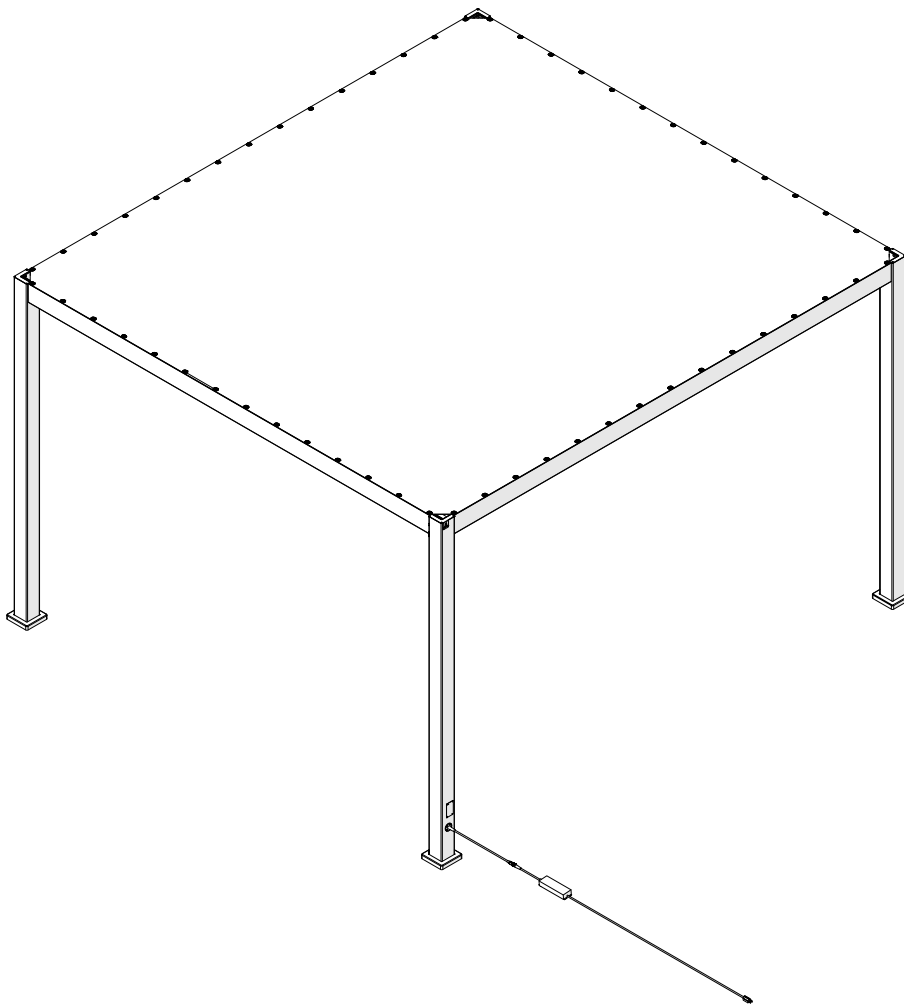
ASSEMBLY

4-pillar

For assembly of the **6-pillar** model, please go directly to page 33.



Assembly Video



1. Set up the corner pillars

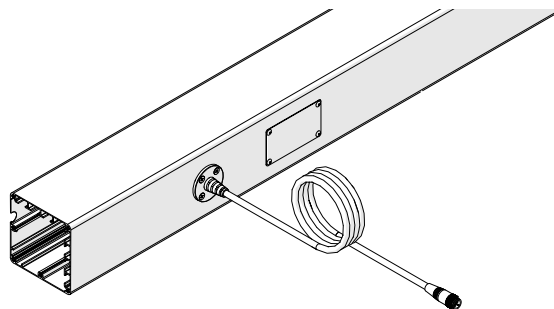
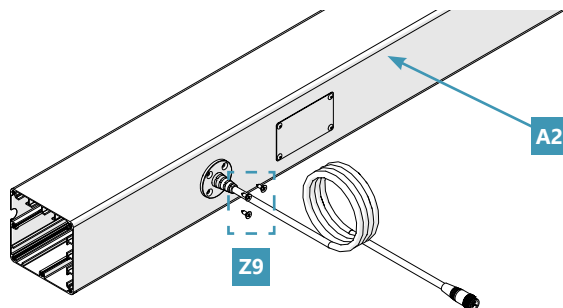
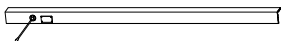
1A

Fix the cable flange with screws **Z9** onto the cabled corner pillar **A2**, and make sure the cable is hanging outside.

Z9 x 4



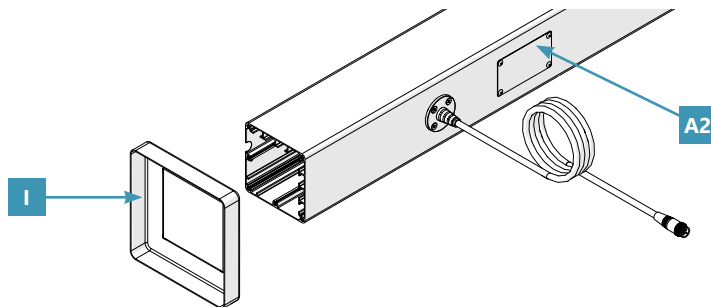
A2 x 1



1B

Slide the foot plate cover **I** with its wide opening facing outwards on the straight end of the cabled corner pillar **A2**.

I x 1



1C

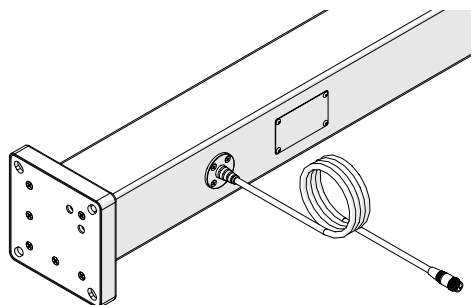
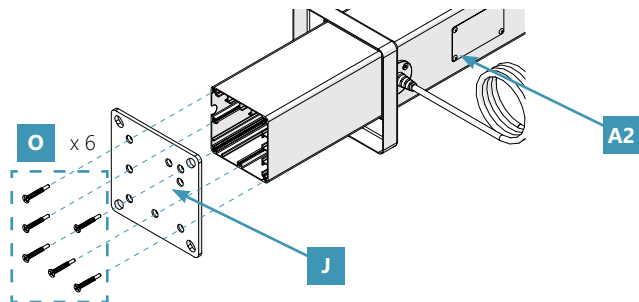
Push the foot plate **J** against the straight end of the cabled corner pillar **A2**. It only fits in one direction and in one position. If in doubt, rotate it until it fits easily.

Screw in the foot plate **J** with 6 screws **O** using a cordless screwdriver.

O x 6



J x 1



1D

Repeat steps **1B** – **1C** to assemble the foot plates **J** of the 3 standard corner pillars **A**.

I x 3



O x 18



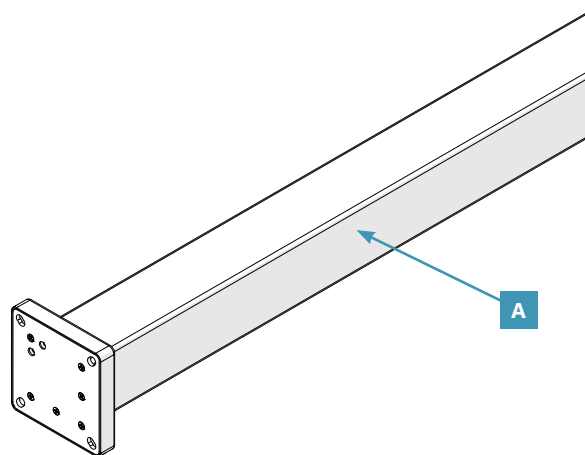
J x 3



A x 3



x 3



2. Connect the side beam **B** to the cabled corner pillar **A2** and a standard corner pillar **A**

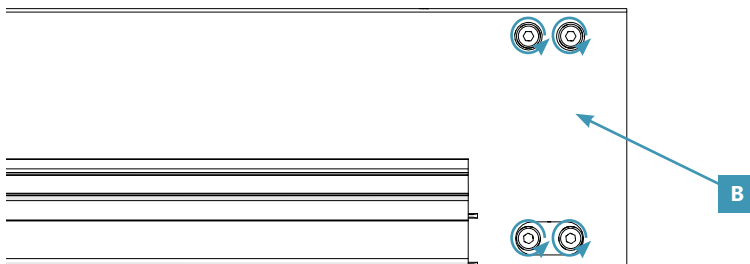
2A

Using a hex key (large) **Y**, slightly loosen the 4 built-in screws at the same end of the side beam **B**.

Y x 1



B x 1



2B

Slide the side beam **B** into the grooves of the cabled corner pillar **A2** in such a way that the slot nuts of the side beam **B** interlock with the slots in the cabled corner pillar **A2**.

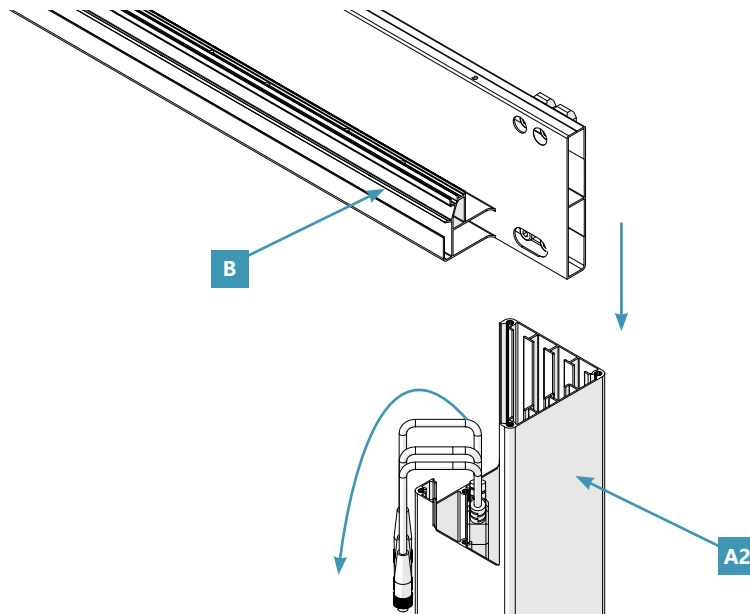
Warning:

Pull the cables out of the cabled corner pillar. Take care not to crush or squeeze the cables.

B x 1

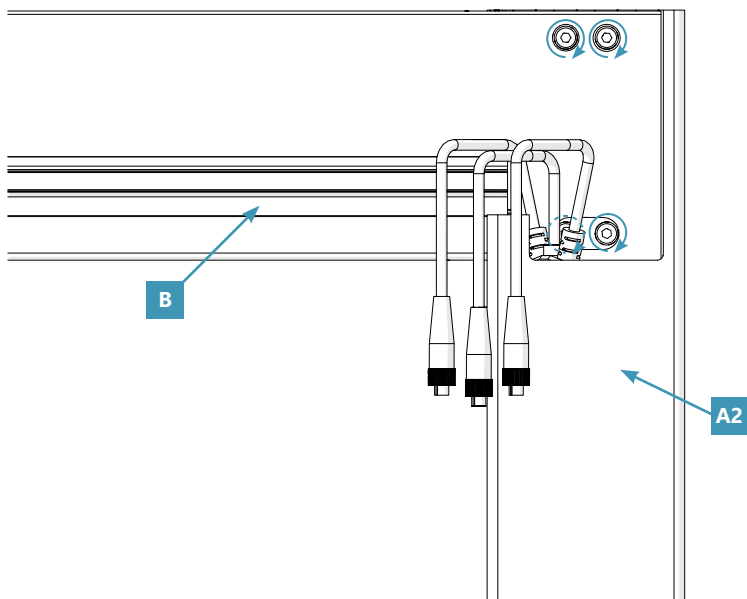


A2 x 1



2C

Fix the side beam **B** tightly onto the cabled corner pillar **A2** with the four built-in screws, using the hex key **Y** provided.

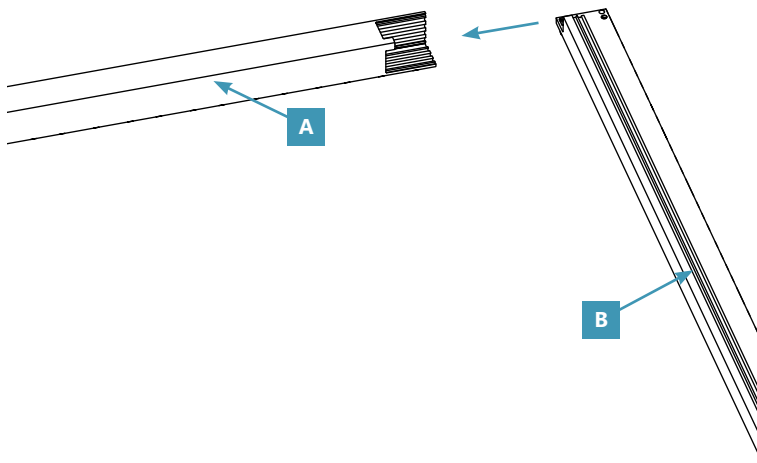


Y x1



2D

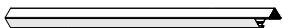
Repeat steps **2B** - **2D** to connect the other end of the side beam **B** with one of the standard corner pillars **A**.



Y x1



A x1



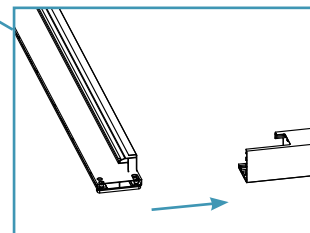
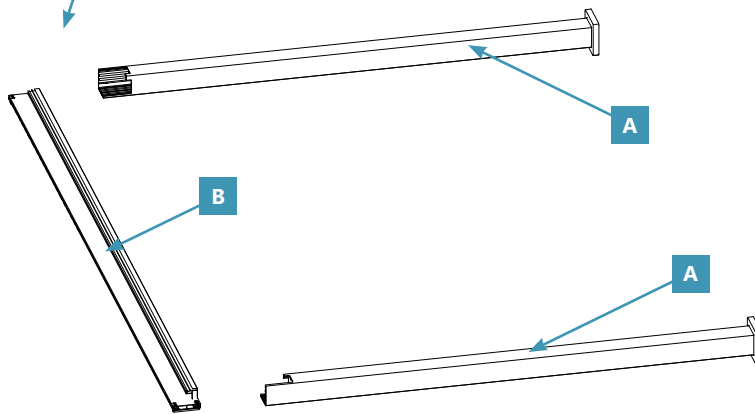
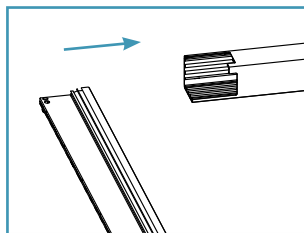
B x1



3. Connect the side beam **B** to the remaining two standard corner pillars **A**

3A

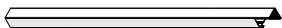
Repeat steps **2B** - **2D** to connect the beam **B** with the remaining two corner pillars **A**.



Y x1



A x2



B x1



4. Slide in the two end beams

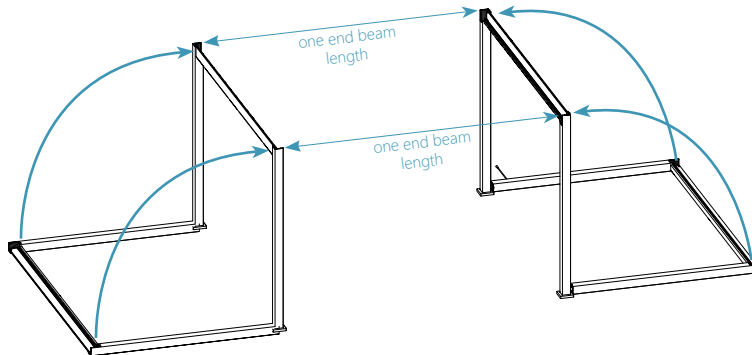
This phase requires four persons and at least two stepladders.
Make sure that the stepladders are standing securely to avoid falling.



Only use ladders suitable for this kind of installation work.

4A

Stand the two structures built during steps 2 and 3 in an upright position, and place them at one end beam length away from one another. Make sure that one person is supporting each corner leg (**A** & **A2**) to prevent the structures from falling.



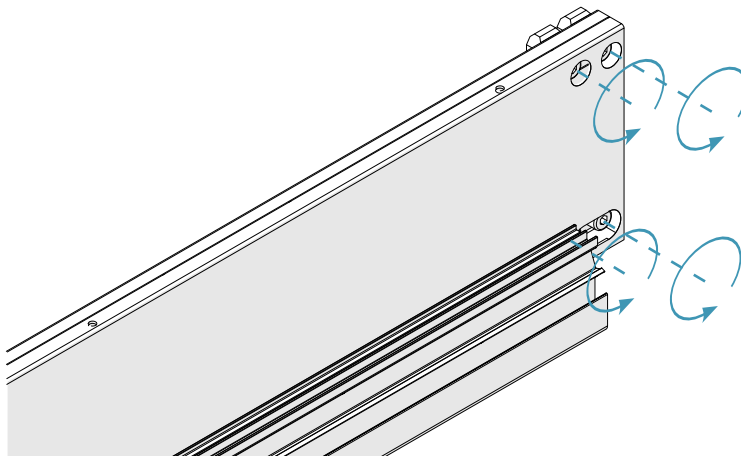
4B

Slightly loosen the 8 built-in screws at both ends of the end beam **C** .

Y x1



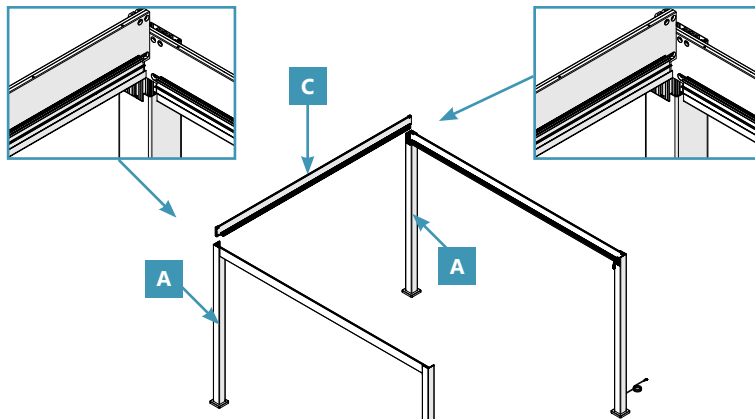
C x1



4C

Slide the slot nuts of the end beams **C** from above into the slots of the corner pillars **A**.

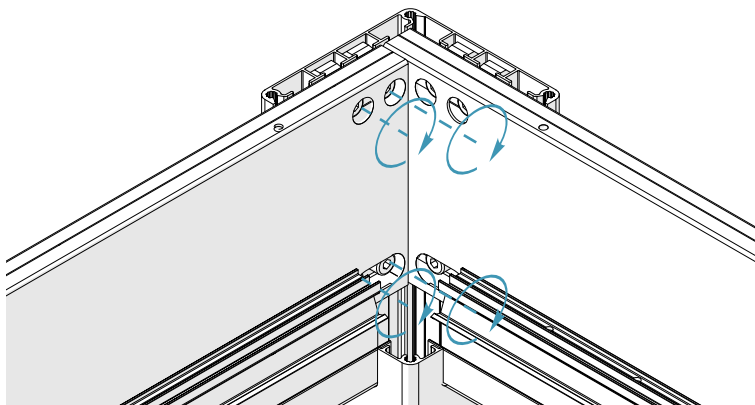
C x1



4D

Once the beam is in the correct position, tighten the 8 built-in screws on both ends using the ratchet hex wrench **Y6** provided.

Y6 x1



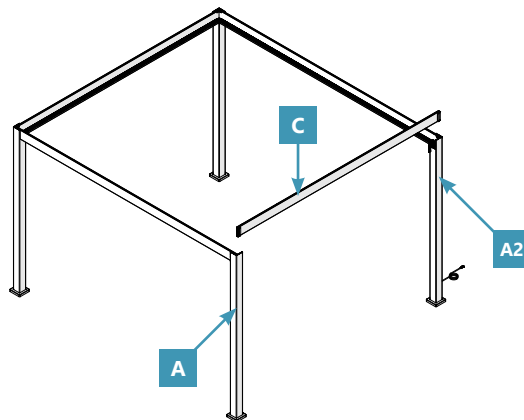
4E

Assemble the other end beam **C** by repeating steps **4B** - **4D**.

Y6 x1



C x1



5. Check the alignment of the frame and the distance between the corner pillars

You are now almost done assembling the main frame of the gazebo. Please double check to ensure all corner pillars, beams, and cables have been assembled and fitted correctly. You may have to unscrew certain bolts during this step. You will also need a tape measure and a leveler to complete this step.

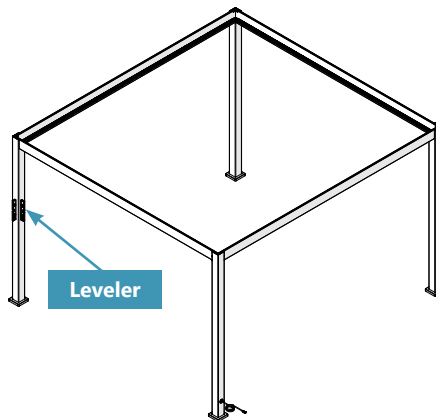
5A

Choose one of the corner pillars (**A** & **A2**) and work from this pillar. Choose this pillar carefully as it will define the final installation location of the gazebo.

Use a leveler to measure against both of the inner sides to ensure that the corner pillar is straight and level.



Make sure this corner pillar does not move position during the remaining installation steps.

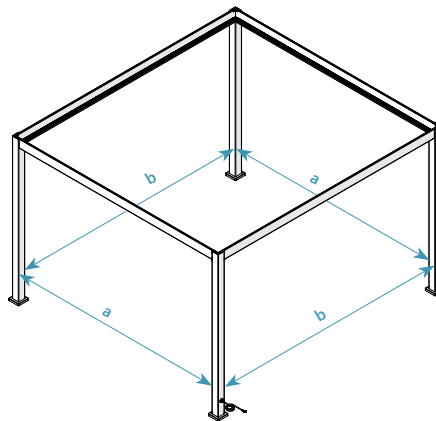


5B

Measure the distances between the adjacent corner pillars. Adjust accordingly and ensure the distances match those shown in the opposite figure.



a = 3400mm / 133.9 inches
b = 3705mm / 145.9 inches

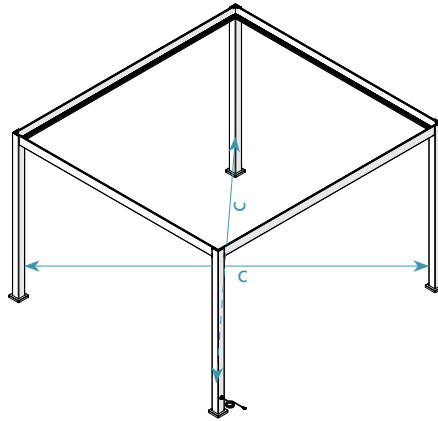


5C

Measure the diagonal distance between the opposite corner pillars. Adjust the other corner pillars accordingly until both diagonal distances are equal. You may have to repeat the above steps after completing the remaining steps.



$c = 5033\text{mm} / 198.1\text{ inches}$

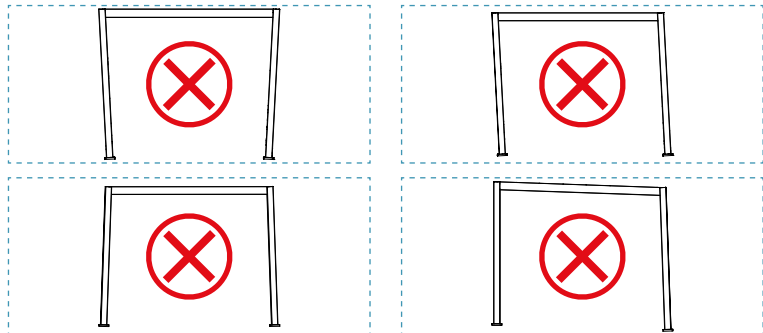
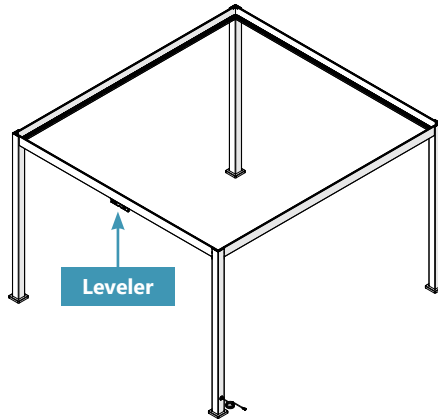


5D

Check that all corner pillars are straight and level using a leveler. If the corner pillars or beams are still not level, this means that your main building surface isn't sufficiently level, and that you will need to raise the corner pillars that are positioned lower than the others. (Contact qualified professional installers if needed.)

Warning:

If you do not adjust the main structure at this point, you may encounter problems when fitting the roof deck and/or accessories to the frame.



6. Assemble the LED strip lights

READ AND FOLLOW ALL SAFETY INSTRUCTIONS

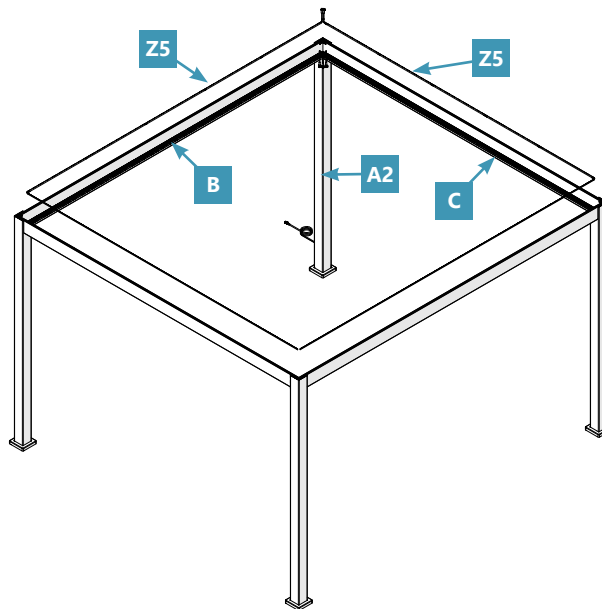
- Do not cover this product as the covering may cause the flexible light to overheat and melt or ignite.
- Do not operate with the flexible light tightly coiled.
- Do not puncture, cut, shorten, or splice the flexible lighting.
- Do not route the cord or flexible lighting through walls, doors, windows or any like part of the building structure.
- Do not use if there is any damage to the light or cord insulation. Inspect periodically.
- Do not submerge flexible light in liquids, or use the product in the vicinity of standing water or other liquids.
- Secure this flexible light using only the hangers or clips provided. Do not secure this product or its cord with staples, nails, or like means that may damage the insulation or permanently attach to the building structure.
- Do not subject flexible lighting to continuous flexing.
- (For extendible units) Do Not Exceed The Length in Feet Permitted By The Marking.
- This product has a polarized plug (one blade is wider than the other) as a feature to reduce the risk of electric shock. This plug will fit in a polarized outlet only one way. If the plug does not fit fully in the outlet, reverse the plug. If it still does not fit, contact a qualified electrician. Do not use with an extension cord unless plug can be fully inserted. Do not alter or replace the plug. This item may be omitted if the product does not employ a polarized plug.

SAVE THESE INSTRUCTIONS

6A

Place both LED light strips **Z5** along the grooves on the side beams **B** and end beams **C**, as shown in the figure. Put the connection socket of the LED light strip **Z5** close to the cabled corner pillar **A2**, and put the end of the LED light strip **Z5** into the top of the corresponding corner pillar if needed.

Z5 x 2



6B

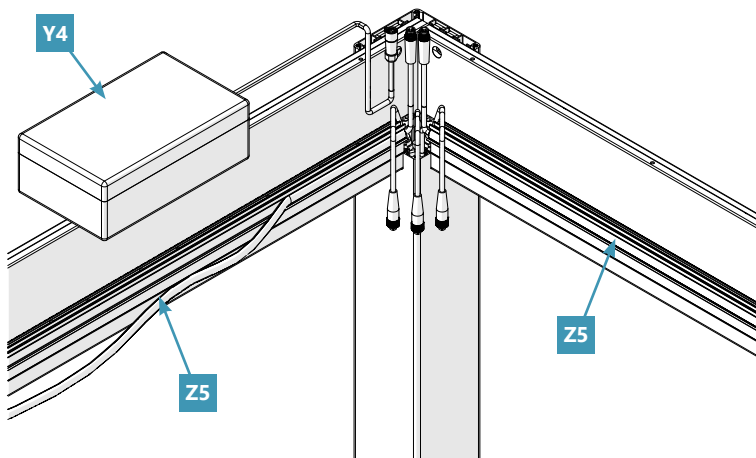
As shown in the figure, press both LED light strips **Z5** firmly into the light strip slots one by one to ensure they are fitted evenly.

The control box **Y4** may be temporarily hung from the beam if necessary.

Y4 x 1



Z5 x 2



7. Connect the power cables of the LED strip lights **Z5**

7A

Connect the cable connector (5-pin) of the cabled corner pillar **A2** to the cable connector (5-pin) of the control box **Y4**.

Connect the cable connector (4-pin) of the LED light strip **Z5** to the corresponding connector socket of the cabled corner pillar **A2**. Then tighten the waterproof connector (there is no need to differentiate the plug sockets of the two light strips as they are the same).

Tip:

It is recommended to wrap waterproof adhesive tape on the waterproof connectors to prolong their service life.

Y4 x 1



Z5 x 1



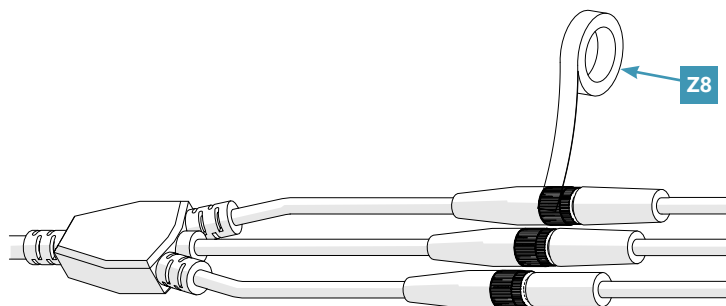
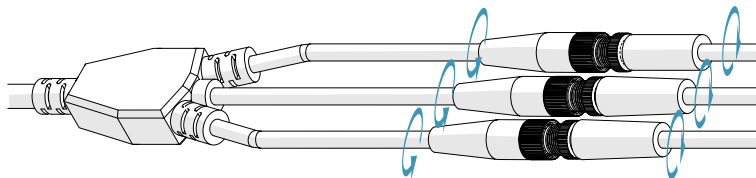
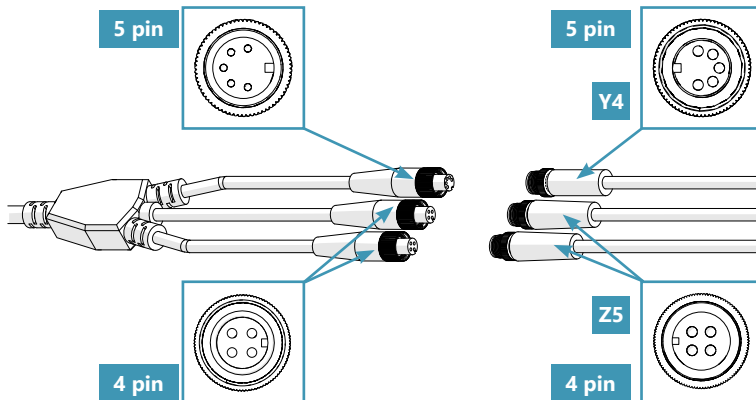
Z8 x 1



A2 x 1

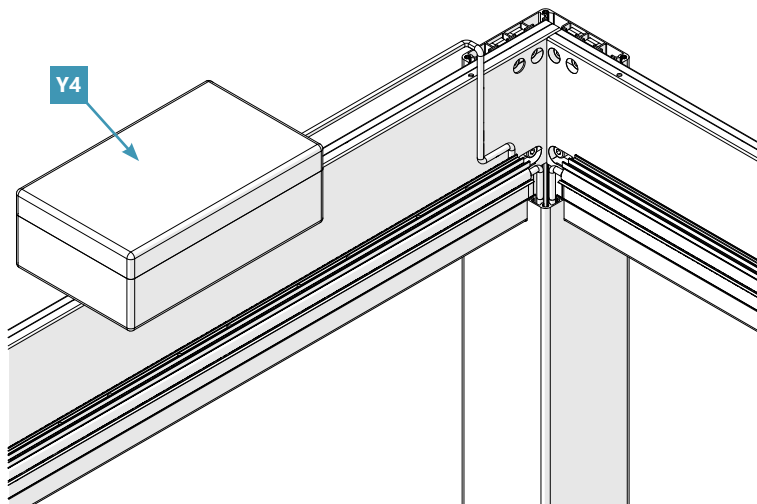


B x 1



7B

Carefully tuck all connected cables and connectors at the top of the structure back into the corner pillar.



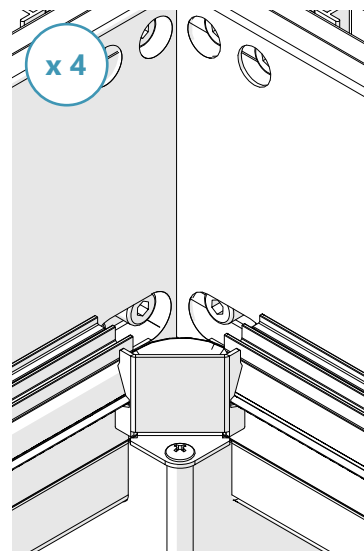
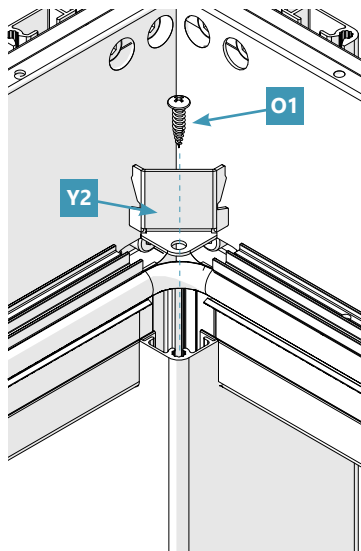
7C

Attach and assemble the corner fittings **Y2** with the screws **O1**.

Y2 x 4



O1 x 4



8. Assemble the roof deck sheets **D1** & **D2** and canopy **Y5**

8A

Take a roof deck sheet (wide) **D2** and place it at the right end of the structure, so that it makes contact with the cabled corner pillar **A2**. Please ensure the cable passes through the cutout at the end of the roof deck sheet (wide) **D2**.

Carefully fit the light control box into the roof deck sheet (wide) **D2**. Secure the box in place with a screw **O1**, a pin washer **Y1**, and a plastic pin **Y3** at each end of the roof deck sheet (wide) **D2**.

O1 x 2



Y1 x 2



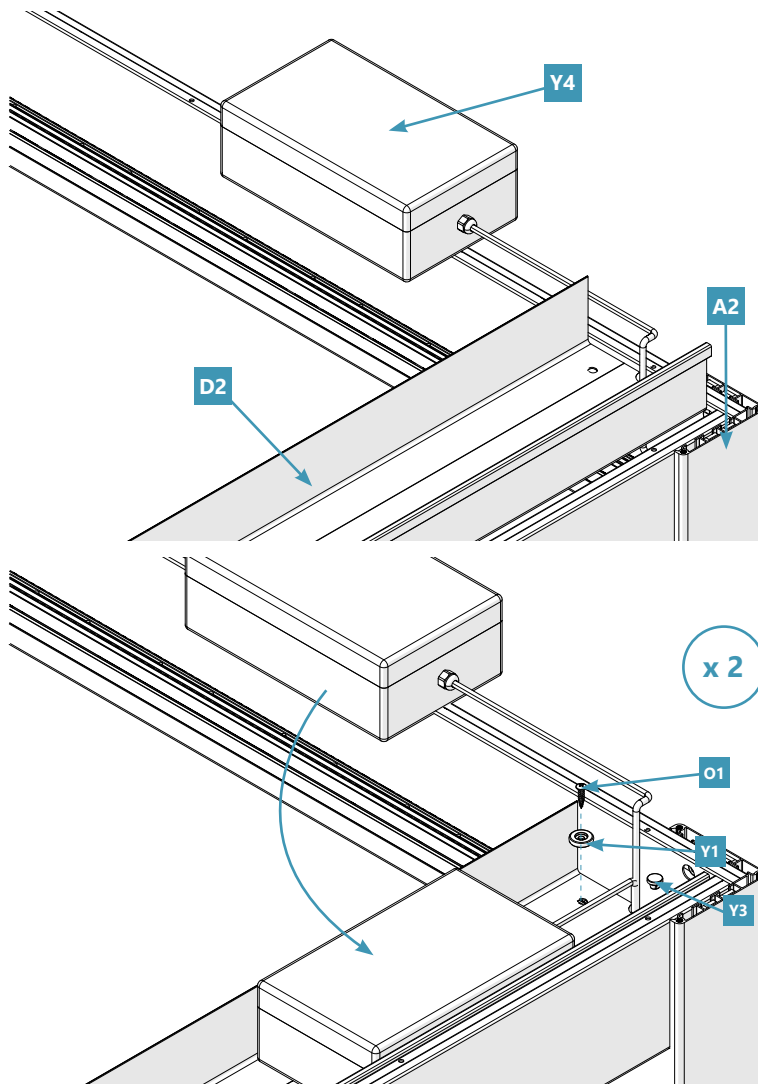
Y3 x 2



Y4 x 1



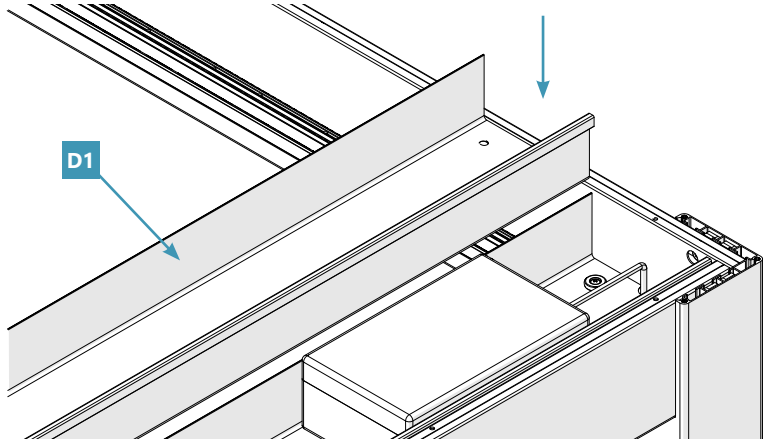
D2 x 1



8B

Take a roof deck sheet (narrow) **D1** and place it next to the roof deck sheet (wide) **D2** so that it overlaps onto the roof deck sheet (wide) **D2**.

D1 x 1



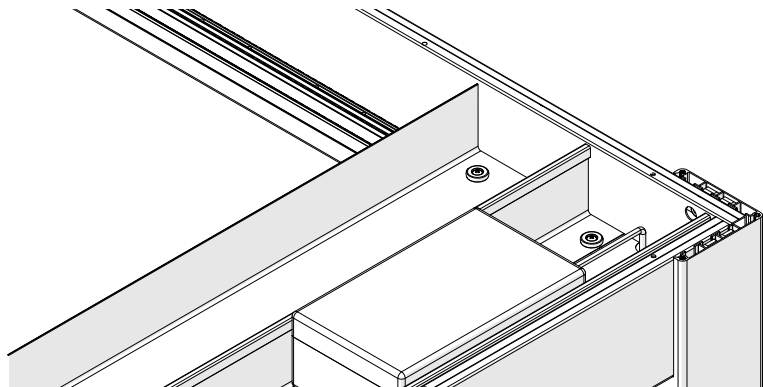
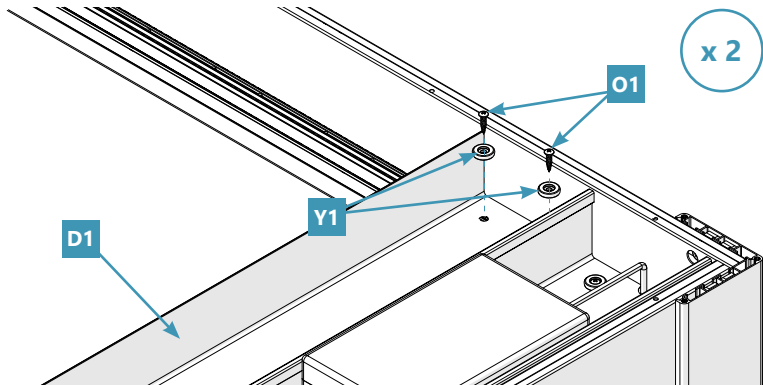
8C

Secure the roof deck sheet with two screws **O1** and two pin washers **Y1** at each end of the deck sheet.

O1 x 4



Y1 x 4



8D

Repeat steps 8A – 8C, placing the roof deck sheets (wide) **D2** and roof deck sheets (narrow) **D1** alternately until the entire top of the structure is covered. Secure each sheet with two screws **O1** and two pin washers **Y1** at each end of each sheet, except for the final roof deck sheet (wide) **D2**, which should be secured with one screw **O1**, one pin washer **V1**, and one plastic pin **Y3** at each end of the roof deck sheet (wide) **D2**.

O1 x 90



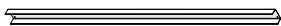
Y1 x 90



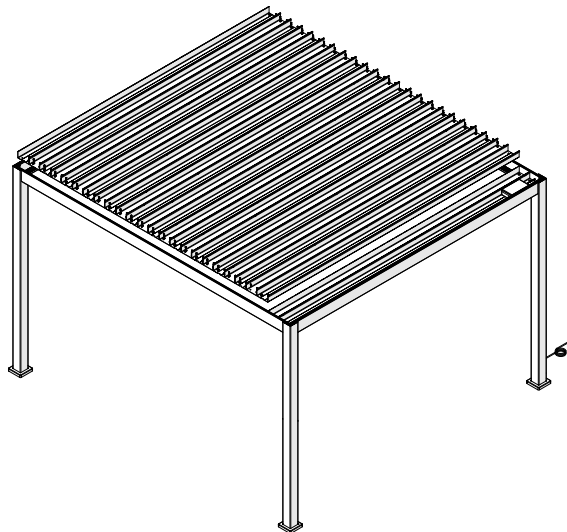
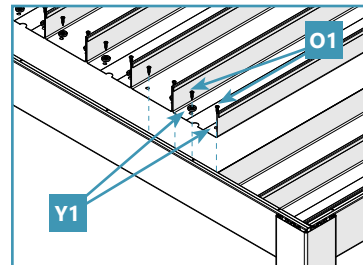
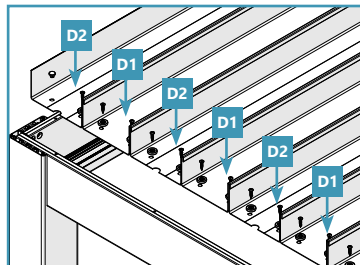
Y3 x 2



D1 x 11



D2 x 12



8E

Fix a pillar cover **N/N2** to the top of each corner with three screws each **R**. Fix them using a cordless screwdriver.

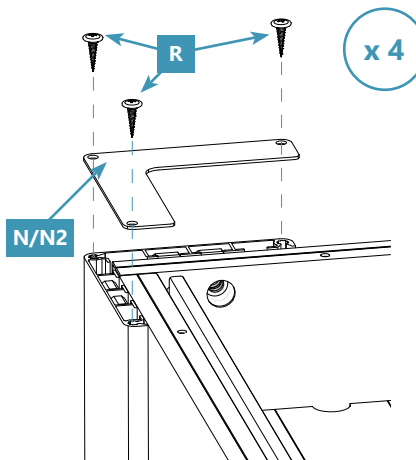
R x 12



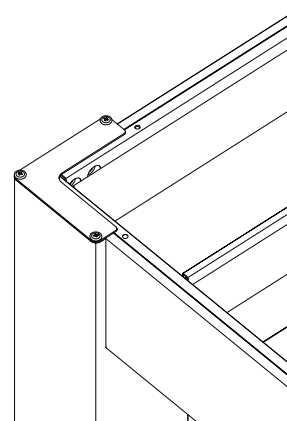
N x 3



N2 x 1



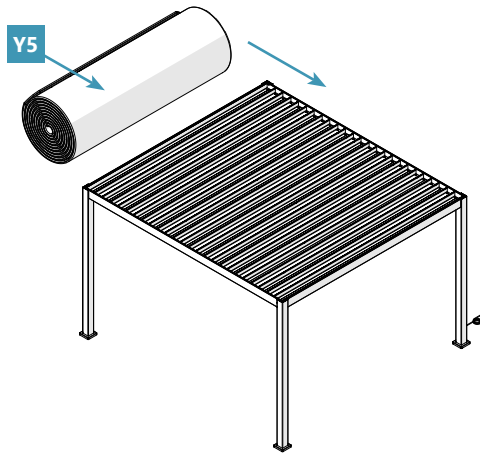
x 4



8F

Spread the canopy **Y5** on top of the assembled sheets so that it covers the entire top of the structure. Align the holes of the canopy **Y5** with the washers on each end of the sheets (**D1** & **D2**).

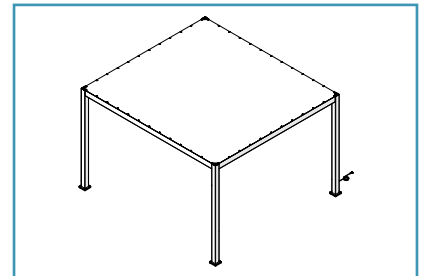
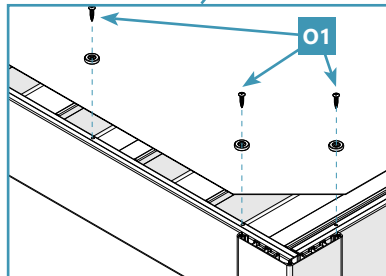
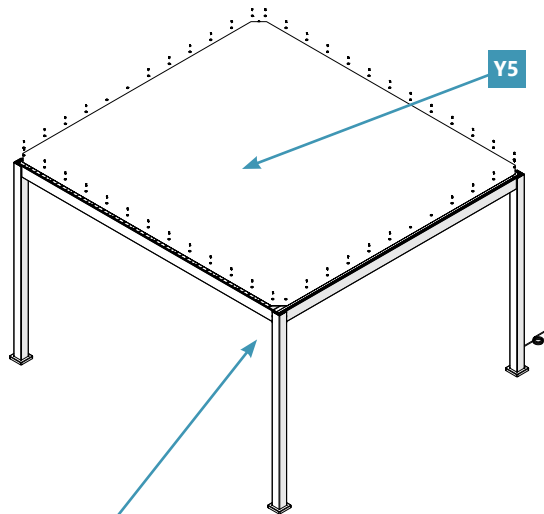
Y5 x 1



8G

Insert the screws **O1** through the holes of the canopy **Y5** on each end of the roof deck sheets (**D1** & **D2**).

Check that all screws are firmly fixed on the canopy **Y5**, as shown in the opposite figure.



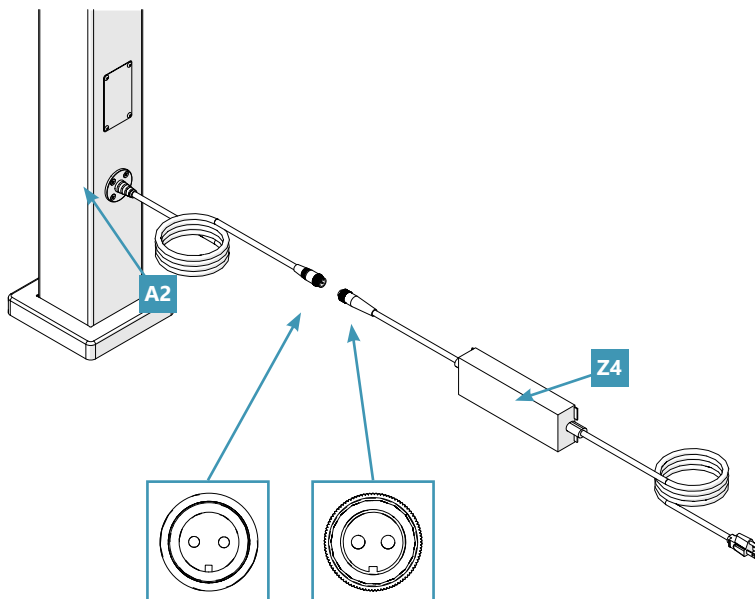
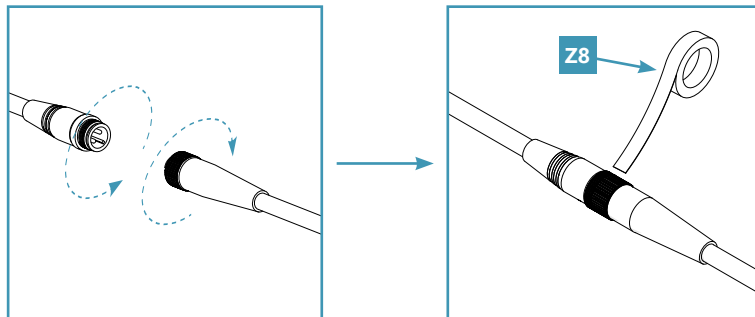
O1 x 58



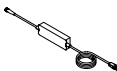
9. Finalize the electric connection and assemble the pillar cover

9A

Connect the cable on the base of the cabled corner pillar **A2** to the cable of the power supply adapter **Z4**.
Tighten firmly.



Z4 x 1



Z8 x 1



Tip:

It is recommended to wrap waterproof adhesive tape on the waterproof connectors to prolong their service life.

10. Secure the corner pillars to the ground

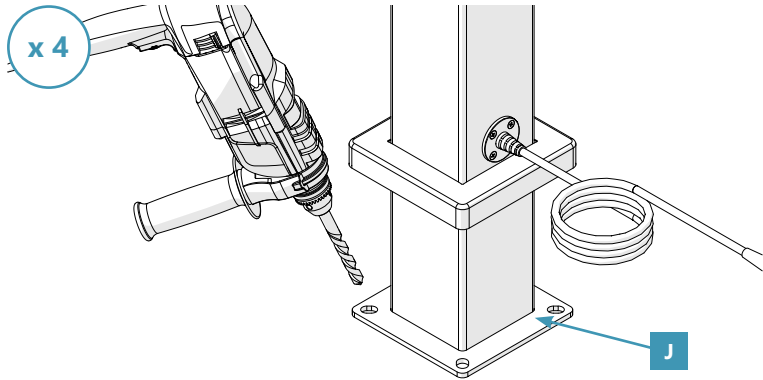
The gazebo must be firmly and permanently secured to the ground. If the ground is not level or suitable, please refer to the section "Before assembling your gazebo".

10A

To fix the corner pillars (**A** & **A2**) with the four foot plates **J** , drill through each hole with a hammer drill.



Z x 1

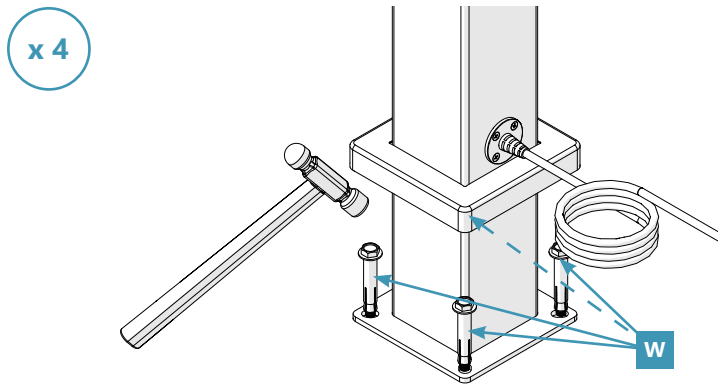


10B

Remove all the debris and dirt. Then firmly insert an anchor bolt **W** into each hole, using a hammer.

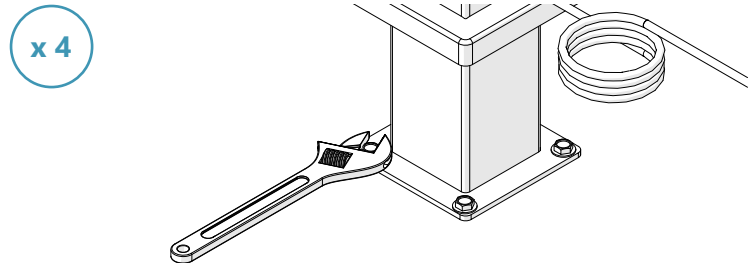


W x 16

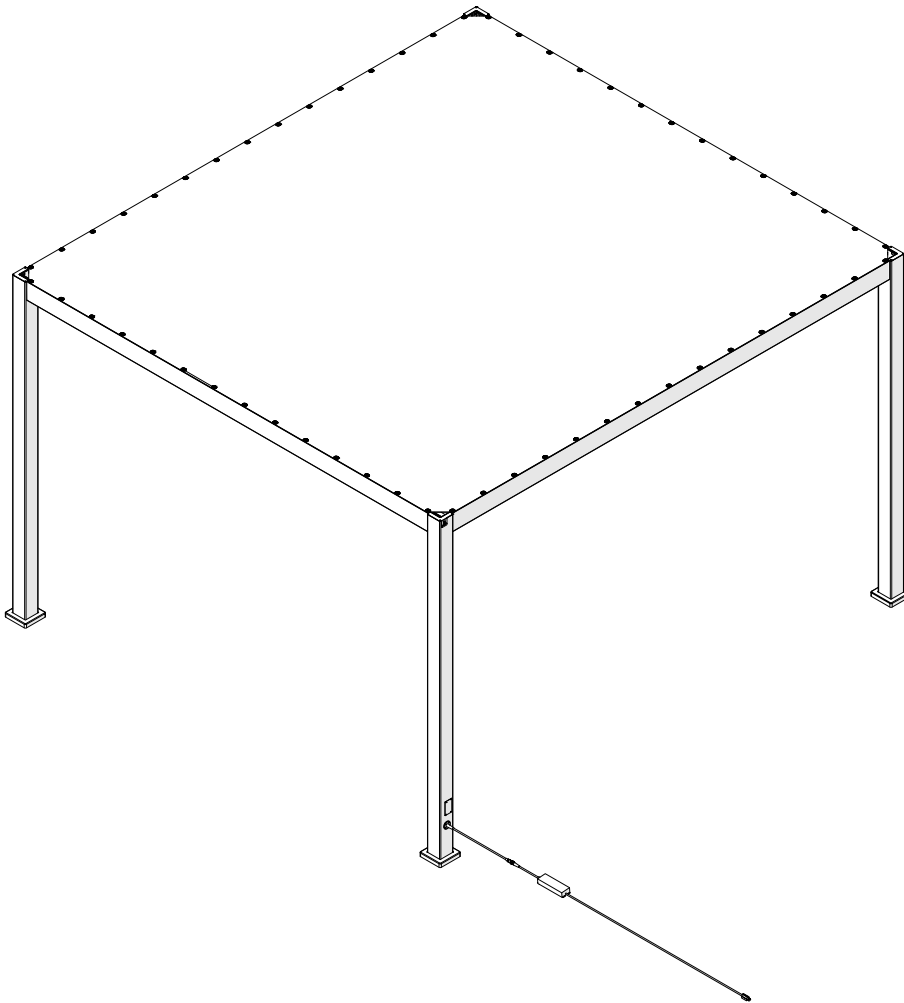


10C

Tighten the hexagonal ends of each bolt with a spanner/wrench.



12. End of assembly

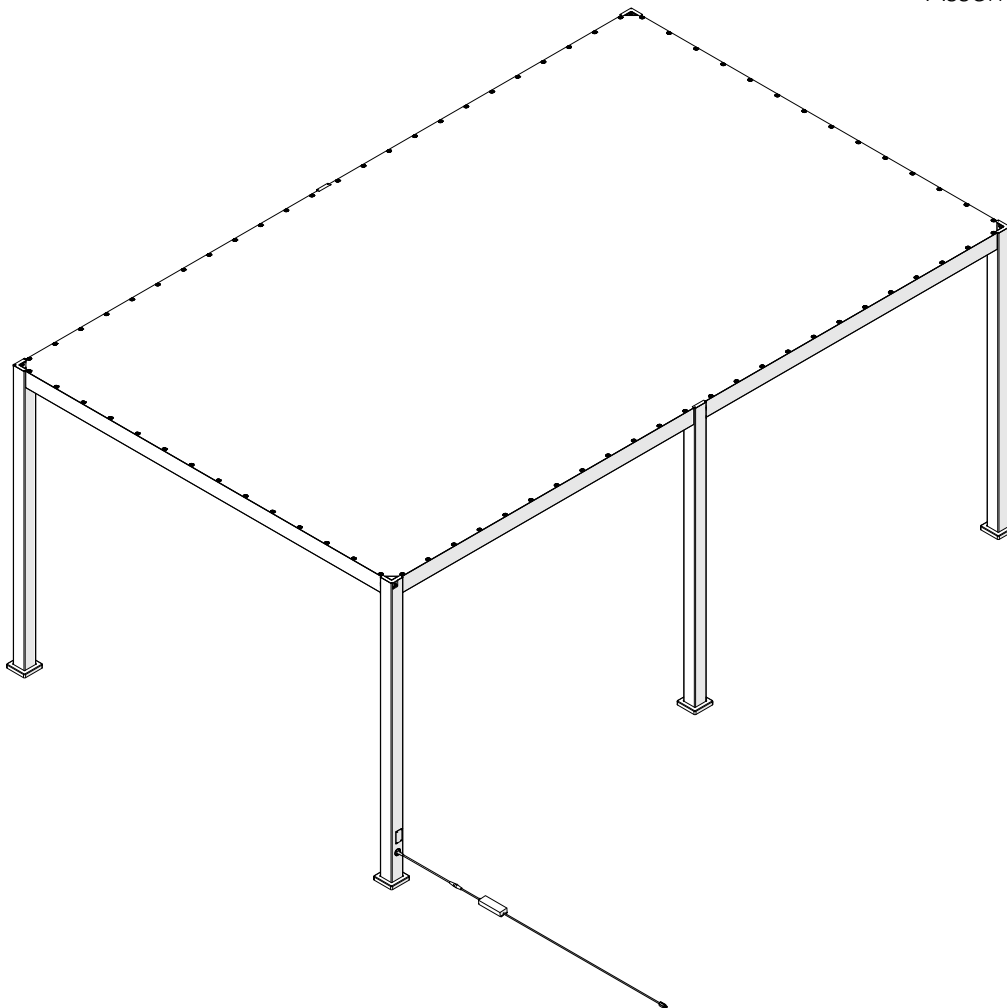


ASSEMBLY

6-pillar



Assembly Video



1. Set up the corner pillars

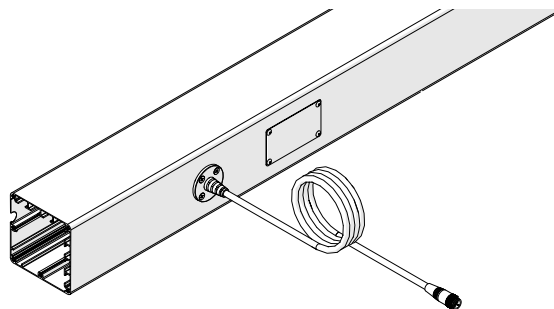
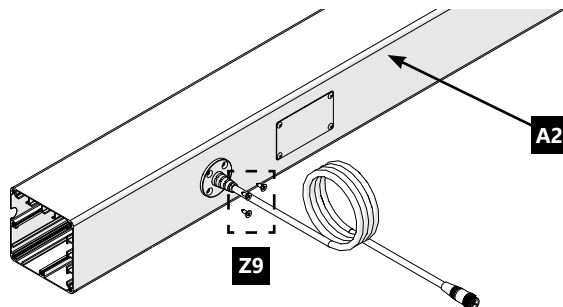
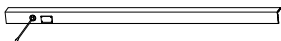
1A

Fix the cable flange with screws **Z9** onto the cabled corner pillar **A2**, and make sure the cable is hanging outside.

Z9 x 4



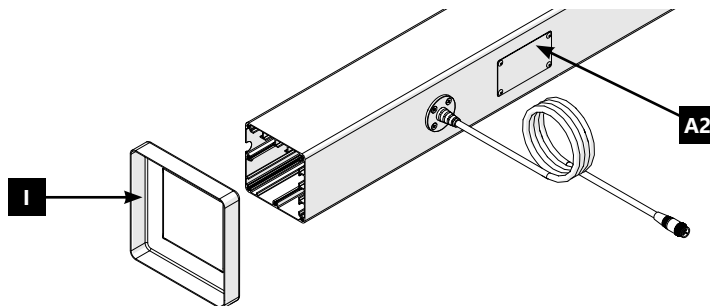
A2 x 1



1B

Slide the foot plate cover **I** with its wide opening facing outwards on the straight end of the cabled corner pillar **A2**.

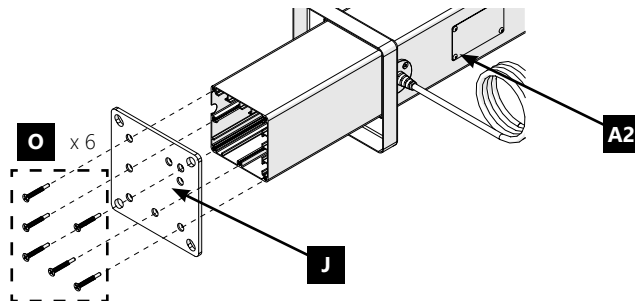
I x 1



1C

Push the foot plate **J** against the straight end of the cabled corner pillar **A2**. It only fits in one direction and in one position. If in doubt, rotate it until it fits easily.

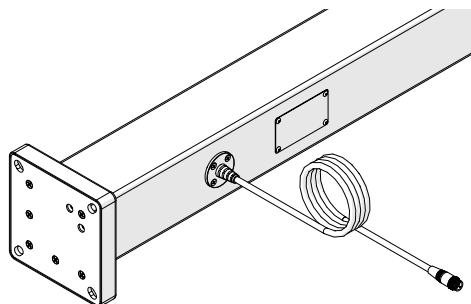
Screw in the foot plate **J** with 6 screws **O** using a cordless screwdriver.



O x 6



J x 1



1D

Repeat steps **1B** – **1C** to assemble the foot plates **J** of the 3 standard corner pillars **A** and 2 middle pillars **A1**.

I x 5



O x 30



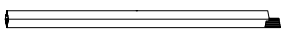
J x 5



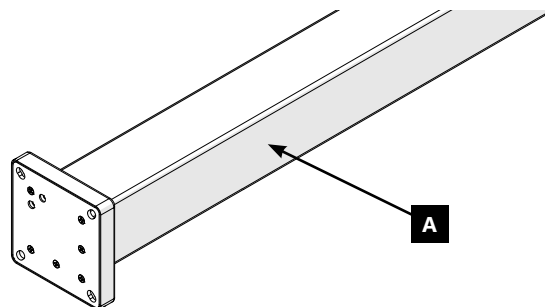
A x 3



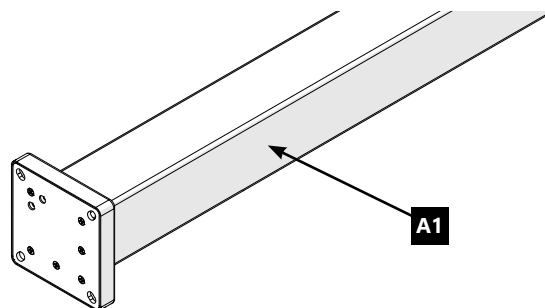
A1 x 2



x 3



x 2



2. Connect the side beams (**B1** & **B2**) to the cabled corner pillar **A2** and a standard corner pillar **A**

2A

Using a hex key (large) **Y**, slightly loosen the 4 built-in screws at the ends of side beam **B1** and side beam **B2**.

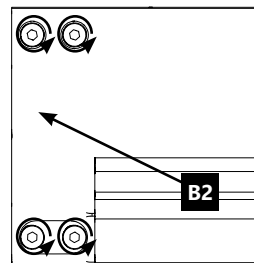
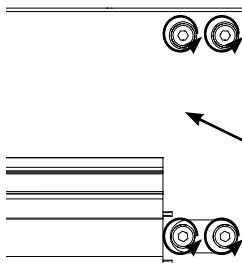
Y x 1



B1 x 1



B2 x 1



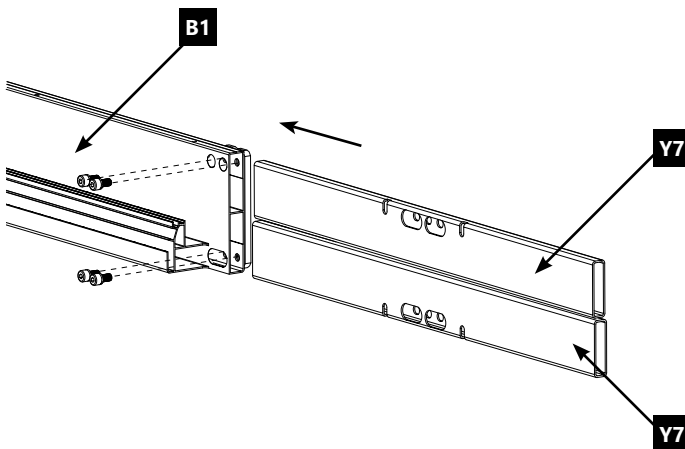
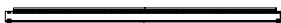
2B

Take two connector plates **Y7**, and put one on top of the other, as shown in the diagram. Position them so that the upper plate has its screw sockets at the top, and the lower plate has its screw sockets at the bottom.

Y7 x 2

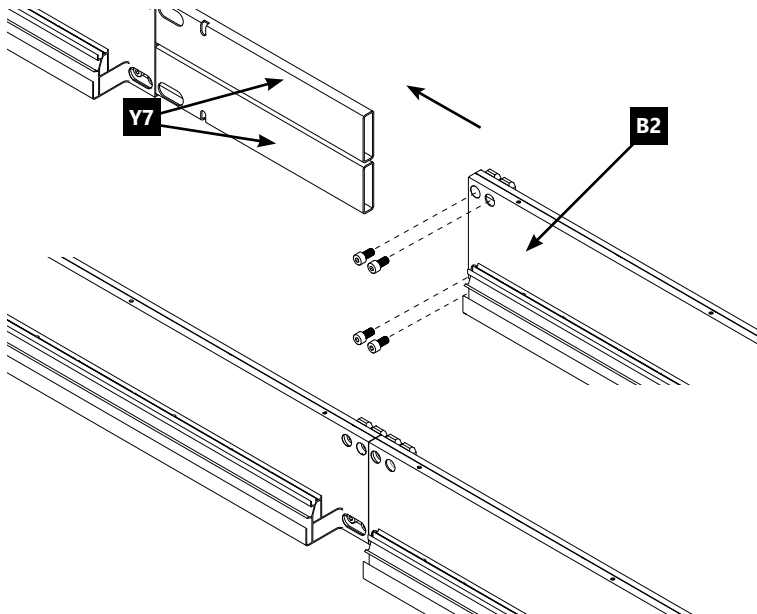


B1 x 1



Slide side beams **B1** and **B2** into the connector plates until the ends of beams **B1** and **B2** meet, making sure they are aligned with the screw holes and sockets.

Screw in and tighten the built-in screws using the hex key **Y**.



Y x 1

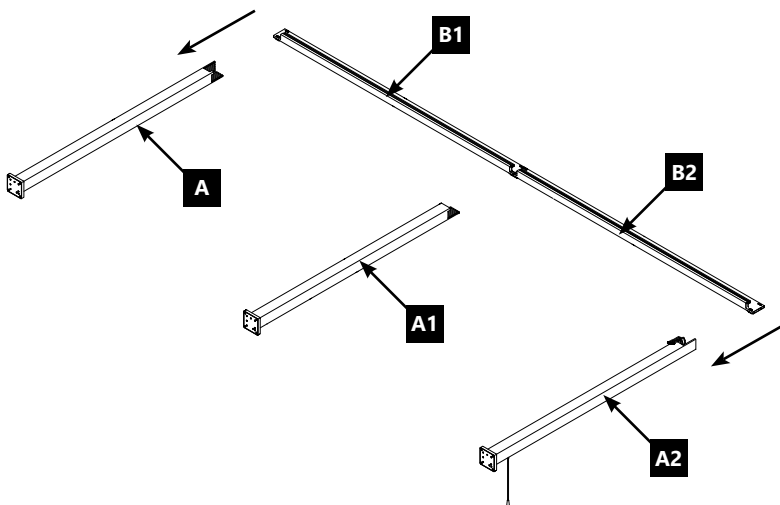


B2 x 1



2C

Align the newly connected side beams with the corresponding pillars (**A**, **A2** and **A1**).



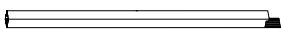
A x 1



A2 x 1



A1 x 1



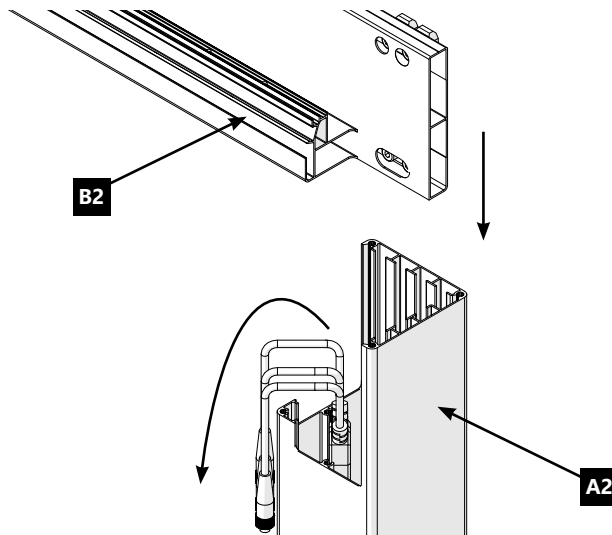
2D

Slide the side beam **B2** into the grooves of the cabled corner pillar **A2** in such a way that the slot nuts of the side beam **B2** interlock with the slots in the cabled corner pillar **A2**.

Warning:

Pull the cables out of the cabled corner pillar. Take care not to crush or squeeze the cables.

A2 x 1

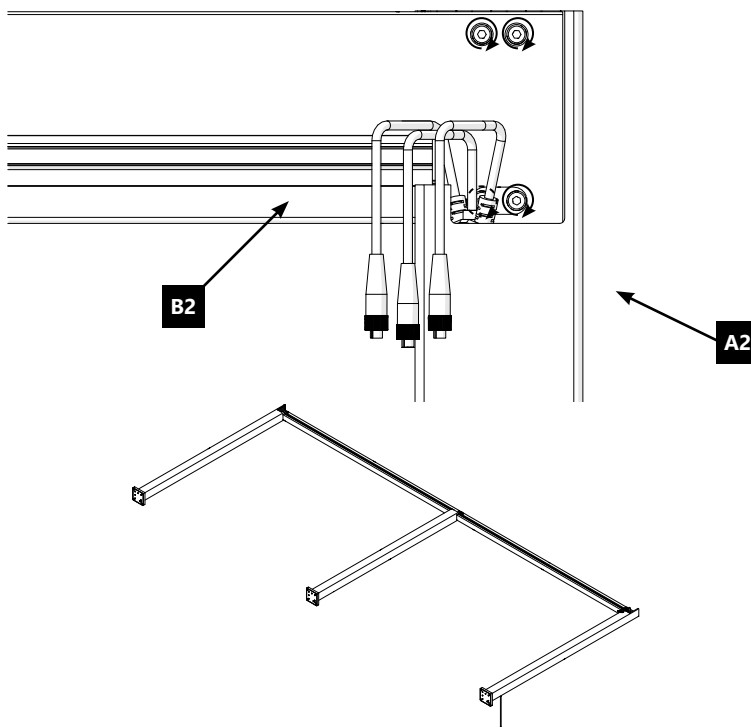


2E

Fix the side beam **B2** tightly onto the cabled corner pillar **A2** with the four built-in screws, using the hex key **Y** provided.

Keep the connected beams and pillars flat on the floor until completion of step **3**.

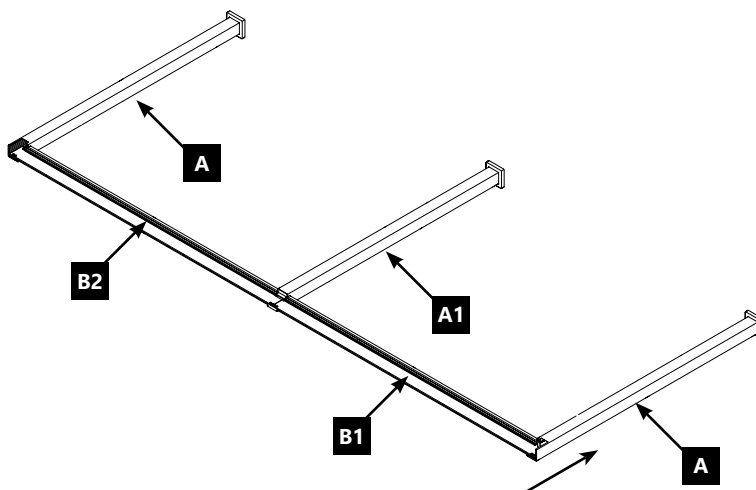
Y x 1



3. Connect the remaining side beams **B1** and **B2** to the remaining two standard corner pillars **A** , and the remaining middle pillar **A1**

3A

Repeat steps **2B** - **2E** to connect the remaining side beams **B1** and **B2** with the remaining two corner pillars **A** and the remaining middle pillar **A1**.



V x 1



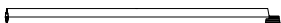
B1 x 1



B2 x 1



A1 x 1



A x 2



4. Slide in the two end beams

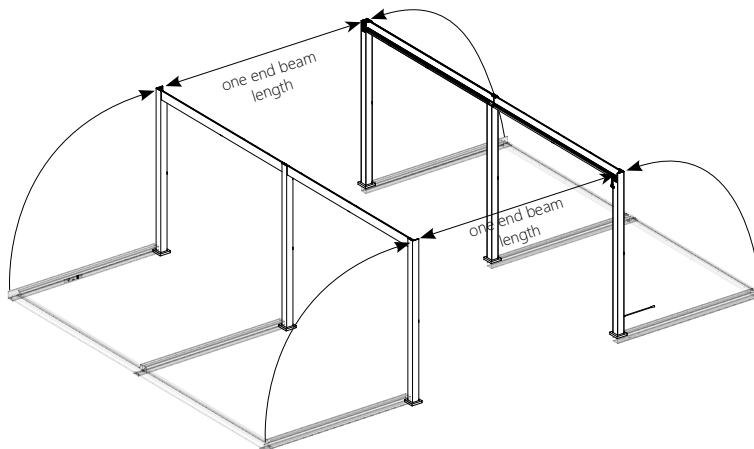
This phase requires six persons and at least two stepladders.
Make sure that the stepladders are standing securely to avoid falling.



Only use ladders suitable for this kind of installation work.

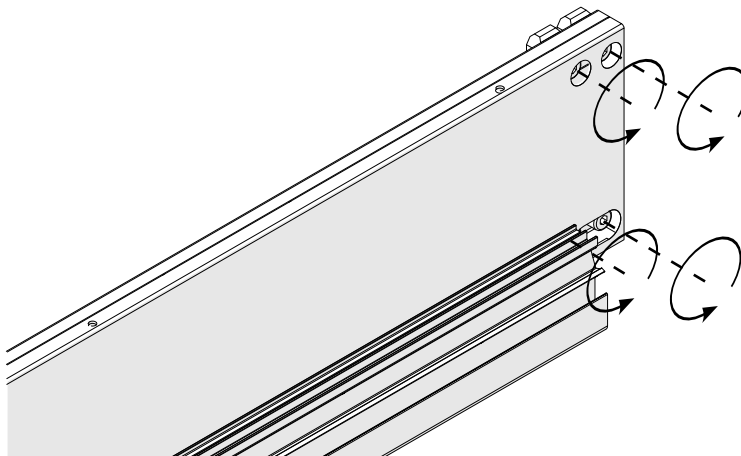
4A

Stand the two structures built during steps 2 and 3 in an upright position, and place them at one end beam length away from one another. Make sure that one person is supporting each leg (**A** **A1** & **A2**) to prevent the structures from falling.



4B

Slightly loosen the 8 built-in screws at both ends of the end beam **C**.



Y x1



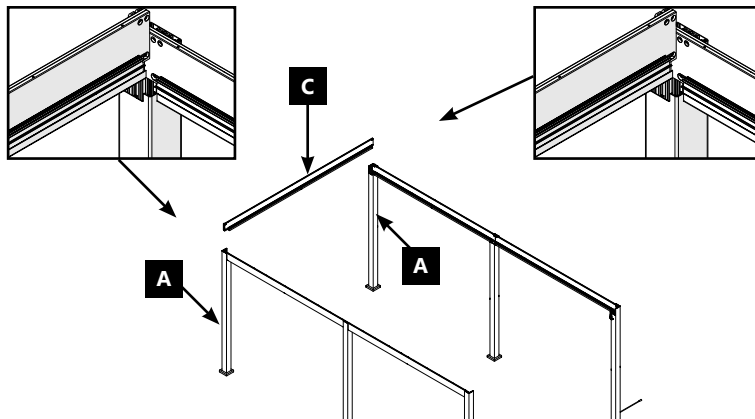
C x1



4C

Slide the slot nuts of the end beams **C** from above into the slots of the corner pillars **A**.

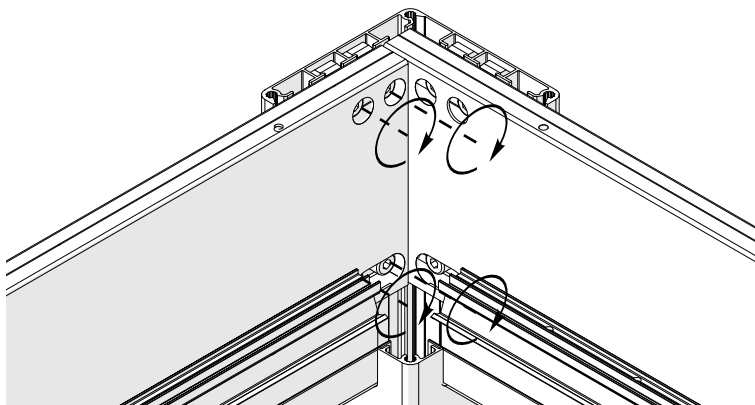
C x1



4D

Once the beam is in the correct position, tighten the 8 built-in screws on both ends using the ratchet hex wrench **Y6** provided.

Y6 x1



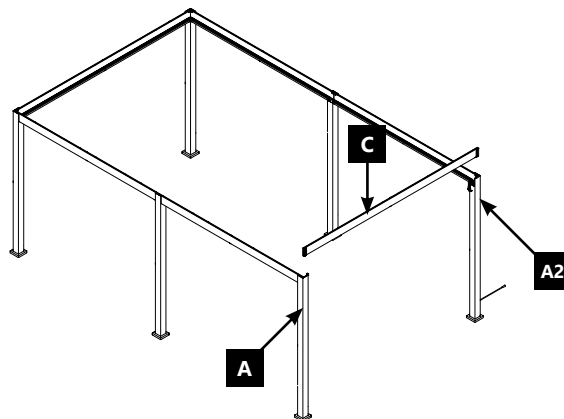
4E

Assemble the other end beam **C** by repeating steps **4B** - **4D**.

Y6 x1



C x1



5. Check the alignment of the frame and the distance between the corner pillars

You are now almost done assembling the main frame of the gazebo. Please double check to ensure all corner pillars, beams, and cables have been assembled and fitted correctly. You may have to unscrew certain bolts during this step.

You will also need a tape measure and a leveler to complete this step.

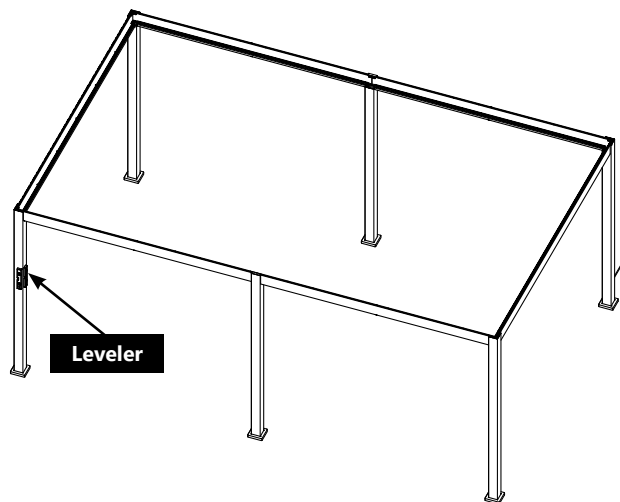
5A

Choose one of the corner pillars (**A** & **A2**) and work from this pillar. Choose this pillar carefully as it will define the final installation location of the gazebo.

Use a leveler to measure against both of the inner sides to ensure that the corner pillar is straight and level.



Make sure this corner pillar does not move position during the remaining installation steps.

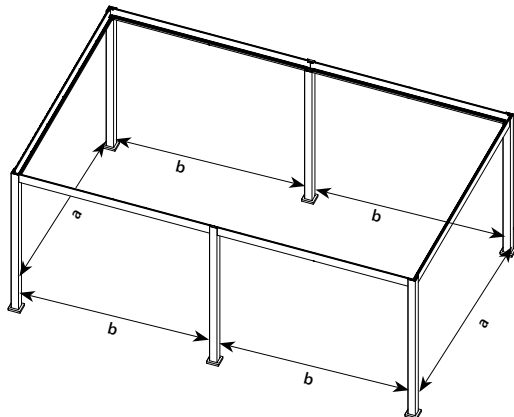


5B

Measure the distances between the adjacent corner pillars. Adjust accordingly and ensure the distances match those shown in the opposite figure.

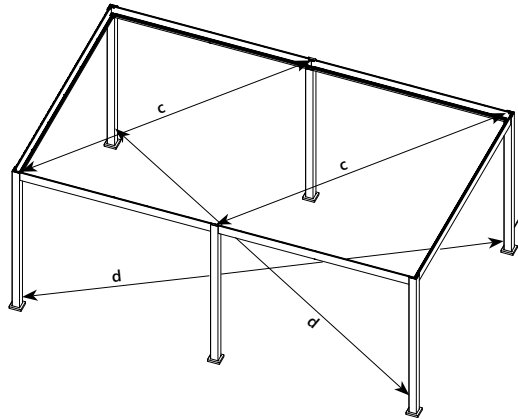


a = 3400mm / 133.9 inches
b = 2790mm / 109.8 inches



5C

Measure the diagonal distance between the opposite corner pillars. Adjust the other corner pillars accordingly until both diagonal distances are equal. You may have to repeat the above steps after completing the remaining steps.

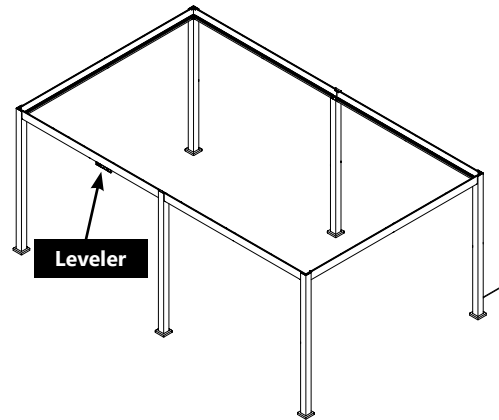


c = 4403mm / 173.3 inches
d = 6635mm / 261.2 inches



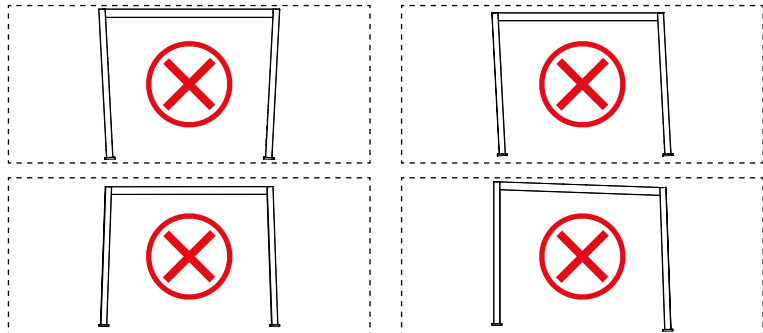
5D

Check that all corner pillars are straight and level using a leveler. If the corner pillars or beams are still not level, this means that your main building surface isn't sufficiently level, and that you will need to raise the corner pillars that are positioned lower than the others. (Contact qualified professional installers if needed.)



Warning:

If you do not adjust the main structure at this point, you may encounter problems when fitting the roof deck and/or accessories to the frame.



6. Assemble the LED strip lights

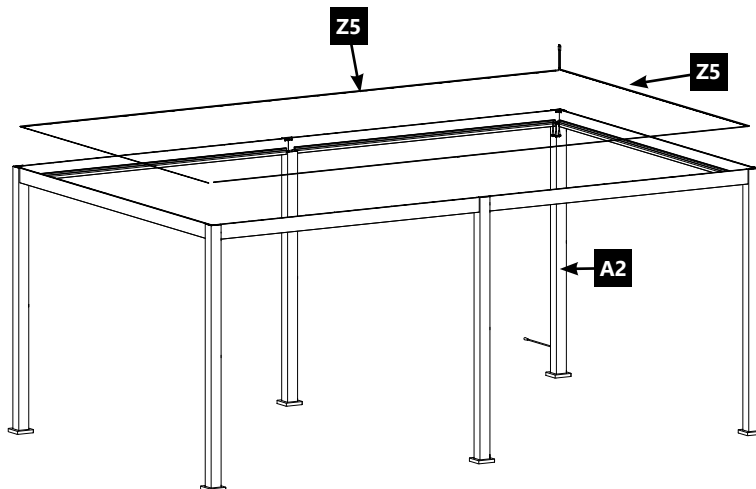
READ AND FOLLOW ALL SAFETY INSTRUCTIONS

- Do not cover this product as the covering may cause the flexible light to overheat and melt or ignite.
- Do not operate with the flexible light tightly coiled.
- Do not puncture, cut, shorten, or splice the flexible lighting.
- Do not route the cord or flexible lighting through walls, doors, windows or any like part of the building structure.
- Do not use if there is any damage to the light or cord insulation. Inspect periodically.
- Do not submerge flexible light in liquids, or use the product in the vicinity of standing water or other liquids.
- Secure this flexible light using only the hangers or clips provided. Do not secure this product or its cord with staples, nails, or like means that may damage the insulation or permanently attach to the building structure.
- Do not subject flexible lighting to continuous flexing.
- (For extendible units) Do Not Exceed The Length in Feet Permitted By The Marking.
- This product has a polarized plug (one blade is wider than the other) as a feature to reduce the risk of electric shock. This plug will fit in a polarized outlet only one way. If the plug does not fit fully in the outlet, reverse the plug. If it still does not fit, contact a qualified electrician. Do not use with an extension cord unless plug can be fully inserted. Do not alter or replace the plug. This item may be omitted if the product does not employ a polarized plug.

SAVE THESE INSTRUCTIONS

6A

Place both LED light strips **Z5** along the grooves on the side beams **B1** and **B2** and end beams **C**, as shown in the figure. Put the connection socket of the LED light strip **Z5** close to the cabled corner pillar **A2**, and put the tail of the LED light strip **Z5** into the top of the corresponding corner pillar if needed.



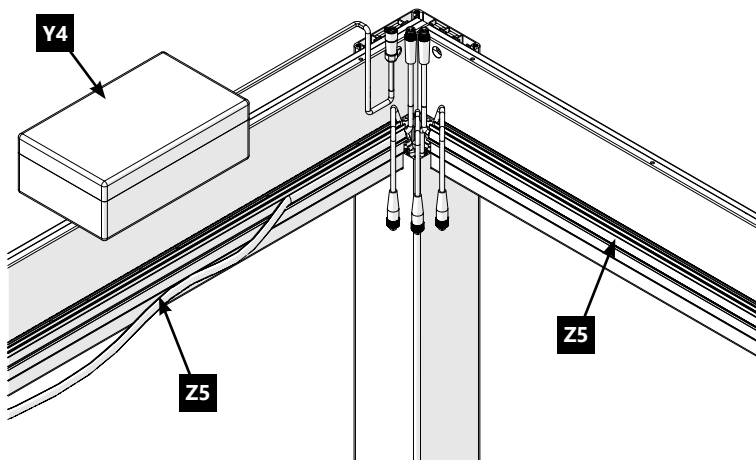
Z5 x 2



6B

As shown in the figure, press both LED light strips **Z5** firmly into the light strip slots one by one to ensure they are fitted evenly.

The control box may be temporarily hung from the beam if necessary.



Y4 x 1



Z5 x 2



7. Connect the power cables of the LED strip lights **Z5**

7A

Connect the cable connector (5-pin) of the cabled corner pillar **A2** to the cable connector (5-pin) of the control box **Y4**.

Connect the cable connector (4-pin) of the LED light strip **Z5** to the corresponding connector socket of the cabled corner pillar **A2**. Then tighten the waterproof connector (there is no need to differentiate the plug sockets of the two light strips as they are the same).

Tip:

It is recommended to wrap waterproof adhesive tape on the waterproof connectors to prolong their service life.

Y4 x 1



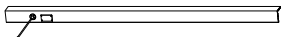
Z5 x 1



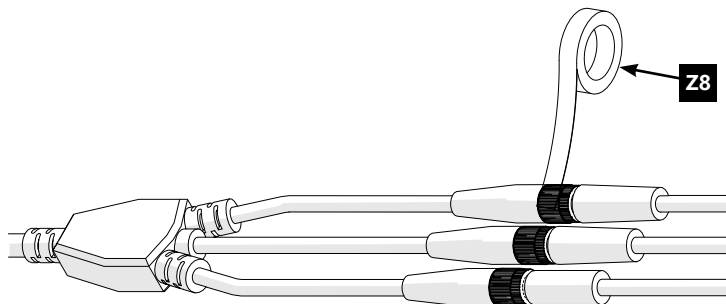
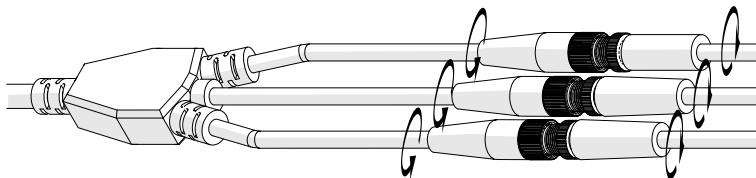
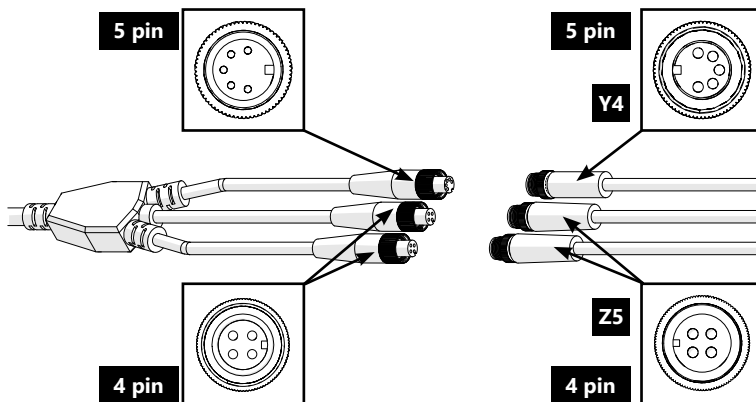
Z8 x 1



A2 x 1

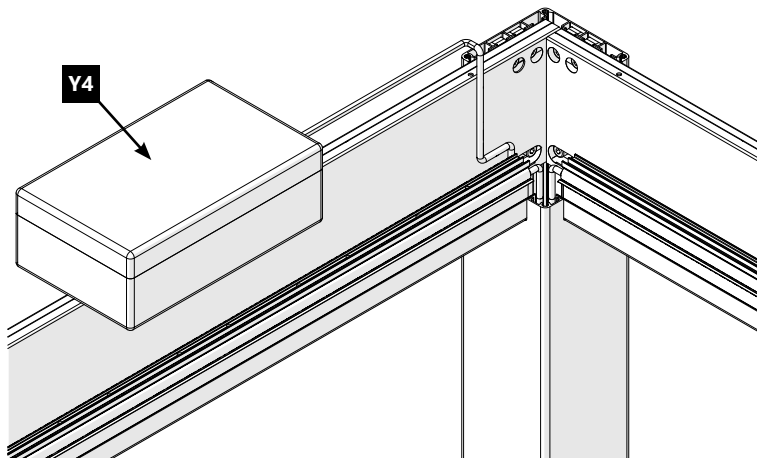


B x 1



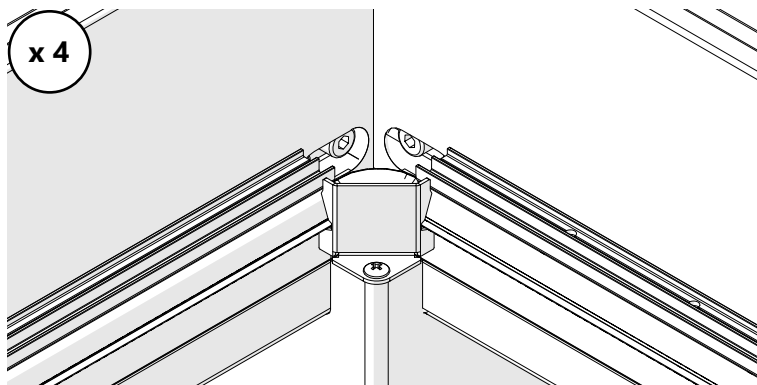
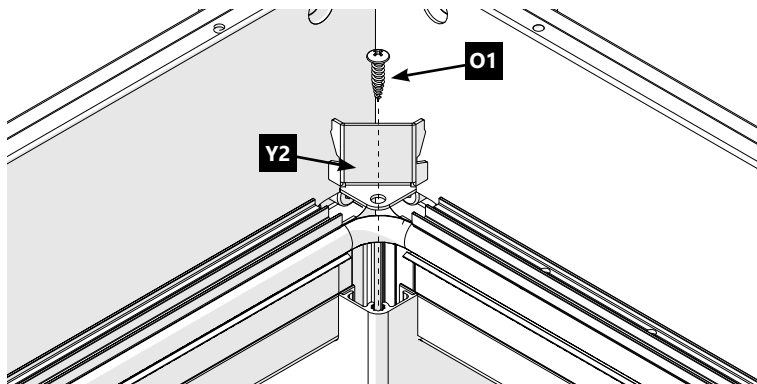
7B

Carefully tuck all connected cables and connectors at the top of the structure back into the corner pillar.



7C

Attach and assemble the corner fittings **Y2** with the screws **O1**.



Y2 x 4



O1 x 4



7D

Attach and assemble the middle fittings **Y8** with the screws **O1**.

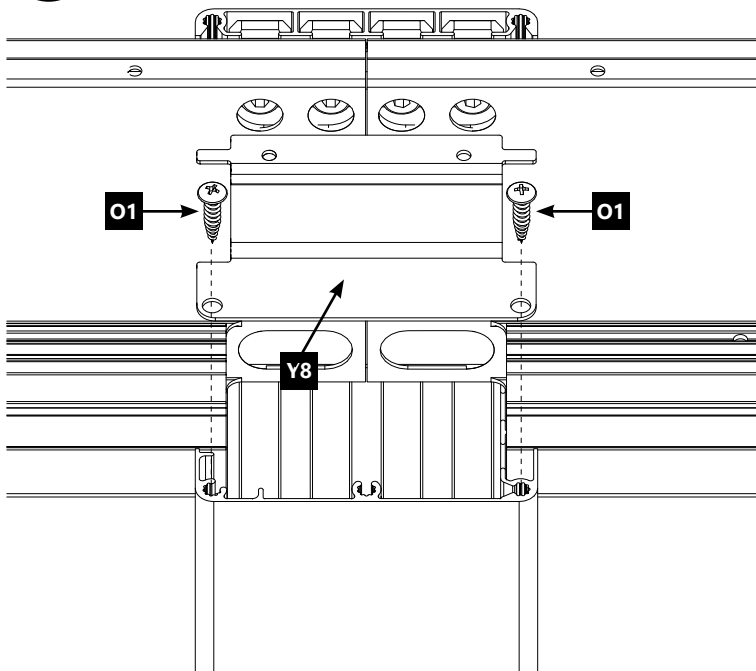
Y8 x 2



O1 x 4



x 2

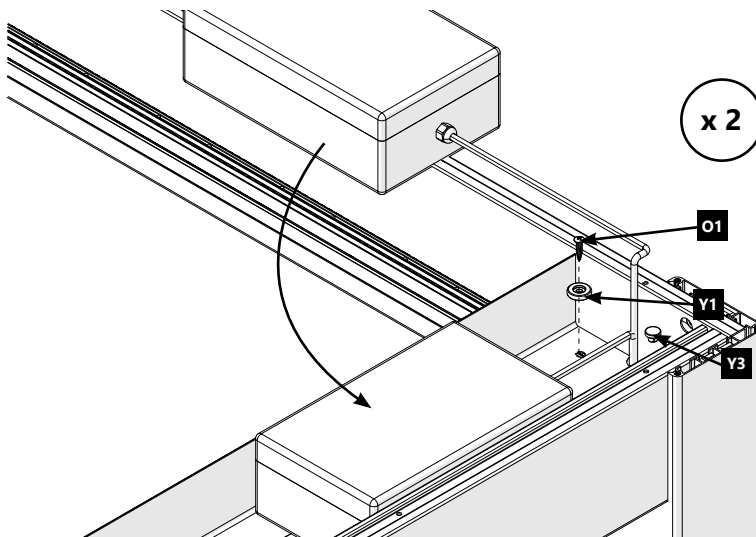
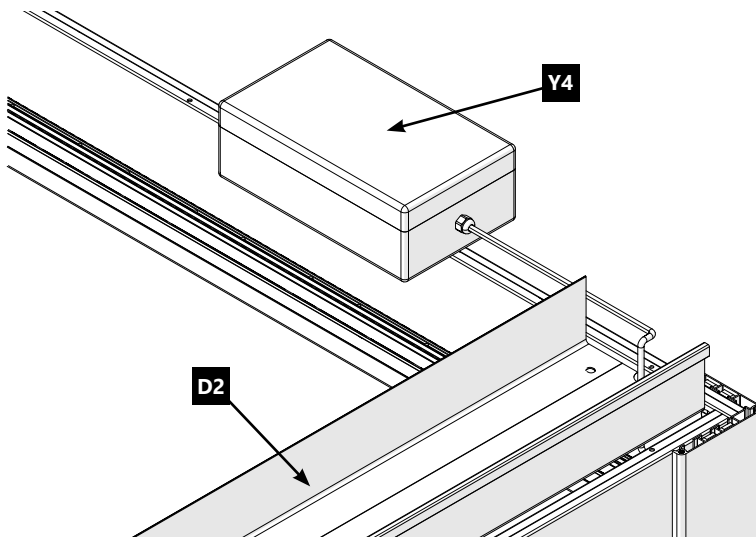


8. Assemble the roof deck sheets **D1** & **D2** and canopy **Y5**

8A

Take a roof deck sheet (wide) **D2** and place it at the right end of the structure, so that it makes contact with the cabled corner pillar **A2**. Please ensure the cable passes through the cutout at the end of the roof deck sheet (wide) **D2**.

Carefully fit the light control box into the roof deck sheet (wide) **D2**. Secure the box in place with a screw **O1**, a pin washer **Y1**, and a plastic pin **Y3** at each end of the roof deck sheet (wide) **D2**.



O1 x 2



Y1 x 2



Y3 x 2



Y4 x 1



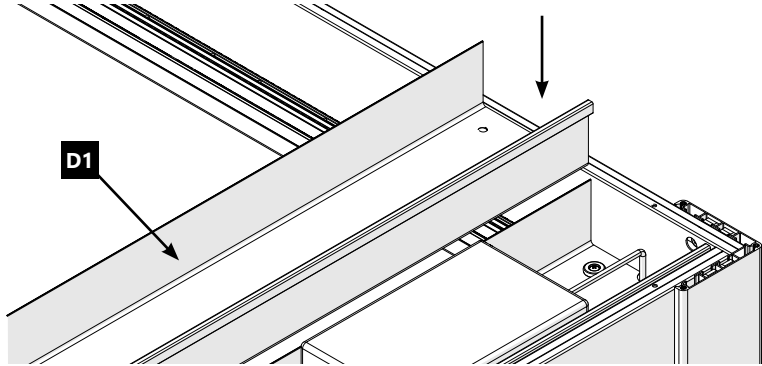
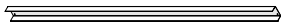
D2 x 1



8B

Take a roof deck sheet (narrow) **D1** and place it next to the roof deck sheet (wide) **D2** so that it overlaps onto the roof deck sheet (wide) **D2**.

D1 x 1



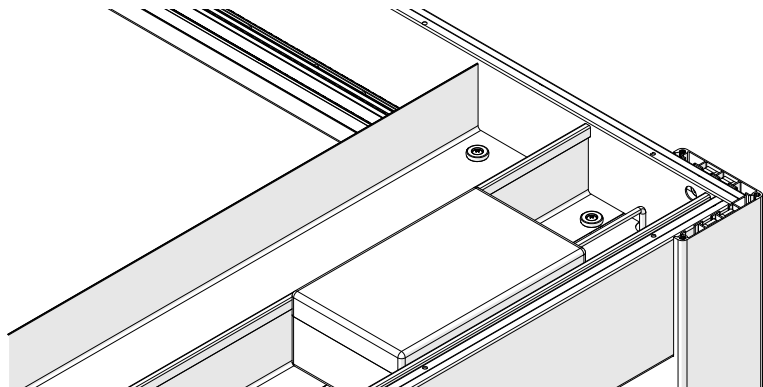
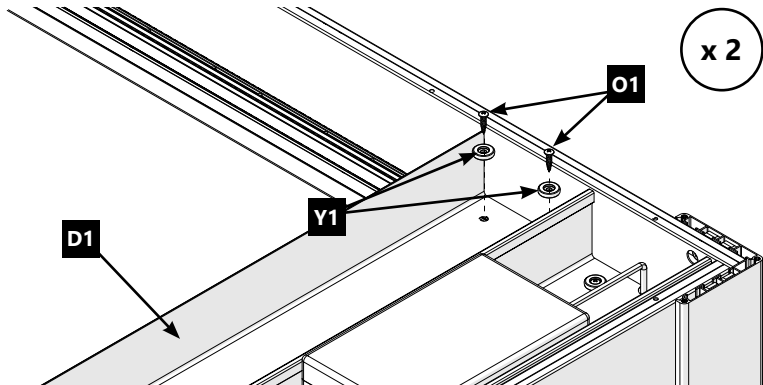
8C

Secure the roof deck sheet with two screws **O1** and two pin washers **Y1** at each end of the deck sheet.

O1 x 4

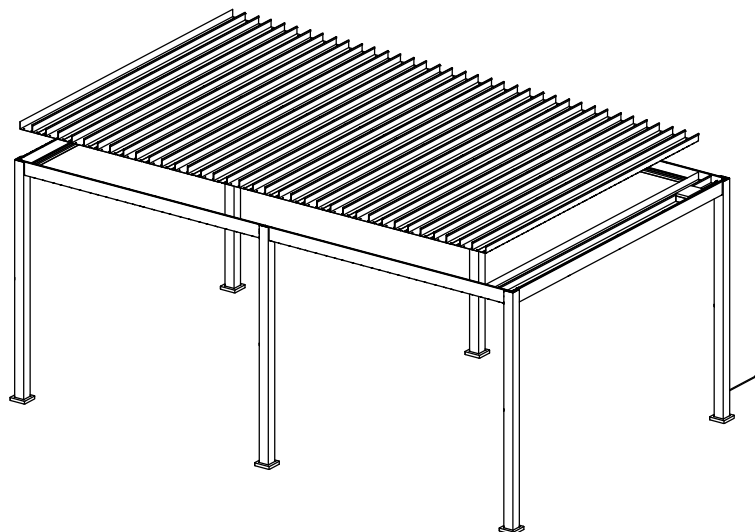
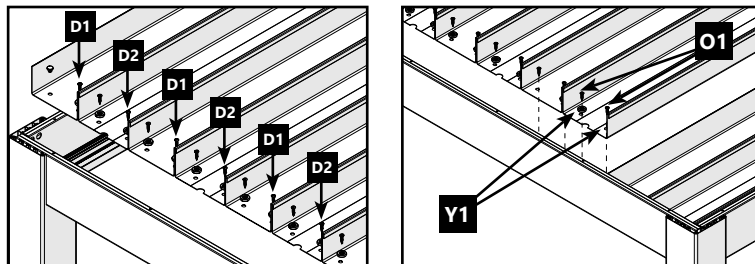


Y1 x 4



8D

Repeat steps **8A** - **8C**, placing the roof deck sheets (wide) **D2** and roof deck sheets (narrow) **D1** alternately until the entire top of the structure is covered. Secure each sheet with two screws **O1** and two pin washers **Y1** at each end of each sheet, except for the final roof deck sheet (wide) **D1**, which should be secured with one screw **O1**, one pin washer **V1**, and one plastic pin **Y3**.



O1 x 142



Y1 x 142



Y3 x 2



D1 x 18



D2 x 18



8E

Fix a corner pillar cover **N/N2** to the top of each corner with three screws each **R**. Fix them using a cordless screwdriver.

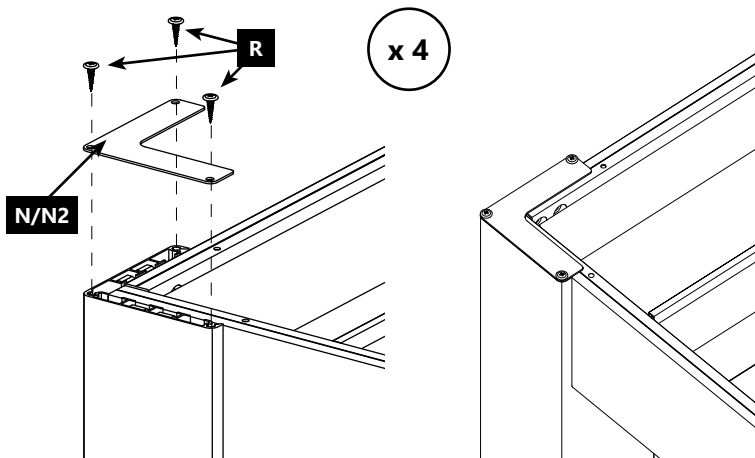
R x 16



N x 3



N2 x 1



8F

To assemble the middle pillar covers, fix a middle pillar cover **N1** to the top of each middle pillar with two screws each. Fix them using a cordless screwdriver.

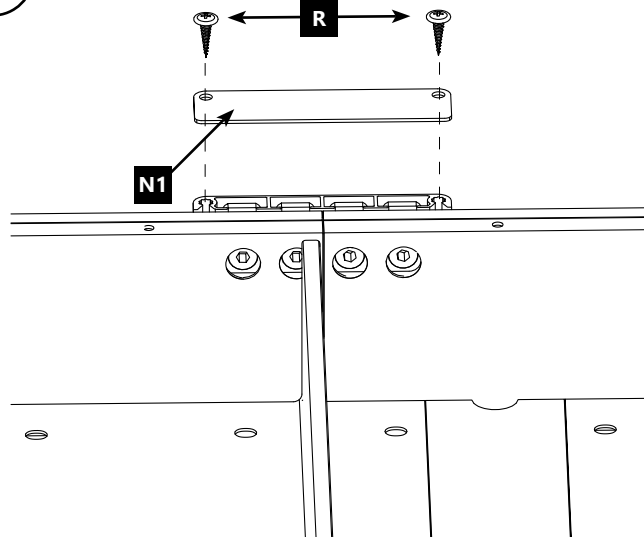
R x 4



N x 2



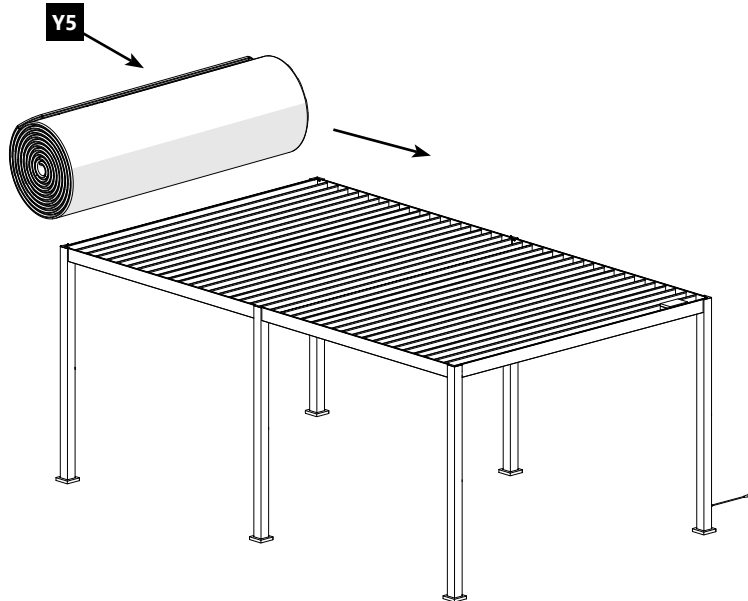
x 2



8G

Spread the canopy **Y5** on top of the assembled sheets so that it covers the entire top of the structure. Align the holes of the canopy **Y5** with the washers on each end of the sheets (**D1** & **D2**).

Y5 x 1



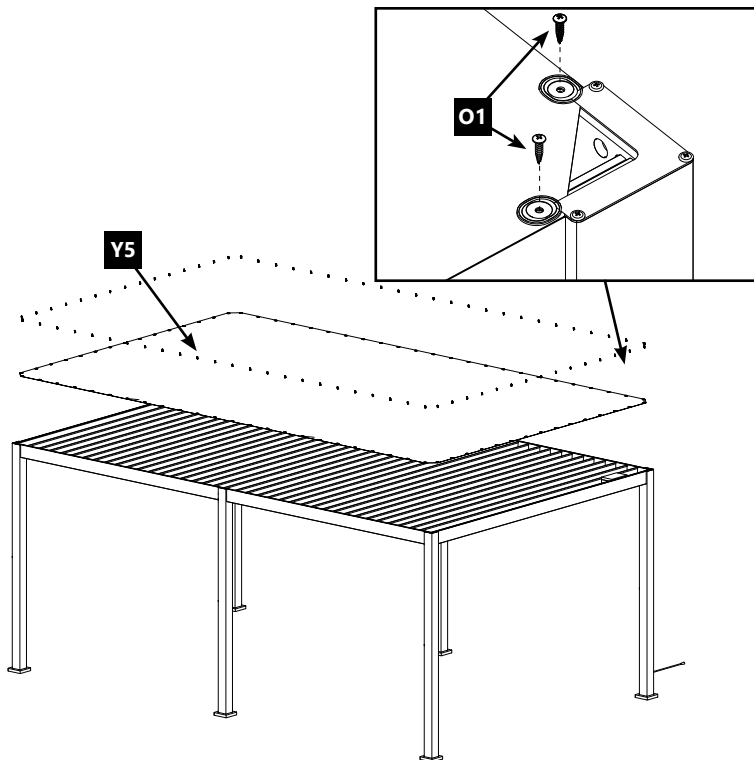
8H

Insert the screws **O1** through the holes of the canopy **Y5** on each eand of the roof deck sheets (**D1** & **D2**).

O1 x 76

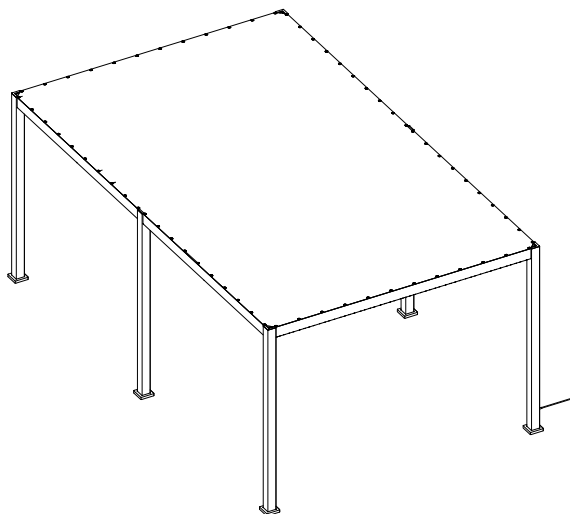


Y5 x 1



8I

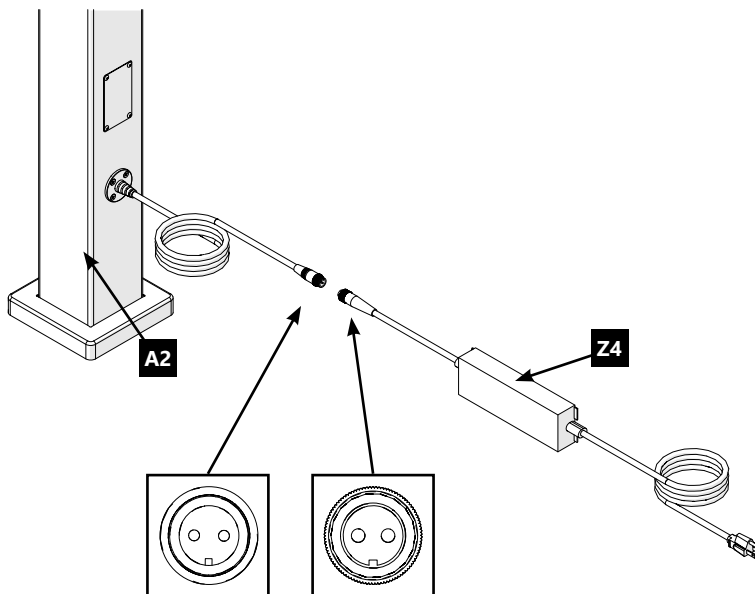
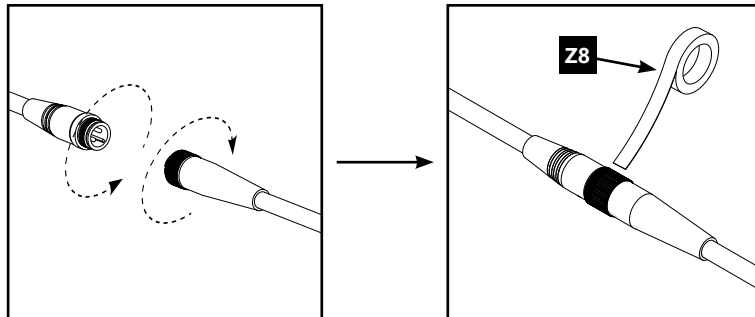
Check that all screws are firmly fixed on the canopy **Y5** , as shown in the opposite figure.



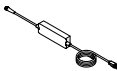
9. Finalize the electric connection and assemble the pillar cover

9A

Connect the cable on the base of the cabled corner pillar **A2** to the cable of the power supply adapter **Z4**. Tighten firmly.



Z4 x 1



Z8 x 1



Tip:

It is recommended to wrap waterproof adhesive tape on the waterproof connectors to prolong their service life.

10. Secure the corner pillars to the ground

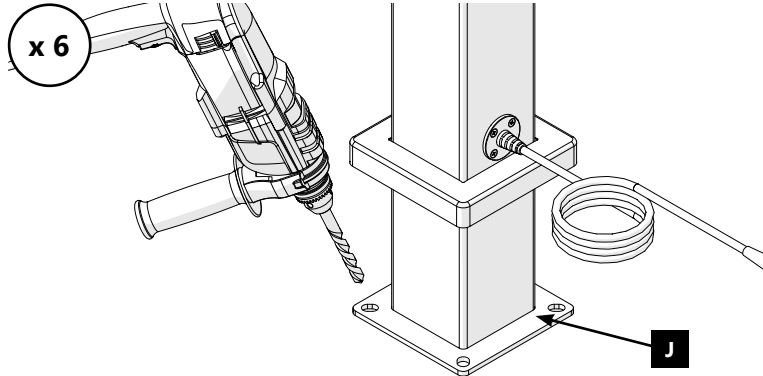
The gazebo must be firmly and permanently secured to the ground. If the ground is not level or suitable, please refer to the section "Before assembling your gazebo".

10A

To fix the pillars **A**, **A1**, and **A2** with the foot plates **J**, drill through each hole with a hammer drill.



Z x 1

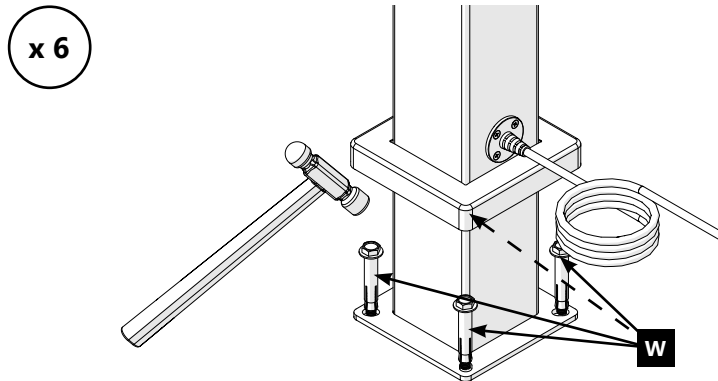


10B

Remove all the debris and dirt. Then firmly insert an anchor bolt **W** into each hole, using a hammer.

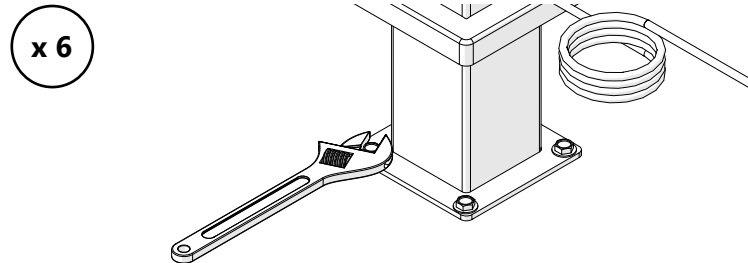


W x 24

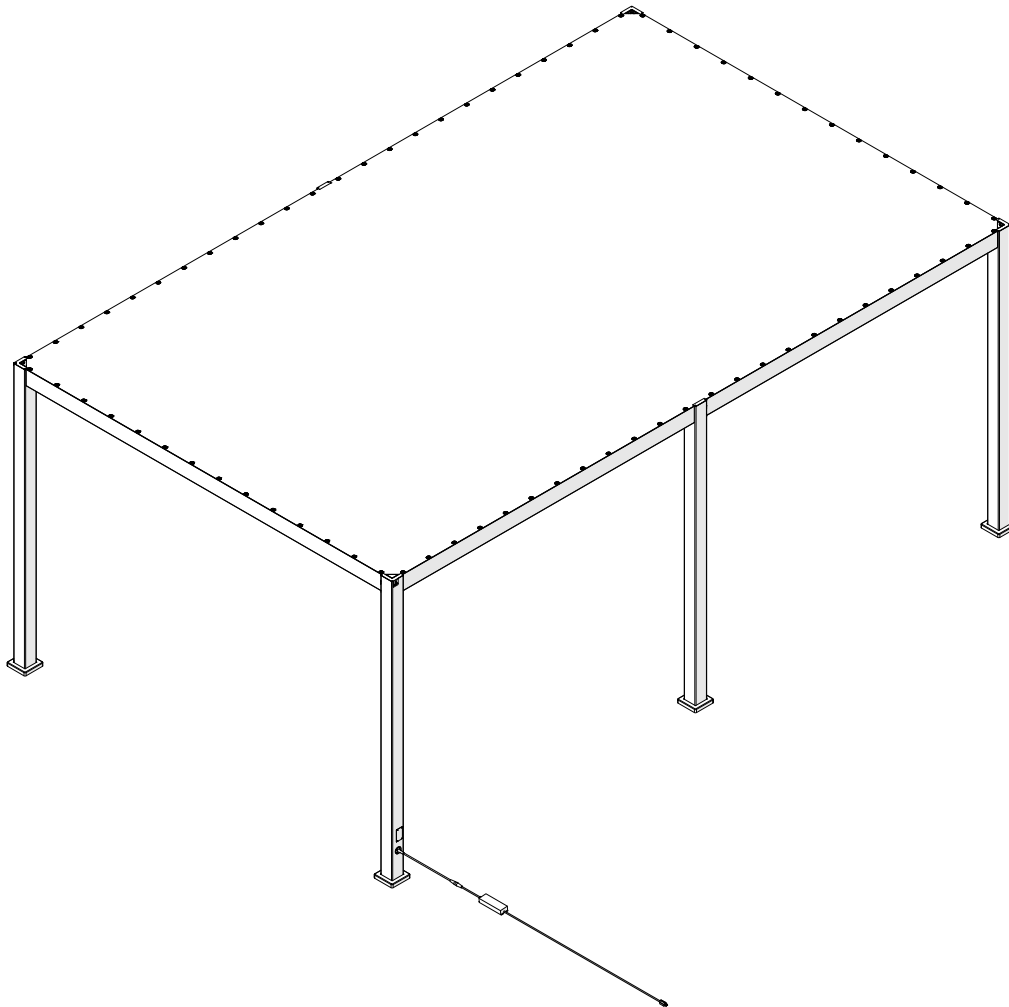


10C

Tighten the hexagonal ends of each bolt with a spanner/wrench.



11. End of assembly



OPERATING YOUR GAZEBO

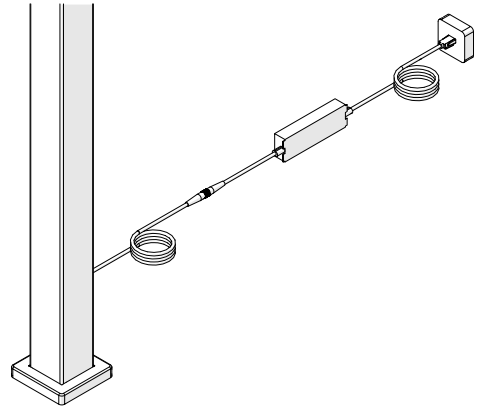
Plug the power supply adapter into the mains

The LED light will light up for two seconds and then turn off to indicate that the device has successfully powered on.

If no light is observed, please make sure you have correctly followed all the connection instructions outlined in the assembly steps [7A](#) & [9A](#).

Warning:

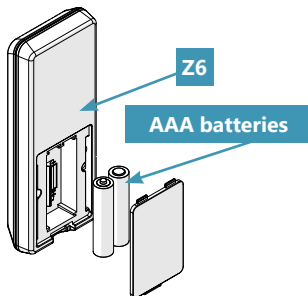
To reduce the risk of electric shock, this equipment has a polarized plug (one blade is wider than the other). This plug will fit in a polarized outlet only one way. If the plug does not fit fully in the outlet, reverse the plug. If it still does not fit, contact a qualified electrician to install the proper outlet. Do not change the plug in any way.



Operate with the remote control

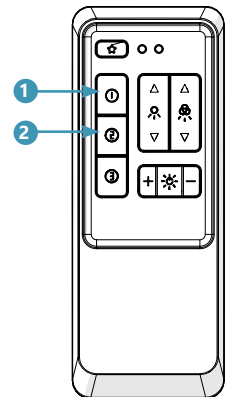
Insert the AAA batteries into the remote control [Z6](#) and press the appropriate buttons for lighting or louver adjustments.

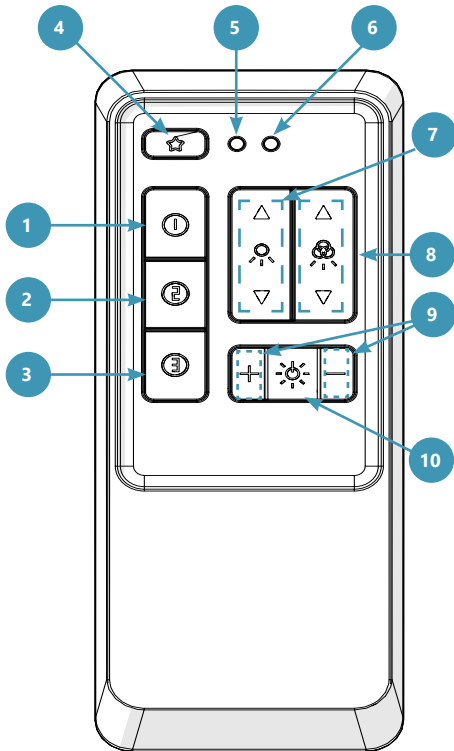
If you encounter issues controlling the lights or notice a delay while switching through the remote control, please re-pair the remote by following the **Pairing** steps outlined below.



Pairing:

1. Unplug the power supply and remove the battery from the remote control.
2. Wait for **15 seconds**, then reconnect the power supply and reinstall the battery in the remote control, make sure batteries are not worn out and that they are inserted correctly.
3. Once the light on the remote begins to flash, it indicates pairing mode has been activated. Please complete the pairing process **within 5 minutes** of reconnecting the power.
4. Simultaneously press and hold both **1** and **2** on the remote control.
5. After successful pairing, the light strip will flash twice.















Key	Button/Light	Function
1	Store favorite 1	Three favorite light modes can be stored. To store your favorite light mode, press and hold the star button 4. When the left light 5 starts flashing, press buttons 1, 2 or 3 to save your favorite light settings. The settings will be saved successfully after releasing the button. The left light 5 will then turn off.
2	Store favorite 2	
3	Store favorite 3	
4	Add favorite light setting	Long press for 2 seconds, light 5 will then flash to activate the favorites mode setting.
5	Left light	LED to show favorites mode setting status .
6	Right light	LED indicator for sending signals.
7	Select color (△ and ▽)	Toggle between single colors R, G, and B. (seven variations in total)
8	Select dynamic lighting (△ and ▽)	Select from 8 dynamic lighting modes.
9	Increase/Decrease brightness	Press + to increase and - decrease brightness, 5 levels in total.
10	On/Off	Light Strip On/Off Automatically returns to the last closed state when switched on.

PROBLEM SOLVING, CARE & MAINTENANCE

Issue	Explanation or action to take
The LED light strip is deformed after removing it from the packaging.	Expand the light strip and leave it at room temperature for a period of time until its shape is restored before installing it.
The surface of the LED light strip oxidizes and changes color after long-term use.	Regularly clean the surface to ensure cleanliness. If necessary, order a replacement light strip.
The remote control cannot be paired with the control system.	Check if the product is powered on. Check if the remote control battery is installed or if the battery is depleted. If the problem still persists, please contact customer service.
During operation, the product takes time to respond, or the app does not operate in real-time.	Check the local network signal strength.
Some of the light beads on the LED light strip do not work according to the instructions.	Replace the light strip.
The flatness of the deck sheets is damaged due to weather conditions.	Replace the affected deck sheets.
The drain is blocked by leaves or debris.	Clean the ducts and guttering of the gazebo regularly.

GENERAL CARE & MAINTENANCE

<p>Dust and dirt will collect on the gazebo and will require periodic cleaning.</p>	<p>Use a water/detergent mixture and a soft clean cloth to clean the gazebo.</p>	<p>Air dry or wipe with a soft clean cloth.</p>	<p>For more soiled areas, rinse the surface with clean water from top to bottom.</p>	<p>In most situations it should not be necessary to lubricate the moving components of the gazebo. However, when squeaking occurs, using a silicone spray lubricant is recommended.</p>
				 <p>Silicone based</p>
<p>Do not use any petroleum based spray lubricant.</p>	<p>In coastal areas, it is recommended that you frequently spray the gazebo with water to reduce accumulation of salt and dirt.</p>	<p>Disconnect the cables if the gazebo is not being used for long periods.</p>	<p>When the temperature is below 0°C/32°F, it is recommended to use the product less frequently to prolong the product's service life.</p>	<p>The drive shall be disconnected from its power source during cleaning, maintenance and when replacing parts.</p>
 <p>Petroleum based</p>			 <p>< 0°C / 32°F</p>	

PERIODIC INSPECTION

Frequently examine the installation for imbalance and signs of wear or damage to cables and springs. Do not use if repair or adjustment is necessary.

- Check the gazebo is fixed firmly to the ground.
- Check the gazebo's mobile components are in good working order.
- Check that the driving parts are sufficiently lubricated.
- Check the condition of the electrical cables and inspect their mains connection.
- Check the screws and rivet joints on the gazebo.
- Check of the condition of mobile roof and bearings.

WARRANTY & COMPLAINTS PROCEDURE

For terms and conditions of our limited warranty, please visit www.miradoroutdoor.com or contact your local Mirador sales representative.

Complaints procedure:

- The complaint must include an order number or transaction number. Goods without an order number or transaction number are not covered under the warranty.
- The complaint must include a detailed description of the defect, the name of the company which assembled the product if 3rd party was used and the date when the defect was discovered.
- At Sorara Outdoor Living USA Inc's discretion, customer must offer supplier the photos/videos of the issue/damaged parts. Otherwise, supplier reserves the right to refuse replacement parts or credit.
- Please save a copy of your purchase receipt.

Contact:

Customer Service: support@miradoroutdoor.com

Need Assistance? Call +1 (877)-506-4777

Hours of Operation:

Phone Support: Monday - Friday: 6:30 am - 4:30 pm, Saturday – Sunday: 8:30 am – 4:30 pm, PST.

Email Support: We are available 24 hours a day. Please allow up to 24 hours for a response.

Chat With Us Online: miradoroutdoor.com, Monday - Friday: 5:30 am - 2:00 pm, Saturday – Sunday: 8:30 am – 4:30 pm, PST.

Note: Our team is available to assist you during these hours. If you have any inquiries or require support outside of these hours, please leave a voicemail, send an email, or use our online contact form. We will get back to you promptly during the next available support hours. Thank you for choosing Mirador Outdoor!

DISASSEMBLY & DISPOSAL OF THE PRODUCT

When the service life of the gazebo is over, it is necessary to disassemble it for disposal and to sort the individual materials and components in compliance with the local regulations of your country.

Incorrect disassembly of the gazebo may lead to serious injury and product damage.

Disassembly should be assigned to qualified personnel with adequate training within the scope of occupational health and safety and knowledge within the scope of recycling.

Disposal and recycling of used batteries

Please ensure all used batteries are disposed of and/or recycled safely and in accordance with local state regulations.

CERTIFICATION INFORMATION

ETL LISTED MARK



Intertek
5026666

**Conforms to the standard “Flexible Lighting Products”
[UL 2388:2017 Ed.2+R:28Jun2022]**

ETL is a Certification Program provided by Intertek, which is a Recognized Testing Laboratory (NRTL) in the United States, and is accredited by institutes and associations such as ANSI, A2LA, and UKAS.

The Mirador 111 Gazebo LED is ETL certified in the United States of America under Control Number 5026666

FCC INFORMATION



Supplier's Declaration of Conformity Compliance Information

Unique Identifier	
Product Description	Mirador Pergola
Model Number	111 Gazebo LED A / 111 Gazebo LED S
Trade Name	Mirador
FCC Compliance Statement	
This device complies with part 15 of the FCC Rules. Operation is subject to the following two conditions: (1) This device may not cause harmful interference, and (2) this device must accept any interference received, including interference that may cause undesired operation.	
Responsible Party - U.S. Contact Information	
Company:	Sorara Outdoor Living USA, Inc.
Address:	15271 Fairfield Ranch Rd., Ste# 180, Chino Hills, CA 91709
Telephone or internet contact information:	909-597-5930 – Hello@Sorara.com

Warning: Any changes or modifications to this unit not expressly approved by the party responsible for compliance could void the user's authority to operate the equipment.

Note: This equipment has been tested and found to comply with the limits for a Class B digital device, pursuant to part 15 of the FCC Rules. These limits are designed to provide reasonable protection against harmful interference in a residential installation. This equipment generates uses and can radiate radio frequency energy and, if not installed and used in accordance with the instructions, may cause harmful interference to radio communications. However, there is no guarantee that interference will not occur in a particular installation. If this equipment does cause harmful interference to radio or television reception, which can be determined by turning the equipment off and on, the user is encouraged to try to correct the interference by one or more of the following measures:

- Reorient or relocate the receiving antenna.
- Increase the separation between the equipment and receiver.
- Connect the equipment into an outlet on a circuit different from that to which the receiver is connected.
- Consult the dealer or an experienced radio/TV technician for help.

For remote control:

This equipment complies with FCC RF radiation exposure limits set forth for an uncontrolled environment. This device and its antenna must not be co-located or operating in conjunction with any other antenna or transmitter.

more to
enjoy

MIRADOR® is a registered trademark
of Zhejiang Zhengte Co., Ltd.
© 2024 Sorara Outdoor Living USA .
All rights reserved.



Printed on 100%
post-consumer
recycled paper



FOLLOW US ON
WWW.MIRADOROUTDOOR.COM
@miradoroutdoor @MiradorOutdoor
@miradoroutdoor @miradoroutdoor