

Product Datasheet

Model :
S-71144-BK-30W-3000



Electrical parameters

Driver	PHILIPS drive
LED CHIP	Epister Chip
Driver life span	10000H
Input voltage	240-220V, 60/50HZz

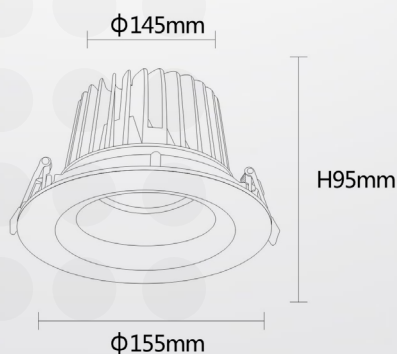
Technical general

System power	30W
Color temperature	3000
Finish color	Black
Material	ring surface is made of high quality aviation aluminum

size

Fixture size-mm	Ø95*155mm
Cut out-mm	Ø145mm

Warranty:3 year



מקX לייט בע"מ יבוא ושיווק גופי תאורה