

# Product Datasheet

Model :  
S-71151-BK-12W-4000



## Electrical parameters

Driver	With CB Lifud drive
LED CHIP	Epister SMD Chip
Driver life span	10000H
Input voltage	240-220V, 60/50HZz

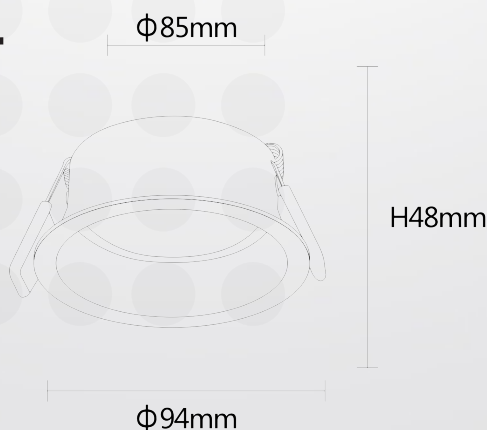
## Technical general

System power	12W
Color temperature	4000
Finish color	Black
Material	ring surface is made of high quality aviation aluminum

## size

Fixture size-mm	Ø94×H48mm
Cut out-mm	Ø85mm

Warranty:3 year



יבוא ושיווק גופי תאורה בע"מ

סקן לייט